



Chipsmall Limited consists of a professional team with an average of over 10 year of expertise in the distribution of electronic components. Based in Hongkong, we have already established firm and mutual-benefit business relationships with customers from,Europe,America and south Asia,supplying obsolete and hard-to-find components to meet their specific needs.

With the principle of “Quality Parts,Customers Priority,Honest Operation,and Considerate Service”,our business mainly focus on the distribution of electronic components. Line cards we deal with include Microchip,ALPS,ROHM,Xilinx,Pulse,ON,Everlight and Freescale. Main products comprise IC,Modules,Potentiometer,IC Socket,Relay,Connector.Our parts cover such applications as commercial,industrial, and automotives areas.

We are looking forward to setting up business relationship with you and hope to provide you with the best service and solution. Let us make a better world for our industry!



Contact us

Tel: +86-755-8981 8866 Fax: +86-755-8427 6832

Email & Skype: info@chipsmall.com Web: www.chipsmall.com

Address: A1208, Overseas Decoration Building, #122 Zhenhua RD., Futian, Shenzhen, China



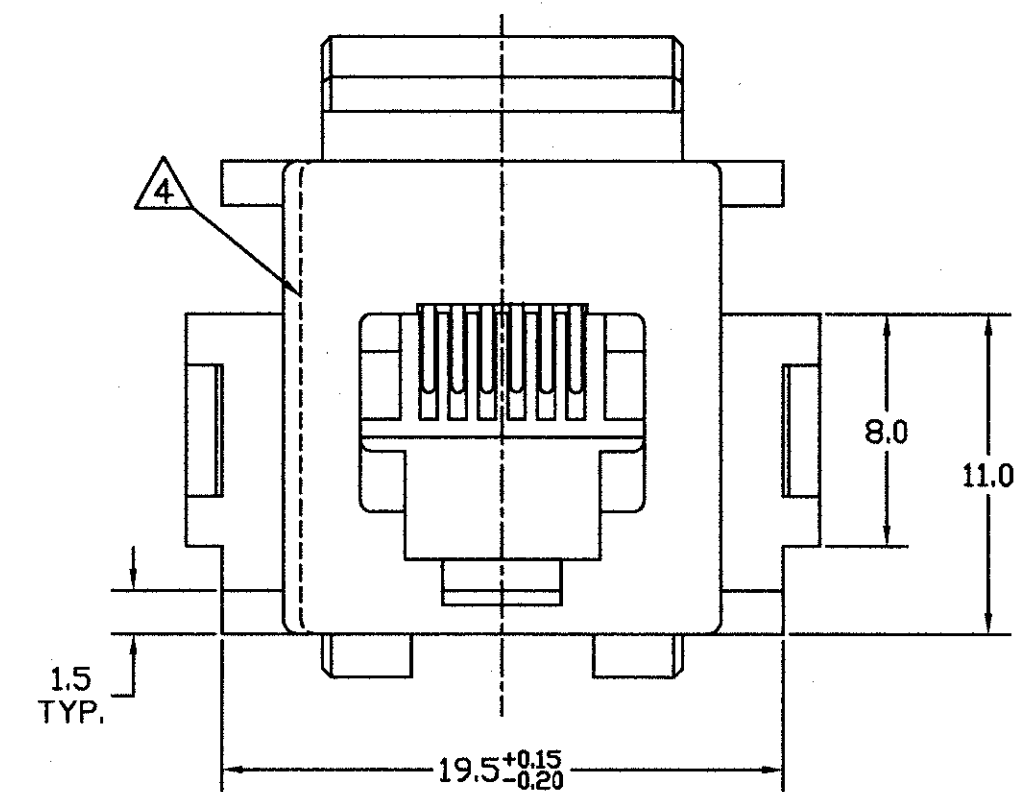
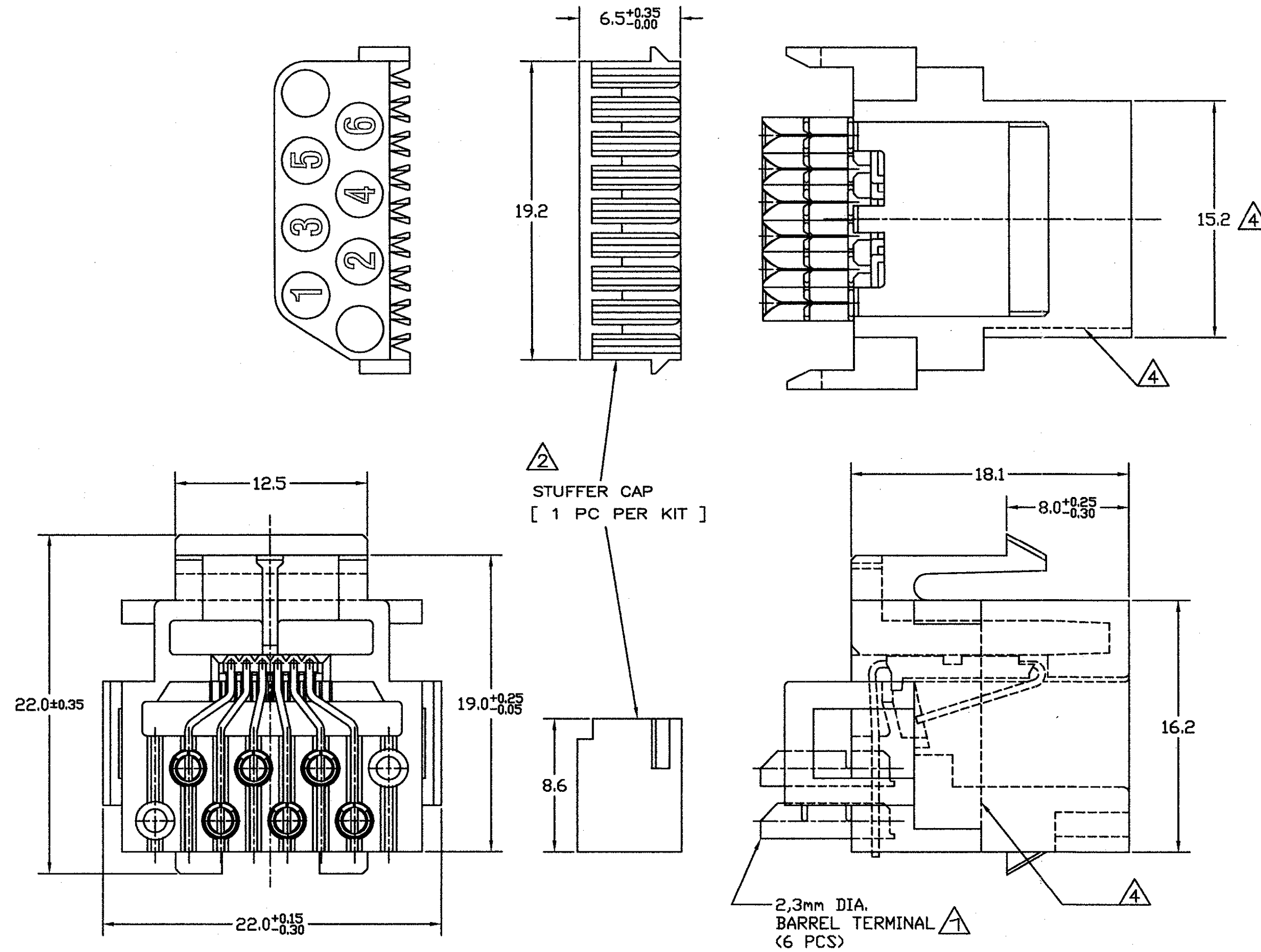
DO NOT SCALE
DIMENSIONS IN mm

METRIC



NOTES:

- △ BARREL TERMINALS WILL ACCEPT ONE OR TWO WIRES OF THE SAME SIZE PER TERMINAL.
WIRE SIZE FOR SOLID AND STRANDED WIRES:
0,12 mm² (26 AWG)–0,35 mm² (22 AWG).
MAXIMUM INSULATION DIA. 1,2 mm.
- △ 2 STUFFER CAP IS SHIPPED NOT ASSEMBLED.
- △ 3 MATERIALS: STUFFER CAP – A.B.S. UL 94HB
BARREL TERMINALS – PHOS.BRONZE, PRE-TINPLATED.
CONTACTS – PHOS.BRONZE, PLATED 1,25
SELECTIVE GOLD OVER 1,25
HOUSING – PBT, UL 94HB
- △ 4 FOR 216000-2 DIMENSION 15,2 IS 14,6 ,
CORRESPONDING WITH THE MARKED DASH LINES
- △ 5 NO STUFFER CAP INCLUDED

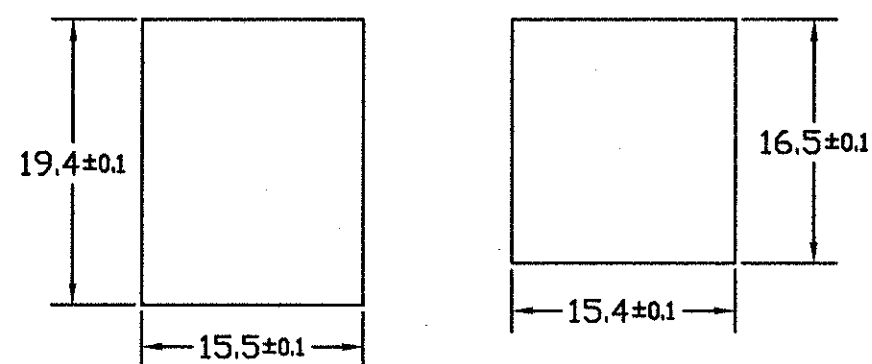


SUGGESTED PANEL CUTOUT DIMENSIONS

SCALE 2 : 1

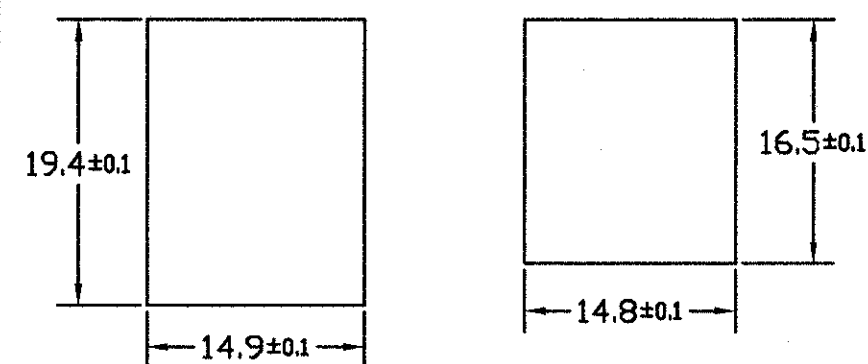
X-216000-1

X-216000-2, -3 AND -5



CUTOUT FOR BACK PANEL MOUNTING

CUTOUT FOR FRONT PANEL MOUNTING



CUTOUT FOR BACK PANEL MOUNTING

CUTOUT FOR FRONT PANEL MOUNTING

PANEL THICKNESS: 1,6 mm NOMINAL

TOLERANCE: ±0,15 UNLESS SPECIFIED OTHERWISE

OBsolete

500 PCS. IN A BOX	SEE NOTE △ 3	HOUSING COLOR: BLACK SEE NOTE △ 3	△ 5 9-216000-3 216000-2 216000-1
PACKAGING	FINISH	MATERIAL	PARTNUMBER

CUSTOMER DRAWING FOR REFERENCE ONLY WILL NOT BE UPDATED

THIS DRAWING IS UNPUBLISHED
RELEASED FOR PUBLICATION



R2	REVISED PER ECO-11-005294	RK	HMR	05APR11	TOOLLESS MODULAR JACK KIT
LTR.	REVISION RECORD	DR.	CHK.	DATE	6 POS., FOR DISCRETE WIRES
DR.: J.V.LIEMPT	CHK.: W.BRUMMANS	APP.: L. v. SOEST	DWG.No.	REV.LTR.	SHEET
DATE: 21 JAN 91	DATE:	DATE: 12 OCT 94	C-216000	R2	1 OF 1

11

10

9

8

7

6

5

4

3

2

1

A2