



Chipsmall Limited consists of a professional team with an average of over 10 year of expertise in the distribution of electronic components. Based in Hongkong, we have already established firm and mutual-benefit business relationships with customers from,Europe,America and south Asia,supplying obsolete and hard-to-find components to meet their specific needs.

With the principle of “Quality Parts,Customers Priority,Honest Operation,and Considerate Service”,our business mainly focus on the distribution of electronic components. Line cards we deal with include Microchip,ALPS,ROHM,Xilinx,Pulse,ON,Everlight and Freescale. Main products comprise IC,Modules,Potentiometer,IC Socket,Relay,Connector.Our parts cover such applications as commercial,industrial, and automotives areas.

We are looking forward to setting up business relationship with you and hope to provide you with the best service and solution. Let us make a better world for our industry!



## Contact us

Tel: +86-755-8981 8866 Fax: +86-755-8427 6832

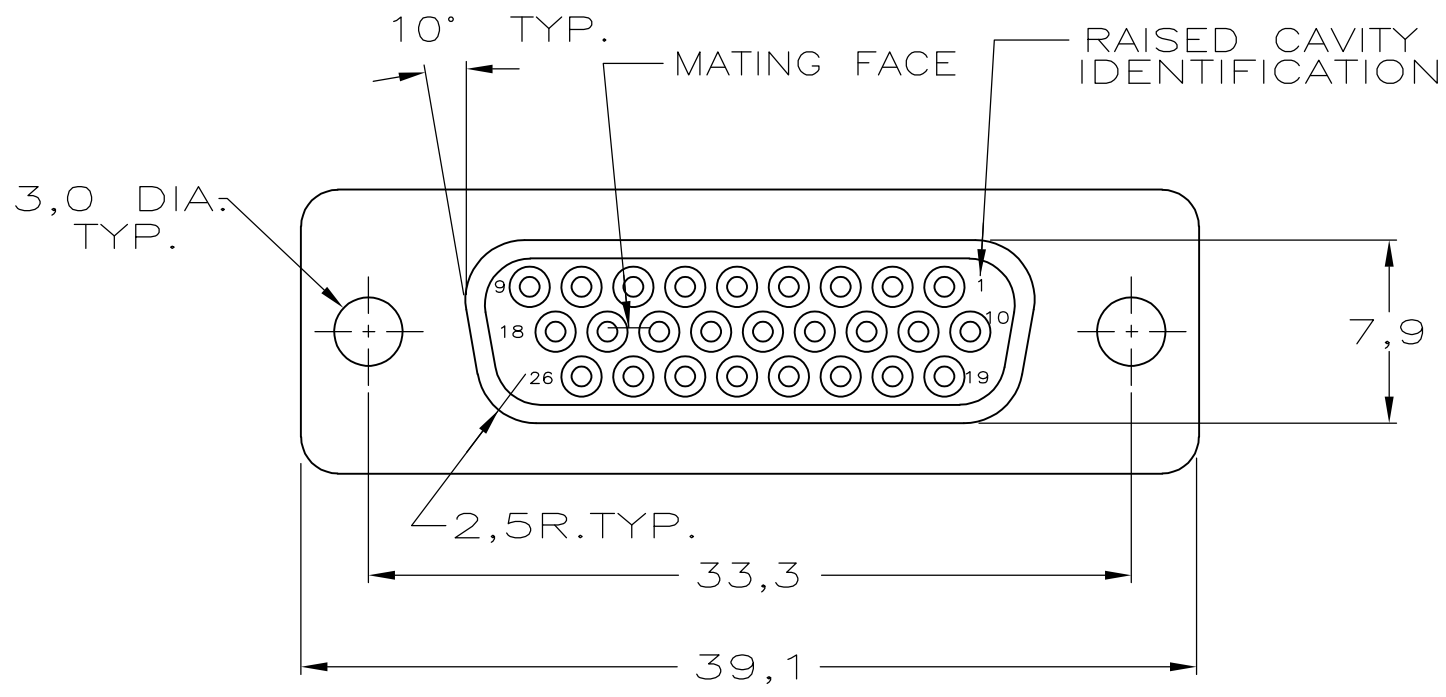
Email & Skype: info@chipsmall.com Web: www.chipsmall.com

Address: A1208, Overseas Decoration Building, #122 Zhenhua RD., Futian, Shenzhen, China



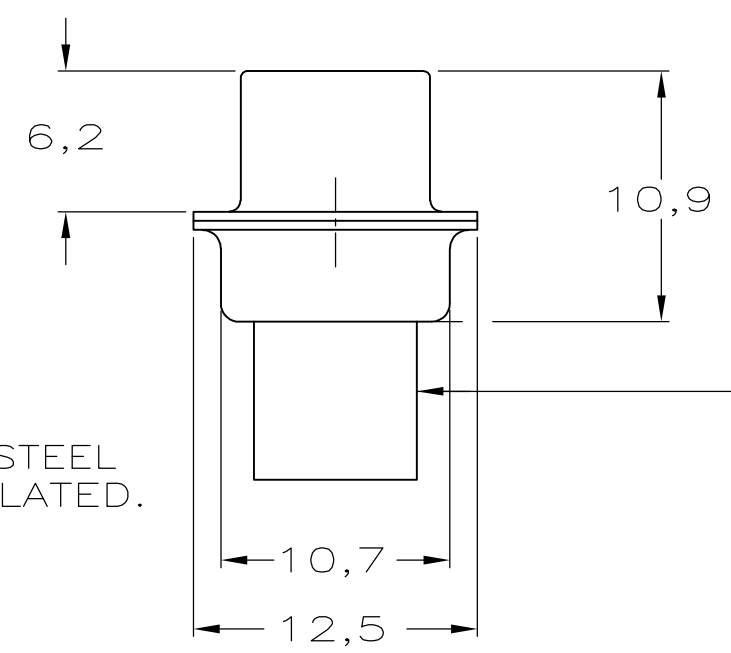
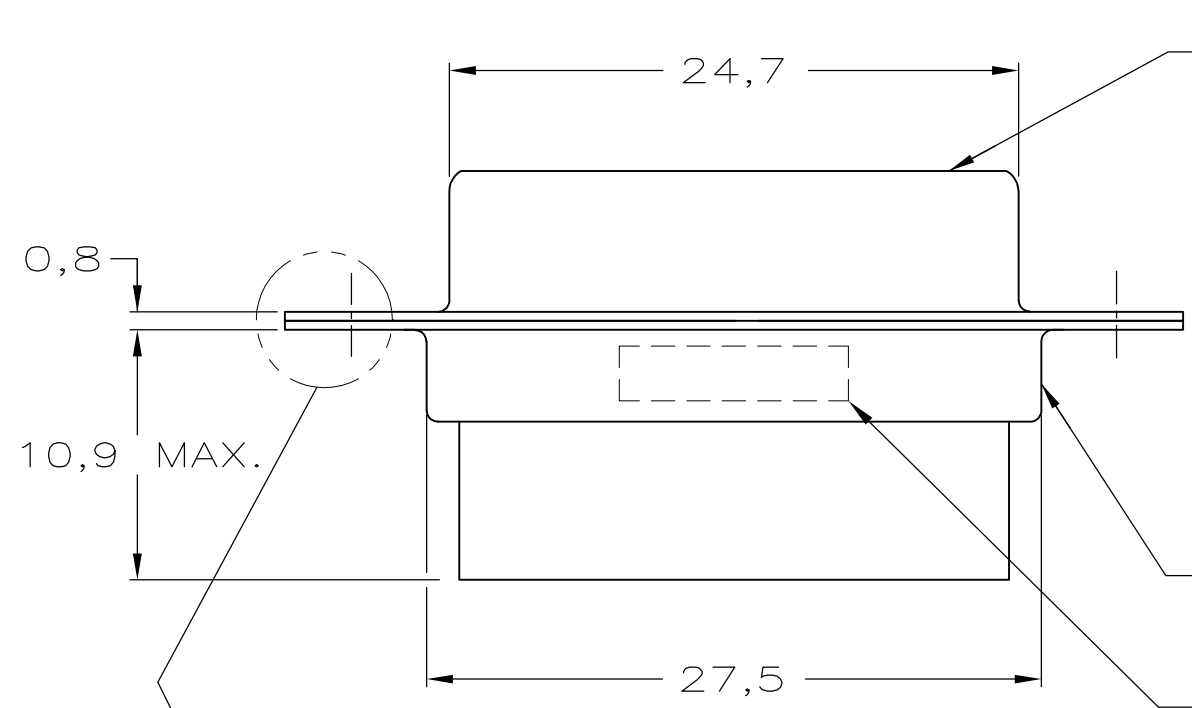
THIS DRAWING IS UNPUBLISHED. RELEASED FOR PUBLICATION  
 © COPYRIGHT - By - ALL RIGHTS RESERVED.

LOC	DIST	REVISIONS			
P	LTR	DESCRIPTION	DATE	DWN	APVD
H	-				
	O	INITIAL RELEASE	07-12-88	JvdH	LVS
	B	ECR-11-014975	25JUL11	RK	KMA



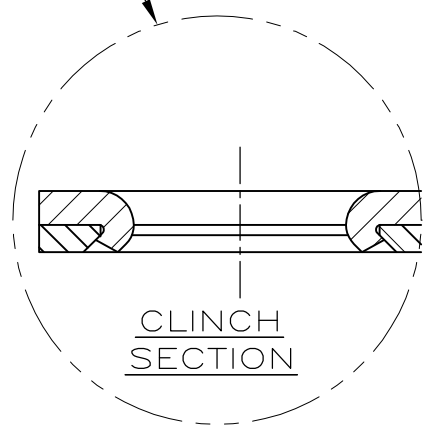
NOTES:

- 1 THIS RECEPTACLE ACCEPTS SIZE 22 REC. CONTACTS.
- 2 RETENTION TINES ARE AN INTEGRAL PART OF INSERT.
- 3 CONTACT INSERTION/REMOVAL TOOL TE P.N. 91285-1 IS RECOMMENDED FOR USE WITH THESE CONNECTORS:



INSERTS: NYLON  
 GLASS-FILLED  
 SELF-EXTINGUISHING  
 COLOR: BLACK

TE DATE CODE  
 TE PARTNO.  
 INK STAMPED



SEE DRAWING	SEE DRAWING	216165-1
FINISH	MATERIAL	PARTNUMBER

THIS DRAWING IS A CONTROLLED DOCUMENT.		DWN	07-12-88	TE Connectivity HDP-22 REC. CONNECTOR, SIZE 2, (26 POSITION)			
DIMENSIONS: mm		CHK	02-01-89				
TOLERANCES UNLESS OTHERWISE SPECIFIED:		APVD	04-01-89				
0 PLC ± - 1 PLC ± - 2 PLC ± - 3 PLC ± - 4 PLC ± - ANGLES ± -		PRODUCT SPEC	NAME				
WIRE RANGE	INSUL. RANGE	APPLICATION SPEC	WEIGHT	SIZE	CAGE CODE	DRAWING NO	RESTRICTED TO
-	-	-	-	A3	00779	C-216165	-
CUSTOMER DRAWING				SCALE	SHEET	REV	
				NTS	1 OF 1	B	