



Chipsmall Limited consists of a professional team with an average of over 10 year of expertise in the distribution of electronic components. Based in Hongkong, we have already established firm and mutual-benefit business relationships with customers from,Europe,America and south Asia,supplying obsolete and hard-to-find components to meet their specific needs.

With the principle of “Quality Parts,Customers Priority,Honest Operation,and Considerate Service”,our business mainly focus on the distribution of electronic components. Line cards we deal with include Microchip,ALPS,ROHM,Xilinx,Pulse,ON,Everlight and Freescale. Main products comprise IC,Modules,Potentiometer,IC Socket,Relay,Connector.Our parts cover such applications as commercial,industrial, and automotives areas.

We are looking forward to setting up business relationship with you and hope to provide you with the best service and solution. Let us make a better world for our industry!



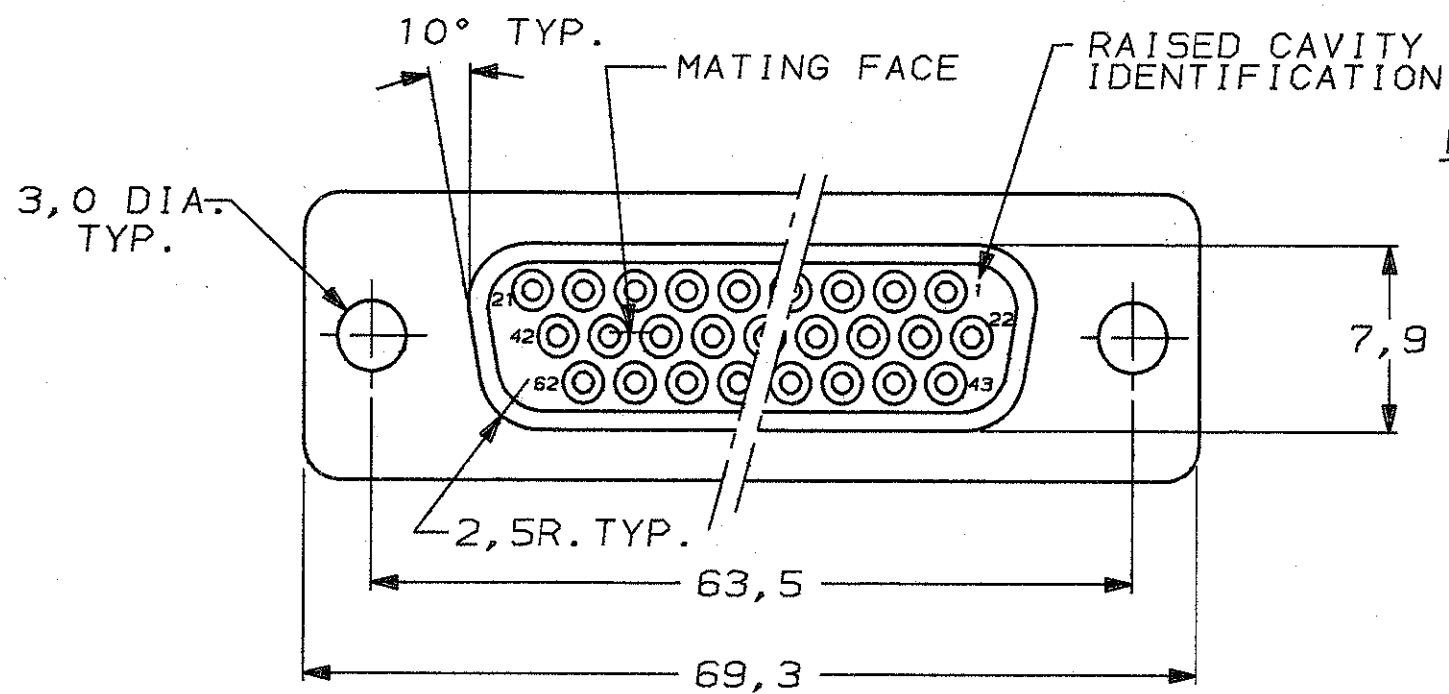
Contact us

Tel: +86-755-8981 8866 Fax: +86-755-8427 6832

Email & Skype: info@chipsmall.com Web: www.chipsmall.com

Address: A1208, Overseas Decoration Building, #122 Zhenhua RD., Futian, Shenzhen, China



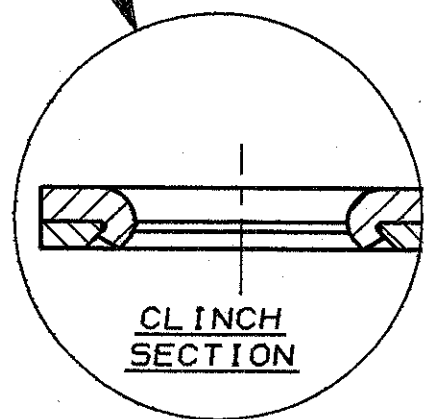
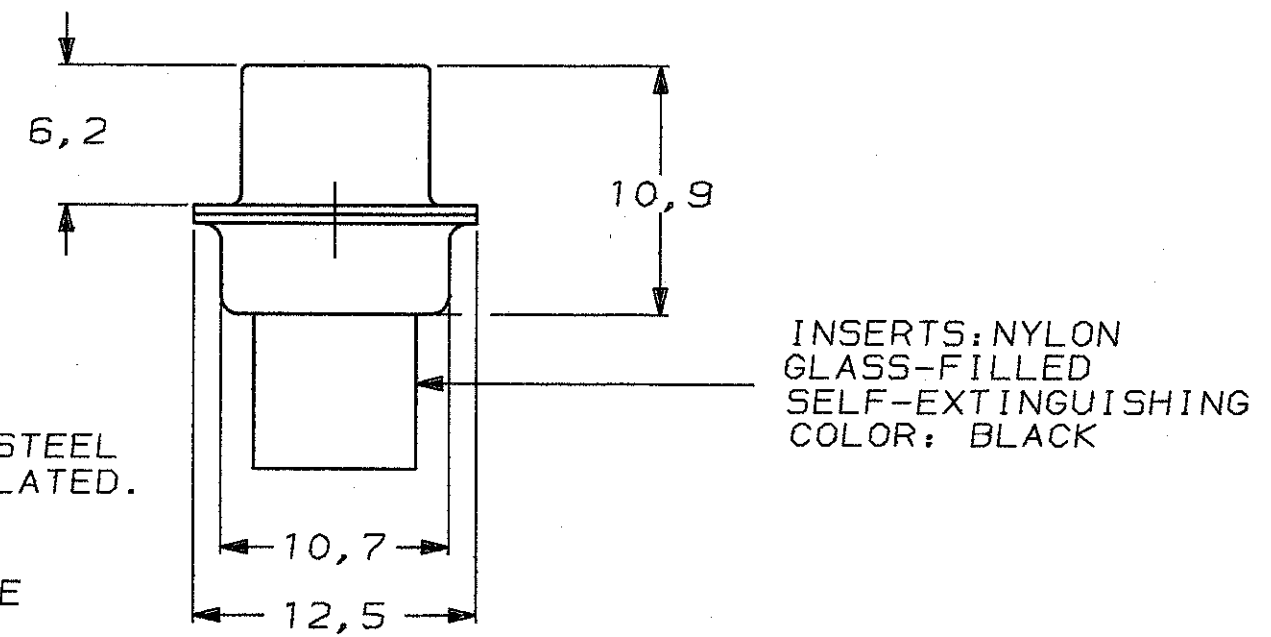
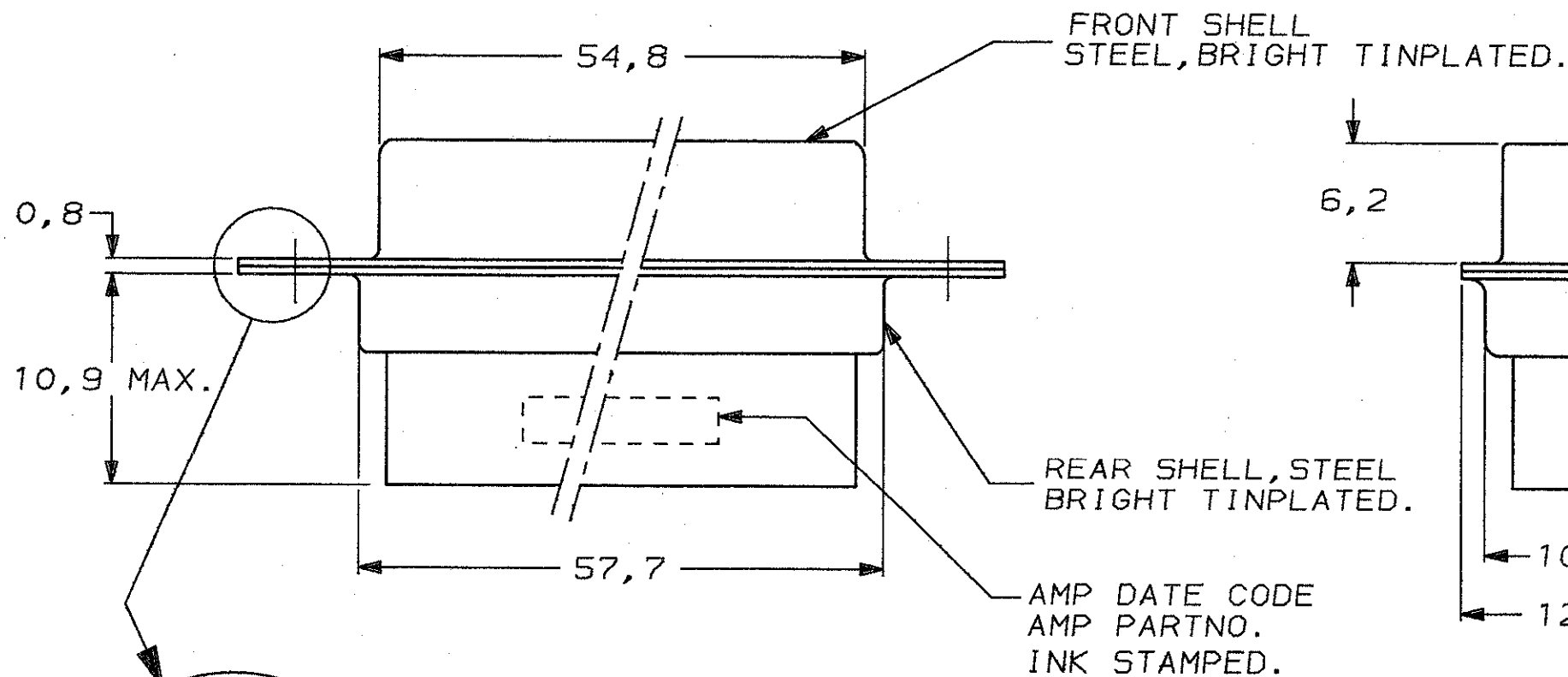


DO NOT SCALE
DIMENSIONS IN mm

METRIC



- NOTES:**
- 1 THIS RECEPTACLE ACCEPTS SIZE 22 REC. CONTACTS.
 - 2 RETENTION TINES ARE AN INTEGRAL PART OF INSERT.
 - 3 CONTACT INSERTION/REMOVAL TOOL AMP P.N. 91285-1 IS RECOMMENDED FOR USE WITH THESE CONNECTORS:



SEE DRAWING	SEE DRAWING	216167-1
FINISH	MATERIAL	PARTNUMBER
CUSTOMER DRAWING	AMP	AMP-HOLLAND B.V. 's-Hertogenbosch, The Netherlands.
FOR REFERENCE ONLY WILL NOT BE UPDATED	THIS DRAWING IS UNPUBLISHED RELEASED FOR PRODUCTION	
DR. J. V. D. HEIJDEN.	DATE 07-12-88	REV. DATE
CHK. <i>C. Tilburg</i>	DATE 2-1-89	07 12 88
APP. -	DATE 4-1-89	REV. LTR. 0
WIRE RANGE	NAME	HDP-22 REC. CONNECTOR, SIZE 4, (62 POSITION)
INSUL. RANGE	SIZE	A3
SHEET	DWG. No.	C-216167
1 OF 1		

8 7 6 5 4 3 2 1