



Chipsmall Limited consists of a professional team with an average of over 10 year of expertise in the distribution of electronic components. Based in Hongkong, we have already established firm and mutual-benefit business relationships with customers from,Europe,America and south Asia,supplying obsolete and hard-to-find components to meet their specific needs.

With the principle of “Quality Parts,Customers Priority,Honest Operation,and Considerate Service”,our business mainly focus on the distribution of electronic components. Line cards we deal with include Microchip,ALPS,ROHM,Xilinx,Pulse,ON,Everlight and Freescale. Main products comprise IC,Modules,Potentiometer,IC Socket,Relay,Connector.Our parts cover such applications as commercial,industrial, and automotives areas.

We are looking forward to setting up business relationship with you and hope to provide you with the best service and solution. Let us make a better world for our industry!



Contact us

Tel: +86-755-8981 8866 Fax: +86-755-8427 6832

Email & Skype: info@chipsmall.com Web: www.chipsmall.com

Address: A1208, Overseas Decoration Building, #122 Zhenhua RD., Futian, Shenzhen, China



DO NOT SCALE

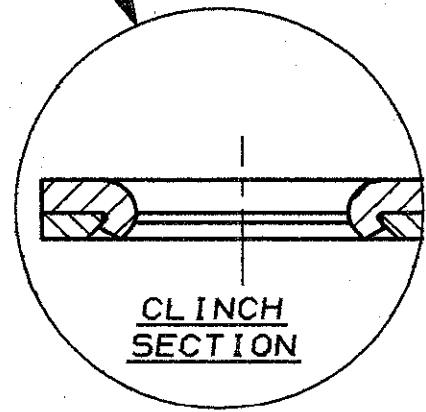
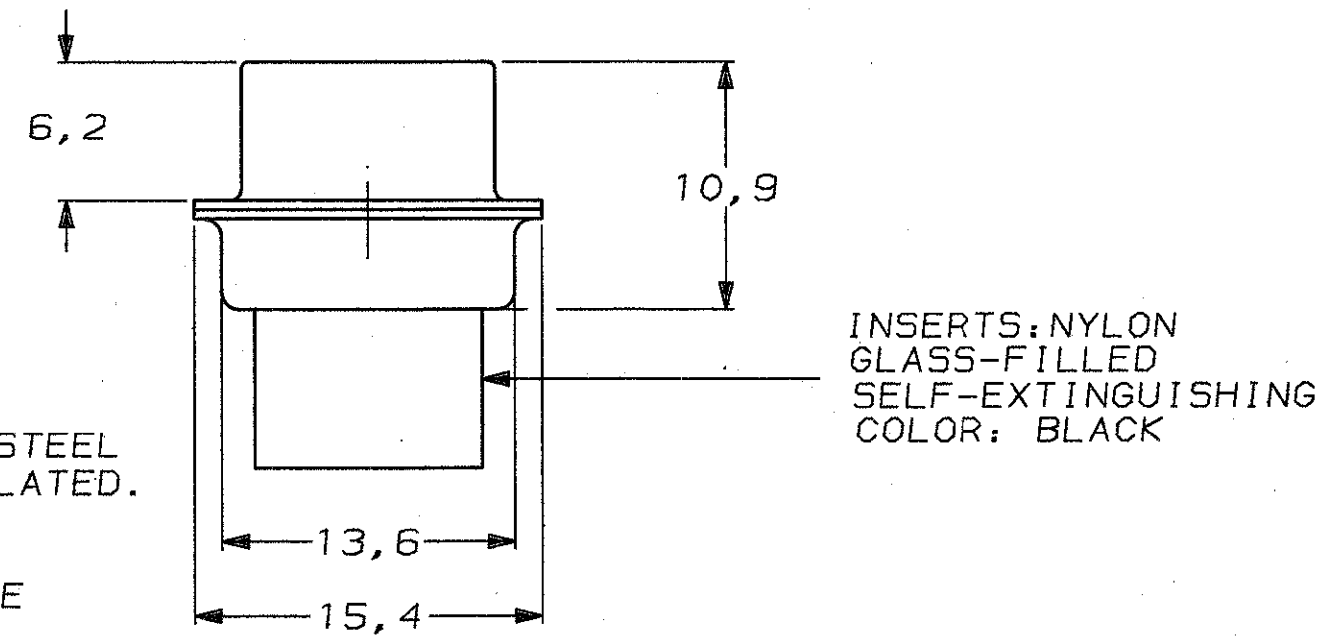
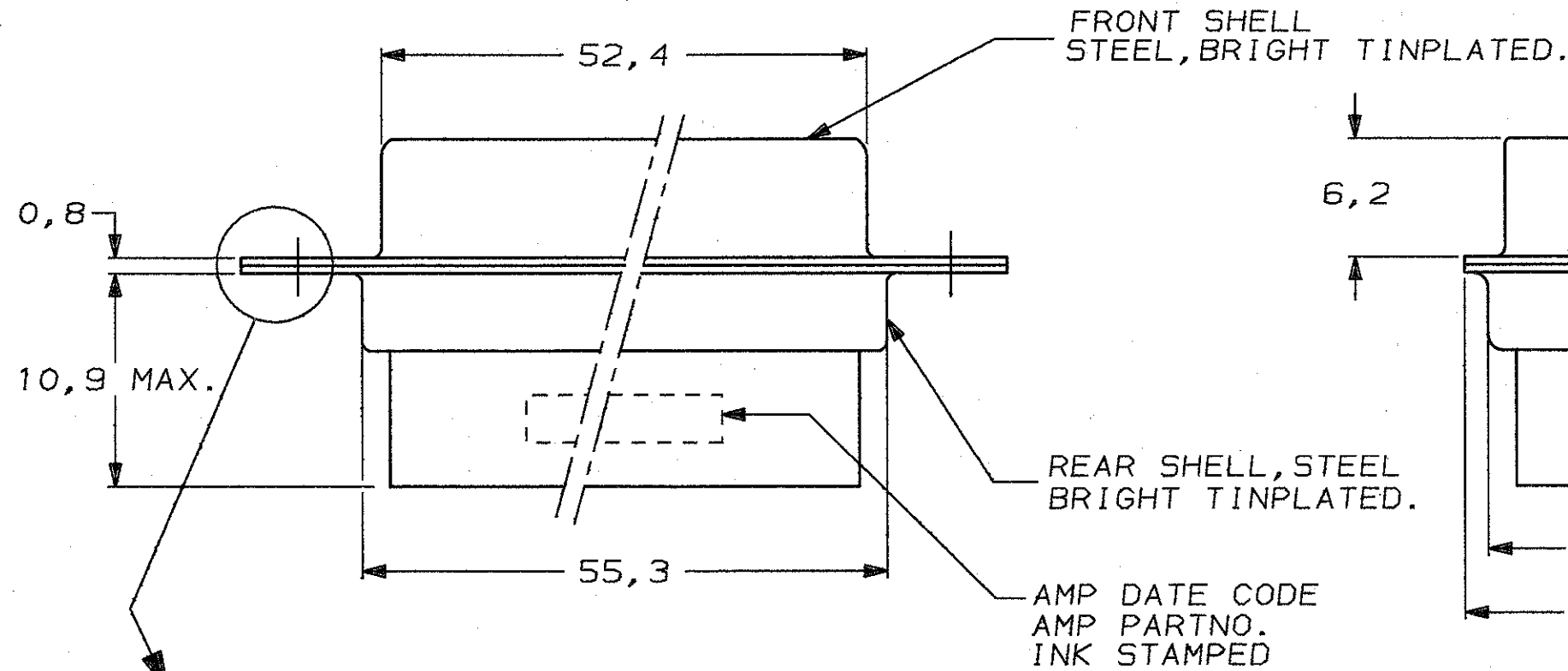
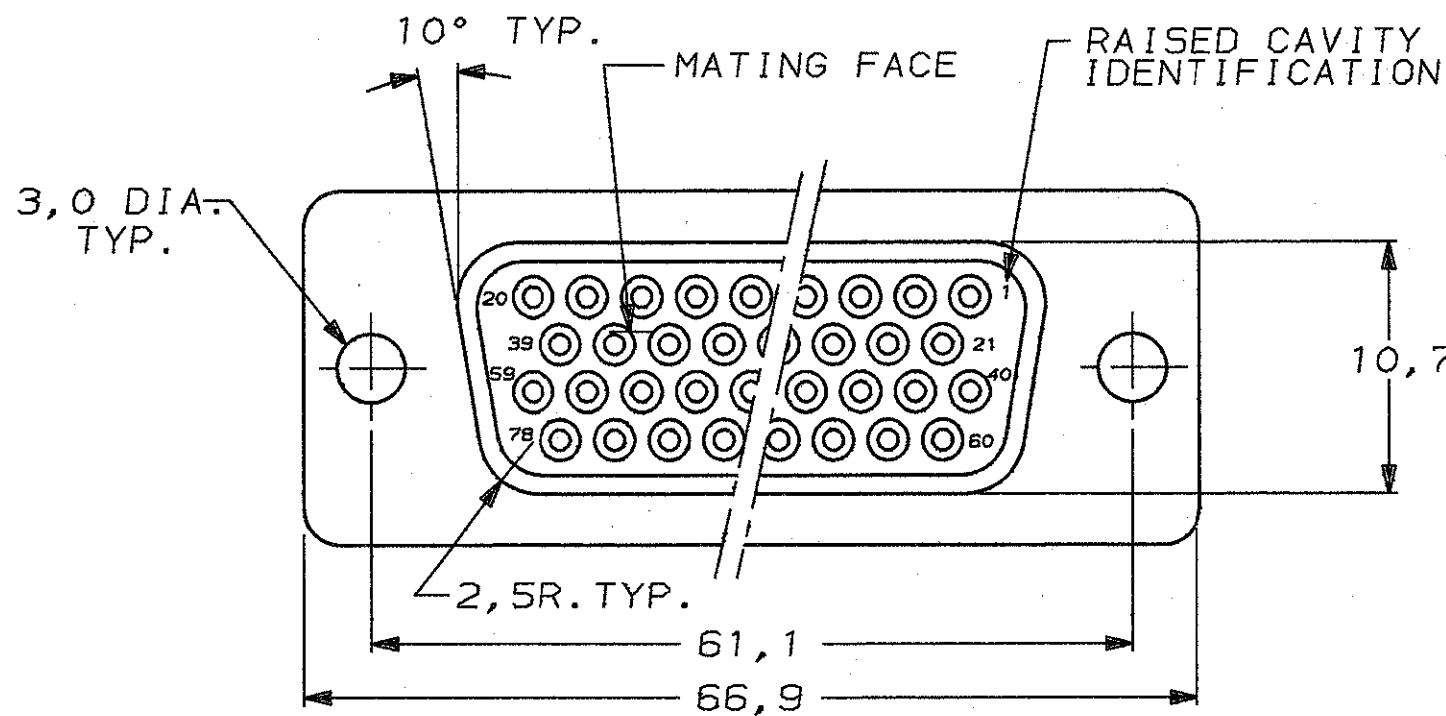
DIMENSIONS IN mm

METRIC

THIRD ANGLE
PROJECTION



- NOTES: 1 THIS RECEPTACLE ACCEPTS SIZE 22 REC. CONTACTS.
 2 RETENTION TINES ARE AN INTEGRAL PART OF INSERT.
 3 CONTACT INSERTION/REMOVAL TOOL AMP P.N. 91285-1 IS RECOMMENDED FOR USE WITH THESE CONNECTORS:



	SEE DRAWING	SEE DRAWING	216168-1
	FINISH	MATERIAL	PARTNUMBER
CUSTOMER DRAWING	AMP		AMP-HOLLAND B.V. 's-Hertogenbosch, The Netherlands.
	THIS DRAWING IS UNPUBLISHED RELEASED FOR PRODUCTION 19		
FOR REFERENCE ONLY WILL NOT BE UPDATED	© COPYRIGHT 19 - BY AMP-HOLLAND B.V. ALL INTERNATIONAL RIGHTS RESERVED. AMP PRODUCTS MAY BE COVERED BY U.S. AND FOREIGN PATENTS AND/OR PATENTS PENDING.		
DR. J.V.D.HEIJDEN.	DATE 07-12-88	WIRE RANGE -	NAME HDP-22 REC. CONNECTOR, SIZE 5, (78 POSITION)
CHK. <i>C. Wilburg</i>	DATE 2-1-89	INSUL. RANGE -	REV. DATE 19 11 87
APP. -	DATE 4.1.89	SIZE A3	SHEET 1 OF 1
		DWG. No.	C-216168
			REV. LTR. 0

8 | 7 | 6 | 5 | 4 | 3 | 2 | 1