



Chipsmall Limited consists of a professional team with an average of over 10 year of expertise in the distribution of electronic components. Based in Hongkong, we have already established firm and mutual-benefit business relationships with customers from,Europe,America and south Asia,supplying obsolete and hard-to-find components to meet their specific needs.

With the principle of “Quality Parts,Customers Priority,Honest Operation,and Considerate Service”,our business mainly focus on the distribution of electronic components. Line cards we deal with include Microchip,ALPS,ROHM,Xilinx,Pulse,ON,Everlight and Freescale. Main products comprise IC,Modules,Potentiometer,IC Socket,Relay,Connector.Our parts cover such applications as commercial,industrial, and automotives areas.

We are looking forward to setting up business relationship with you and hope to provide you with the best service and solution. Let us make a better world for our industry!



Contact us

Tel: +86-755-8981 8866 Fax: +86-755-8427 6832

Email & Skype: info@chipsmall.com Web: www.chipsmall.com

Address: A1208, Overseas Decoration Building, #122 Zhenhua RD., Futian, Shenzhen, China

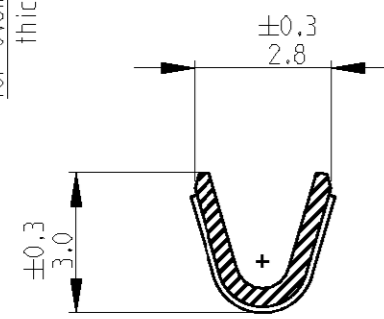
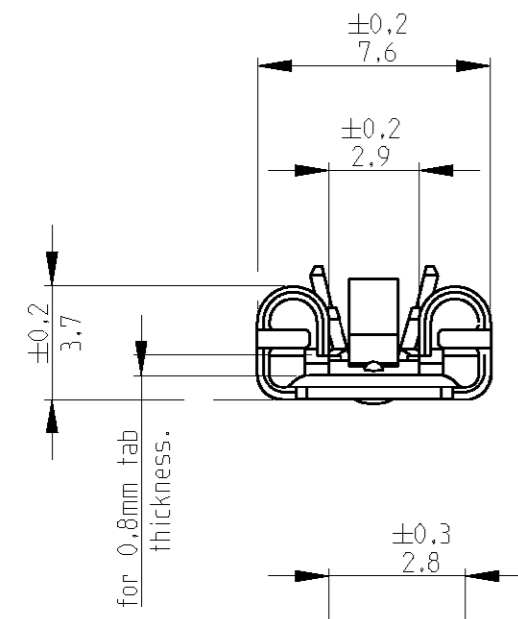
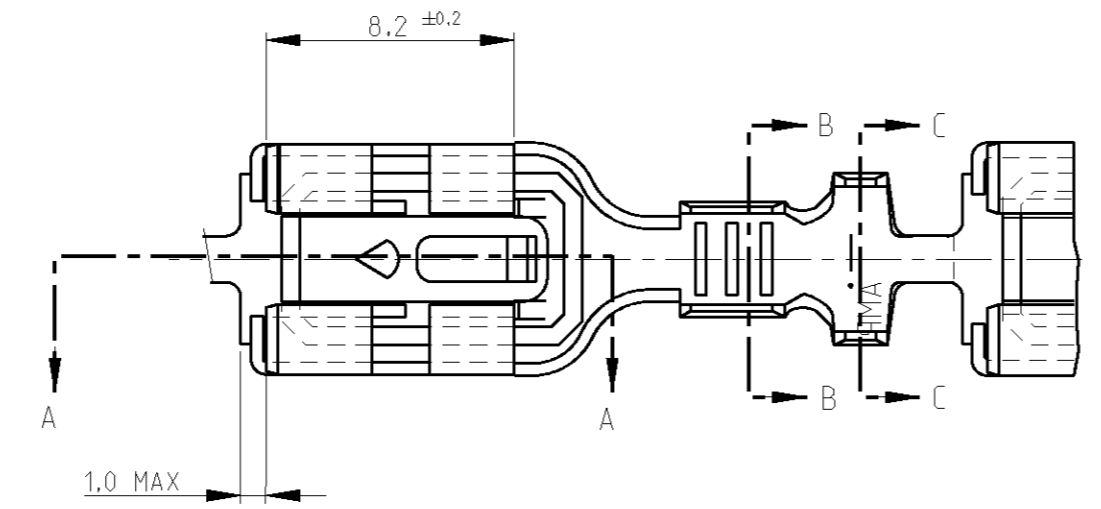


LTR	DESCRIPTION	DWN	APPD	DATE
K1	ECO-09-025714	KK	AEG	17DEC09

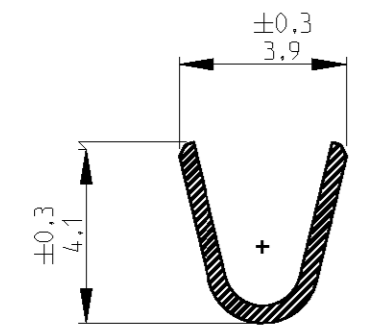
NOTES :

- FOR USE ON MINI HD APPLICATOR (LEFT - RIGHT FEED).
- TINPLATING THICKNESS .000080 MIN - .000400 MAX. (INCH).
- MATERIAL PH.BRONZE ACC ASTM B103 ALLOY 511.
- REAR ROLLING MUST TOUCH TAB.

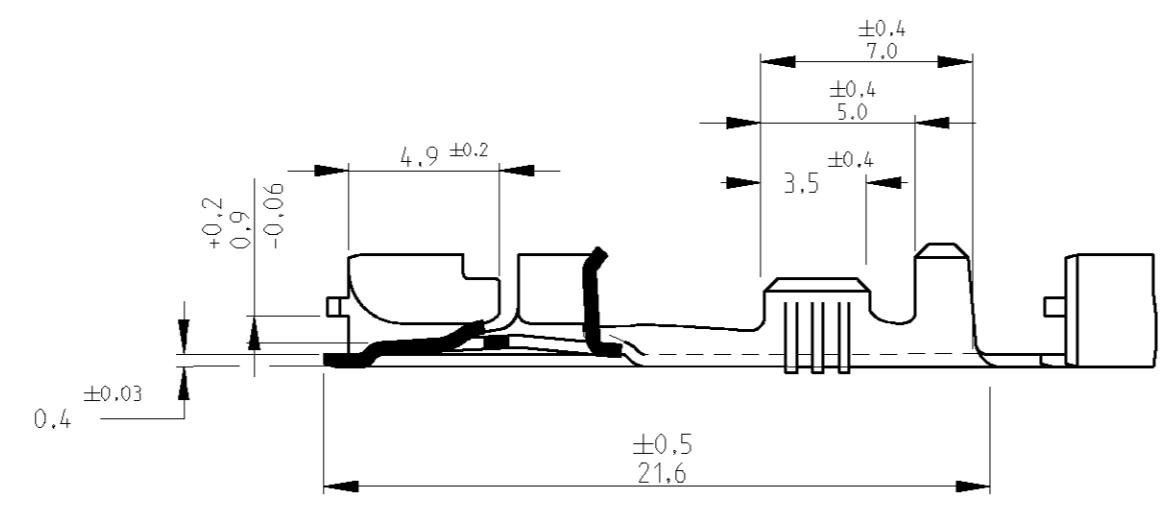
5 OBSOLETE PARTS: OBSOLETE CIS STREAMLINING PER D.RENAUD/D.SINISI



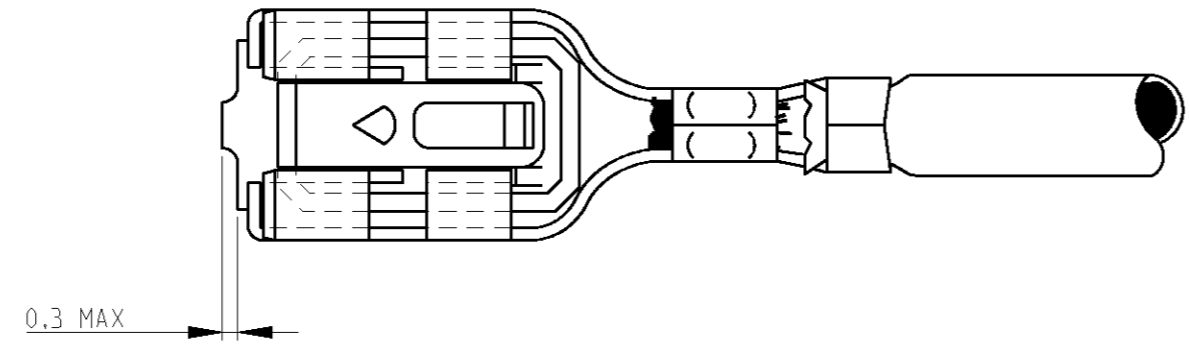
SECTION B - B



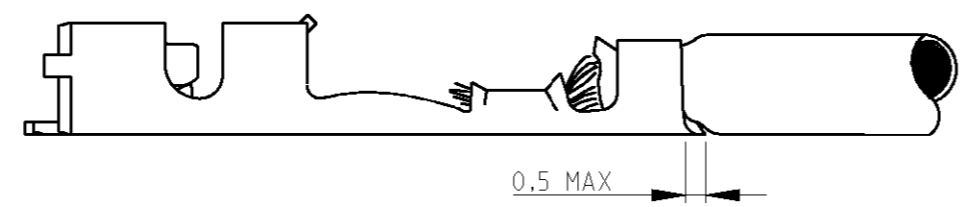
SECTION C - C



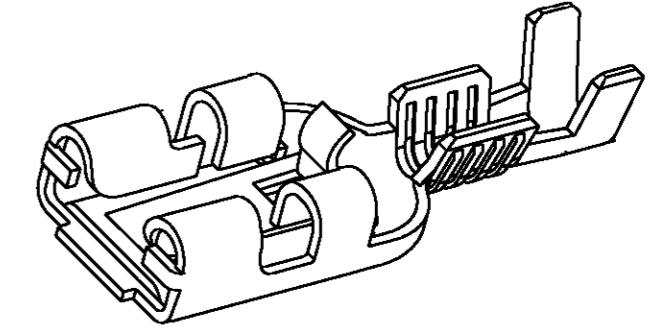
SECTION A - A



0.3 MAX



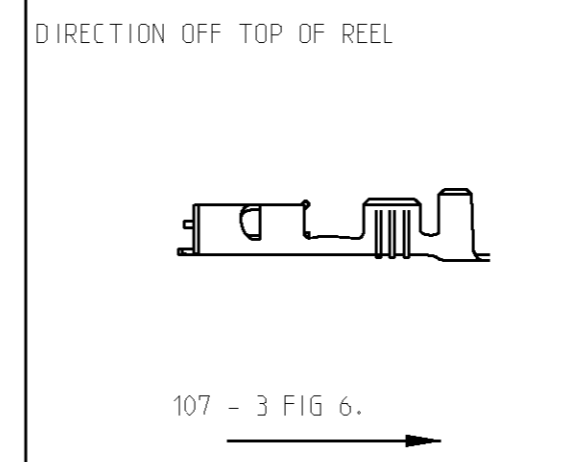
0.5 MAX



WIRE	CRIMP HEIGHT	CRIMP WIDTH
0.5mm?	1.43mm	.080 'F'
0.75mm?	1.52mm	.080 'F'
1.0mm?	1.61mm	.080 'F'

5 OBSOLETE

100015-4	PRE-TINPLATED	PH.BRONZE	216329-4
100015-3	SILVERPLATED	PH.BRONZE	216329-3
100015-2	TINPLATED	PH.BRONZE	216329-2
100015-1	UNPLATED	PH.BRONZE	216329-1
LOOSE PIECE NR.	FINISH	MATERIAL	PARTNUMBER



tyco Electronics TYCO ELECTRONICS AMP ESPAÑOLA S.A. BARCELONA ESPAÑA

THIS DRAWING IS UNPUBLISHED CUSTOMER DRAWING

FOR REFERENCE ONLY WILL NOT BE UPDATED

© COPYRIGHT 2002 BY AMP-SPAIN ALL INTERNATIONAL RIGHTS RESERVED. AMP PRODUCTS MAY BE COVERED BY U.S. AND FOREIGN PATENTS AND/OR PATENTS PENDING.

DR. R.v.Lokven	DATE 24.04.89	WIRE RANGE 0.5-1.0mm?	NAME .250 L.I.F AUTOMOTIVE POS LOCK REC MKII.	REV. DATE D M Y
CHK. R.v.Lokven	DATE 24.04.89	INSUL.RANGE 1.4-2.3 DIA		17 12 09
APP. L.v.Soest	DATE 26-11-89	SIZE A2	SHEET 1 OF 1	DWG. No. C-216329
				REV.LTR. K1