



Chipsmall Limited consists of a professional team with an average of over 10 year of expertise in the distribution of electronic components. Based in Hongkong, we have already established firm and mutual-benefit business relationships with customers from,Europe,America and south Asia,supplying obsolete and hard-to-find components to meet their specific needs.

With the principle of “Quality Parts,Customers Priority,Honest Operation,and Considerate Service”,our business mainly focus on the distribution of electronic components. Line cards we deal with include Microchip,ALPS,ROHM,Xilinx,Pulse,ON,Everlight and Freescale. Main products comprise IC,Modules,Potentiometer,IC Socket,Relay,Connector.Our parts cover such applications as commercial,industrial, and automotives areas.

We are looking forward to setting up business relationship with you and hope to provide you with the best service and solution. Let us make a better world for our industry!



## Contact us

Tel: +86-755-8981 8866 Fax: +86-755-8427 6832

Email & Skype: info@chipsmall.com Web: www.chipsmall.com

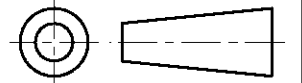
Address: A1208, Overseas Decoration Building, #122 Zhenhua RD., Futian, Shenzhen, China



DO NOT SCALE  
DIMENSIONS IN mm

METRIC

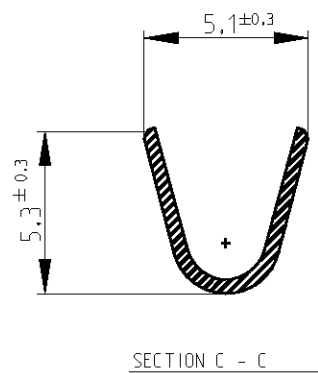
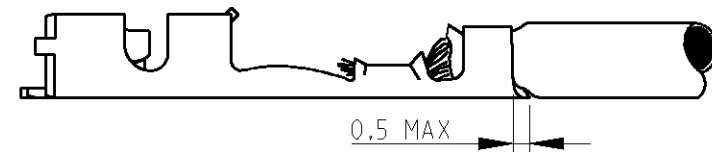
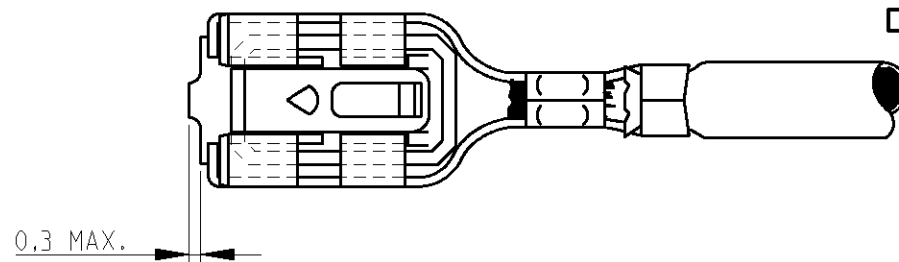
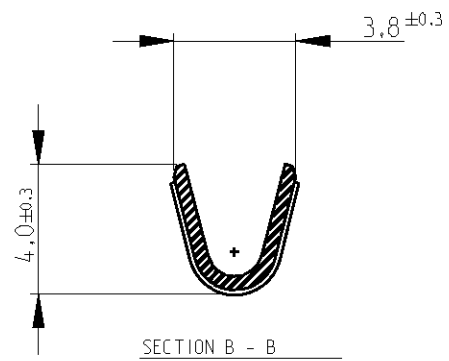
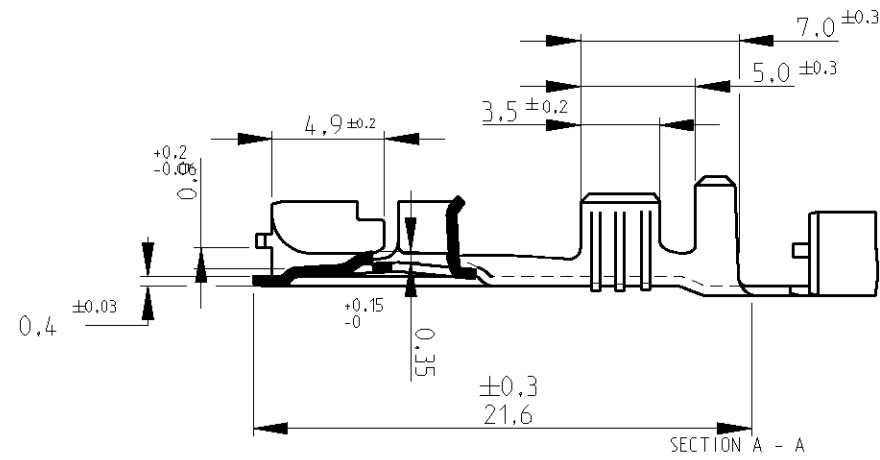
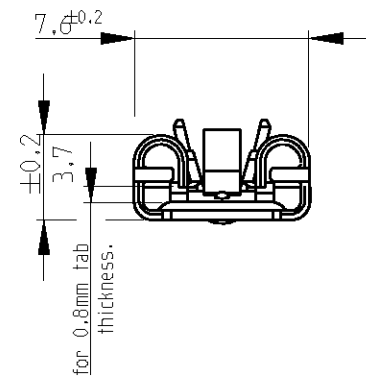
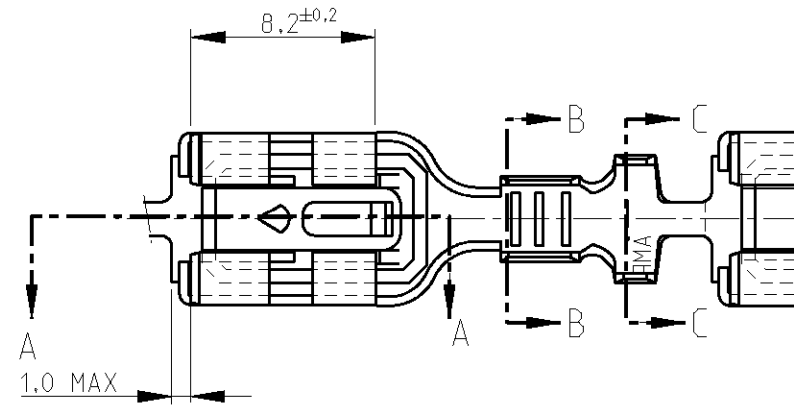
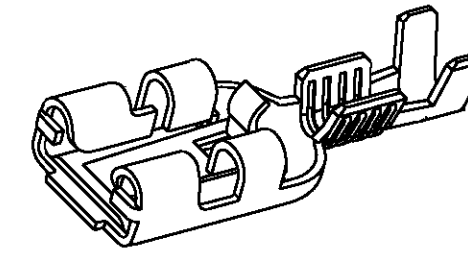
THIRD ANGLE  
PROJECTION



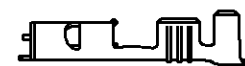
NOTES :

- FOR USE ON MINI HD APPLICATOR ( LEFT - RIGHT FEED ).
- TINPLATING THICKNESS .000080 MIN - .000400 MAX. (INCH).
- MATERIAL PH.BRONZE ACC. AMP-SPEC 100-221.

**4** OBSOLETE PARTS: OBSOLETE CIS STREAMLINING  
PER D.RENAUD/D.SINISI



DIRECTION OFF TOP OF REEL



107 - 3 FIG 6.

WIRE RANGE :	>1.0-2.5 mm <sup>2</sup>
INSULATION RANGE :	2.1-3.1 DIA.

WIRE	CRIMP HEIGHT	CRIMP WIDTH
1.5mm?	1.76mm	.110 'F'
2.0mm?	1.90mm	.110 'F'
2.5mm?	2.04mm	.110 'F'

<b>4</b>	100016-4	PRE-TINPLATED	PH.BRONZE	216330-4
<b>4</b>	100016-3	SILVERPLATED	PH.BRONZE	<del>216330-3</del>
	100016-2	TINPLATED	PH.BRONZE	216330-2
	100016-1	UNPLATED	PH.BRONZE	216330-1
	LOOSE PIECE NR.	FINISH	MATERIAL	PARTNUMBER

-	-	-	-	-	CUSTOMER DRAWING		FOR REFERENCE ONLY WILL NOT BE UPDATED	
-	-	-	-	-	© COPYRIGHT 19 - BY Tyco. ELECTRONICS AMP ESPAÑOLA S.A. ALL INTERNATIONAL RIGHTS RESERVED. AMP PRODUCTS MAY BE COVERED BY U.S. AND FOREIGN AND/OR PATENTS PENDING.			
-	-	-	-	-	Tyco Electronics AMP Española S.A. BARCELONA / ESPAÑA NAME .250 L.I.F. AUTOMOTIVE POS. LOCK REC. MKII			
A1	REVISED PER ECO-09-025714	KK	AEG	DEC09				
A	REVISED PER EC ES00-0029-03	J.L	J.L	28FEB03				
0	EH-0285-94	JvL	HvdS	26-04-94				
LTR	REVISION RECORD	DR.	CHK.	DATE				
DR.:	J.v.LIEMPT	CHK.:	H.v.d.STEEN	APP.:	L.v.SOEST	DWG.No.	REV.LTR.	SHEET
DATE:	26 APR 94	DATE:	-	DATE:	-	C-216330	A1	1 OF 1