



Chipsmall Limited consists of a professional team with an average of over 10 year of expertise in the distribution of electronic components. Based in Hongkong, we have already established firm and mutual-benefit business relationships with customers from,Europe,America and south Asia,supplying obsolete and hard-to-find components to meet their specific needs.

With the principle of “Quality Parts,Customers Priority,Honest Operation,and Considerate Service”,our business mainly focus on the distribution of electronic components. Line cards we deal with include Microchip,ALPS,ROHM,Xilinx,Pulse,ON,Everlight and Freescale. Main products comprise IC,Modules,Potentiometer,IC Socket,Relay,Connector.Our parts cover such applications as commercial,industrial, and automotives areas.

We are looking forward to setting up business relationship with you and hope to provide you with the best service and solution. Let us make a better world for our industry!



## Contact us

Tel: +86-755-8981 8866 Fax: +86-755-8427 6832

Email & Skype: info@chipsmall.com Web: www.chipsmall.com

Address: A1208, Overseas Decoration Building, #122 Zhenhua RD., Futian, Shenzhen, China

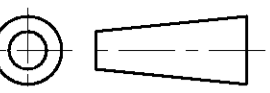


DO NOT SCALE

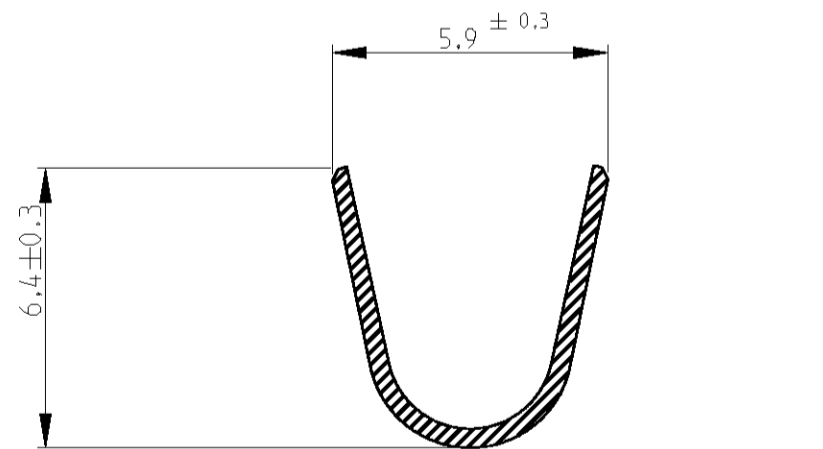
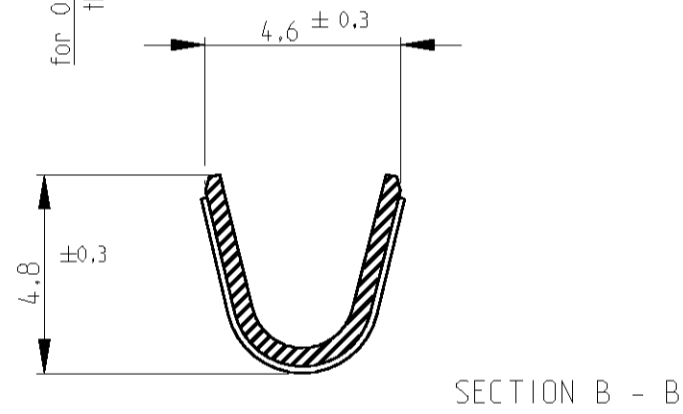
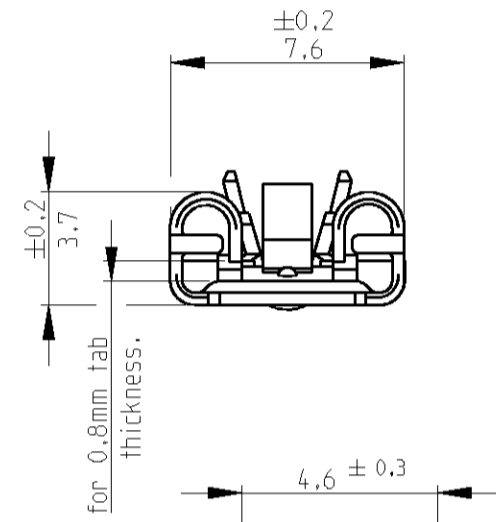
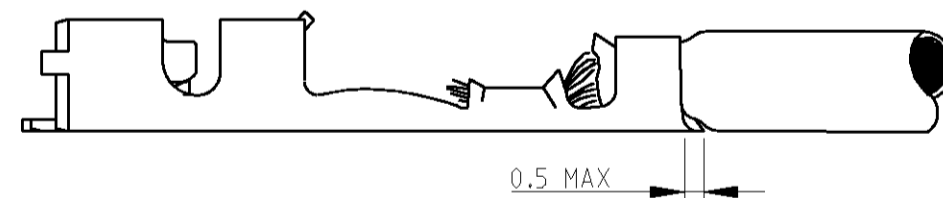
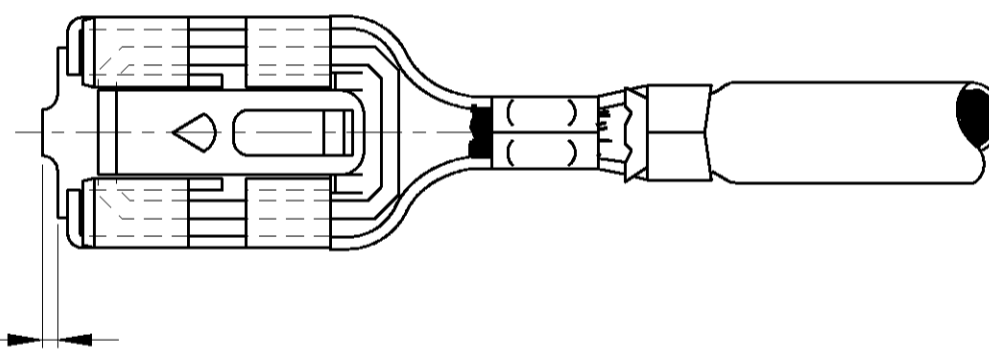
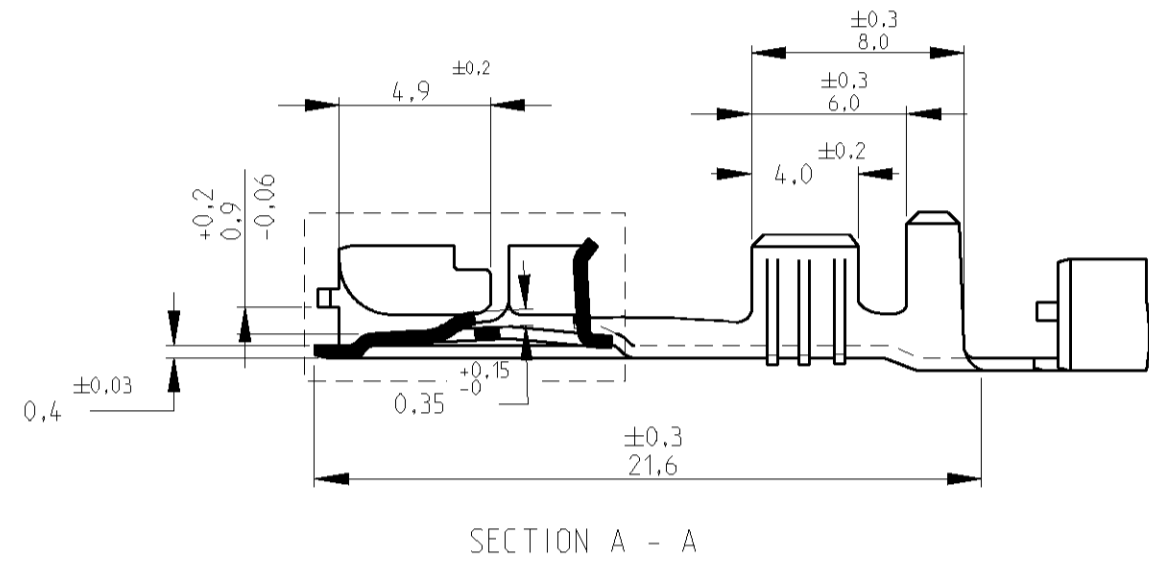
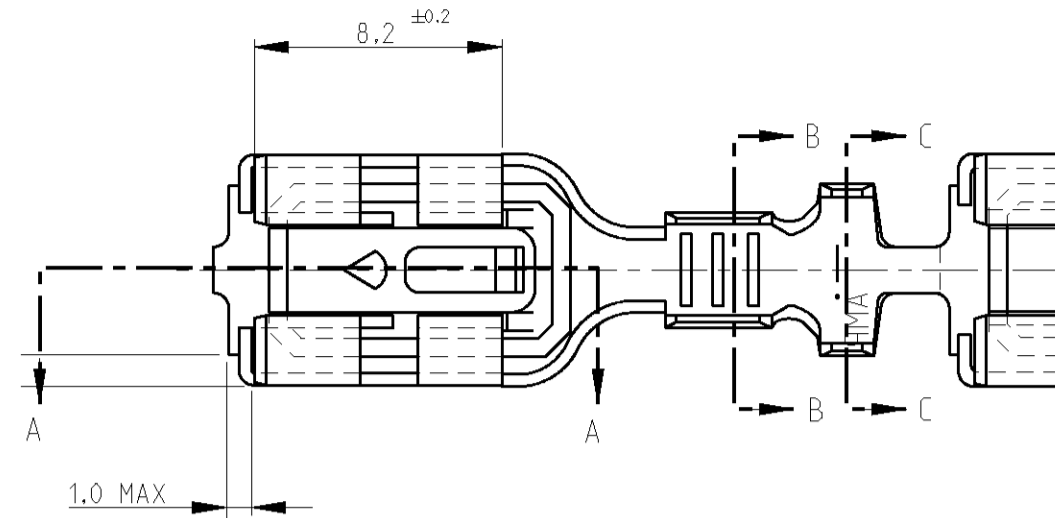
DIMENSIONS IN mm

METRIC

THIRD ANGLE  
PROJECTION

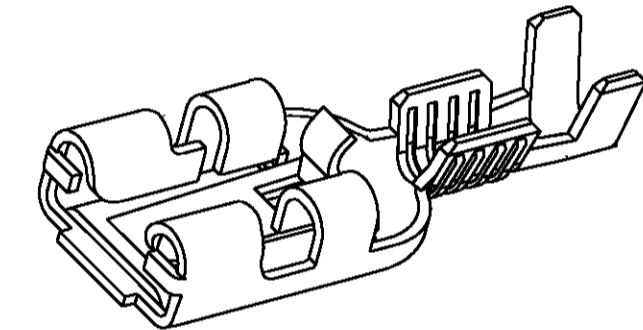


LOC	DIST	REVISIONS			
P	LTR	DESCRIPTION	DATE	DWN	APVD
AD	47	L1	REVISED PER ECO-09-026346	26NOV09	KK AEG



NOTES :

- FOR USE ON MINI HD APPLICATOR ( LEFT - RIGHT FEED ).
- TINPLATING THICKNESS .000080 MIN - .000400 MAX. (INCH).
- MATERIAL PH.BRONZE ACC ASTM B103 ALLOY 511.
- REAR ROLLING MUST TOUCH TAB.
- OBsolete PARTS: OBSOLETE CIS STREAMLINING PER D.RENAUD/D.SINISI**



WIRE	CRIMP HEIGHT	CRIMP WIDTH
3.0mm?	2.16mm	.130 'F'
3.5mm?	2.27mm	.130 'F'
4.0mm?	2.38mm	.130 'F'

5 OBsolete		100017-4	PRE-TINPLATED	PH.BRONZE	216331-4	
		100017-3	SILVERPLATED	PH.BRONZE	216331-3	
		100017-2	TINPLATED	PH.BRONZE	216331-2	
		100017-1	UNPLATED	PH.BRONZE	216331-1	
		LOOSE PIECE NR.	FINISH	MATERIAL	PARTNUMBER	
CUSTOMER DRAWING FOR REFERENCE ONLY WILL NOT BE UPDATED		<b>tyco</b> Electronics		TYCO ELECTRONICS AMP ESPAÑOLA S.A BARCELONA ESPAÑA		
		THIS DRAWING IS UNPUBLISHED		CUSTOMER DRAWING		
DIRECTION OFF TOP OF REEL  107 - 3 FIG 6.		© COPYRIGHT 2002 - BY AMP-ESPAÑOLA ALL INTERNATIONAL RIGHTS RESERVED. AMP PRODUCTS MAY BE COVERED BY U.S. AND FOREIGN PATENTS AND/OR PATENTS PENDING.				
		DR.	DATE	WIRE RANGE	NAME	REV. DATE
		R.v.Lokven	24.04.89	+2.5-4.0mm?	.250 L.I.F AUTOMOTIVE POS LOCK REC MKII.	D M Y
		CHK.	DATE	INSUL.RANGE		
R.v.Lokven	24.04.89	3.0-4.2 DIA				
APP.	DATE	SIZE	SHEET	DWG. No.	REV.LTR.	
L.v.Soest	26-11-89	A2	1 OF 1	C-216331	L1	