



Chipsmall Limited consists of a professional team with an average of over 10 year of expertise in the distribution of electronic components. Based in Hongkong, we have already established firm and mutual-benefit business relationships with customers from,Europe,America and south Asia,supplying obsolete and hard-to-find components to meet their specific needs.

With the principle of “Quality Parts,Customers Priority,Honest Operation,and Considerate Service”,our business mainly focus on the distribution of electronic components. Line cards we deal with include Microchip,ALPS,ROHM,Xilinx,Pulse,ON,Everlight and Freescale. Main products comprise IC,Modules,Potentiometer,IC Socket,Relay,Connector.Our parts cover such applications as commercial,industrial, and automotives areas.

We are looking forward to setting up business relationship with you and hope to provide you with the best service and solution. Let us make a better world for our industry!



## Contact us

Tel: +86-755-8981 8866 Fax: +86-755-8427 6832

Email & Skype: info@chipsmall.com Web: www.chipsmall.com

Address: A1208, Overseas Decoration Building, #122 Zhenhua RD., Futian, Shenzhen, China

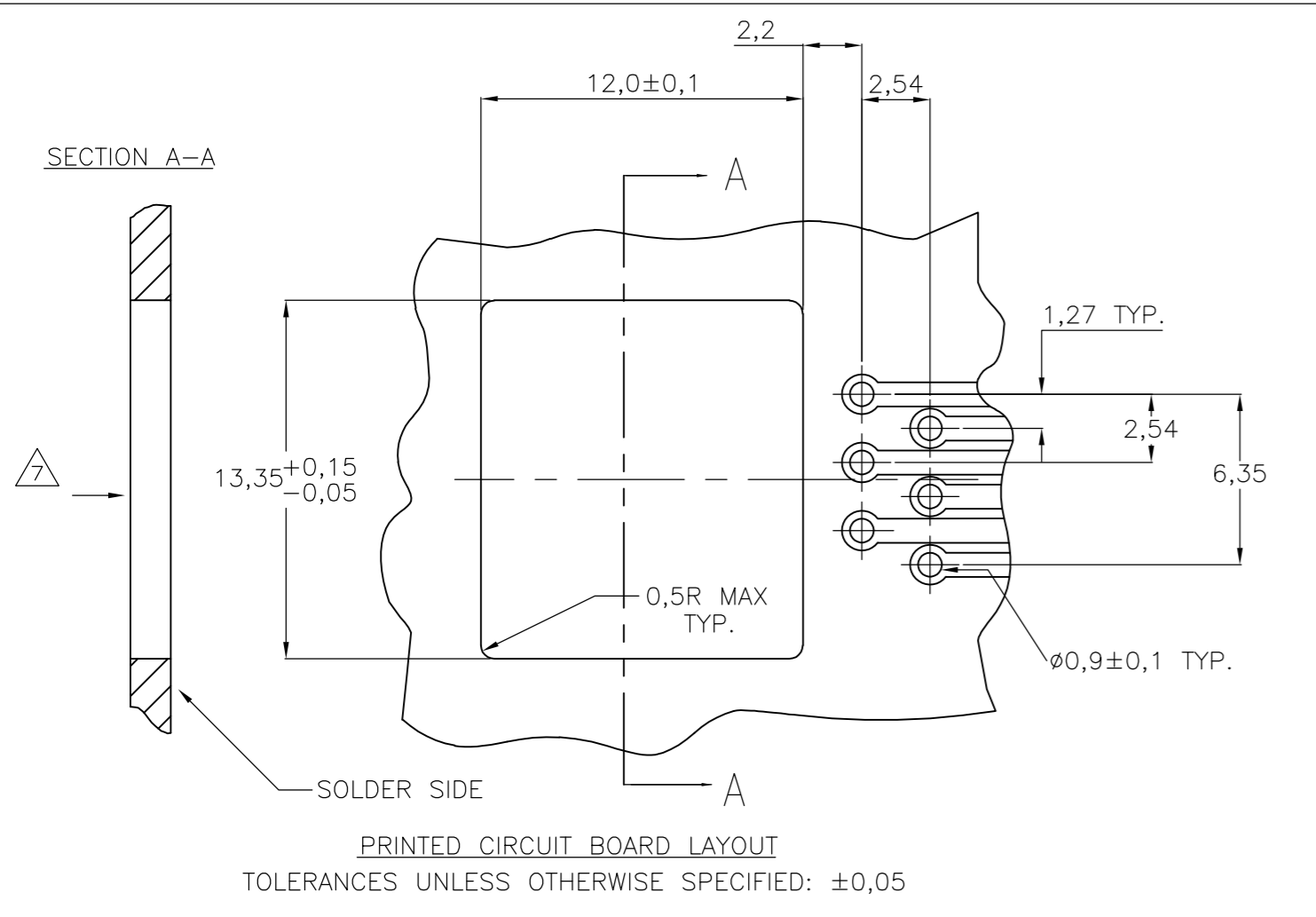
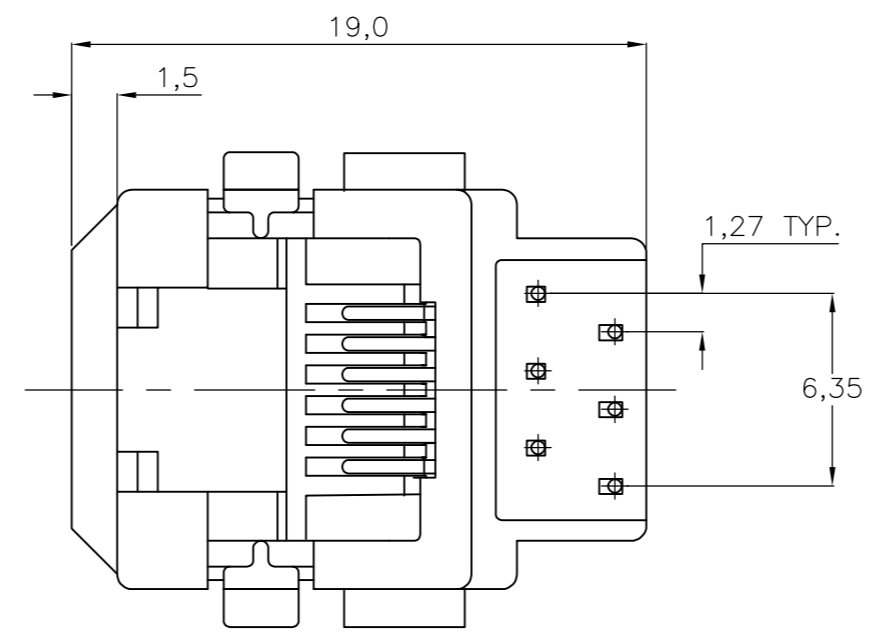
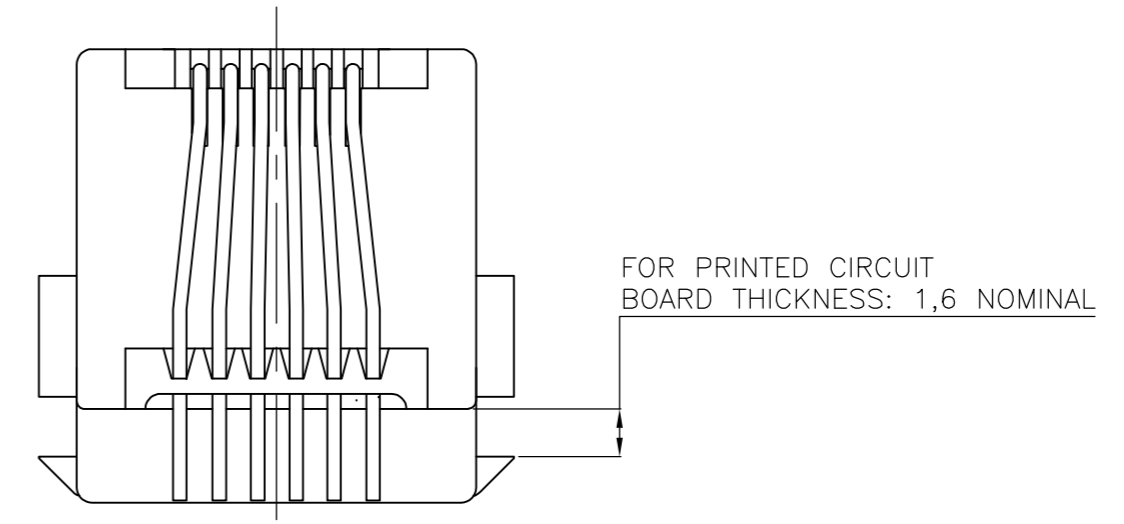
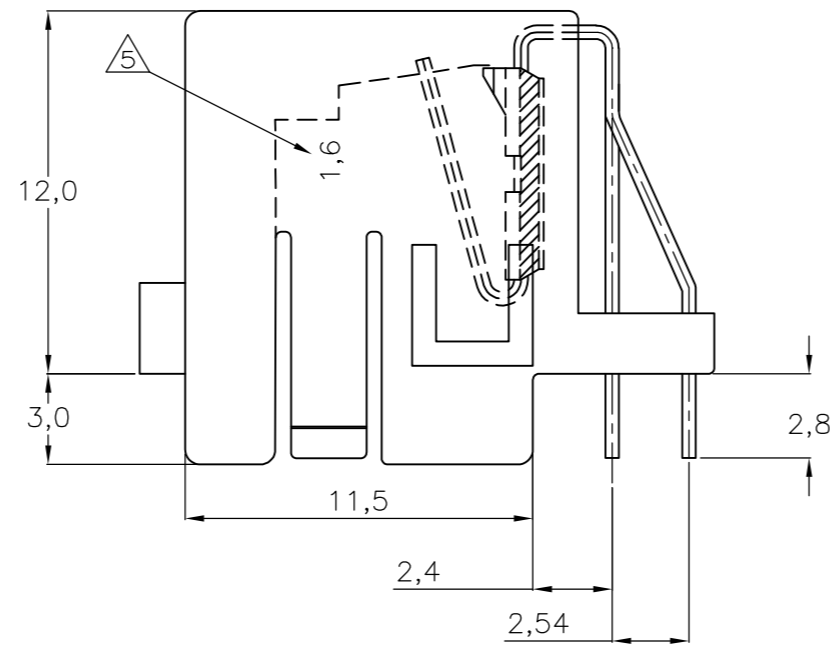
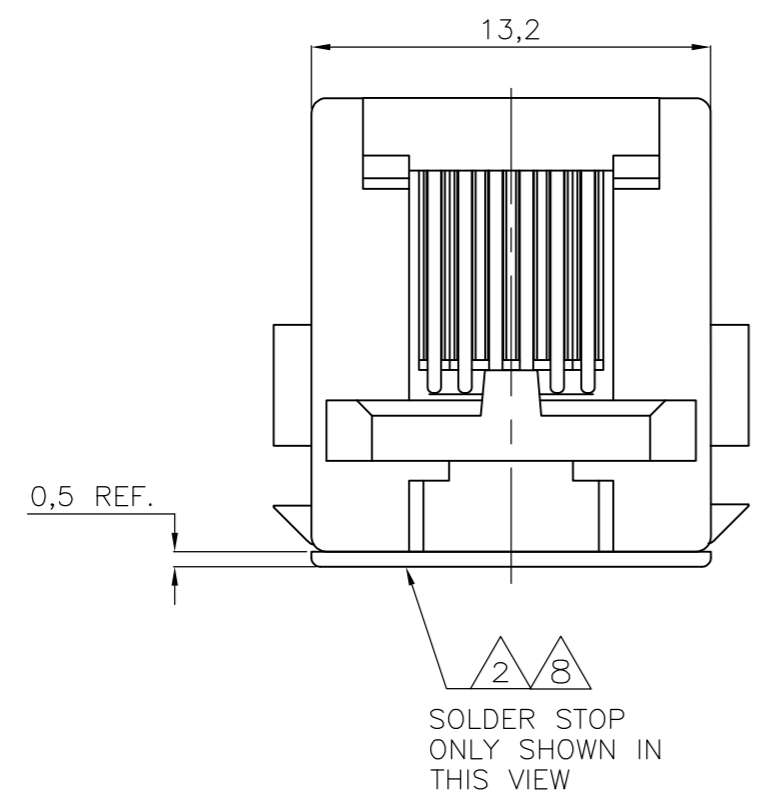
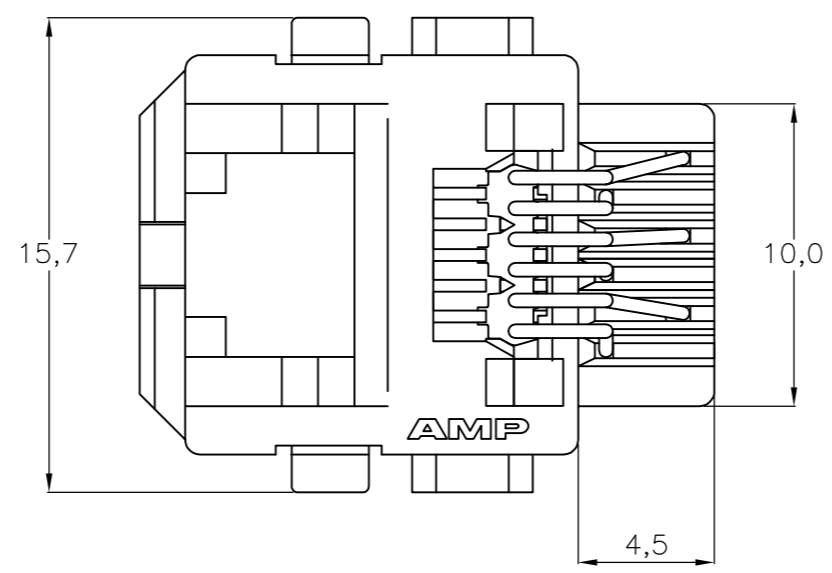


THIS DRAWING IS UNPUBLISHED. RELEASED FOR PUBLICATION  
 © COPYRIGHT - By - ALL RIGHTS RESERVED.

LOC	DIST	REVISIONS					
		P	LTR	DESCRIPTION	DATE	DWN	APVD
H	-	R		EH-1477-98	14-09-98	EVE	-
		R1		ECR-08-012368	06-11-08	AEG	WRV
		R2		ECR-10-022530	07JAN11	KK	HMR

NOTES:

1. TOLERANCES UNLESS OTHERWISE SPECIFIED:  $\pm 0,15$ .
2. MODULAR JACK P.N. 216446-1, 216446-2, 3-216446-1 AND 3-216446-2 ARE DELIVERED WITH PLASTIC SOLDER STOP INSTALLED, TO PREVENT SOLDER ENTERING THE JACK. REMOVE SOLDER STOP AFTER SOLDERING.
3. FOR PERFORMANCE REQUIREMENTS SEE TE PRODUCT SPECIFICATION 108-19064.
4. FOR APPLICATION REQUIREMENTS SEE TE APPLICATION SPECIFICATION 114-19019.
5. MOLDED-IN CHARACTER "1,6" MEANS FOR 1,6mm PRINT THICKNESS.
6. FOR PACKAGING SEE SHEET 2.
7. PREFERRED DIRECTION FOR STAMPING OF HOLE TO OBTAIN A BROKEN EDGE AT JACK ENTRY SIDE.
8. TRUE POSITIONING OF THE SOLDER TINES MAY BE AFFECTED BY BULK PACKAGING. THE SOLDER STOP COULD BE LOOSENED DURING TRANSPORT.



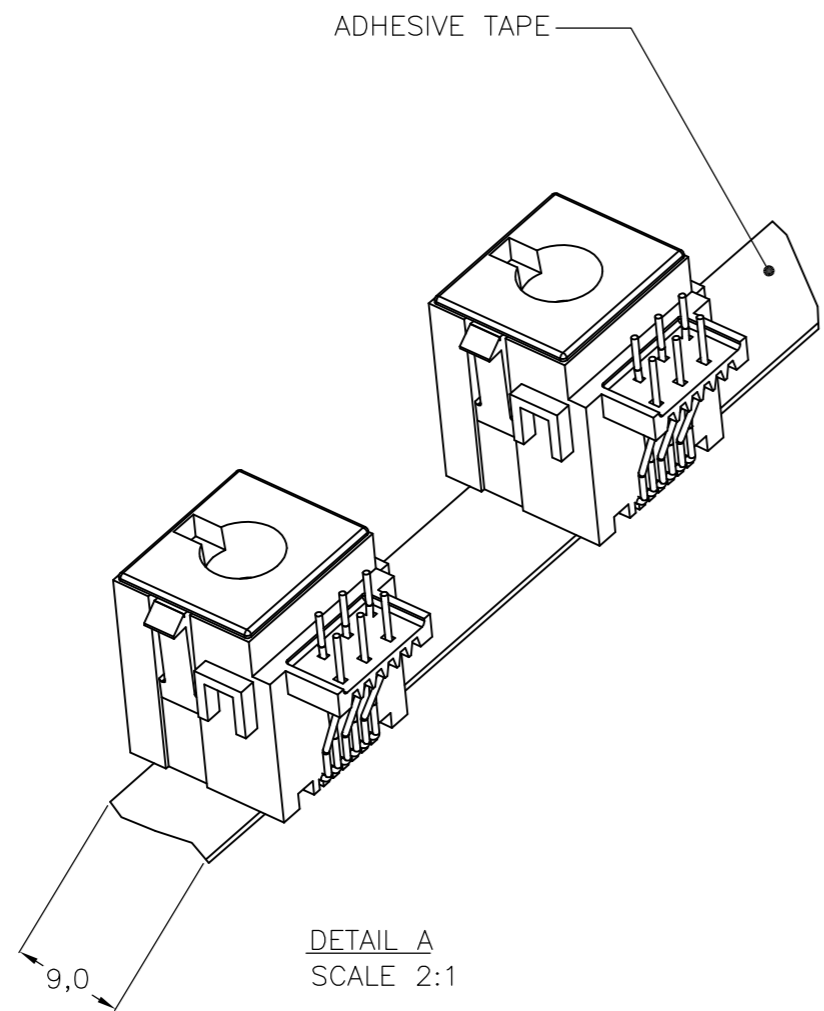
	DESCRIPTION	FINISH	MATERIAL	PARTNUMBER
⚠	BULK PACKAGED 500 pcs/BOX	6 POS./4 CONTACTS WITH SOLDER STOP	CONTACTS: 1,25µm MIN. GOLD OVER HOUSING: 20% G.F. NYLON	3-216446-2
⚠	BULK PACKAGED 1000 pcs/BOX	6 POS./6 CONTACTS WITH SOLDER STOP	CONTACTS: 1,25µm MIN. NICKEL IN CONTACT AREA HOUSING: COLOR: BLACK UL 94-HB	3-216446-1
OB	700 pcs ON A .60 cm DIA REEL	6 POS./4 CONTACTS WITH SOLDER STOP	CONTACTS: 2µm MIN. TIN LEAD OVER 1,25µm MIN. HOUSING: PHOS. BRONZE	-216446-2-
⚠	700 pcs ON A Ø60 cm DIA. REEL	6 POS./6 CONTACTS WITH SOLDER STOP	CONTACTS: NICKEL ON SOLDER TINES. HOUSING: PHOS. BRONZE	216446-1

THIS DRAWING IS A CONTROLLED DOCUMENT.

DIMENSIONS: mm	TOLERANCES UNLESS OTHERWISE SPECIFIED:	DWN: M.V.ESSEN	29NOV95	<b>TE</b> TE Connectivity
0 PLC ± -	1 PLC ± -	CHK: W.BRUMMANS	NAME: C.V.TILBURG	
2 PLC ± -	3 PLC ± -	APVD: C.V.TILBURG	PRODUCT SPEC	MODULAR JACK, 6 POS BOTTOM ENTRY VERSION FOR PRINTED CIRCUIT BOARD MOUNTING
4 PLC ± -	ANGLES ± -	APPLICATION SPEC	WEIGHT: -	SIZE: A2 CAGE CODE: 00779 DRAWING NO: C=216446 RESTRICTED TO: -
MATERIAL: -	FINISH: -	CUSTOMER DRAWING	SCALE: NTS SHEET: 1 of 2 REV: R2	

THIS DRAWING IS UNPUBLISHED. RELEASED FOR PUBLICATION  
 © COPYRIGHT - By - ALL RIGHTS RESERVED.

LOC	DIST	REVISIONS					
H	-	P	LTR	DESCRIPTION	DATE	DWN	APVD
		-		SEE SHEET 1	-	-	-



SEE DETAIL A

REEL-OFF DIRECTION



THIS DRAWING IS A CONTROLLED DOCUMENT.		DWN	19DEC96		
DIMENSIONS: mm		CHK	F.V.EIJK		
TOLERANCES UNLESS OTHERWISE SPECIFIED:		APVD	W.BRUMMANS		
0 PLC ± - 1 PLC ± - 2 PLC ± - 3 PLC ± - 4 PLC ± - ANGLES ± -		NAME	R.SMEETS		
MATERIAL		PRODUCT SPEC	-	MODULAR JACK, 6 POS., BOTTOM ENTRY VERSION PACKAGING	
FINISH		APPLICATION SPEC	-	SIZE	A2
		WEIGHT	-	CAGE CODE	00779
		CUSTOMER DRAWING		DRAWING NO	C=216446
		SCALE	NTS	SHEET	2 OF 2
		REV	R2	RESTRICTED TO	