



Chipsmall Limited consists of a professional team with an average of over 10 year of expertise in the distribution of electronic components. Based in Hongkong, we have already established firm and mutual-benefit business relationships with customers from,Europe,America and south Asia,supplying obsolete and hard-to-find components to meet their specific needs.

With the principle of “Quality Parts,Customers Priority,Honest Operation,and Considerate Service”,our business mainly focus on the distribution of electronic components. Line cards we deal with include Microchip,ALPS,ROHM,Xilinx,Pulse,ON,Everlight and Freescale. Main products comprise IC,Modules,Potentiometer,IC Socket,Relay,Connector.Our parts cover such applications as commercial,industrial, and automotives areas.

We are looking forward to setting up business relationship with you and hope to provide you with the best service and solution. Let us make a better world for our industry!



Contact us

Tel: +86-755-8981 8866 Fax: +86-755-8427 6832

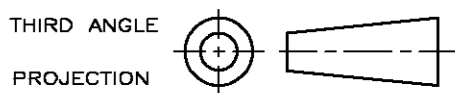
Email & Skype: info@chipsmall.com Web: www.chipsmall.com

Address: A1208, Overseas Decoration Building, #122 Zhenhua RD., Futian, Shenzhen, China



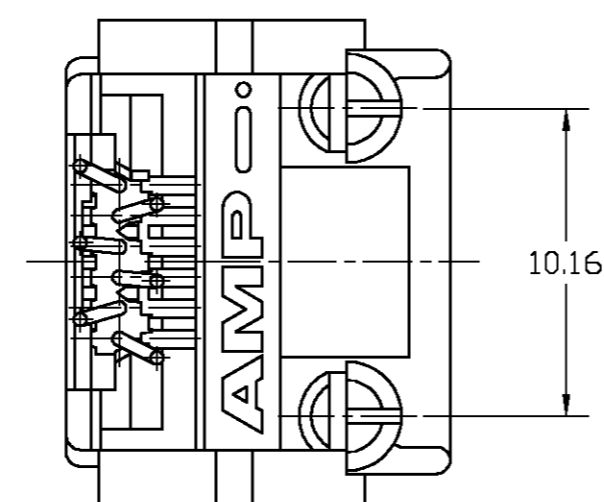
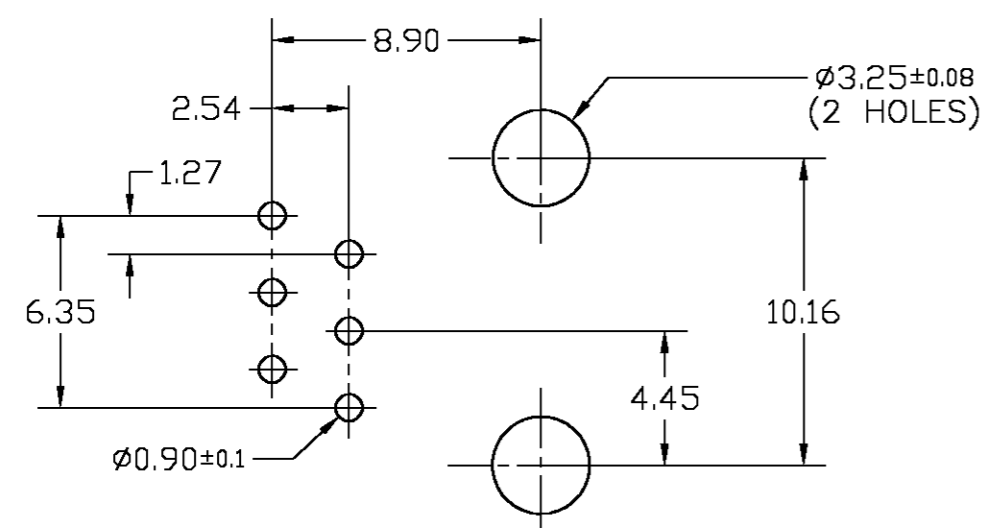
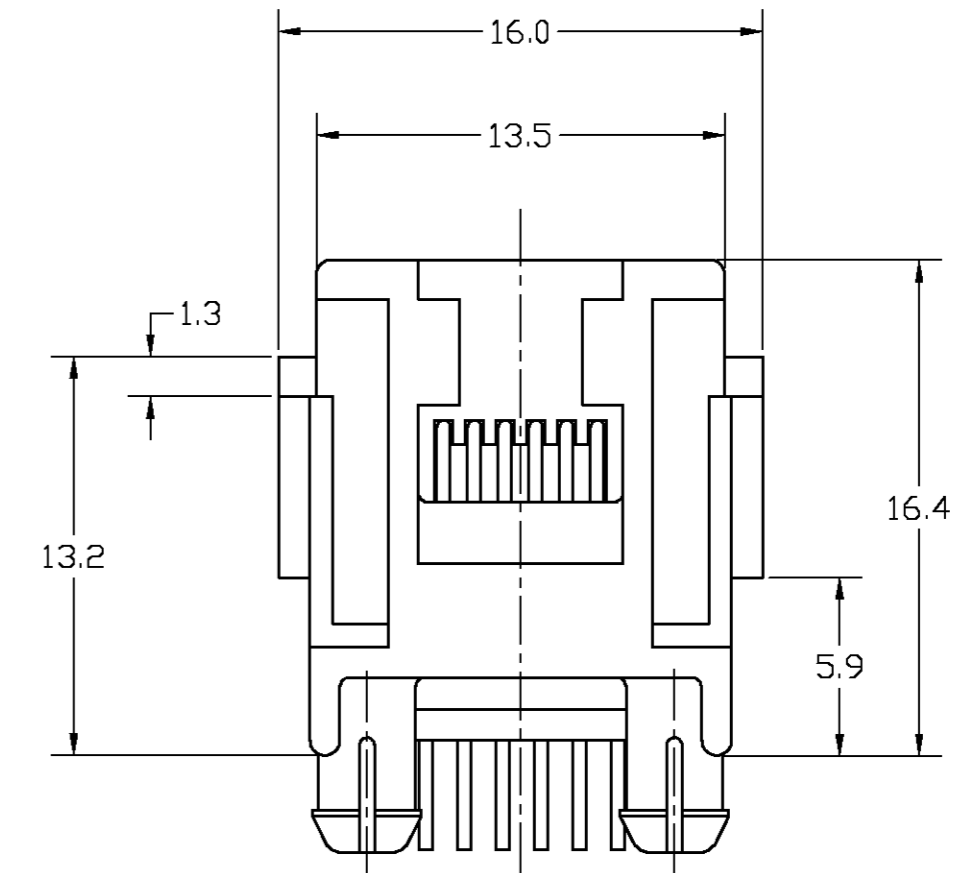
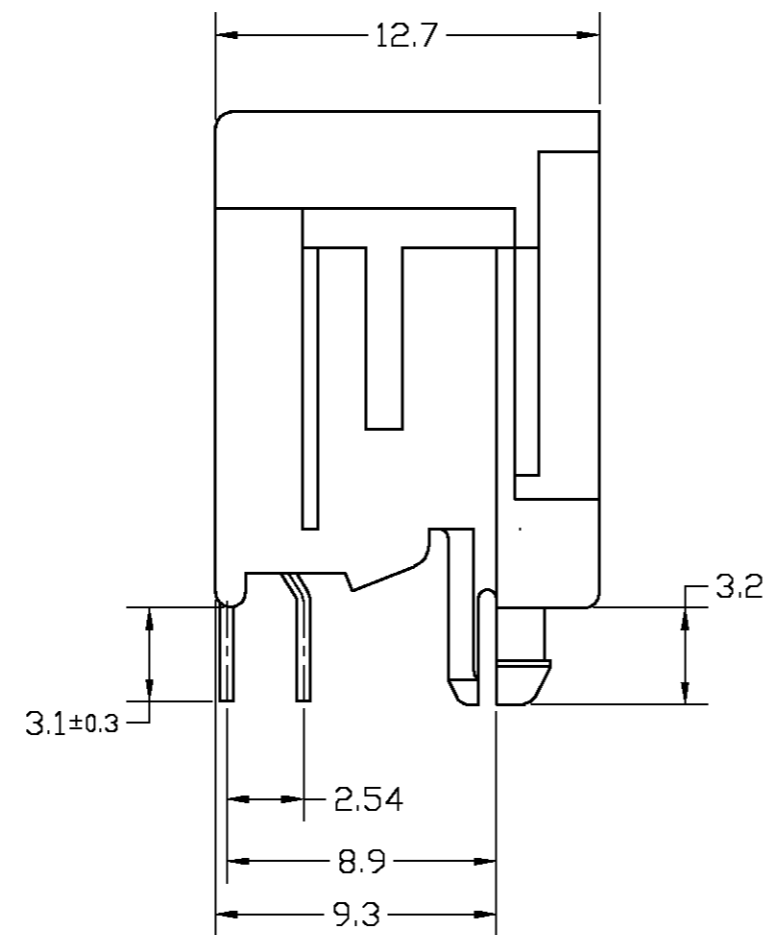
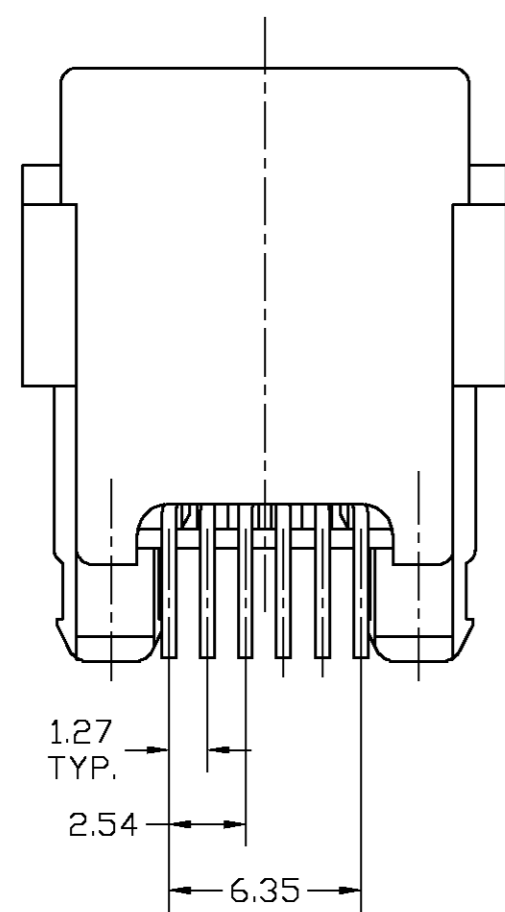
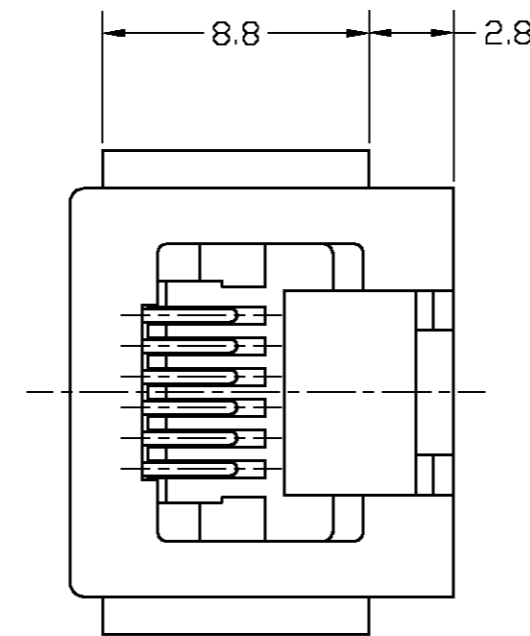
DO NOT SCALE
DIMENSIONS IN mm

METRIC



NOTES:

- 1 SEE SHEET 2 FOR 6 POS./4 CONTACTS
- 2 TOLERANCES UNLESS OTHERWISE SPECIFIED: $\pm 0,15$
- 3 FOR APPLICATION REQUIREMENTS SEE AMP SPEC. 114-19019
- 4 FOR PERFORMANCE REQUIREMENTS SEE AMP SPEC. 108-19064



PRINTED CIRCUIT BOARD LAYOUT

VIEW SHOWN IS CIRCUIT (NONCOMPONENT) SIDE OF BOARD.

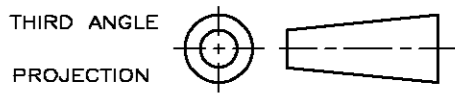
TOLERANCES UNLESS OTHERWISE SPECIFIED: $\pm 0,05$.

PRINTED CIRCUIT BOARD THICKNESS: 1,6 mm NOMINAL.

800 PCS ON A 60 CM DIA. REEL	6 POSITIONS/ 6 CONTACTS.	IN CONTACT AREA: 1,2 μ m MIN. SEL. GOLD OVER 1,2 μ m MIN. NICKEL SOLDER TINES: 2,0 μ m MIN. TIN-LEAD OVER 1,2 μ m MIN. NICKEL	HOUSING: PBT,UL 94-HB COLOR: BLACK CONTACTS: PHOSPHOR BRONZE	216548-1
PACKAGING	REMARKS	FINISH	MATERIAL	PARTNUMBER
CUSTOMER DRAWING				FOR REFERENCE ONLY WILL NOT BE UPDATED
THIS DRAWING IS UNPUBLISHED RELEASED FOR PUBLICATION				
STE TE Connectivity				
NAME MODULAR JACK 6 POS. TOP ENTRY SMALL SIZE WITH PANEL STOPS FOR PRINTED CIRCUIT BOARD				
J1	REVISED PER ECO-11-005294	RK	HMR	08APR11
LTR.	REVISION RECORD	DR.	CHK.	DATE
DR.: J.v.LIEMPT DATE: 31 JAN 94	CHK.: C.STERKEN DATE: -	APP.: L.v.SOEST DATE: -	DWG.No. C-216548	REV.LTR. SHEET J1 1 OF 2

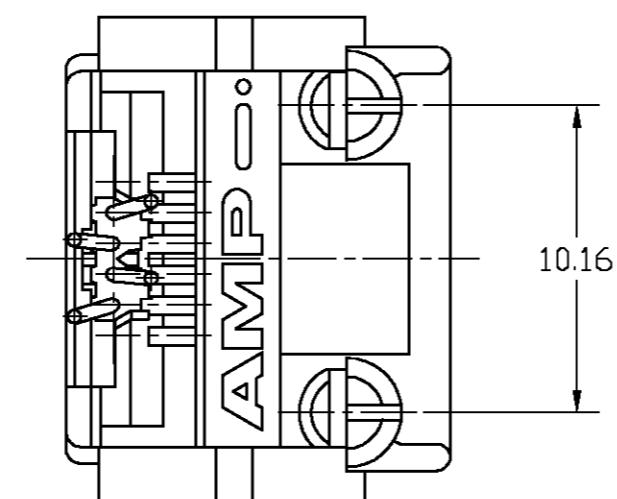
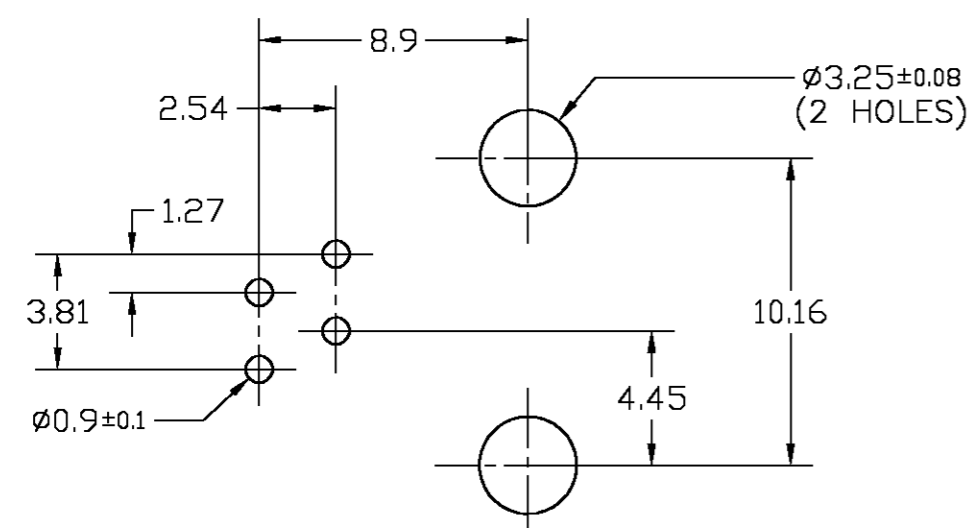
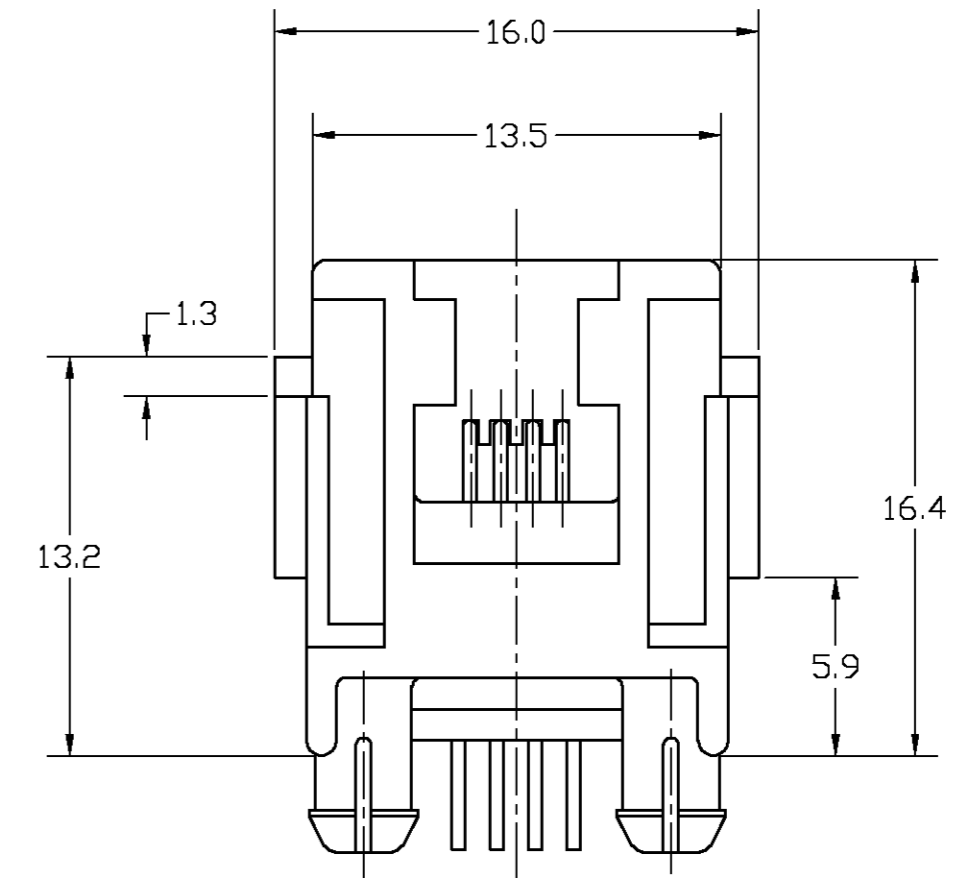
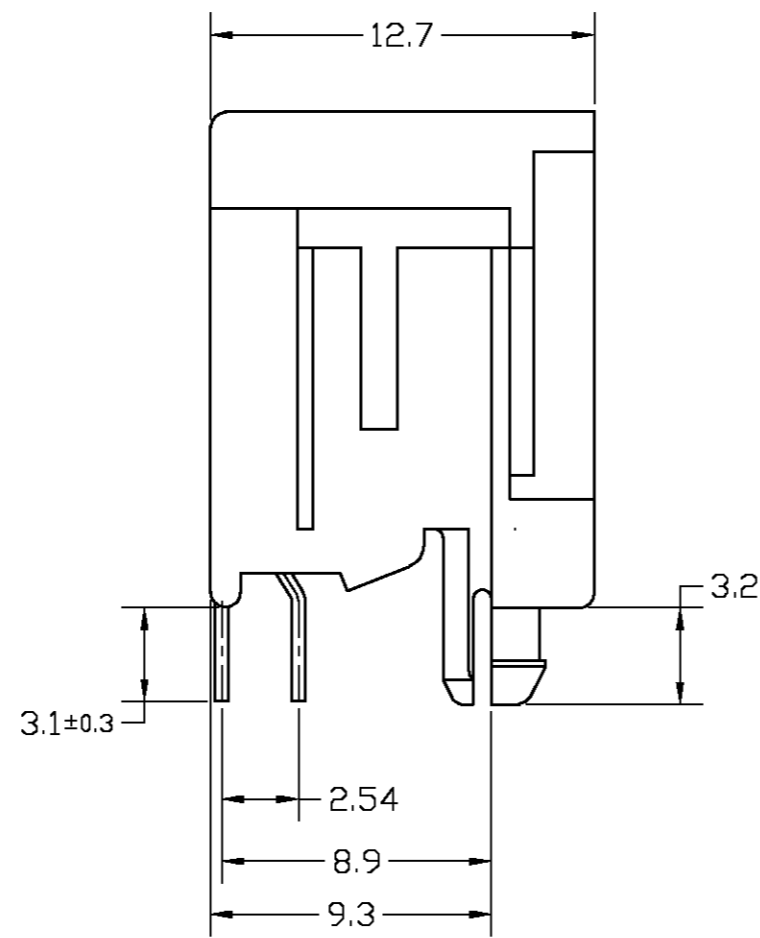
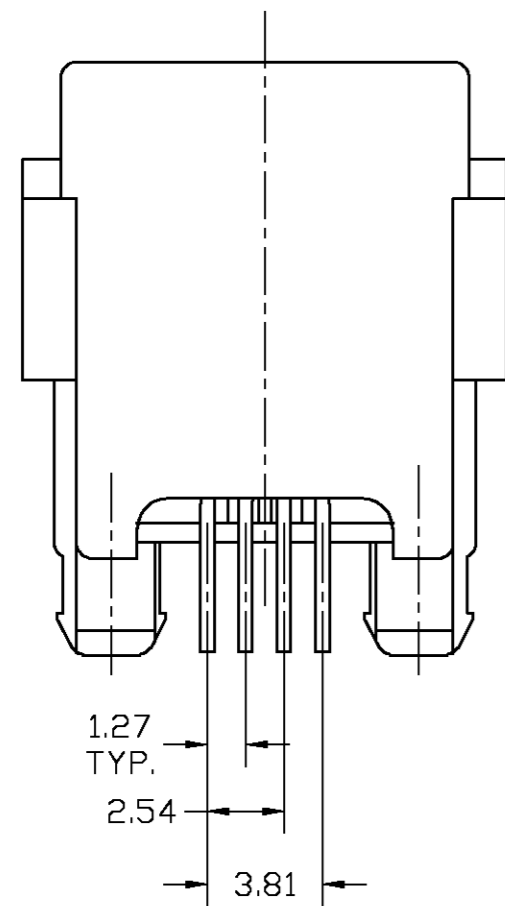
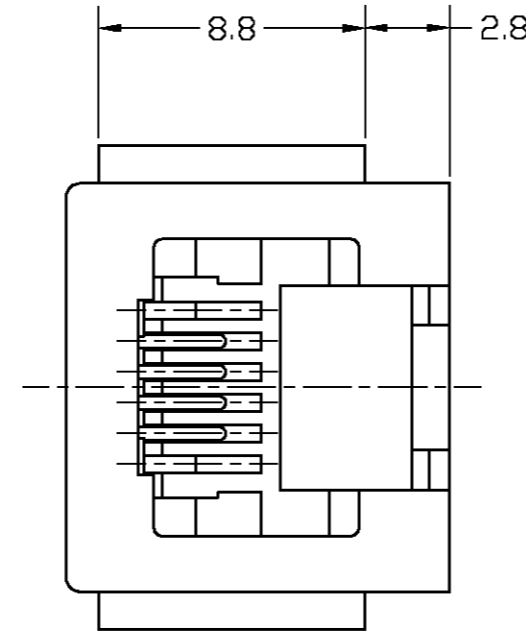
DO NOT SCALE
DIMENSIONS IN mm

METRIC



NOTES:

- 1 SEE SHEET 1 FOR 6 POS./6 CONTACTS
- 2 TOLERANCES UNLESS OTHERWISE SPECIFIED: $\pm 0,15$
- 3 FOR APPLICATION REQUIREMENTS SEE AMP SPEC. 114-19019
- 4 FOR PERFORMANCE REQUIREMENTS SEE AMP SPEC. 108-19064



PRINTED CIRCUIT BOARD LAYOUT

VIEW SHOWN IS CIRCUIT (NONCOMPONENT) SIDE OF BOARD.

TOLERANCES UNLESS OTHERWISE SPECIFIED: $\pm 0,05$.

PRINTED CIRCUIT BOARD THICKNESS: 1,6 mm NOMINAL.

800 PCS ON A 60 CM DIA. REEL	4 POSITIONS/ 6 CONTACTS.	IN CONTACT AREA: 1,2 μ m MIN. SEL. GOLD OVER 1,2 μ m MIN. NICKEL SOLDER TINES: 2,0 μ m MIN. TIN-LEAD OVER 1,2 μ m MIN. NICKEL	HOUSING: PBT,UL 94-HB COLOR: BLACK CONTACTS: PHOSPHOR BRONZE	216548-2
PACKAGING	REMARKS	FINISH	MATERIAL	PARTNUMBER
CUSTOMER DRAWING				FOR REFERENCE ONLY WILL NOT BE UPDATED
THIS DRAWING IS UNPUBLISHED RELEASED FOR PUBLICATION				
TE Connectivity				
NAME MODULAR JACK 6 POS. TOP ENTRY SMALL SIZE WITH PANEL STOPS FOR PRINTED CIRCUIT BOARD				
LTR.	REVISION RECORD	DR.	CHK.	DATE
DR.: J.v.LIEMPT DATE: 31 JAN 94	CHK.: C.STERKEN DATE: -	APP.: L.v.SOEST DATE: -	DWG.No. C-216548	REV.LTR. SHEET J1 2 OF 2 A2

SEE SHEET 1