



Chipsmall Limited consists of a professional team with an average of over 10 year of expertise in the distribution of electronic components. Based in Hongkong, we have already established firm and mutual-benefit business relationships with customers from,Europe,America and south Asia,supplying obsolete and hard-to-find components to meet their specific needs.

With the principle of "Quality Parts,Customers Priority,Honest Operation,and Considerate Service",our business mainly focus on the distribution of electronic components. Line cards we deal with include Microchip,ALPS,ROHM,Xilinx,Pulse,ON,Everlight and Freescale. Main products comprise IC,Modules,Potentiometer,IC Socket,Relay,Connector.Our parts cover such applications as commercial,industrial, and automotives areas.

We are looking forward to setting up business relationship with you and hope to provide you with the best service and solution. Let us make a better world for our industry!



## Contact us

Tel: +86-755-8981 8866 Fax: +86-755-8427 6832

Email & Skype: info@chipsmall.com Web: www.chipsmall.com

Address: A1208, Overseas Decoration Building, #122 Zhenhua RD., Futian, Shenzhen, China



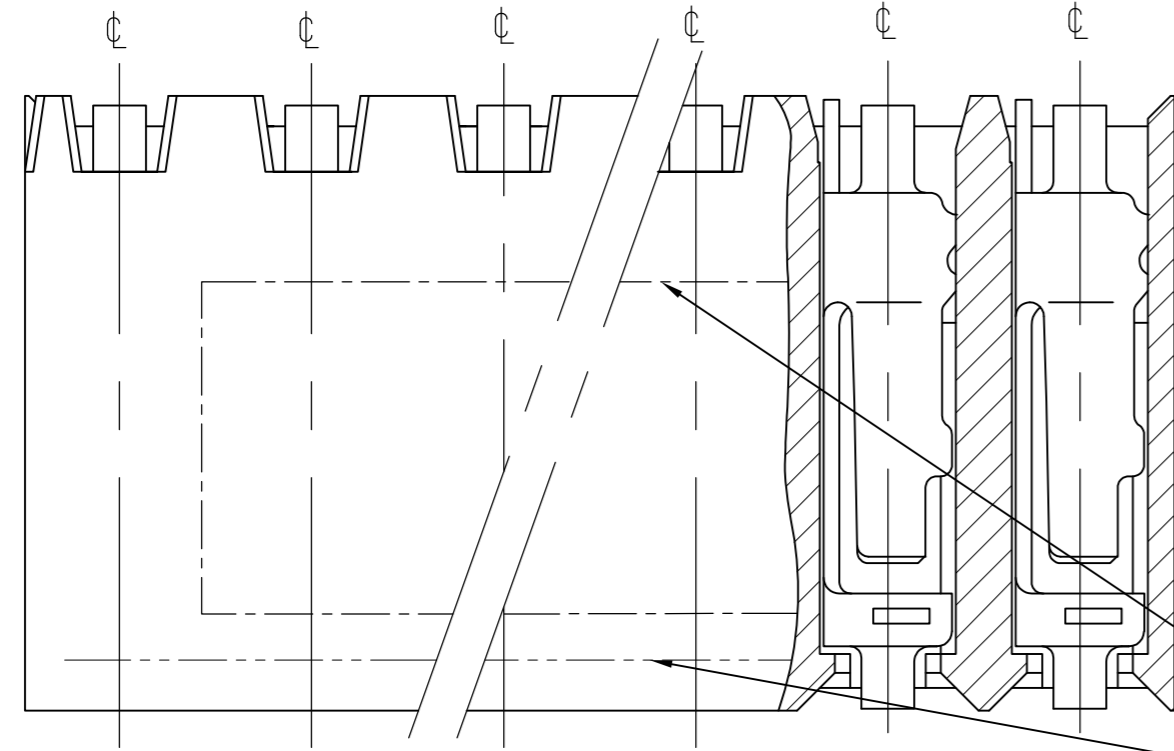
THIS DRAWING IS UNPUBLISHED. RELEASED FOR PUBLICATION  
 © COPYRIGHT - By - ALL RIGHTS RESERVED.

LOC		DIST		REVISIONS			
P	LTR	DESCRIPTION	DATE	DWN	APVD		
IR	-	H4	NOTE 7 CORRECTED	30JAN2012	MHM	RP	

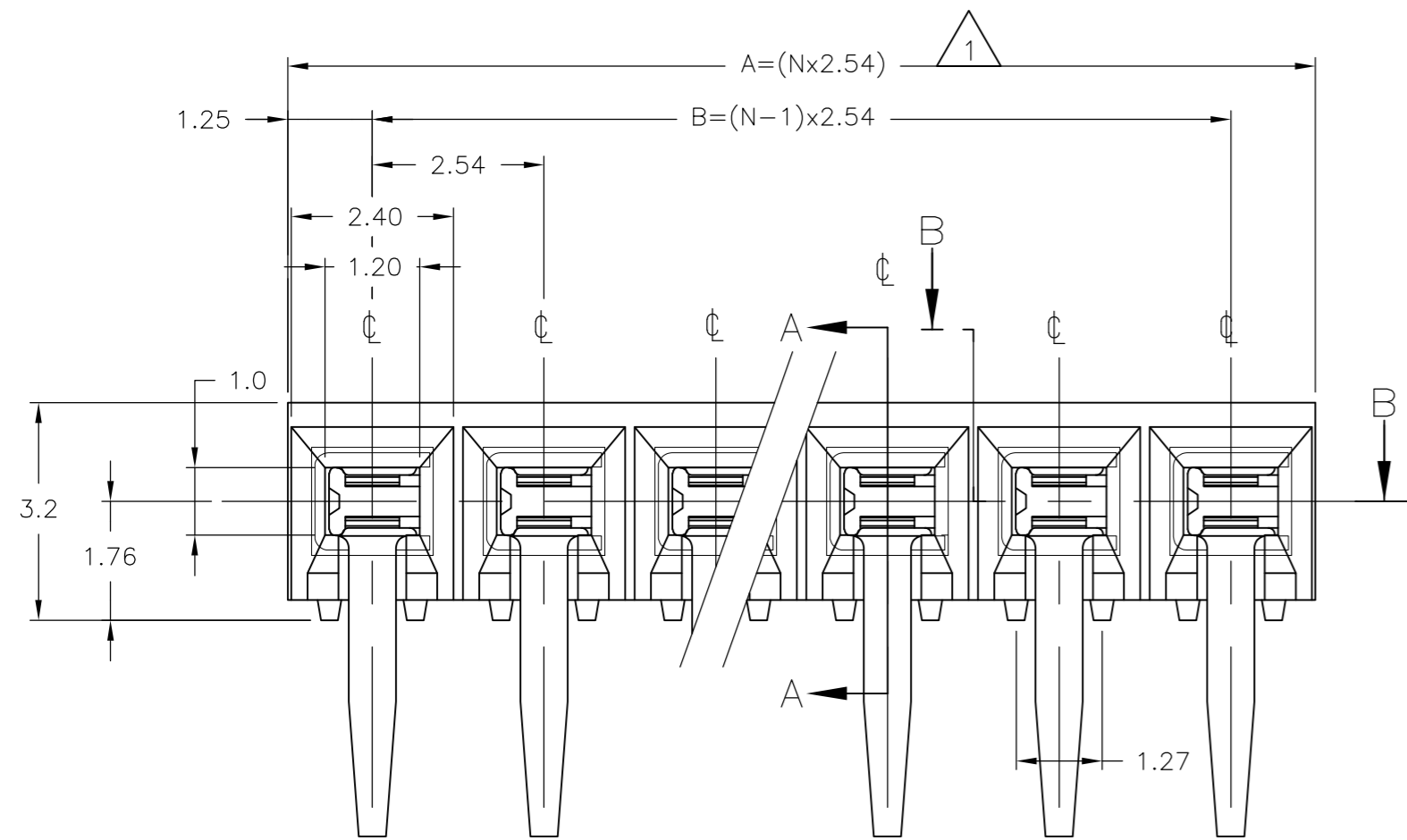
PART NO.	'N' POS. PER ROW	DIMENSIONS	
		A	B
216602-2	2	5.08	2.54
216602-3	3	7.62	5.08
216602-4	4	10.16	7.62
216602-5	5	12.70	10.16
216602-6	6	15.24	12.70
216602-7	7	17.78	15.24
216602-8	8	20.32	17.78
1-216602-0	10	25.40	22.86
1-216602-2	12	30.48	27.94
1-216602-3	13	33.02	30.48
1-216602-4	14	35.56	33.02
1-216602-6	16	40.64	38.10
2-216602-0	20	50.80	48.26
2-216602-3	23	58.42	55.88
2-216602-4	24	60.96	58.42
2-216602-6	26	66.04	63.50
2-216602-9	29	73.66	71.12
3-216602-1	31	78.74	76.20
3-216602-6	36	91.44	88.90
3-216602-8	38	96.52	93.98
5-216602-0	50	127.00	124.46
5-216602-1	51	129.54	127.00

NOTES:

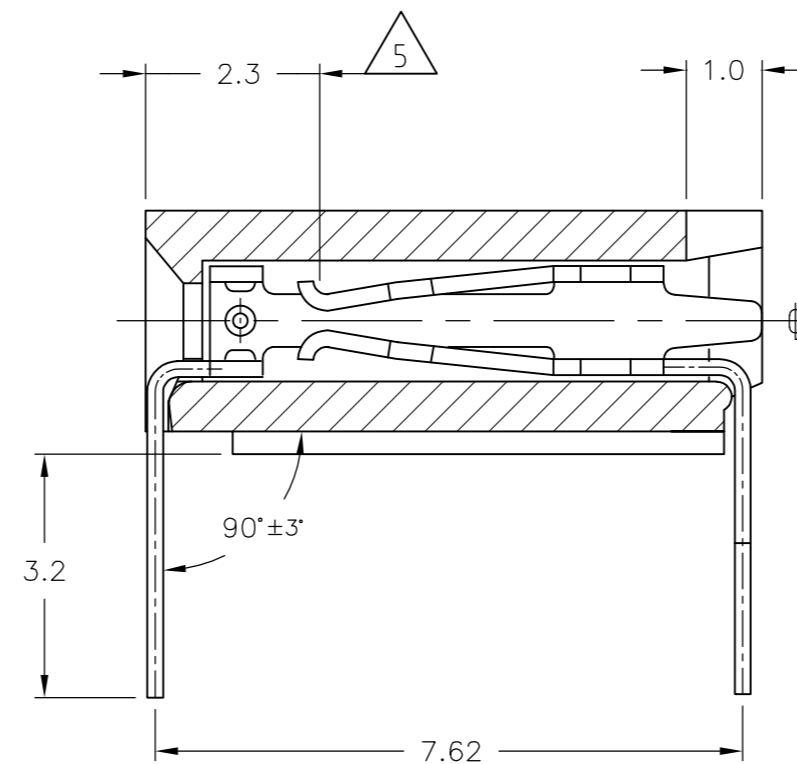
- 1 TO DETERMINE DIMENSION TAKE N= NR. OF POS.  
FOR EXAMPLE, 10 POS.,  $N \times 2.54 = 25.4\text{mm}$ .  
FOR ORDER NR. USE BASIC NR. + NR. OF POS.  
FOR EXAMPLE, 2 POS.= 216602-2 (SHORTEST VERSION)  
65 POS.= 6-216602-5 (LONGEST VERSION)
- 2 HOUSING MATERIAL, GREEN GLASS FILLED POLYESTER, UL 94V-0  
CONTACT MATERIAL, PHOSPHOR BRONZE.
- 3 PLATING, UNDER COATING, 1.3µm Ni  
AT CONTACT PLACE, 0.8µm Au  
AT SOLDER-TINES, 3.0-5.0µm TIN
- 4 MATES WITH 0.63 SQUARE/ROUND MODU POSTS
- 5 CONTACT POINT
- 6 RECOMMENDED P.C.BOARD THICKNESS 1.6mm
- 7 PRINTED: THE WORD "TE" [FOR 2 TO 6 POS]  
THE WORD "TE" & PRODUCTION DATE [FOR 7 TO 12 POS]  
THE WORD "TE", PRODUCTION DATE & BASIC PART NO. [FOR 13 TO 65 POS]  
AND A DASHED LINE OVER THE LENGTH OF HOUSING TO  
INDICATE CONTACT MATING SIDE.



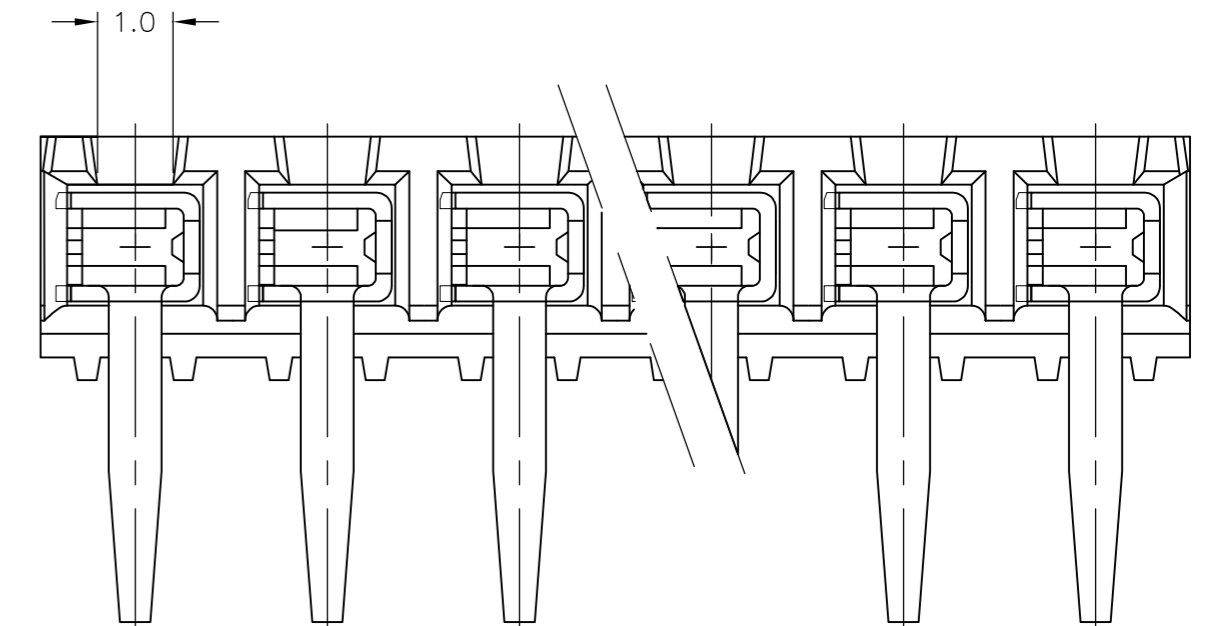
SECTION B-B/TOPVIEW



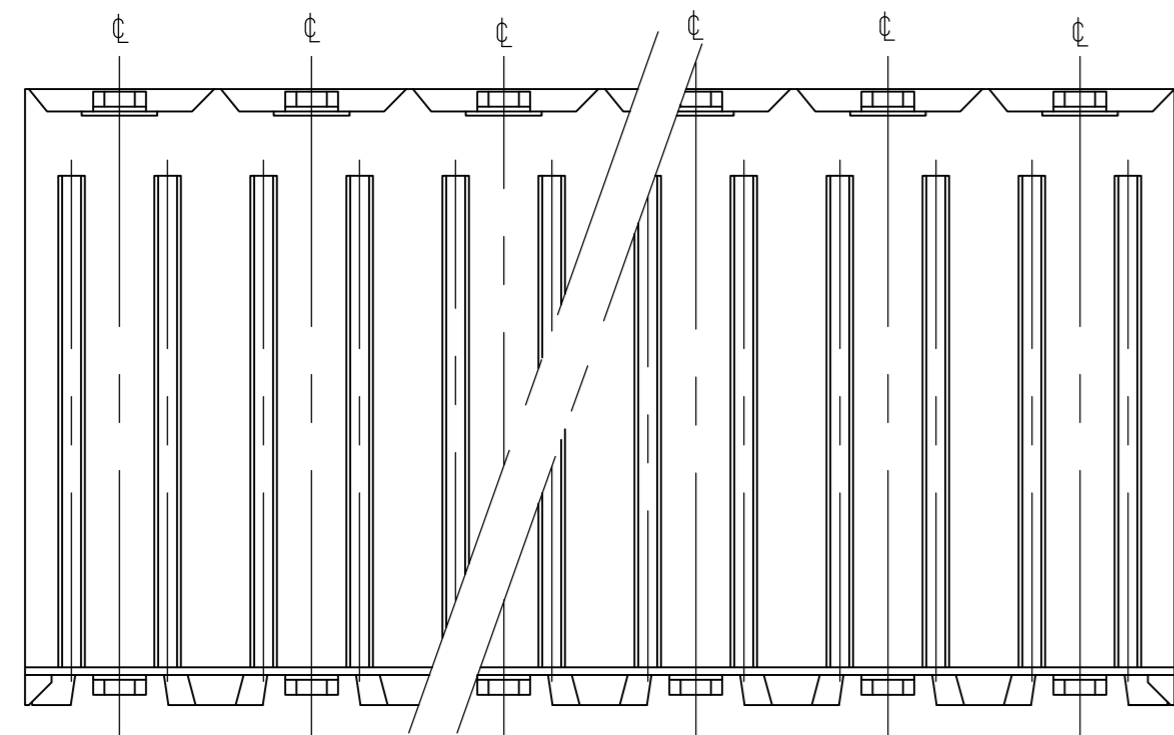
FRONT VIEW



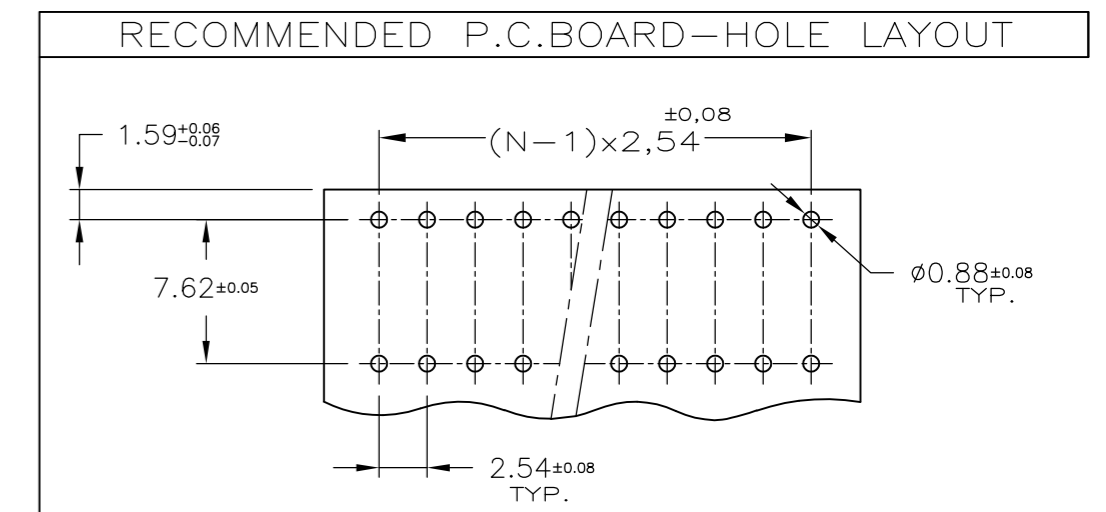
SECTION A-A



REAR VIEW



BOTTOM VIEW



THIS DRAWING IS A CONTROLLED DOCUMENT.		DWN	19/12/91	<b>STE</b> TE Connectivity	
		W.R.ANNOKKEE			
		CHK	19/12/91	NAME HV 190 HOR. ASS'Y SINGLE ROW GOLD VERSION (MAX. 65 POSITION)	
		R.T.DE BLIECK			
		APVD	19/12/91	SIZE	
		R.SMEETS			
DIMENSIONS: mm		TOLERANCES UNLESS OTHERWISE SPECIFIED: ±0.15		CAGE CODE	
0 PLC ± -		1 PLC ± -		A2	
1 PLC ± -		2 PLC ± -		00779	
2 PLC ± -		3 PLC ± -		DRAWING NO	
3 PLC ± -		4 PLC ± -		C=216602	
4 PLC ± -		ANGLES ± -		RESTRICTED TO	
FINISH		WEIGHT		SCALE	
2		-		10:1	
3		-		SHEET	
		CUSTOMER DRAWING		1 OF 1	
				REV	
				H4	