



Chipsmall Limited consists of a professional team with an average of over 10 year of expertise in the distribution of electronic components. Based in Hongkong, we have already established firm and mutual-benefit business relationships with customers from,Europe,America and south Asia,supplying obsolete and hard-to-find components to meet their specific needs.

With the principle of “Quality Parts,Customers Priority,Honest Operation,and Considerate Service”,our business mainly focus on the distribution of electronic components. Line cards we deal with include Microchip,ALPS,ROHM,Xilinx,Pulse,ON,Everlight and Freescale. Main products comprise IC,Modules,Potentiometer,IC Socket,Relay,Connector.Our parts cover such applications as commercial,industrial, and automotives areas.

We are looking forward to setting up business relationship with you and hope to provide you with the best service and solution. Let us make a better world for our industry!



Contact us

Tel: +86-755-8981 8866 Fax: +86-755-8427 6832

Email & Skype: info@chipsmall.com Web: www.chipsmall.com

Address: A1208, Overseas Decoration Building, #122 Zhenhua RD., Futian, Shenzhen, China



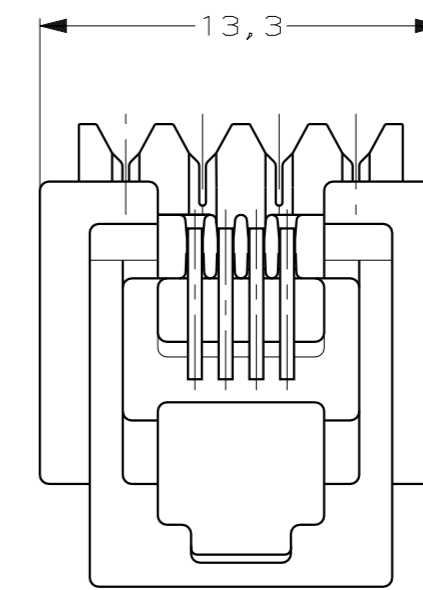
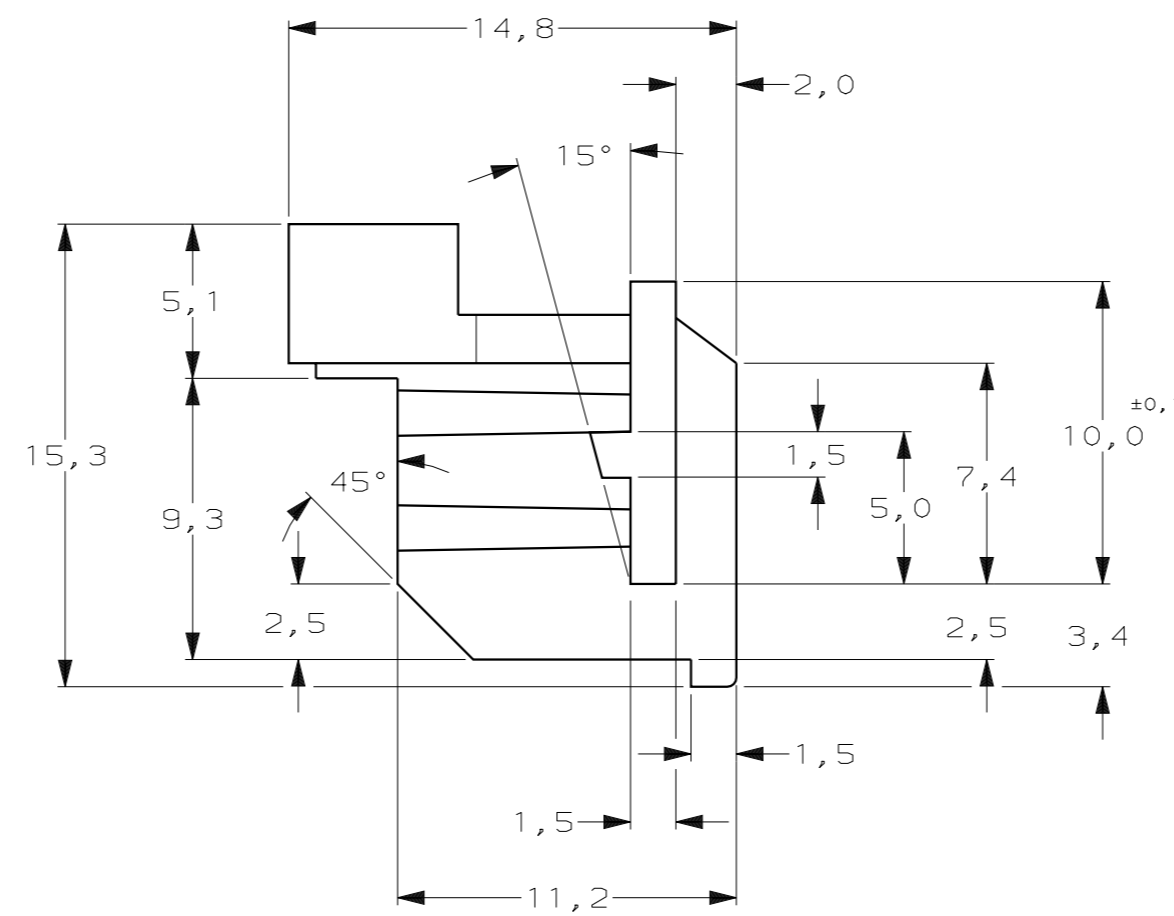
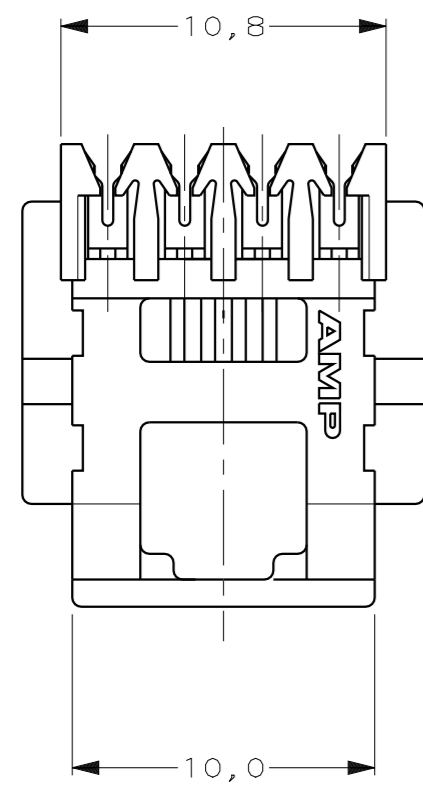
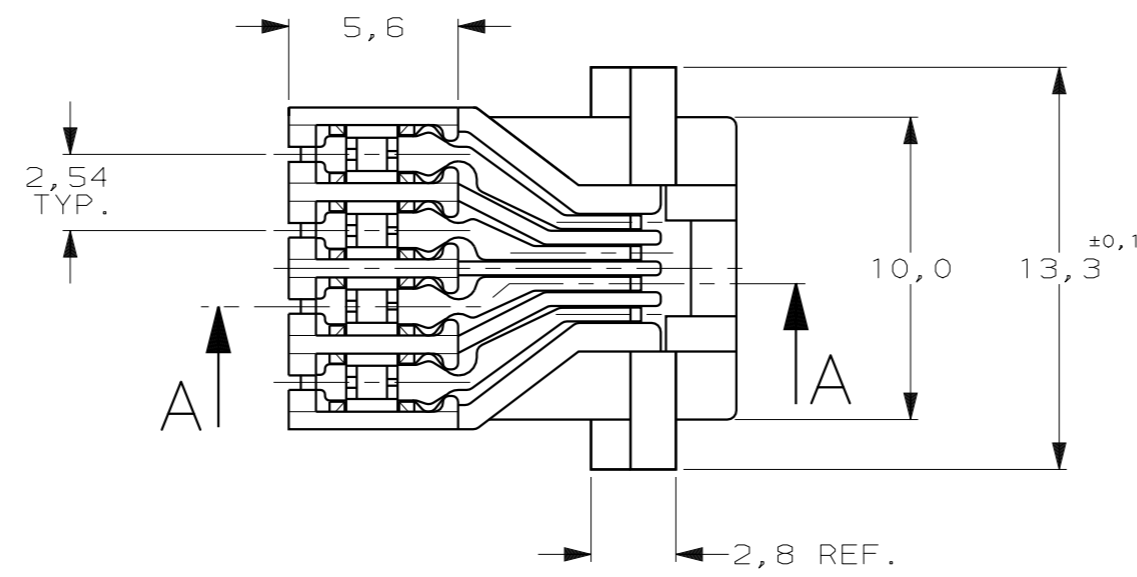
NOTES:

- FOR APPLICATION INFORMATION SEE AMP SPECIFICATION 114-19005.
- FOR PERFORMANCE REQUIREMENTS SEE AMP SPECIFICATION 108-19039.
- GENERAL TOLERANCE $\pm 0,15\text{mm}$ UNLESS OTHERWISE SPECIFIED.

DO NOT SCALE
DIMENSIONS IN mm

METRIC

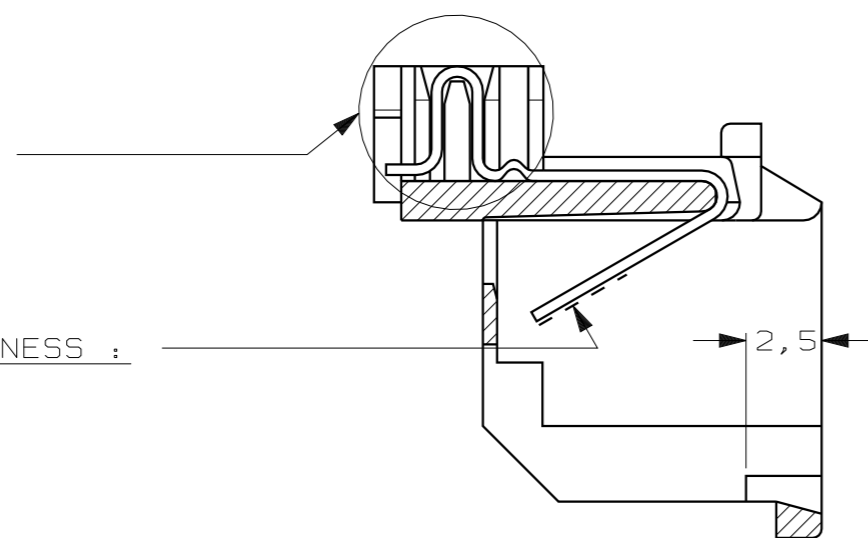
THIRD ANGLE
PROJECTION



CONTACT PLATING IN THIS AREA :
1,25 μm MIN. TIN

CONTACT AREA GOLD PLATING THICKNESS :
SEE TABLE.

UNDERPLATING ON ENTIRE CONTACT :
1,25 μm NICKEL.



SEC. A-A

OBSOLETE

800 pcs. ON 60 cm. DIA REEL	0,8 μm	HOUSING : ABS COLOR : CLEAR	2-216780-2
	1,25 μm		2-216780-1
3000 pcs. IN A BOX	0,8 μm	CONTACTS : PHOS.PH. BRONZE	216780-2
	1,25 μm		216780-1
PACKAGING	GOLD PLATING IN CONTACT AREA	MATERIAL	ORDERNUMBER
CUSTOMER DRAWING			FOR REFERENCE ONLY WILL NOT BE UPDATED
© COPYRIGHT 19- BY AMP HOLLAND B.V. ALL INTERNATIONAL RIGHTS RESERVED. AMP PRODUCTS MAY BE COVERED BY U.S. AND FOREIGN AND/OR PATENTS PENDING.			
THIS DRAWING IS UNPUBLISHED RELEASED FOR PUBLICATION			
AMP HOLLAND B.V. 's-Hertogenbosch, The Netherlands.			
F	ECR-05-013405	PW JB 18 OCT 05	NAME
E	EH-0176-98	EvE WB 10 FEB 98	MODULAR JACK, 4 POS./4 CONT. WITH INSULATION DISPLACEMENT CONTACTS
LTR.	REVISION RECORD	DR. CHK. DATE	
DR. : L.V.D.HEIJDEN	CHK. : M. DE WINTER	APP. : L. VAN SOEST	DWG.No.
DATE: 20 OKT 89	DATE: 26-10-89	DATE: -	C-216780
			REV.LTR. SHEET
			F 1 OF 1 A2