



Chipsmall Limited consists of a professional team with an average of over 10 year of expertise in the distribution of electronic components. Based in Hongkong, we have already established firm and mutual-benefit business relationships with customers from,Europe,America and south Asia,supplying obsolete and hard-to-find components to meet their specific needs.

With the principle of "Quality Parts,Customers Priority,Honest Operation,and Considerate Service",our business mainly focus on the distribution of electronic components. Line cards we deal with include Microchip,ALPS,ROHM,Xilinx,Pulse,ON,Everlight and Freescale. Main products comprise IC,Modules,Potentiometer,IC Socket,Relay,Connector.Our parts cover such applications as commercial,industrial, and automotives areas.

We are looking forward to setting up business relationship with you and hope to provide you with the best service and solution. Let us make a better world for our industry!



## Contact us

Tel: +86-755-8981 8866 Fax: +86-755-8427 6832

Email & Skype: info@chipsmall.com Web: www.chipsmall.com

Address: A1208, Overseas Decoration Building, #122 Zhenhua RD., Futian, Shenzhen, China



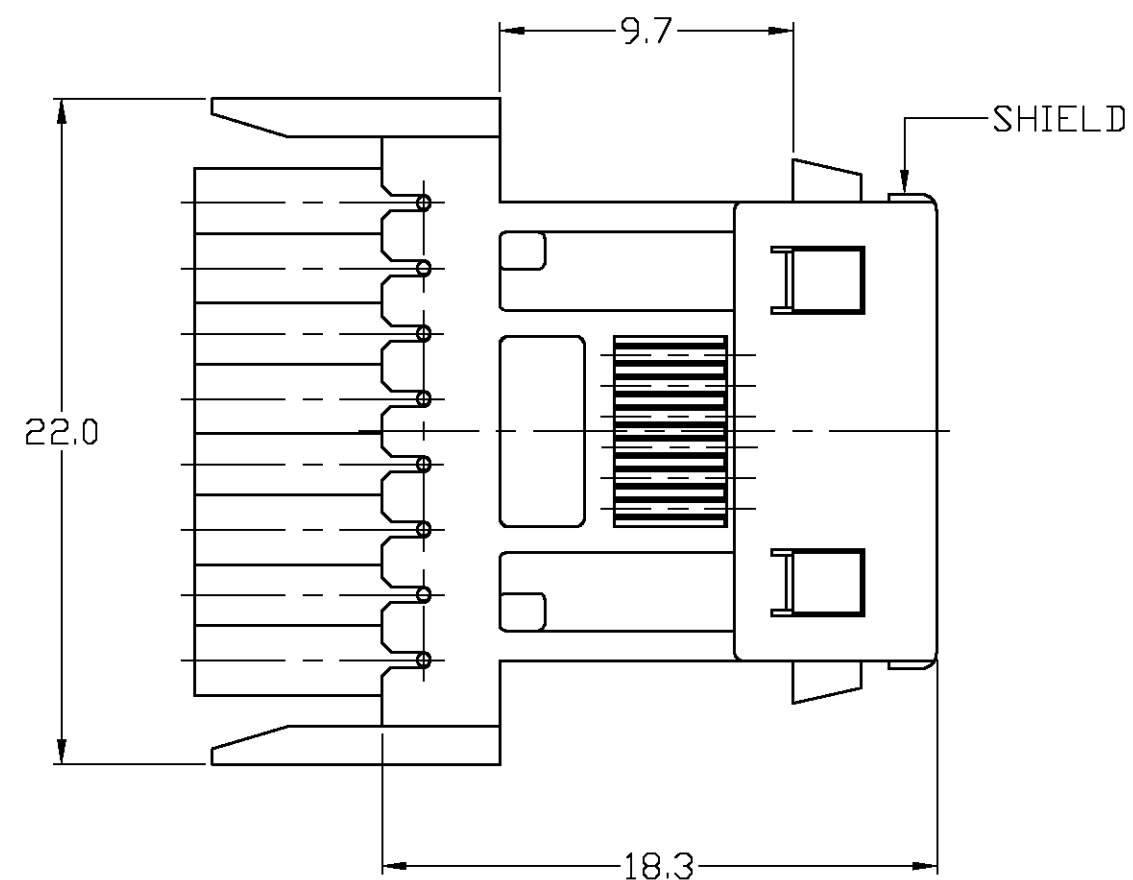
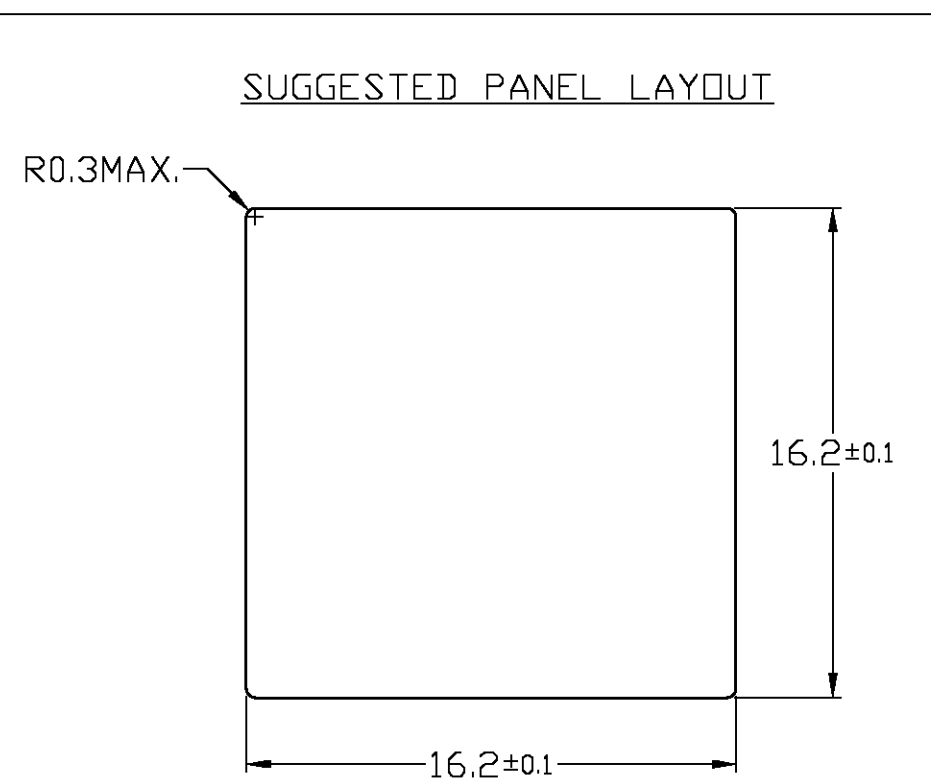
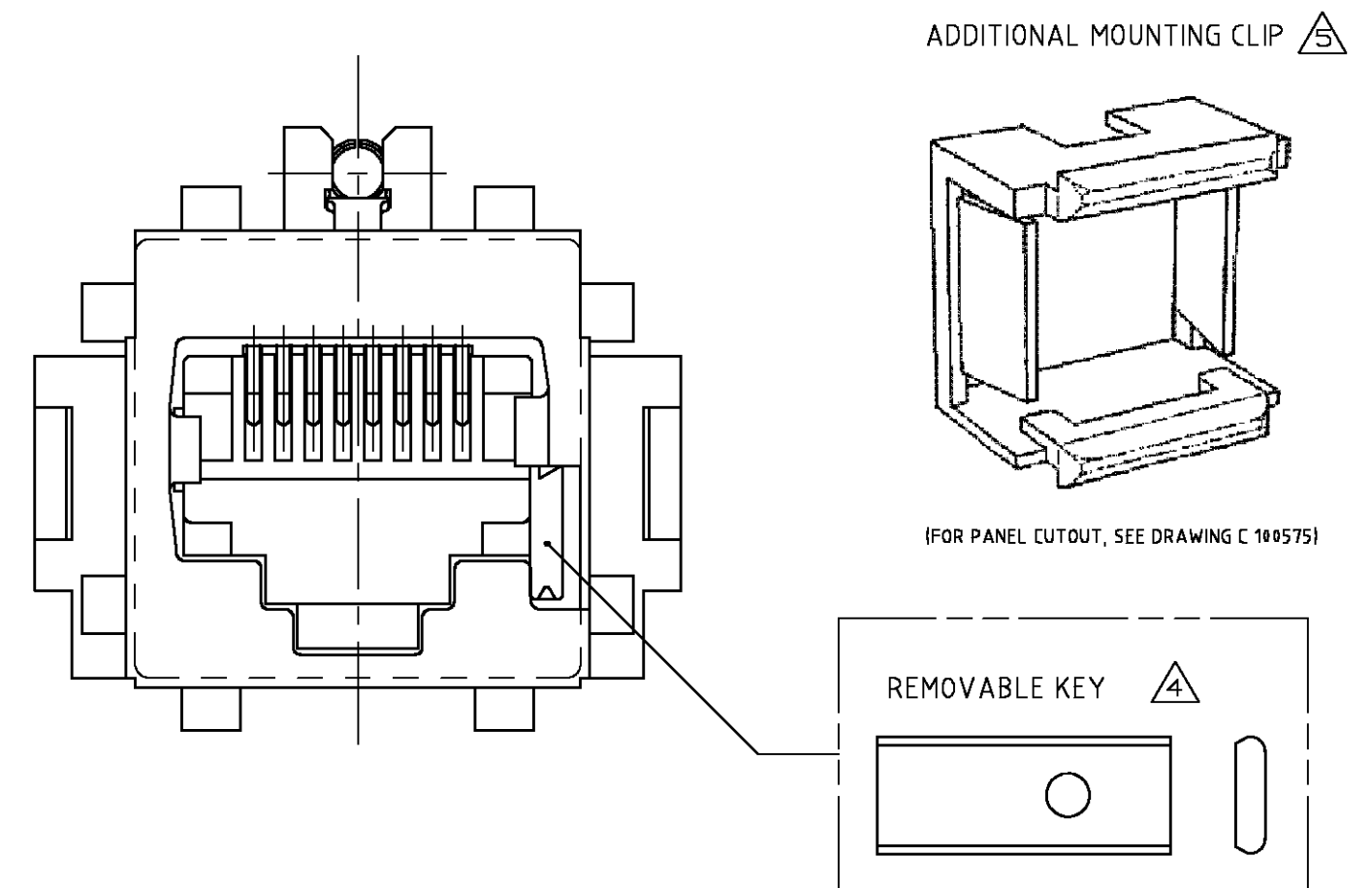
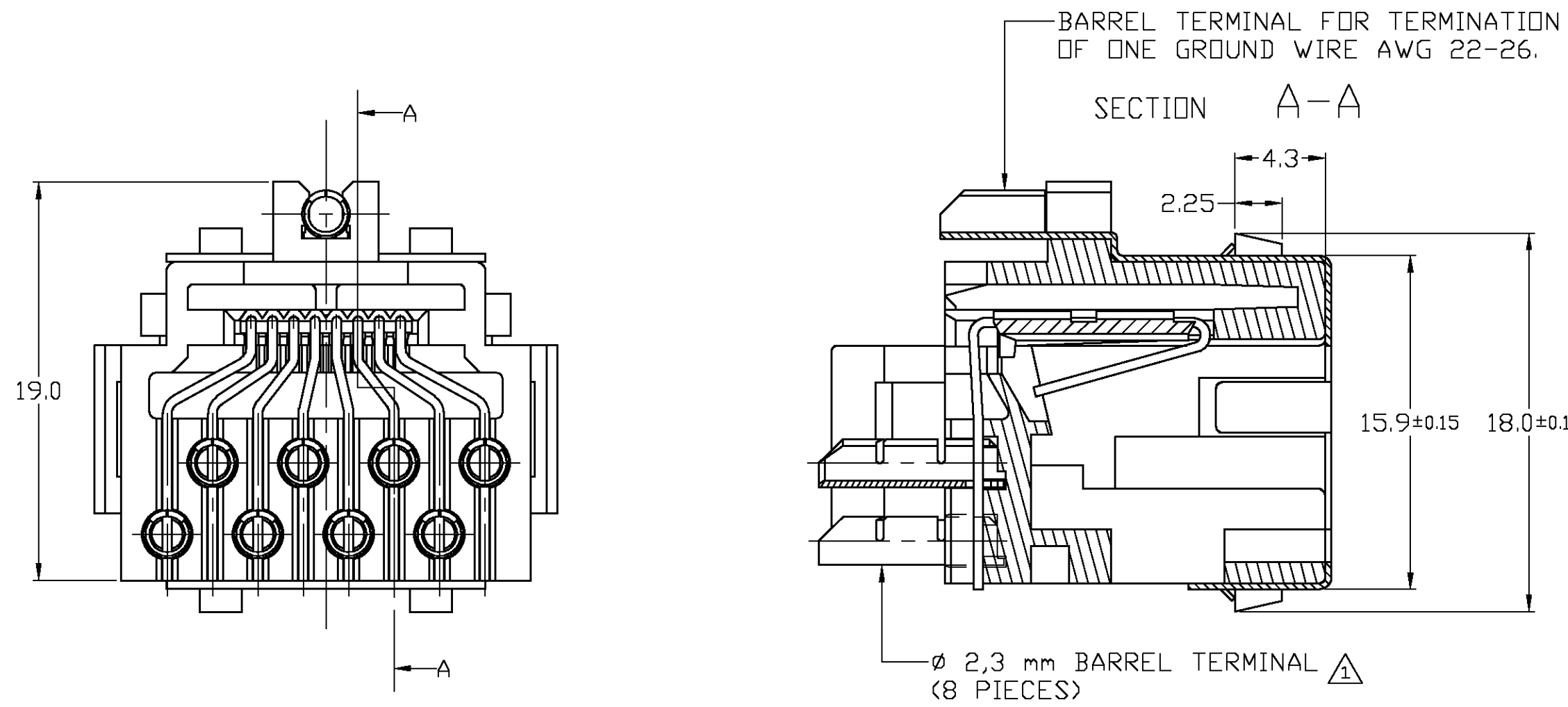
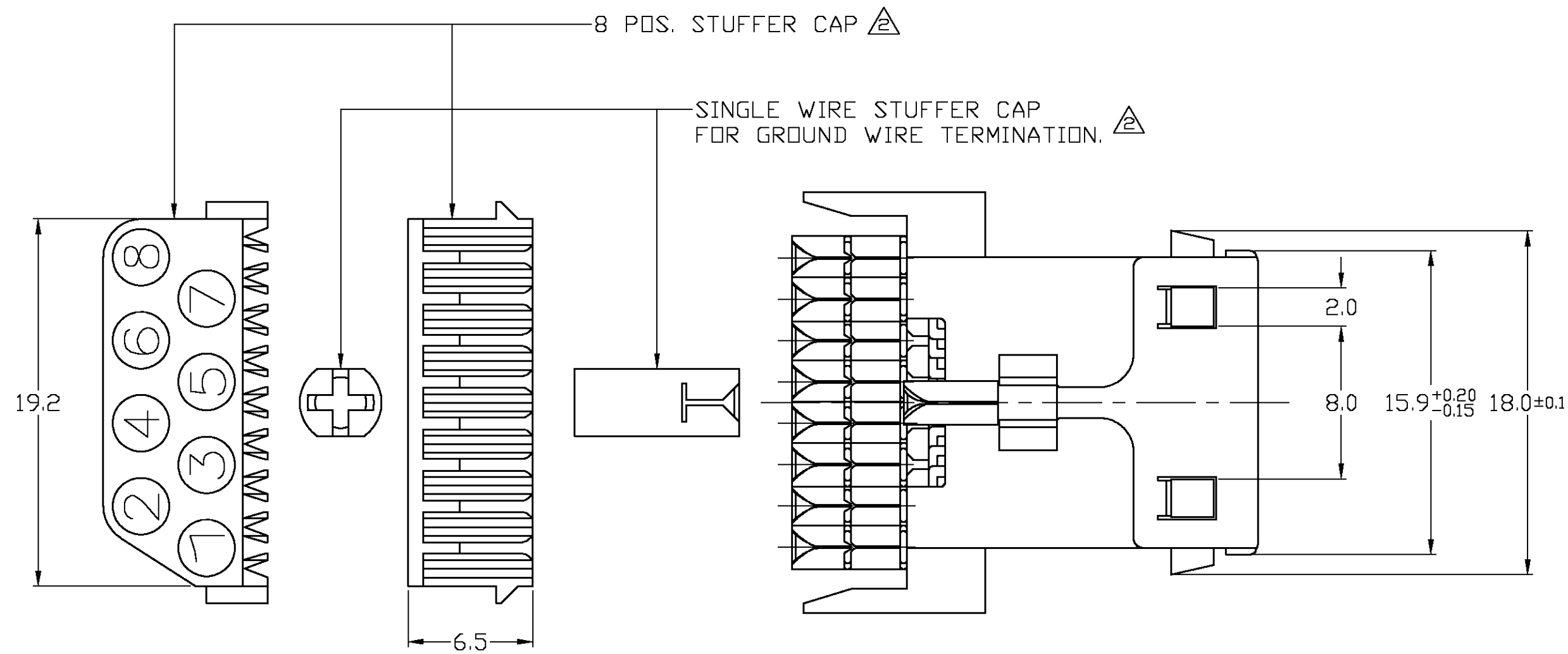
DO NOT SCALE  
DIMENSIONS IN mm

METRIC

THIRD ANGLE  
PROJECTION

NOTES:

- ⚠️ BARREL TERMINALS WILL ACCEPT ON OR TWO WIRES WITH THE SAME SIZE PER TERMINAL. WIRE RANGE FOR SOLID AND STRANDED WIRES: 0,12 mm<sup>2</sup> (AWG 26) - 0,35 mm<sup>2</sup> (AWG 22) MAXIMUM INSULATION  $\phi$ : 1,2 mm.
- ⚠️ 8 POSITION STUFFER CAP AND SINGLE WIRE STUFFER CAP ARE SHIPPED NOT ASSEMBLED.
- ⚠️ MATERIALS: 8 POS. STUFFER CAP: ABS NATURAL  
1 WIRE STUFFER CAP: NYLON  
BARREL TERMINALS: PHOS. BRONZE  
CONTACTS: PRE-TINPLATED  
PHOS. BRONZE PLATED  
1,25  $\mu$ m SELECTIVE GOLD  
OVER 1,25  $\mu$ m NICKEL  
HOUSING KEY: PBT, COLOR BLACK  
UL 94HB  
SHIELD: BRASS PRE-TINPLATED
- ⚠️ REMOVABLE KEY IS SHIPPED NOT ASSEMBLED.
- ⚠️ ADDITIONAL HARDWARE IS REQUIRED FOR PANEL MOUNTING. FOR INSTANCE MOUNTING CLIP 100575-1 (IS NOT INCLUDED).



500 PCS IN A BOX		SEE NOTE 3	SEE NOTE 3	216811-1
PACKAGING		FINISH		P/N
CUSTOMER DRAWING FOR REFERENCE ONLY WILL NOT BE UPDATED				
© COPYRIGHT 19 BY AMP HOLLAND B.V. ALL INTERNATIONAL RIGHTS RESERVED. AMP PRODUCTS MAY BE COVERED BY U.S. AND FOREIGN AND/OR PATENTS PENDING.				
THIS DRAWING IS UNPUBLISHED RELEASED FOR PUBLICATION				
G SR10-0119-01		KV	20 MAR 01	
F H-8627		J.T.	J.T.	25 OCT 93
E H-8627		J.T.	W.B.	02 AUG 93
D H-8627		J.T.	W.B.	13 APR 92
C H-8627		J.W.L.	J.T.	04 NOV 91
LTR. REVISION RECORD		DR.	CHK.	DATE
DR.: J.v.LIEMPT	CHK.: W.BRUMMANS	APP.: J.van SOEST	DWG.No.	REV.LTR. SHEET
DATE: 04 NOV 91	DATE:	DATE: 27 OCT 93	C-216811	G 1 OF 1