



Chipsmall Limited consists of a professional team with an average of over 10 year of expertise in the distribution of electronic components. Based in Hongkong, we have already established firm and mutual-benefit business relationships with customers from,Europe,America and south Asia,supplying obsolete and hard-to-find components to meet their specific needs.

With the principle of “Quality Parts,Customers Priority,Honest Operation,and Considerate Service”,our business mainly focus on the distribution of electronic components. Line cards we deal with include Microchip,ALPS,ROHM,Xilinx,Pulse,ON,Everlight and Freescale. Main products comprise IC,Modules,Potentiometer,IC Socket,Relay,Connector.Our parts cover such applications as commercial,industrial, and automotives areas.

We are looking forward to setting up business relationship with you and hope to provide you with the best service and solution. Let us make a better world for our industry!



Contact us

Tel: +86-755-8981 8866 Fax: +86-755-8427 6832

Email & Skype: info@chipsmall.com Web: www.chipsmall.com

Address: A1208, Overseas Decoration Building, #122 Zhenhua RD., Futian, Shenzhen, China

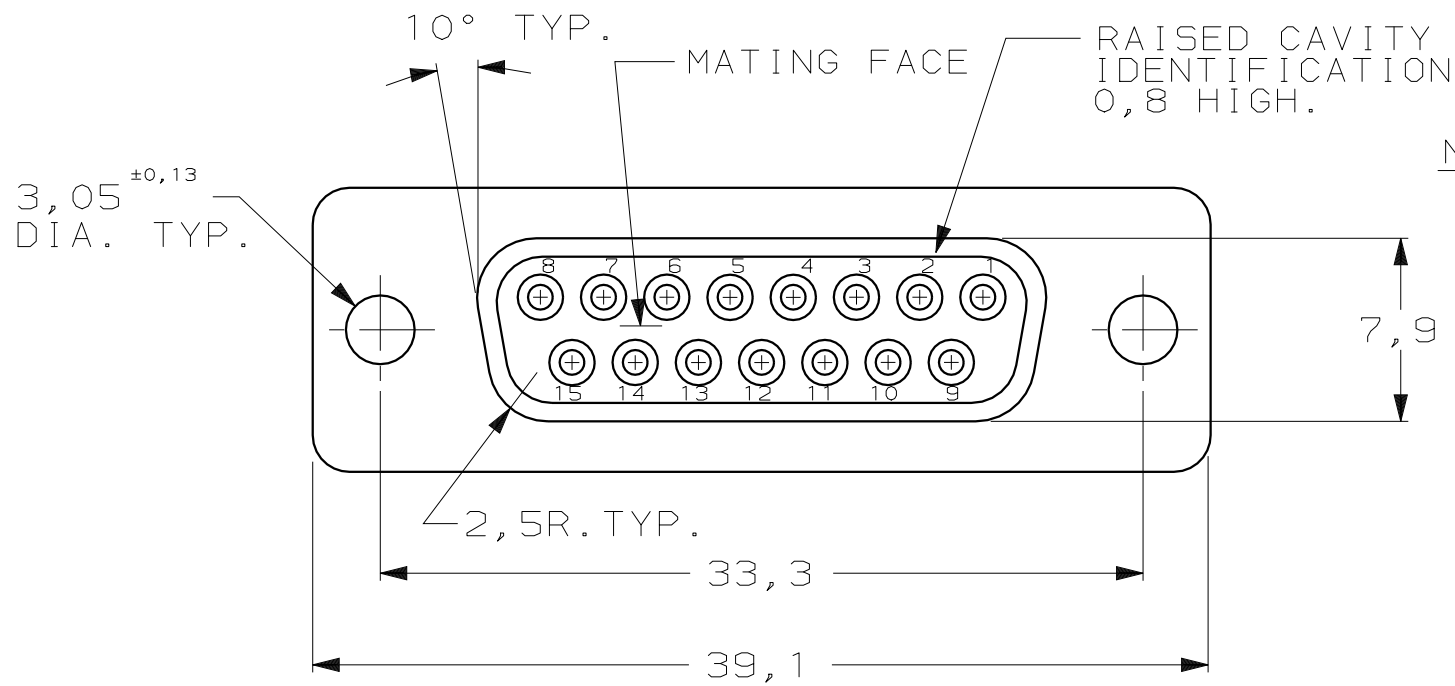
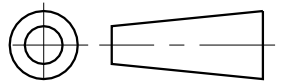


DO NOT SCALE

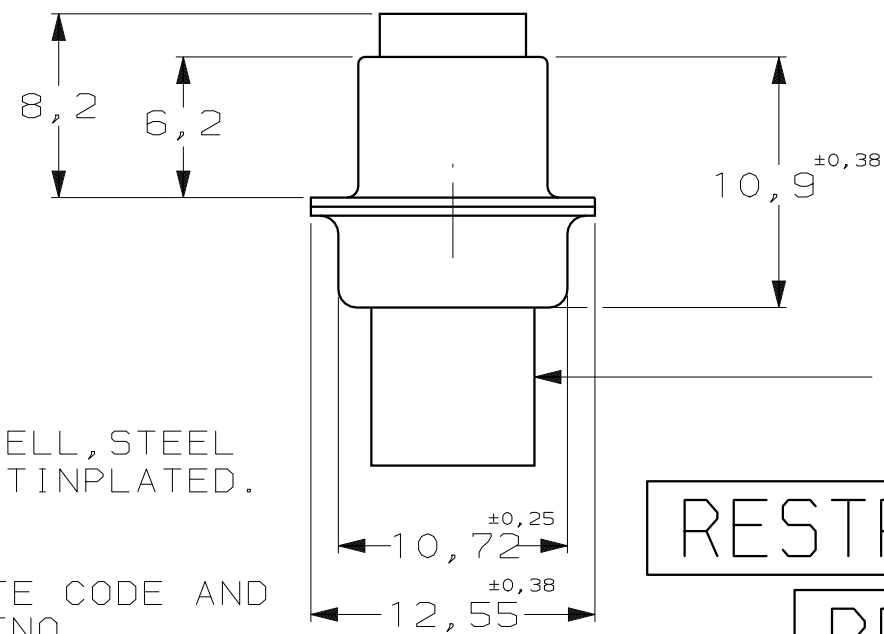
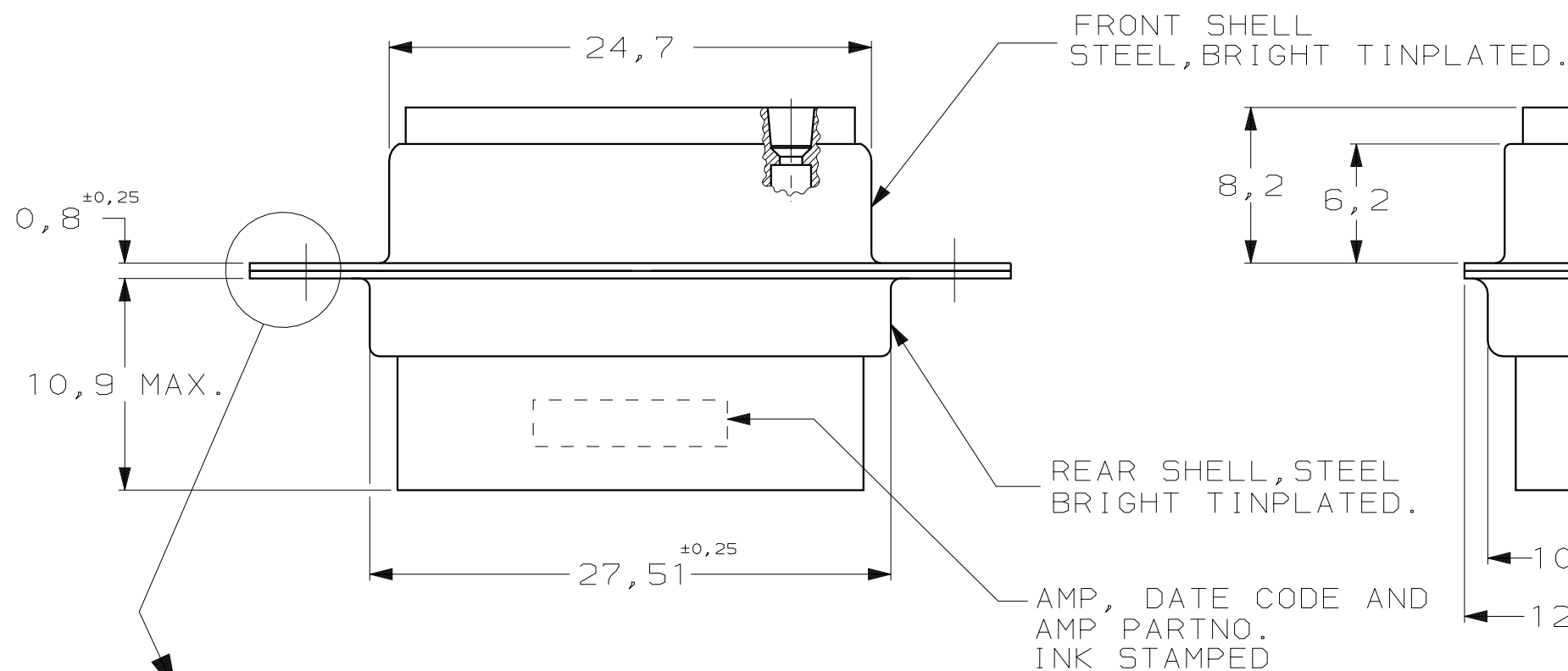
DIMENSIONS IN mm

METRIC

THIRD ANGLE
PROJECTION



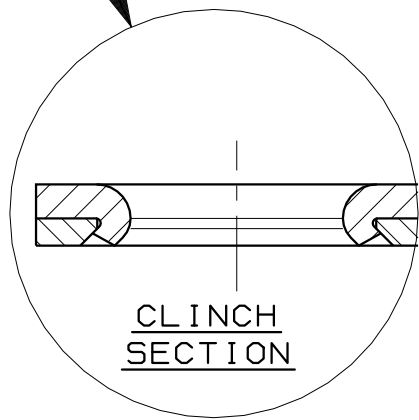
- NOTES: 1 THIS RECEPTACLE ACCEPTS SIZE 20 REC. CONTACTS.
 2 MAXIMUM WIRE INSULATION RECOMMENDED FOR USE WITH THIS RECEPTACLE IS 1,73 DIA. MAX..
 3 RETENTION TINES ARE AN INTEGRAL PART OF INSERT.
 4 FOLLOWING INSERTION/REMOVAL TOOLS ARE RECOMMENDED FOR USE WITH THESE CONNECTORS:
- | | |
|---------------------------|---------------------------|
| 32-28AWG/28-24AWG CONT'S | 24-20AWG CONTACTS |
| 91285-1 INSERTION/REMOVAL | 91285-1 INSERTION/REMOVAL |
| 726363-1 INSERTION ONLY | 726363-1 INSERTION ONLY |
| | 726364-1 REMOVAL ONLY |



INSERTS: NYLON
GLASS-FILLED
SELF-EXTINGUISHING
COLOR: BLACK

RESTRICTED TO ABB

PRELIMINARY



	SEE DRAWING	SEE DRAWING	216833-1
	FINISH	MATERIAL	PARTNUMBER
CUSTOMER DRAWING	AMP		AMP-HOLLAND B.V. s'-Hertogenbosch, The Netherlands.
	THIS DRAWING IS UNPUBLISHED		RELEASED FOR PRODUCTION, 19
	© COPYRIGHT 19- BY AMP-HOLLAND B.V. ALL INTERNATIONAL RIGHTS RESERVED. AMP PRODUCTS MAY BE COVERED BY U.S. AND FOREIGN PATENTS AND/OR PATENTS PENDING.		
DR. P. BEIJNON	DATE 03-01-90	WIRE RANGE -	NAME HDP-20 REC. CONNECTOR, SIZE 2, (15 POSITION) -SPECIAL-
CHK. B. MOOIJ	DATE 04-01-90	INSUL. RANGE -	REV. DATE 09 02 90
APP. L.V. SOEST	DATE 22-01-90	SIZE A3	SHEET 1 OF 1
		DWG. No.	216833
			REV. LTR. A

8 7 6 5 4 3 2 1