



Chipsmall Limited consists of a professional team with an average of over 10 year of expertise in the distribution of electronic components. Based in Hongkong, we have already established firm and mutual-benefit business relationships with customers from,Europe,America and south Asia,supplying obsolete and hard-to-find components to meet their specific needs.

With the principle of “Quality Parts,Customers Priority,Honest Operation,and Considerate Service”,our business mainly focus on the distribution of electronic components. Line cards we deal with include Microchip,ALPS,ROHM,Xilinx,Pulse,ON,Everlight and Freescale. Main products comprise IC,Modules,Potentiometer,IC Socket,Relay,Connector.Our parts cover such applications as commercial,industrial, and automotives areas.

We are looking forward to setting up business relationship with you and hope to provide you with the best service and solution. Let us make a better world for our industry!



## Contact us

Tel: +86-755-8981 8866 Fax: +86-755-8427 6832

Email & Skype: info@chipsmall.com Web: www.chipsmall.com

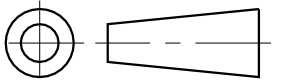
Address: A1208, Overseas Decoration Building, #122 Zhenhua RD., Futian, Shenzhen, China



DO NOT SCALE

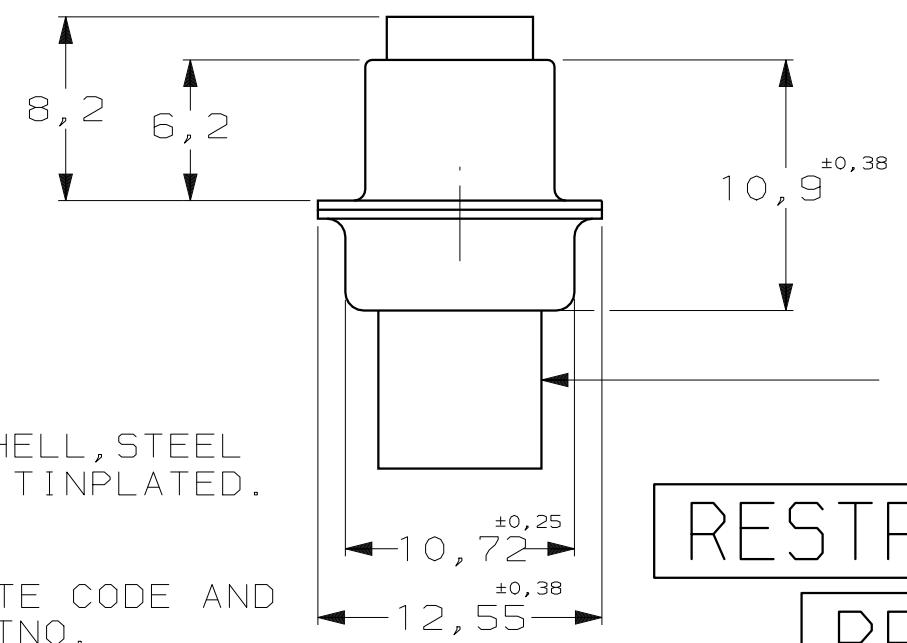
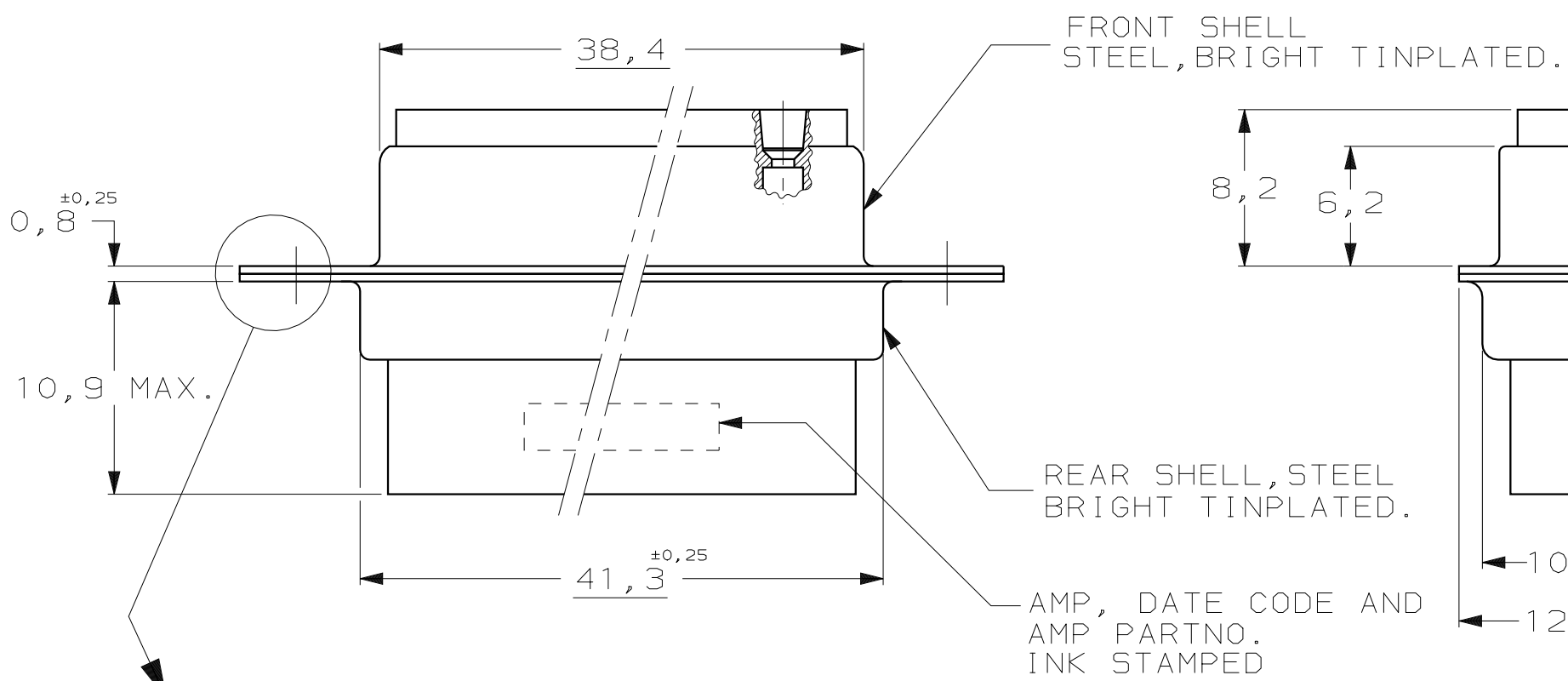
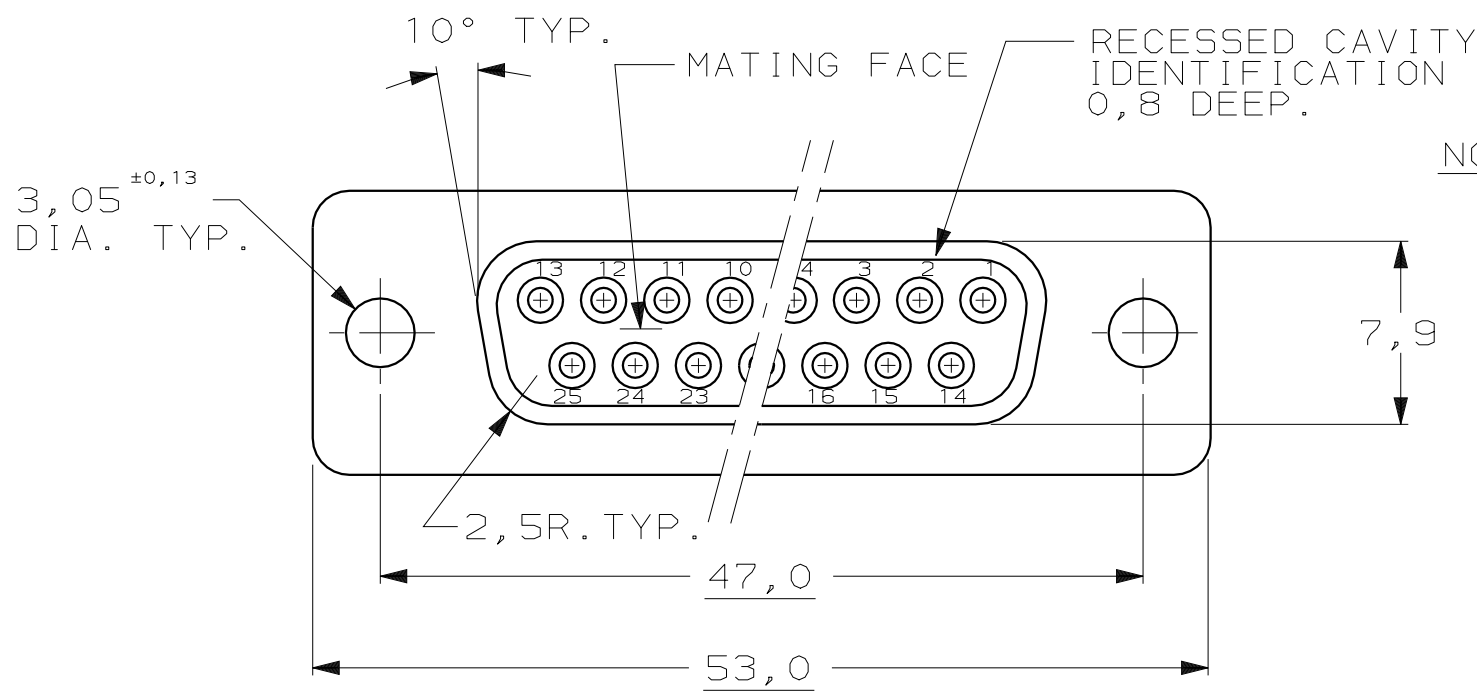
METRIC

THIRD ANGLE  
PROJECTION



DIMENSIONS IN mm

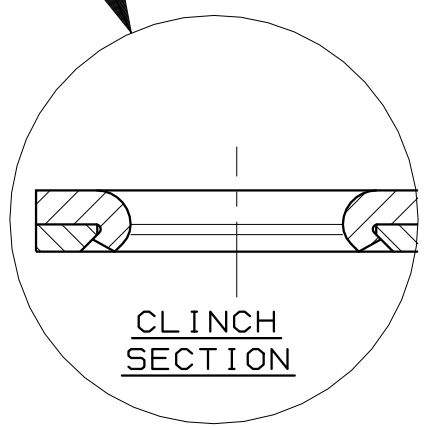
- NOTES: 1 THIS RECEPTACLE ACCEPTS SIZE 20 REC. CONTACTS.  
 2 MAXIMUM WIRE INSULATION RECOMMENDED FOR USE WITH THIS RECEPTACLE IS 1,73 DIA. MAX..  
 3 RETENTION TINES ARE AN INTEGRAL PART OF INSERT.  
 4 FOLLOWING INSERTION/REMOVAL TOOLS ARE RECOMMENDED FOR USE WITH THESE CONNECTORS:
- |                           |                           |
|---------------------------|---------------------------|
| 32-28AWG/28-24AWG CONT'S  | 24-20AWG CONTACTS         |
| 91285-1 INSERTION/REMOVAL | 91285-1 INSERTION/REMOVAL |
| 726363-1 INSERTION ONLY   | 726363-1 INSERTION ONLY   |
|                           | 726364-1 REMOVAL ONLY     |



INSERTS: NYLON  
GLASS-FILLED  
SELF-EXTINGUISHING  
COLOR: BLACK

RESTRICTED TO ABB

PRELIMINARY



	SEE DRAWING	SEE DRAWING	216834-1
	FINISH	MATERIAL	PARTNUMBER
CUSTOMER DRAWING	<b>AMP</b> AMP-HOLLAND B.V. s'-Hertogenbosch, The Netherlands.		
	THIS DRAWING IS UNPUBLISHED. RELEASED FOR PRODUCTION		
FOR REFERENCE ONLY WILL NOT BE UPDATED	© COPYRIGHT 19- BY AMP-HOLLAND B.V. ALL INTERNATIONAL RIGHTS RESERVED. AMP PRODUCTS MAY BE COVERED BY U.S. AND FOREIGN PATENTS AND/OR PATENTS PENDING.		
DR. P. BEIJNON	DATE 03-01-90	WIRE RANGE -	NAME HDP-20 REC. CONNECTOR, SIZE 3, (25 POSITION) -SPECIAL
CHK. B. MOOIJ	DATE 05-01-90	INSUL. RANGE -	REV. DATE 09 02 90
APP. L.V. SOEST	DATE 22-01-90	SIZE A3	SHEET 1 OF 1
		DWG. No. 216834	REV. LTR. A

8 7 6 5 4 3 2 1