



Chipsmall Limited consists of a professional team with an average of over 10 year of expertise in the distribution of electronic components. Based in Hongkong, we have already established firm and mutual-benefit business relationships with customers from,Europe,America and south Asia,supplying obsolete and hard-to-find components to meet their specific needs.

With the principle of “Quality Parts,Customers Priority,Honest Operation,and Considerate Service”,our business mainly focus on the distribution of electronic components. Line cards we deal with include Microchip,ALPS,ROHM,Xilinx,Pulse,ON,Everlight and Freescale. Main products comprise IC,Modules,Potentiometer,IC Socket,Relay,Connector.Our parts cover such applications as commercial,industrial, and automotives areas.

We are looking forward to setting up business relationship with you and hope to provide you with the best service and solution. Let us make a better world for our industry!



Contact us

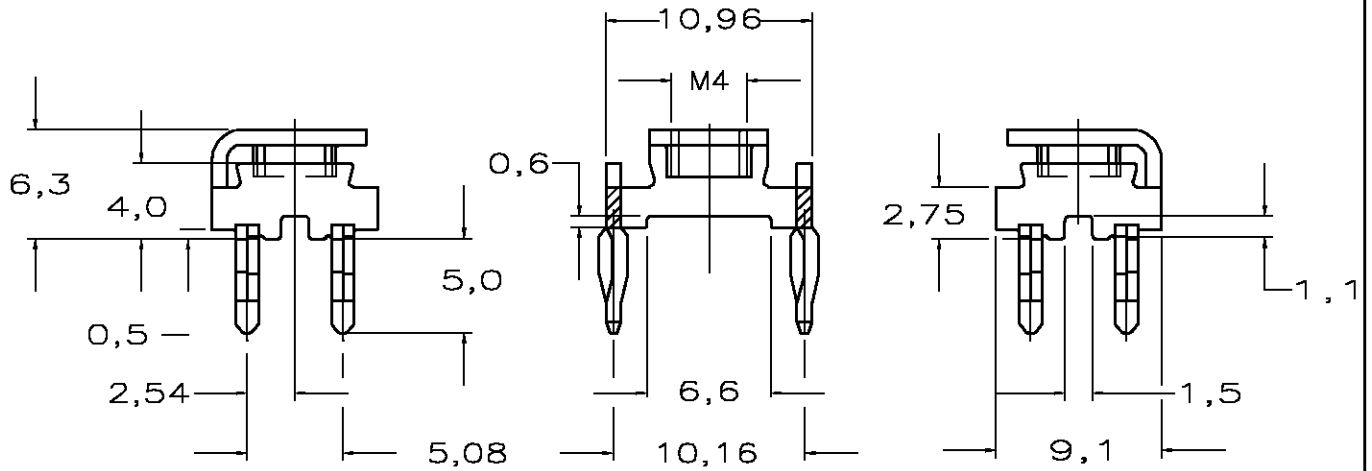
Tel: +86-755-8981 8866 Fax: +86-755-8427 6832

Email & Skype: info@chipsmall.com Web: www.chipsmall.com

Address: A1208, Overseas Decoration Building, #122 Zhenhua RD., Futian, Shenzhen, China

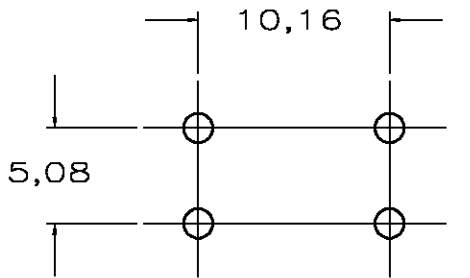


LOC H	DIST —	REVISIONS			
P	LTR	DESCRIPTION	DATE	DWN	APVD
	C	ECR-05-006211	13JUL05	CJF	JB



NOTES :

- 1 PLATING: Sn PLATE TO ASTM B 545 AND NI UNDERCOAT TO ASTM B 571 ALL OVER
- 2 MATERIAL THICKNESS 0,8 mm .


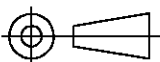


RECOMMENDED BOARD LAYOUT

THIS DRAWING IS UNPUBLISHED.

ALL RIGHTS RESERVED.

COPYRIGHT © BY TYCO ELECTRONICS CORPORATION.

DIMENSIONS: MM		DWN S.MEEUWSEN 13FEB90	MATERIAL —	PHOSPHORBRONZE	216906-1
TOLERANCES UNLESS OTHERWISE SPECIFIED:		CHK R.V.LOKVEN 03APR90	FINISH —	MATERIAL	PART NUMBER
0 PLC ± -		APVD L.V. SOEST 03APR90	 Tyco Electronics Corporation s-Hertogenbosch, Nederland,		
1 PLC ± -		PRODUCT SPEC 108-19059			
2 PLC ± -		APPLICATION SPEC —	NAME POWER TERMINAL WITH ACTION PIN (1,6-3,2 P.C.BOARD THK'S.)		
3 PLC ± -		WEIGHT —	SIZE A4	CAGE CODE 00779	DRAWING NO C-216906
4 PLC ± -			RESTRICTED TO —		
ANGLES ± -			SCALE 1:1		
		CUSTOMER DRAWING		SHEET 1 OF 1	REV C