



Chipsmall Limited consists of a professional team with an average of over 10 year of expertise in the distribution of electronic components. Based in Hongkong, we have already established firm and mutual-benefit business relationships with customers from,Europe,America and south Asia,supplying obsolete and hard-to-find components to meet their specific needs.

With the principle of “Quality Parts,Customers Priority,Honest Operation,and Considerate Service”,our business mainly focus on the distribution of electronic components. Line cards we deal with include Microchip,ALPS,ROHM,Xilinx,Pulse,ON,Everlight and Freescale. Main products comprise IC,Modules,Potentiometer,IC Socket,Relay,Connector.Our parts cover such applications as commercial,industrial, and automotives areas.

We are looking forward to setting up business relationship with you and hope to provide you with the best service and solution. Let us make a better world for our industry!



Contact us

Tel: +86-755-8981 8866 Fax: +86-755-8427 6832

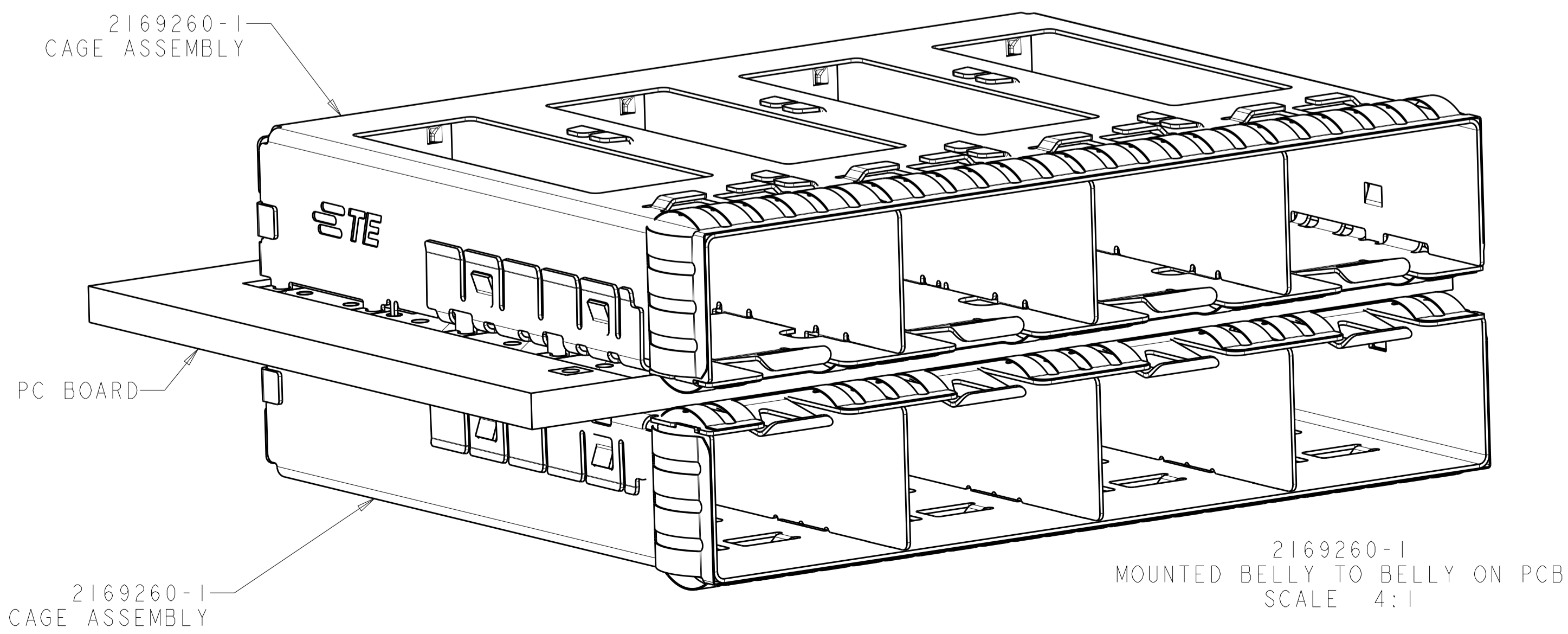
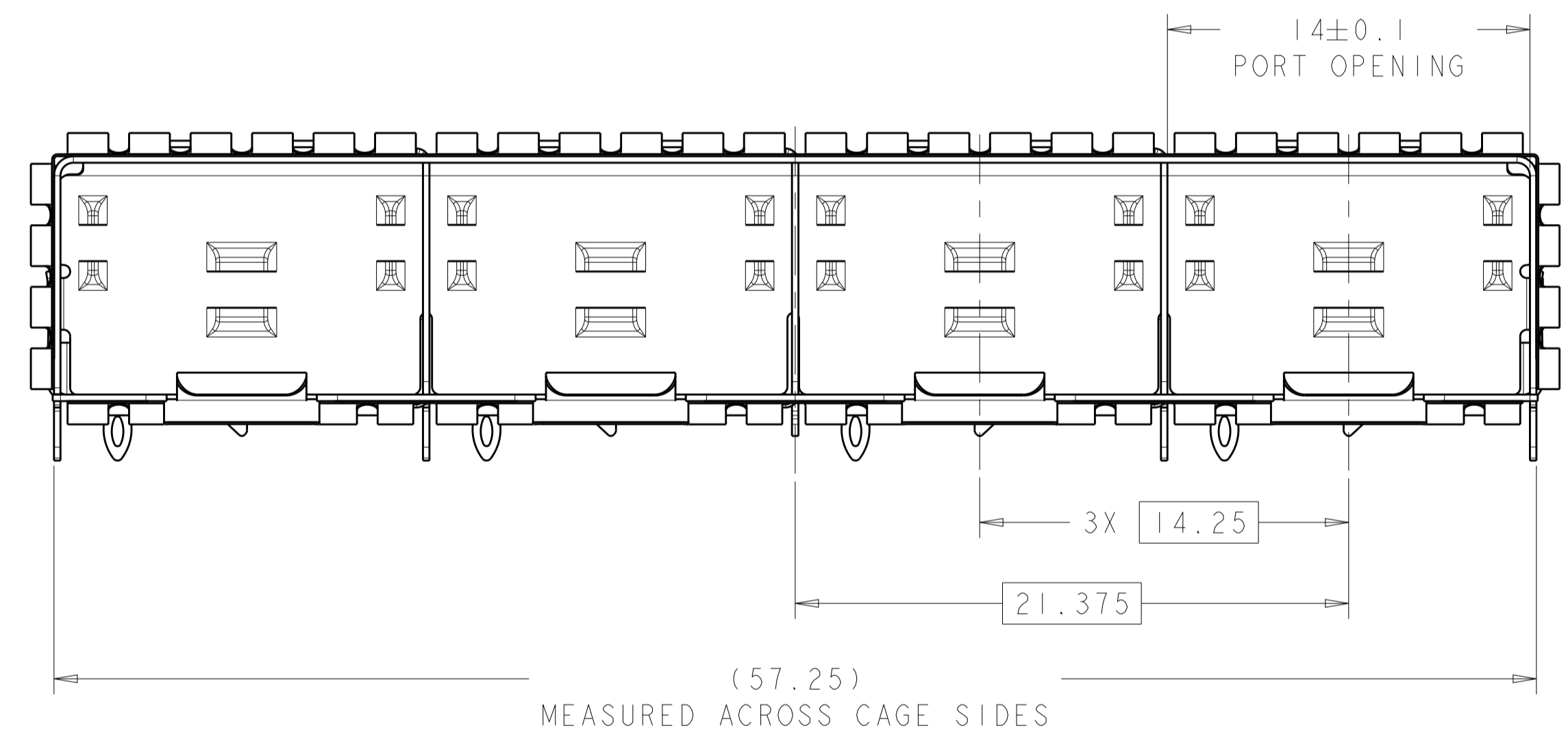
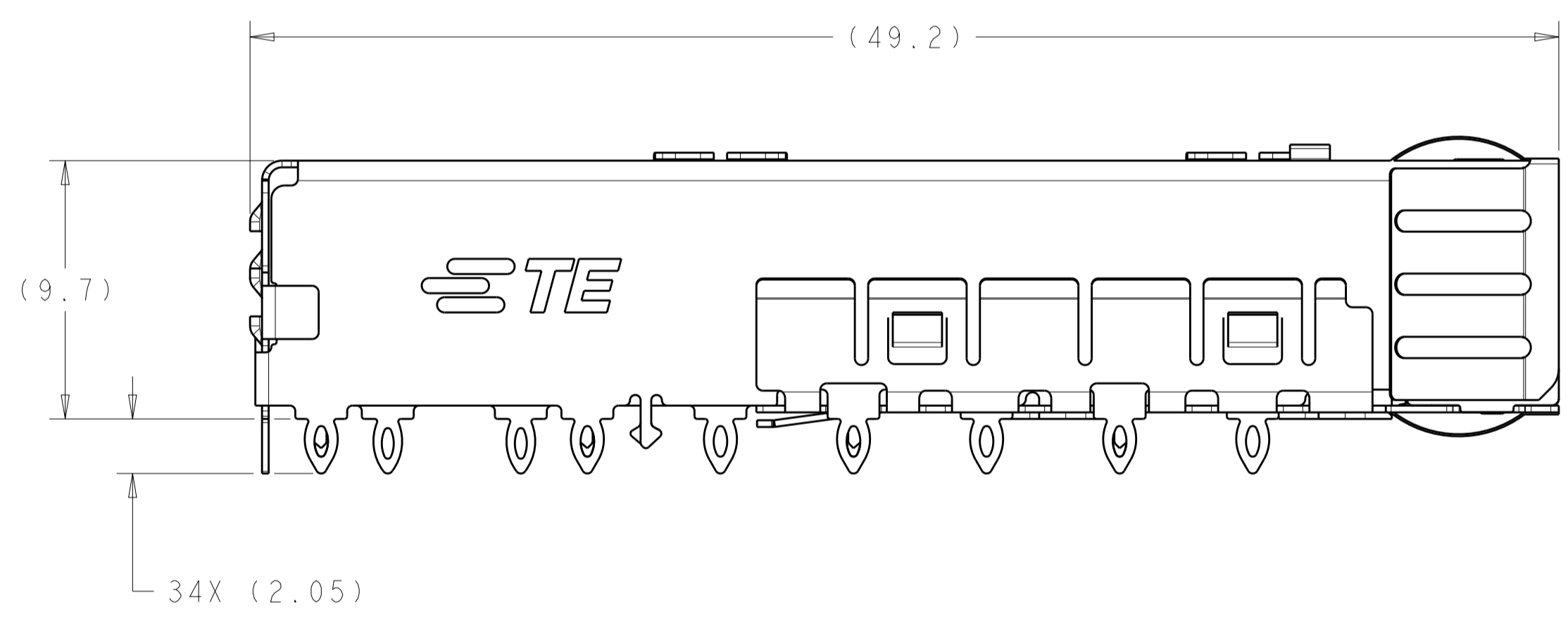
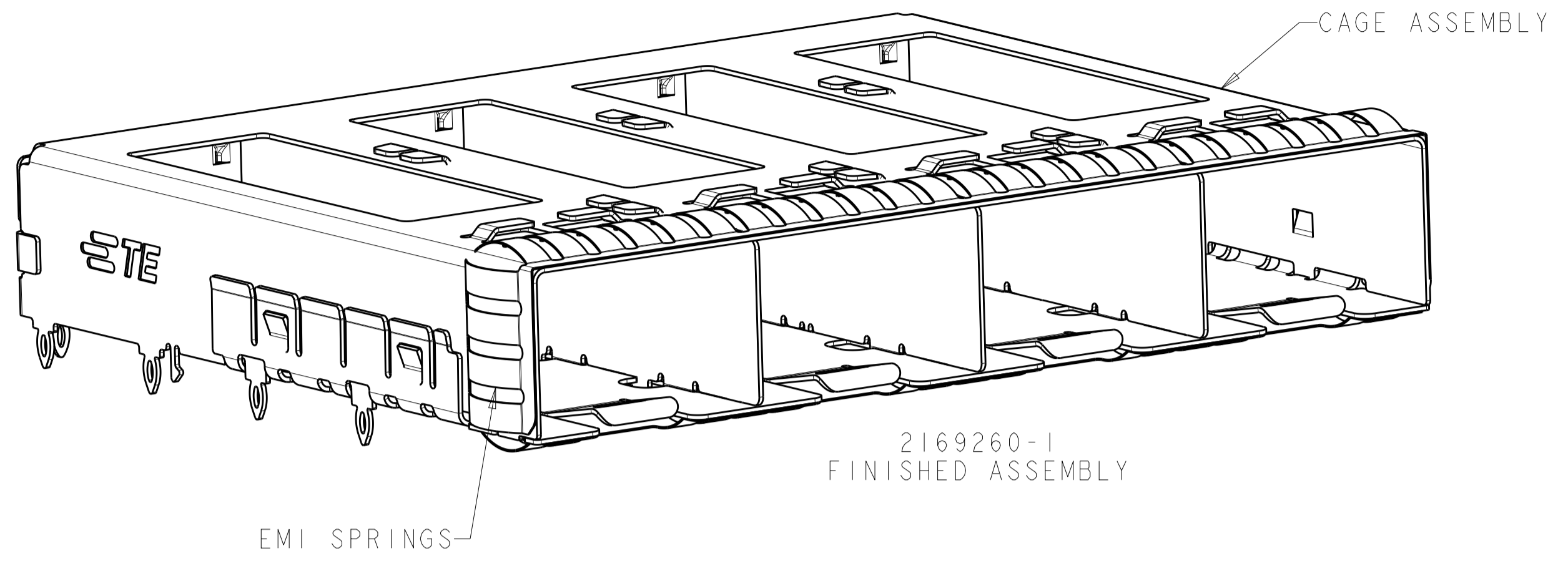
Email & Skype: info@chipsmall.com Web: www.chipsmall.com

Address: A1208, Overseas Decoration Building, #122 Zhenhua RD., Futian, Shenzhen, China



LOC	DIST	REVISIONS			
P	LTN	DESCRIPTION	DATE	DWN	APVD
A		RELEASED PER ECO-12-013192	10OCT2012	BMM	MRS

- 1. MATERIAL: CAGE ASSEMBLY: 0.25mm THICK NICKEL SILVER ALLOY.
EMI SPRINGS: COPPER ALLOY
- 2. FINISH
SPRINGS: MINIMUM OF 0.8um MATTE TIN PLATED OVER A MINIMUM OF 0.8um NICKEL UNDERPLATE.
NON-PLATED EDGES PERMISSIBLE.
- 3. PADS AND VIAS CHASSIS GROUND.
- 4. DATUM AND BASIC DIMENSION ESTABLISHED BY CUSTOMER.
- 5. MATES WITH SFP MSA COMPLIANT TRANSCEIVERS.
- 6. INTERPRETATION OF DATUM REFERENCE FRAME IN ACCORDANCE WITH SECT 4.4.1.1 OF ASME Y14.5M-1994.
- 7. REFERENCE APPLICATION SPEC. 114-13120, HOLE A, FOR RECOMMENDED DRILL HOLE DIAMETER AND PLATING THICKNESS.
- 8. REFERENCE APPLICATION SPEC. 114-13120, HOLE B, FOR RECOMMENDED DRILL HOLE DIAMETER AND PLATING THICKNESS.
- 9. HOLE PATTERN REPEATS FOR EACH PORT. SPACING BETWEEN PORTS IS 14.25mm.
- 10. MINIMUM PCB THICKNESS:
SINGLE SIDED = 1.50
DOUBLE SIDED = 2.25
- 11. CERTAIN MATING TRANSCEIVERS MAY REQUIRE ADDITIONAL PCB THICKNESS THAT WOULD NEED TO BE DETERMINED BY THE CUSTOMER.
- 12. PRODUCT COMPLIES WITH WITH SPECIFICATION SFF-8433 IMPROVED PLUGGABLE FORM FACTOR FOR SFP+ GANGED CAGES.

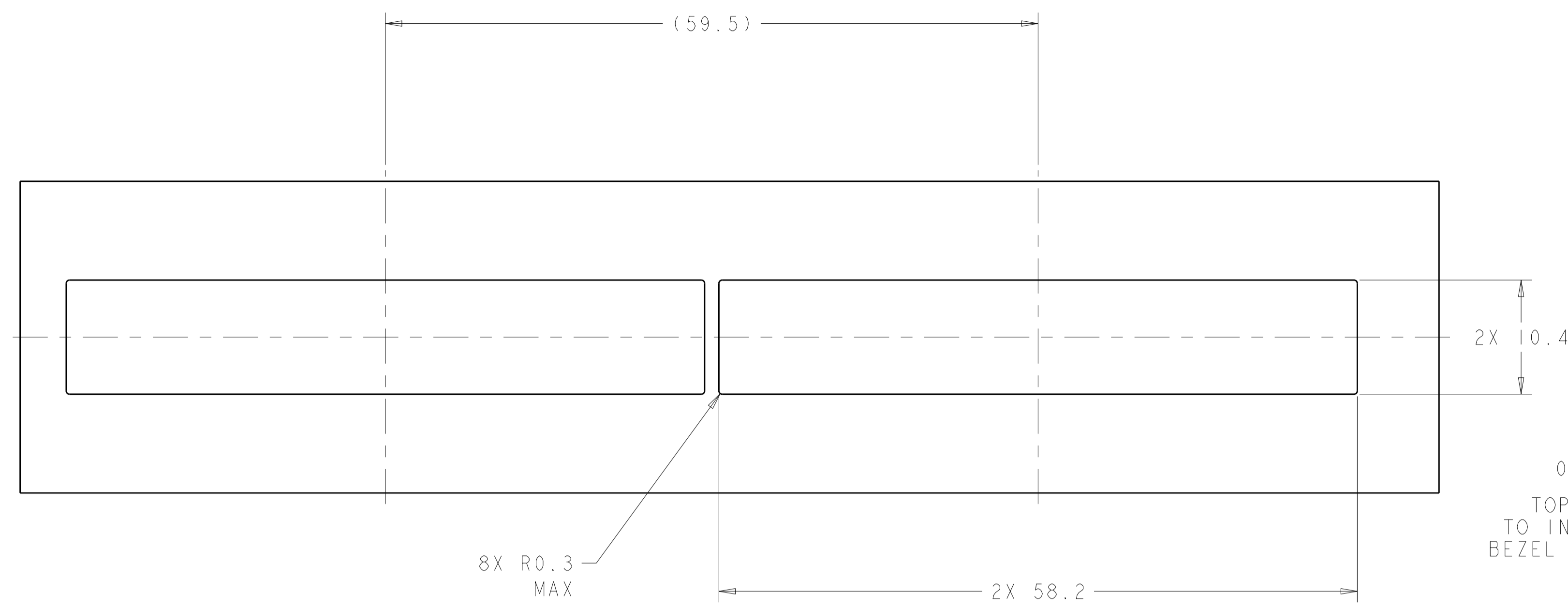


2169260-1
PART NUMBER

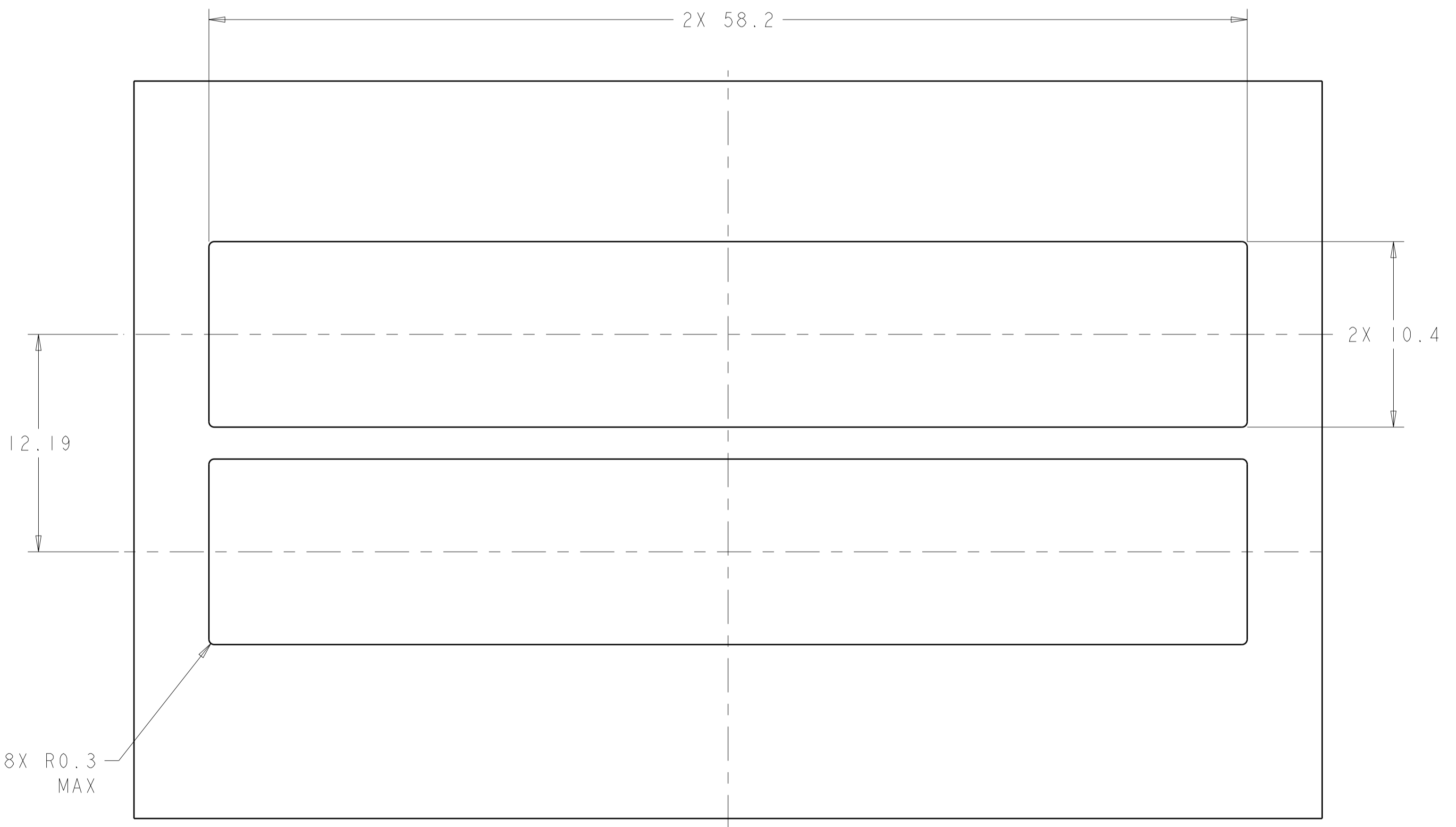
THIS DRAWING IS A CONTROLLED DOCUMENT.		DWN: B. MATTHEWS 10DEC2010	TE Connectivity	
DIMENSIONS: mm		CHK: M. SCHMITT 10DEC2010		
TOLERANCES UNLESS OTHERWISE SPECIFIED:		APVD: M. SCHMITT 10DEC2010	NAME: SFP+ ENHANCED 1X4 CAGE ASSEMBLY PRESS FIT, EXTERNAL EMI SPRINGS	
0 PLC	±0.1	PRODUCT SPEC	SIZE: CAGE CODE DRAWING NO	
1 PLC	±0.1	108-2364	RESTRICTED TO	
2 PLC	±0.1	APPLICATION SPEC	A100779C=2169260	
3 PLC	±0.1	114-13120	SCALE 5:1 SHEET 1 OF 4 REV A	
4 PLC	±0.1	WEIGHT	Customer Drawing	
ANGLES	±1°			

LOC	DIST	REV	DATE	BY	APPV
GP	00				

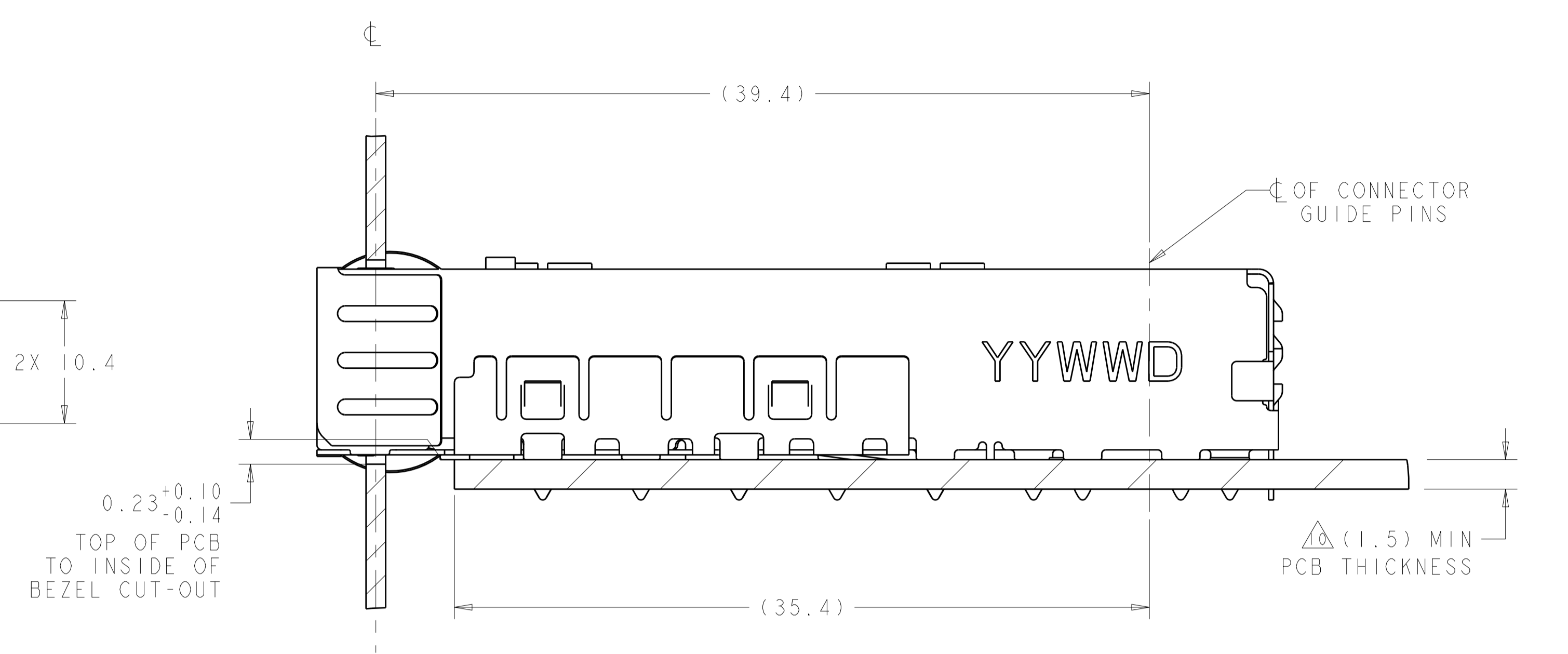
REVISIONS			
NO.	DESCRIPTION	DATE	BY
-	SEE SHEET 1	-	-



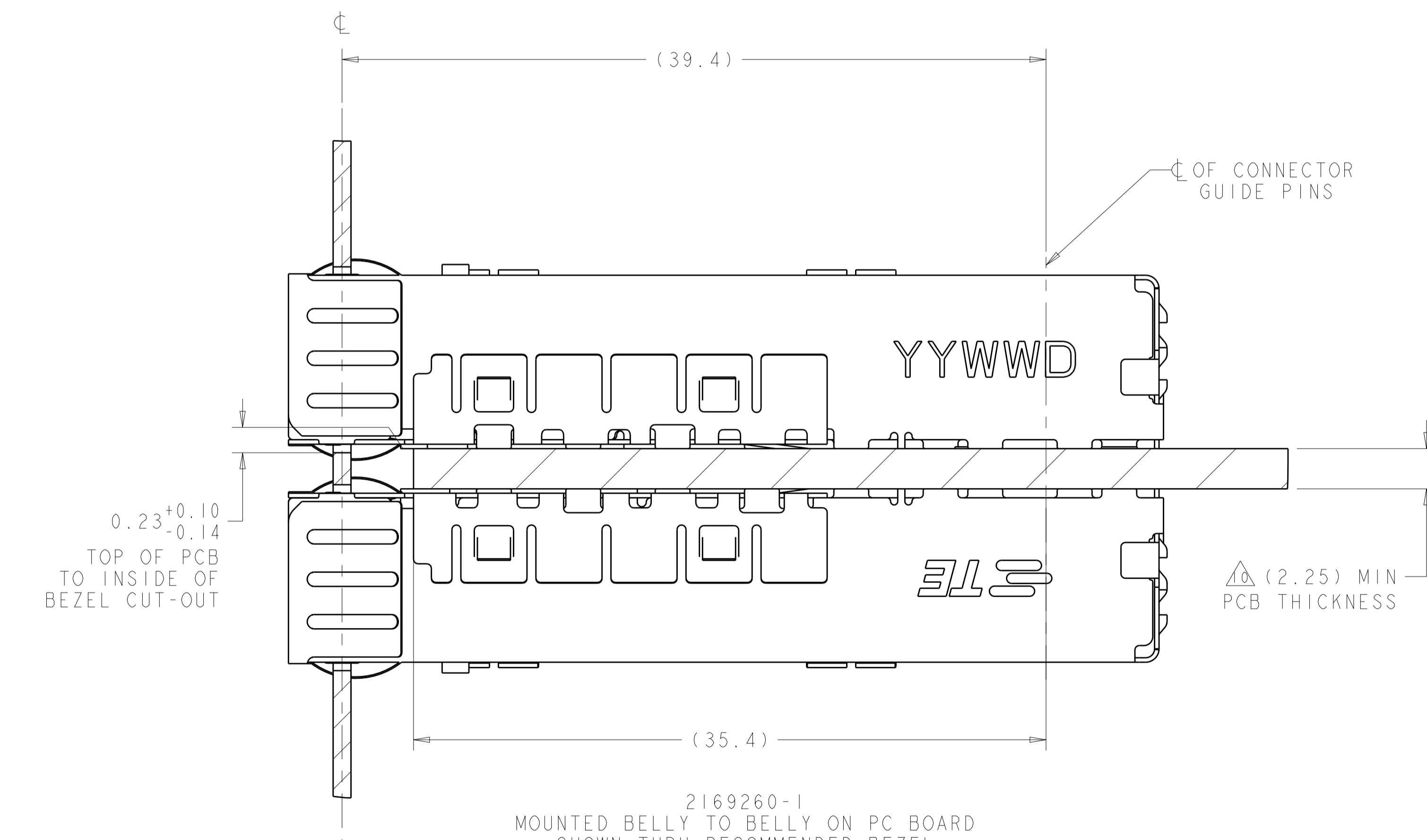
RECOMMENDED BEZEL CUT-OUT
 SINGLE SIDED APPLICATIONS
 SCALE 3:1




RECOMMENDED BEZEL CUT-OUT
 BELLY TO BELLY APPLICATIONS



2169260-1
 MOUNTED ON PC BOARD
 SHOWN THRU RECOMMENDED BEZEL

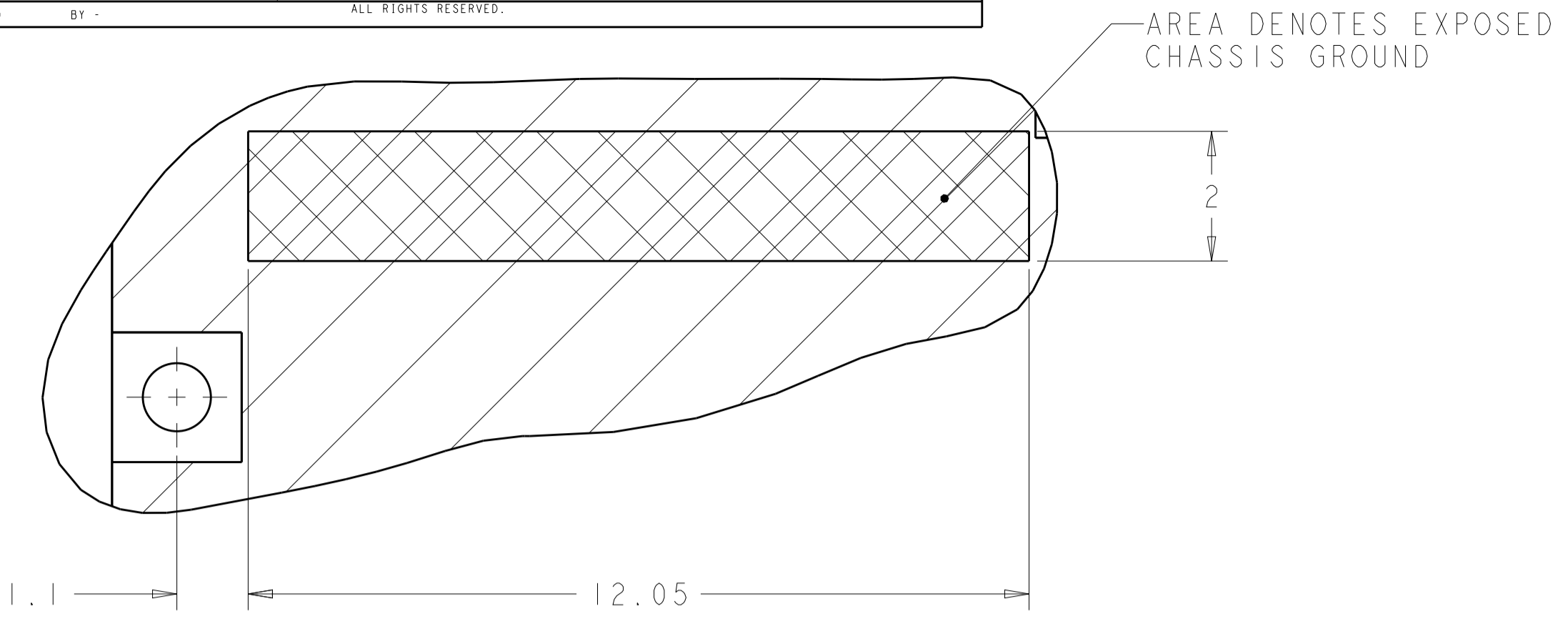


2169260-1
 MOUNTED BELLY TO BELLY ON PC BOARD
 SHOWN THRU RECOMMENDED BEZEL

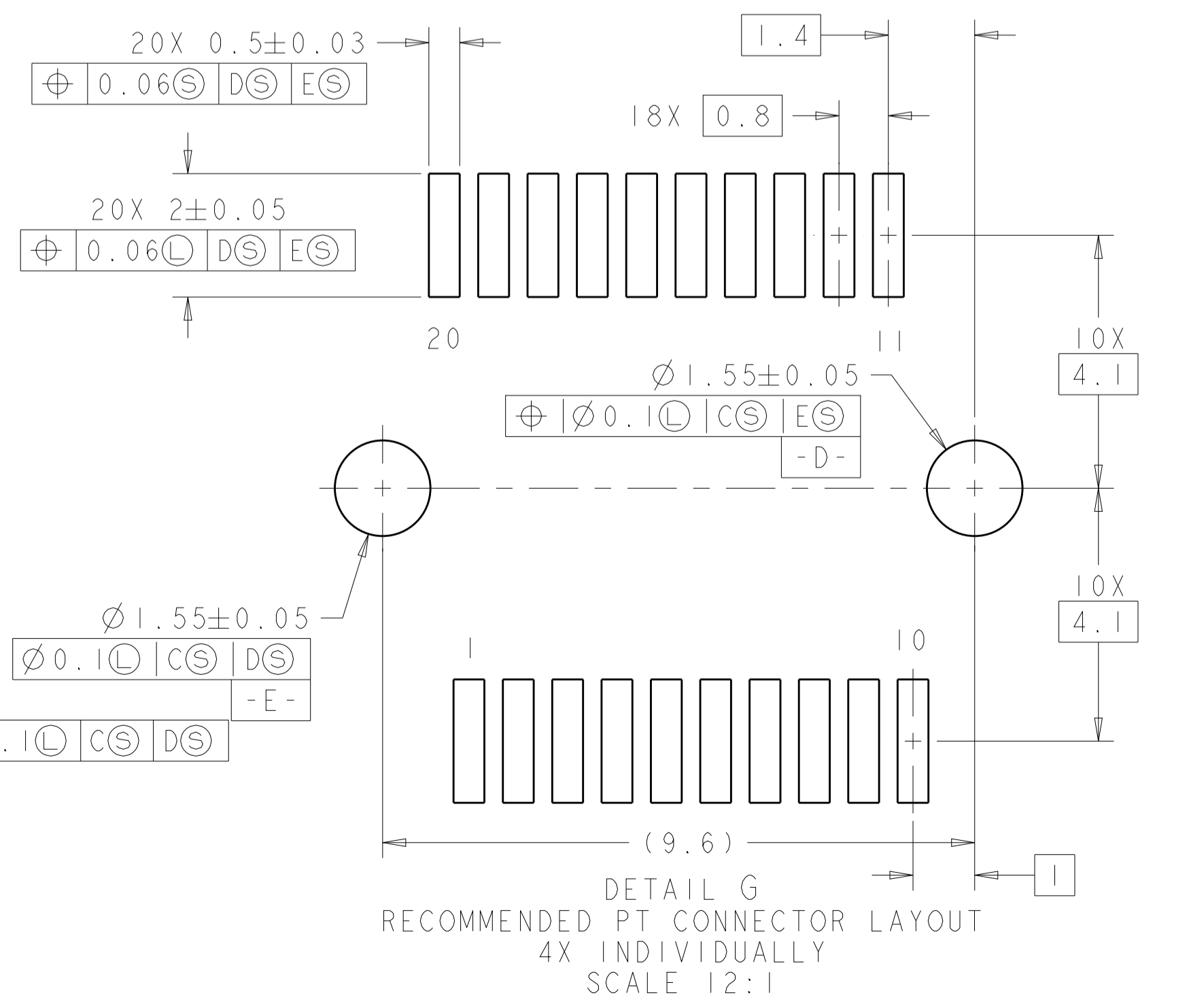
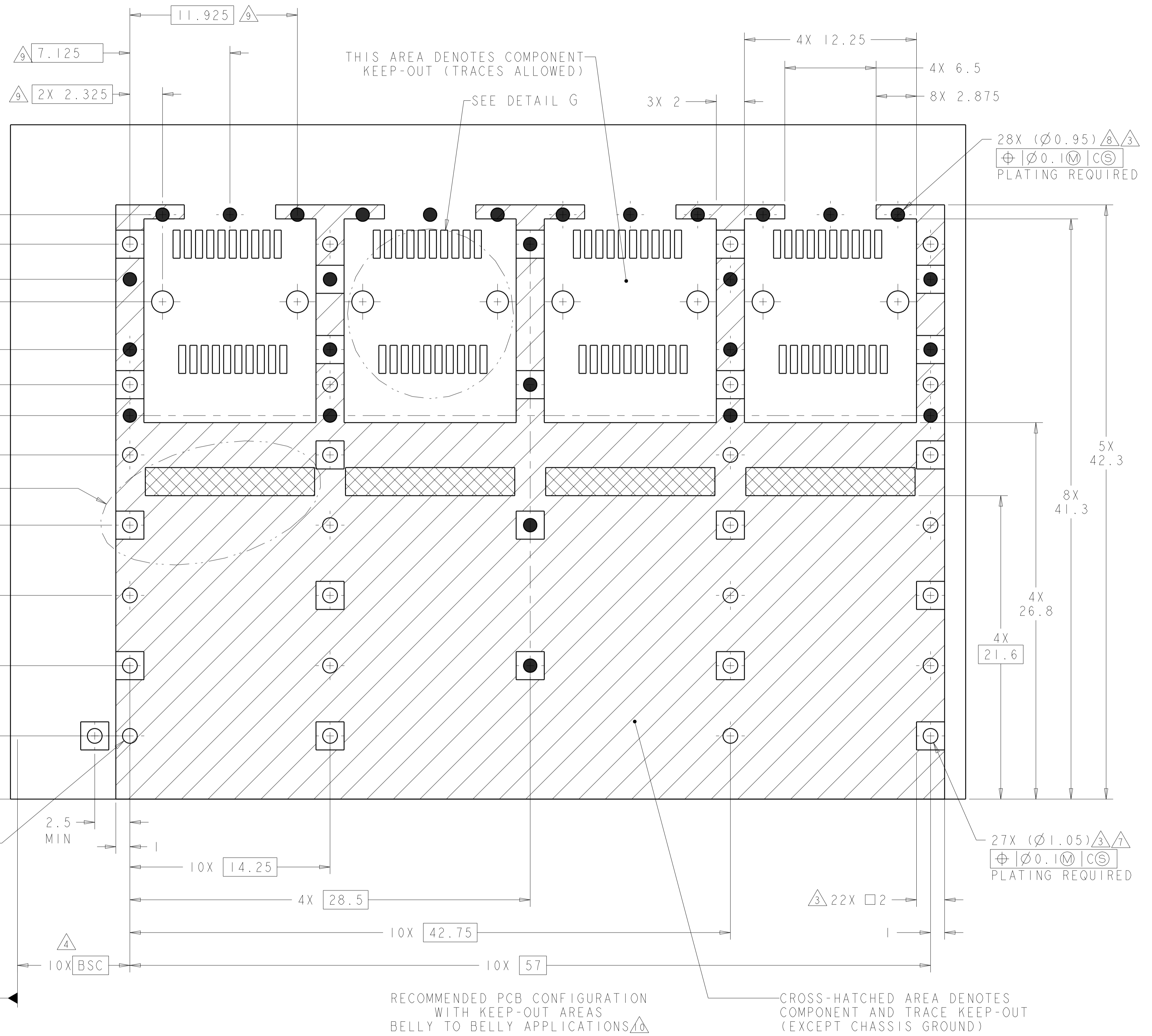
THIS DRAWING IS A CONTROLLED DOCUMENT.		OWN: B. MATTHEWS	DATE: 10DEC2010	 TE Connectivity
DIMENSIONS: mm		CHK: M. SCHMITT	DATE: 10DEC2010	
TOLERANCES UNLESS OTHERWISE SPECIFIED:		APVD: M. SCHMITT	DATE: 10DEC2010	NAME: SFP+ ENHANCED 1X4 CAGE ASSEMBLY PRESS FIT, EXTERNAL EMI SPRINGS
0 PLC ±0.1		PRODUCT SPEC	108-2364	
1 PLC ±0.1		APPLICATION SPEC	114-13120	SIZE: A1
2 PLC ±0.1		WEIGHT	-	CAGE CODE: 2169260
3 PLC ±0.1		FINISH	-	SCALE: 5:1
4 PLC ±0.1				SHEET: 2 OF 4
ANGLES ±1°				REV: A
MATERIAL				
Customer Drawing				

LOC	DIST	REV	DATE	BY	APPV
GP	00				

REVISIONS					
NO.	DESCRIPTION	DATE	BY	APPV	
1	SEE SHEET 1				



DETAIL B
4X INDIVIDUALLY
SCALE 12:1



THIS DRAWING IS A CONTROLLED DOCUMENT.		OWN: B. MATTHEWS	DATE: 10DEC2010		TE Connectivity
DIMENSIONS: mm		CHK: M. SCHMITT	DATE: 10DEC2010		NAME: SFP+ ENHANCED 1X4 CAGE ASSEMBLY PRESS FIT, EXTERNAL EMI SPRINGS
TOLERANCES UNLESS OTHERWISE SPECIFIED:		APVD: M. SCHMITT	DATE: 10DEC2010	PRODUCT SPEC: 108-2364	
0 PLC ±0.1		APPLICATION SPEC: 114-13120		SIZE: CAGE CODE DRAWING NO: A100779C=2169260	
1 PLC ±0.1		WEIGHT: -		RESTRICTED TO: -	
2 PLC ±0.1		MATERIAL: -		SCALE: 5:1 SHEET 4 OF 4 REV A	
3 PLC ±0.1		FINISH: -		Customer Drawing	
4 PLC ±0.1		ANGLES: ±1°			