



Chipsmall Limited consists of a professional team with an average of over 10 year of expertise in the distribution of electronic components. Based in Hongkong, we have already established firm and mutual-benefit business relationships with customers from,Europe,America and south Asia,supplying obsolete and hard-to-find components to meet their specific needs.

With the principle of "Quality Parts,Customers Priority,Honest Operation,and Considerate Service",our business mainly focus on the distribution of electronic components. Line cards we deal with include Microchip,ALPS,ROHM,Xilinx,Pulse,ON,Everlight and Freescale. Main products comprise IC,Modules,Potentiometer,IC Socket,Relay,Connector.Our parts cover such applications as commercial,industrial, and automotives areas.

We are looking forward to setting up business relationship with you and hope to provide you with the best service and solution. Let us make a better world for our industry!



## Contact us

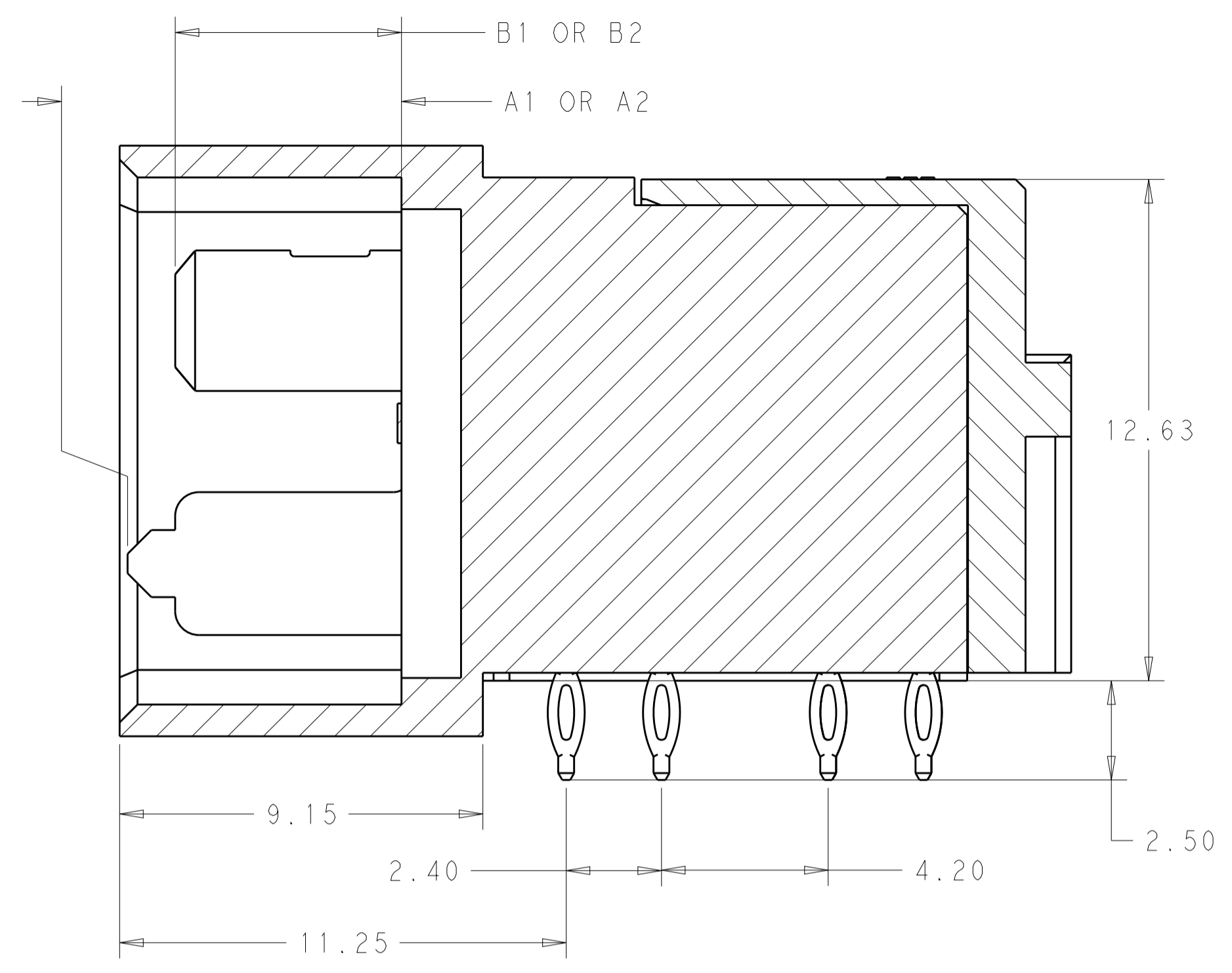
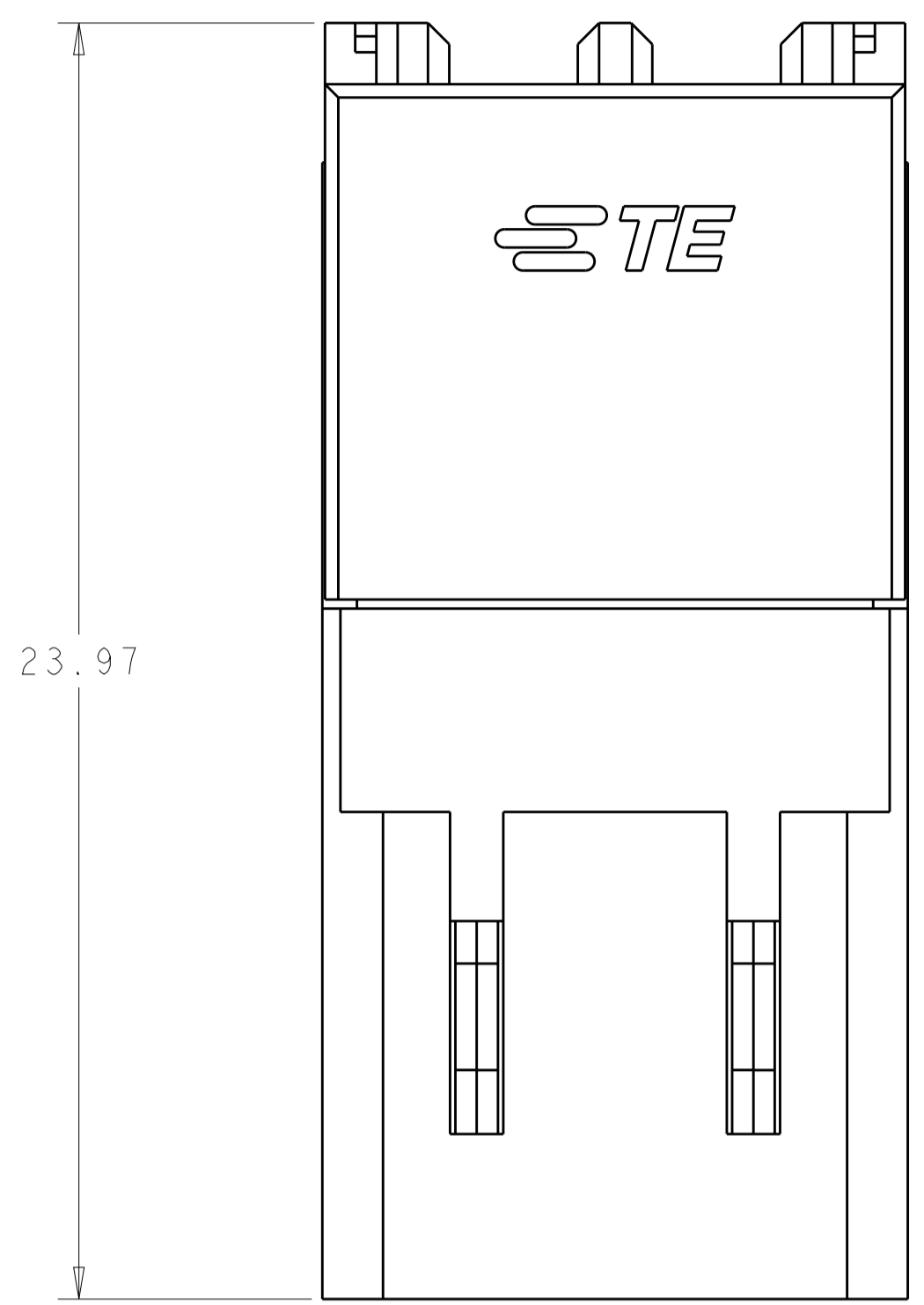
Tel: +86-755-8981 8866 Fax: +86-755-8427 6832

Email & Skype: info@chipsmall.com Web: www.chipsmall.com

Address: A1208, Overseas Decoration Building, #122 Zhenhua RD., Futian, Shenzhen, China

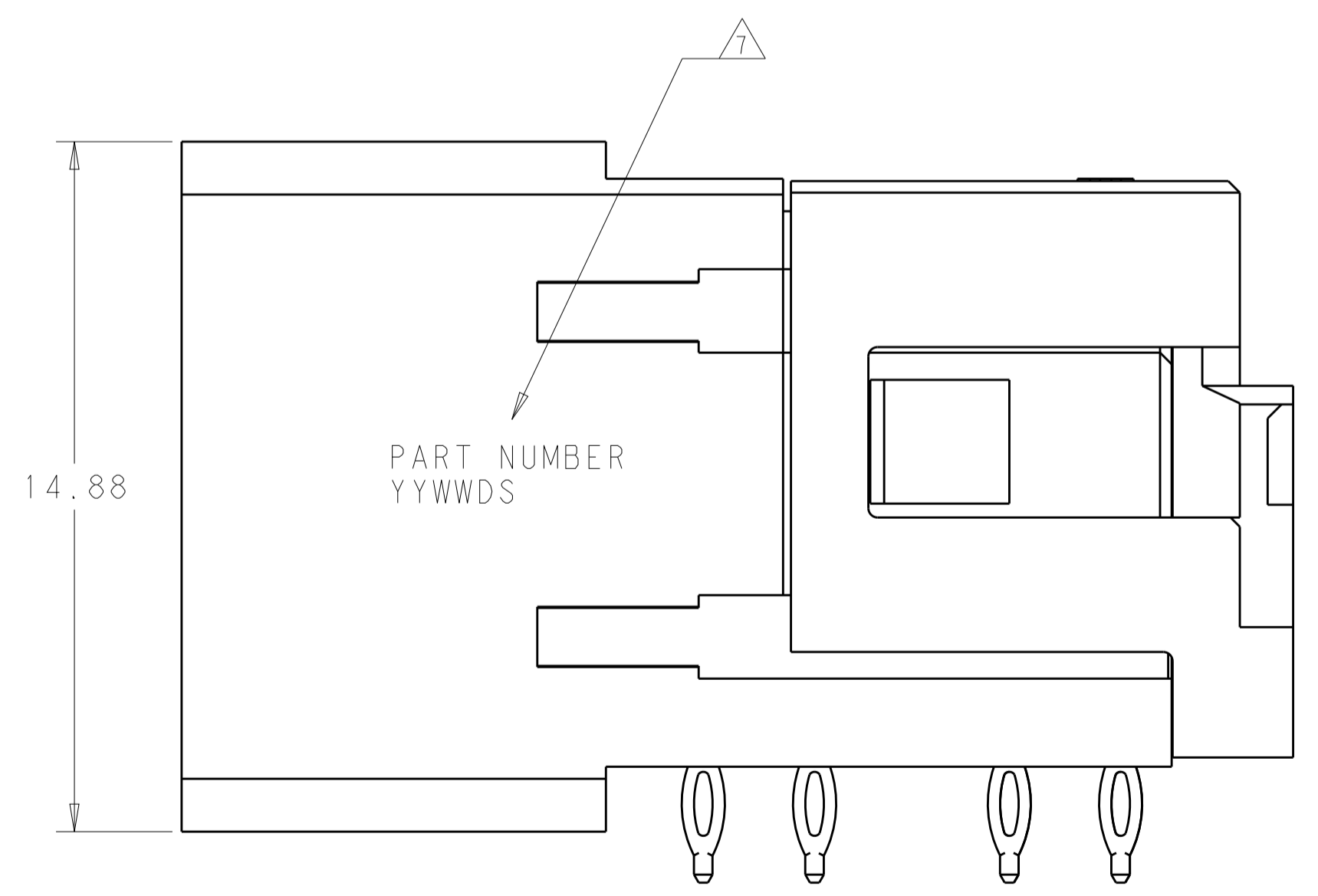
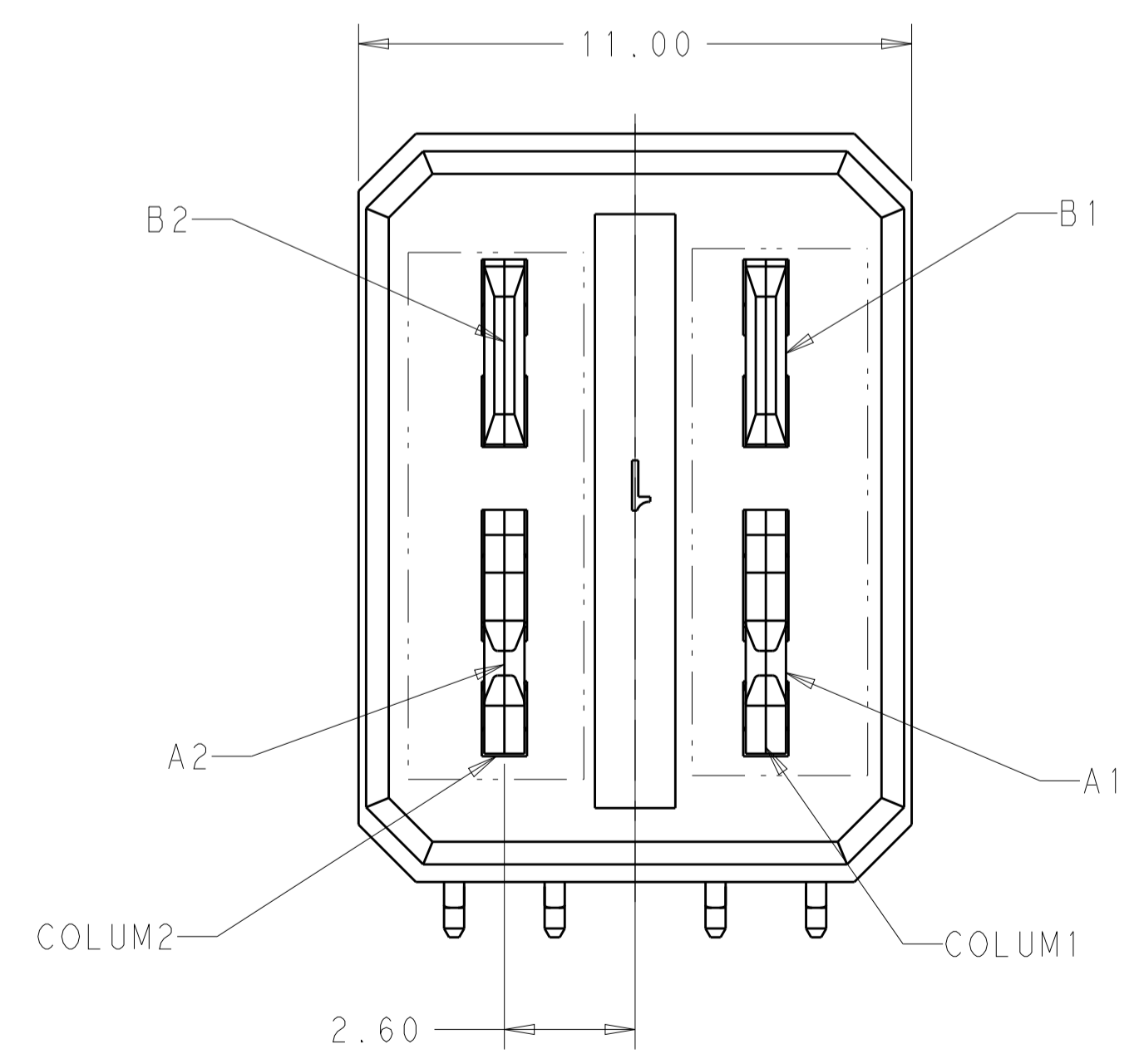


REVISONS		DATE	OWN	APVD
A3	REV PER ECR-12-013085	24JULY2012	LW	AC
B	REV PER ECR-13-017562	14NOV2013	HS	FY



SECTION Z-Z

- NOTES:
- MATERIALS:  
 HOUSING: HIGH TEMP. THERMOPLASTIC GLASS/MINERAL FILLED UL94V-0  
 TERMINAL: COPPER ALLOY
  - FINISH:  
 TIN OPTION- GOLD AT CONTACT AREA AND NICKEL UNDERPLATED OVER ALL TIN AT TAIL AREA  
 TIN-LEAD OPTION- GOLD AT CONTACT AREA AND NICKEL UNDERPLATED OVER ALL TIN-LEAD AT TAIL AREA
  - PCB HOLE SIZE:  
 -DRILLED HOLE SIZE 0.838MM REF  
 -COPPER UNDERPLATE 0.03 TO 0.07MM  
 -TIN/TIN-LEAD SURFACE PLATED FINISHED HOLE SIZE 0.725±0.075MM OR ORGANIC SURFACE PROTECTANT (OSP) PLATED FINISHED HOLE SIZE 0.75±0.05MM
  - CONNECTOR WERE PACKED BY TRAY  
 5. REFER TO TE'S PRODUCT SPECIFICATION: 108-2473 FOR TORQUE FORCE AND RETENTION FORCE
  - MATED WITH 2169806-\*
  - PART NUMBER AND DATE CODE AT ASSEMBLY AREA AS APPROXIMATE SHOWN. ALSO CAN BE OPPOSITE SIDE
  - THERE ARE TWO TYPES OPTION ONE TYPE WITH DOVETAIL ANOTHER WITHOUT DOVETAIL
  - COMPONENT PLACEMENT ZONE



TRAY	TIN PLATING	NO DOVE TAIL	6.9	6.9	6.9	6.9	2169797-1
			5.7	5.7	5.7	5.7	2169797-2
			6.9	6.9	5.7	5.7	2169797-3
			5.7	5.7	6.9	6.9	2169797-4
			5.7	6.9	5.7	5.7	2169797-5
		WITH DOVE TAIL	6.9	6.9	6.9	6.9	2169797-6
			5.7	5.7	5.7	5.7	2169797-7
			6.9	6.9	5.7	5.7	2169797-8
			5.7	5.7	6.9	6.9	2169797-9
			6.0	6.0	6.0	6.0	5-2169797-1
			5.7	5.7	5.7	5.7	5-2169797-2
		NO DOVE TAIL	6.9	6.9	5.7	5.7	5-2169797-3
			5.7	5.7	6.9	6.9	5-2169797-4
	TIN-LEAD PLATING		5.7	6.9	5.7	5.7	5-2169797-5
			6.9	6.9	6.9	6.9	5-2169797-6
		WITH DOVE TAIL	5.7	5.7	5.7	5.7	5-2169797-7
			6.9	6.9	5.7	5.7	5-2169797-8
			5.7	5.7	6.9	6.9	5-2169797-9
PACKAGING	PLATING OPTION	TYP 8	B1	B2	A2	A1	PART NUMBER

THIS DRAWING IS A CONTROLLED DOCUMENT. OWN: LERRY.WANG 05MAY2011  
 CHK: SUNY.ZHAO 05MAY2011  
 APVD: SUNY.ZHAO 05MAY2011

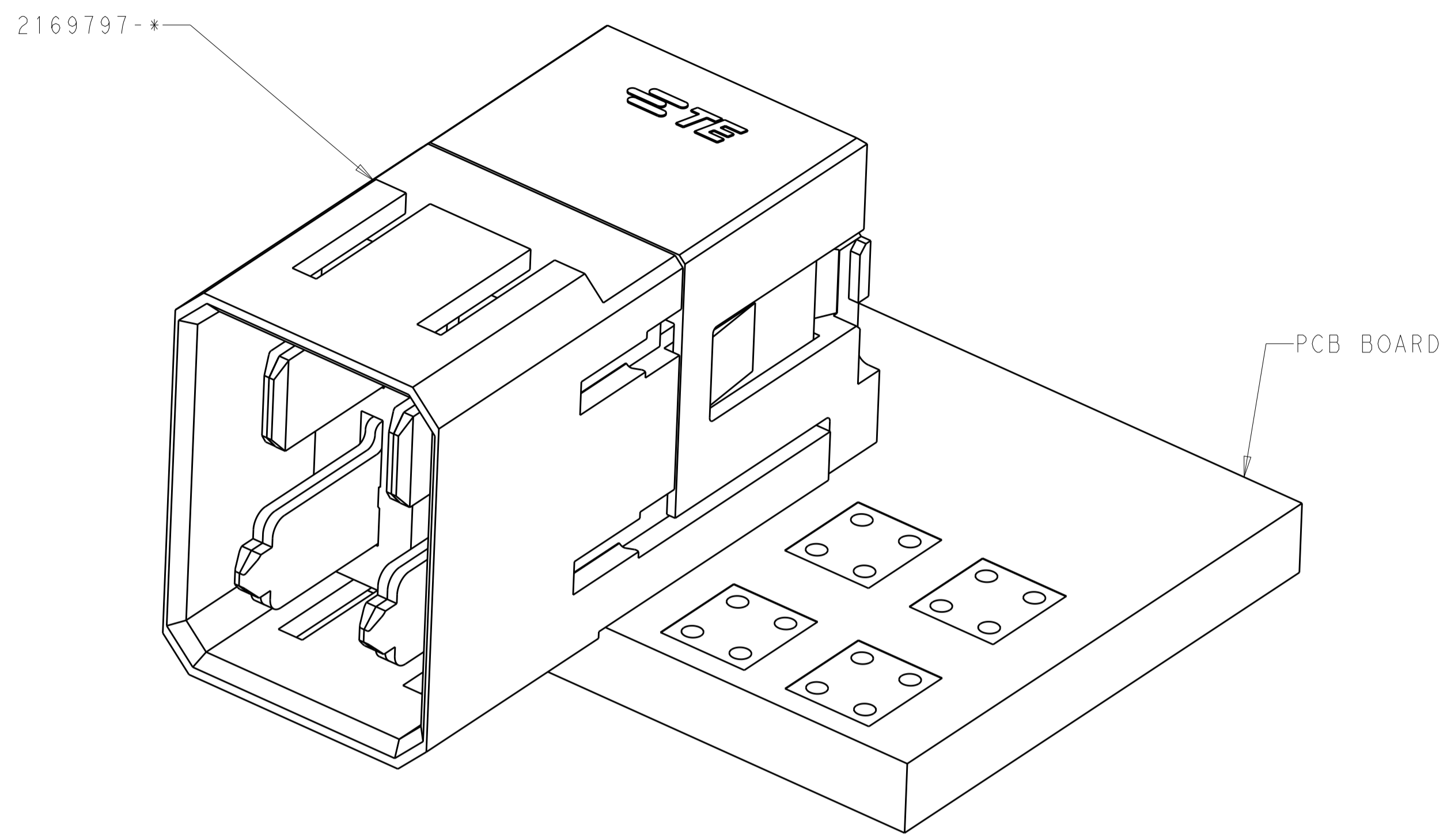
DIMENSIONS: mm  
 TOLERANCES UNLESS OTHERWISE SPECIFIED:  
 0 PLC ±.1  
 1 PLC ±.15  
 2 PLC ±.25  
 3 PLC ±.3  
 4 PLC ±.4  
 ANGLES ±.5

MATERIAL: FINISH: 2

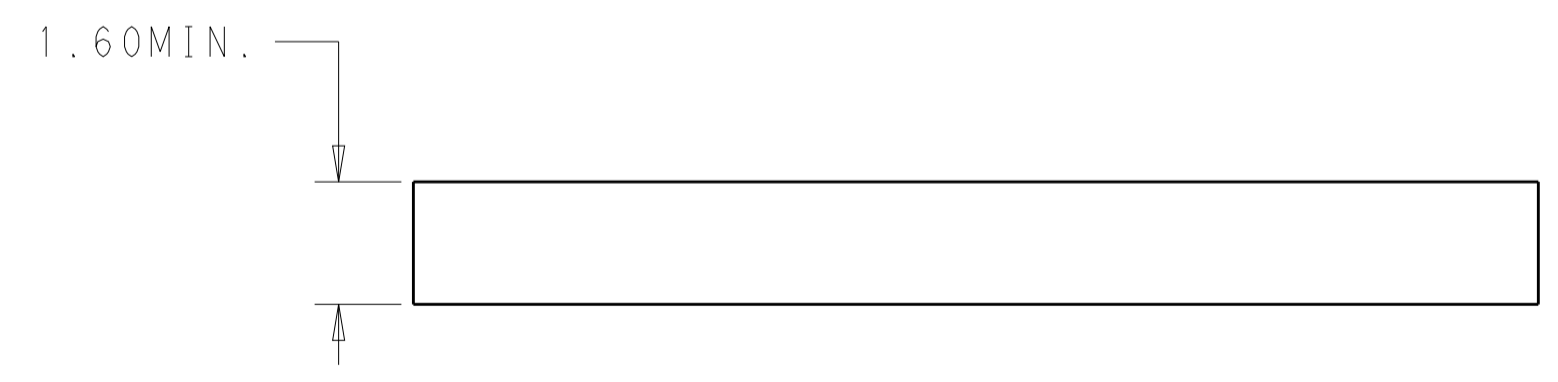
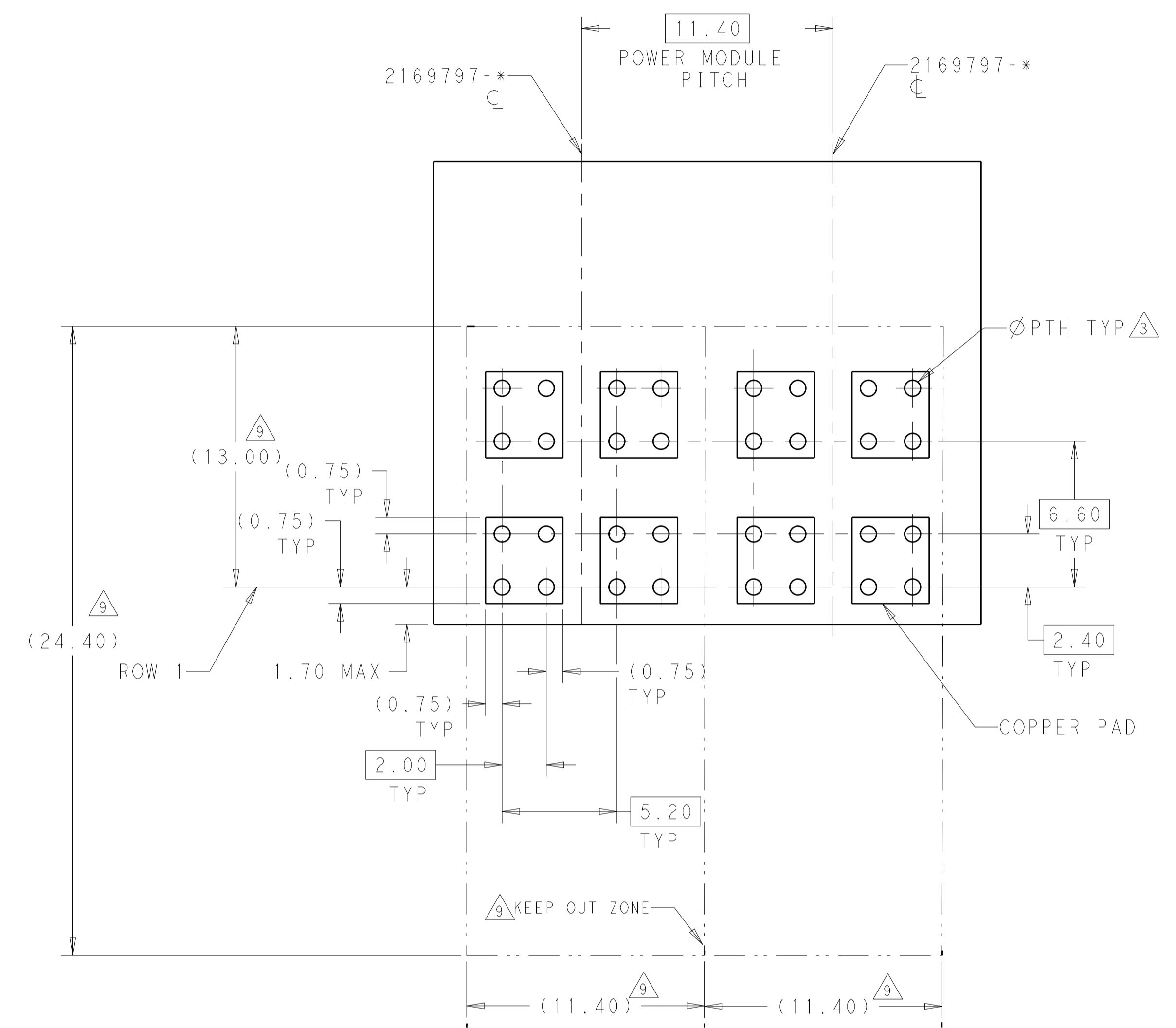
TE Connectivity  
 ASSEMBLY  
 IMPACT POWER 3PAIR R/A HEADER  
 PRESS-FIT

SIZE: A1 CAGE CODE: 114-32028 DRAWING NO: 108-2473 APPLICATION SPEC: 114-32028 WEIGHT: CUSTOMER DRAWING  
 SCALE: 8:1 SHEET 1 OF 2 REV B

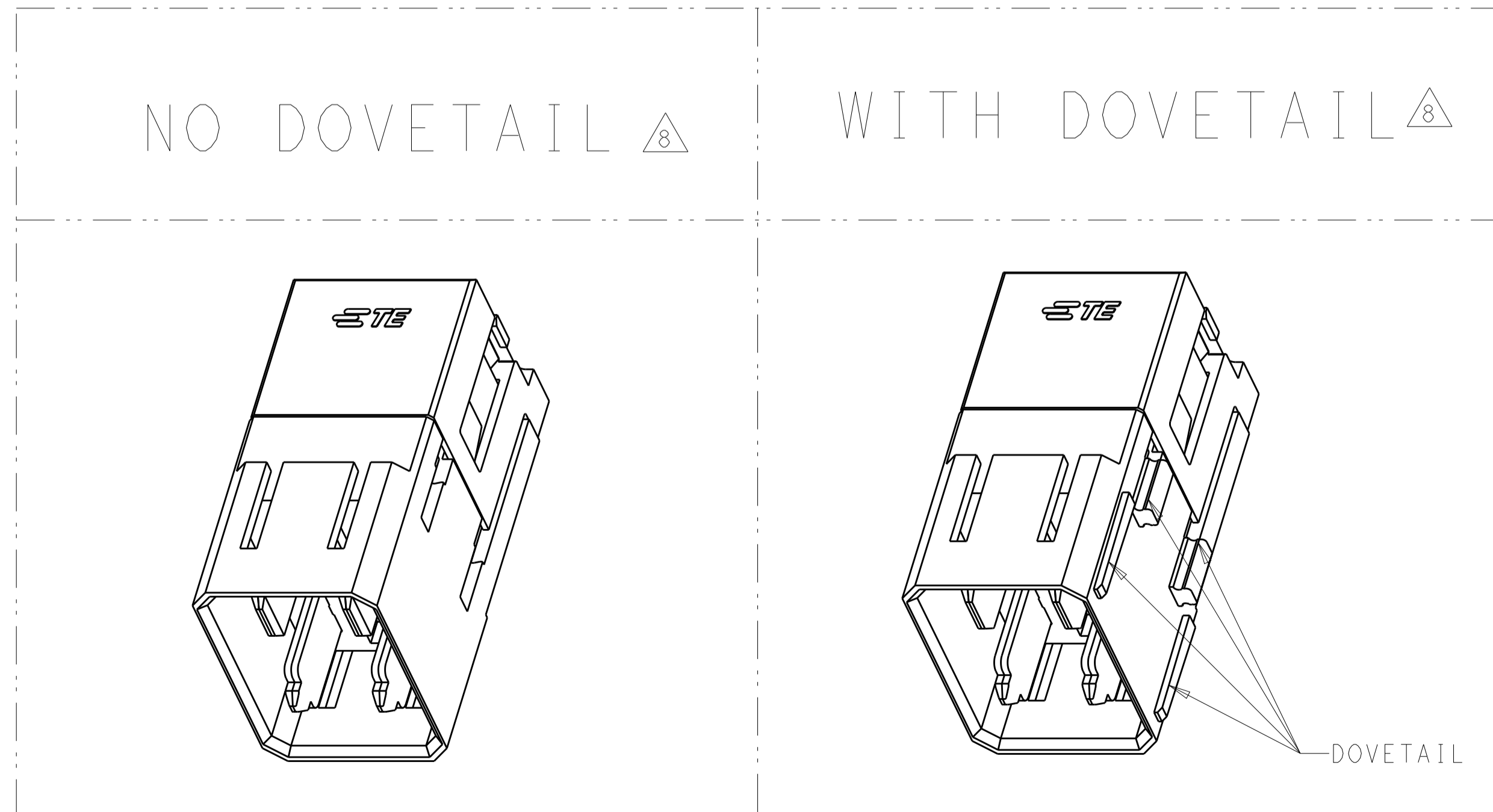
LOC	DIST	REV	DATE	BY	APPD
-	-	1	-	-	-
REVISIONS			DESCRIPTION		
-			SEE SHEET 1		



CONNECTOR MATED WITH PCB



PCB LAYOUT FOR 3PAIR R/A HEADER POWER MODULE  
(COMPONENT SIDE SHOWN)



THIS DRAWING IS A CONTROLLED DOCUMENT.		OWN: LERRY_WANG 05MAY2011	TE Connectivity
DIMENSIONS: mm		CHK: SUNY_ZHAO 05MAY2011	
TOLERANCES UNLESS OTHERWISE SPECIFIED:		APVD: SUNY_ZHAO 05MAY2011	NAME: ASSEMBLY
0 PLC ±.2	1 PLC ±.25	PRODUCT SPEC: 108-2473	IMPACT POWER 3PAIR R/A HEADER
2 PLC ±.25	3 PLC ±.25	APPLICATION SPEC: 114-32028	PRESS-FIT
4 PLC ±.25	ANGLES ±.3	SIZE: 114-32028	RESTRICTED TO:
MATERIAL: -	FINISH: -	WEIGHT: -	A100779C=2169797
CUSTOMER DRAWING		SCALE: 8:1	SHEET 2 OF 2 REV B