



Chipsmall Limited consists of a professional team with an average of over 10 year of expertise in the distribution of electronic components. Based in Hongkong, we have already established firm and mutual-benefit business relationships with customers from,Europe,America and south Asia,supplying obsolete and hard-to-find components to meet their specific needs.

With the principle of “Quality Parts,Customers Priority,Honest Operation,and Considerate Service”,our business mainly focus on the distribution of electronic components. Line cards we deal with include Microchip,ALPS,ROHM,Xilinx,Pulse,ON,Everlight and Freescale. Main products comprise IC,Modules,Potentiometer,IC Socket,Relay,Connector.Our parts cover such applications as commercial,industrial, and automotives areas.

We are looking forward to setting up business relationship with you and hope to provide you with the best service and solution. Let us make a better world for our industry!



Contact us

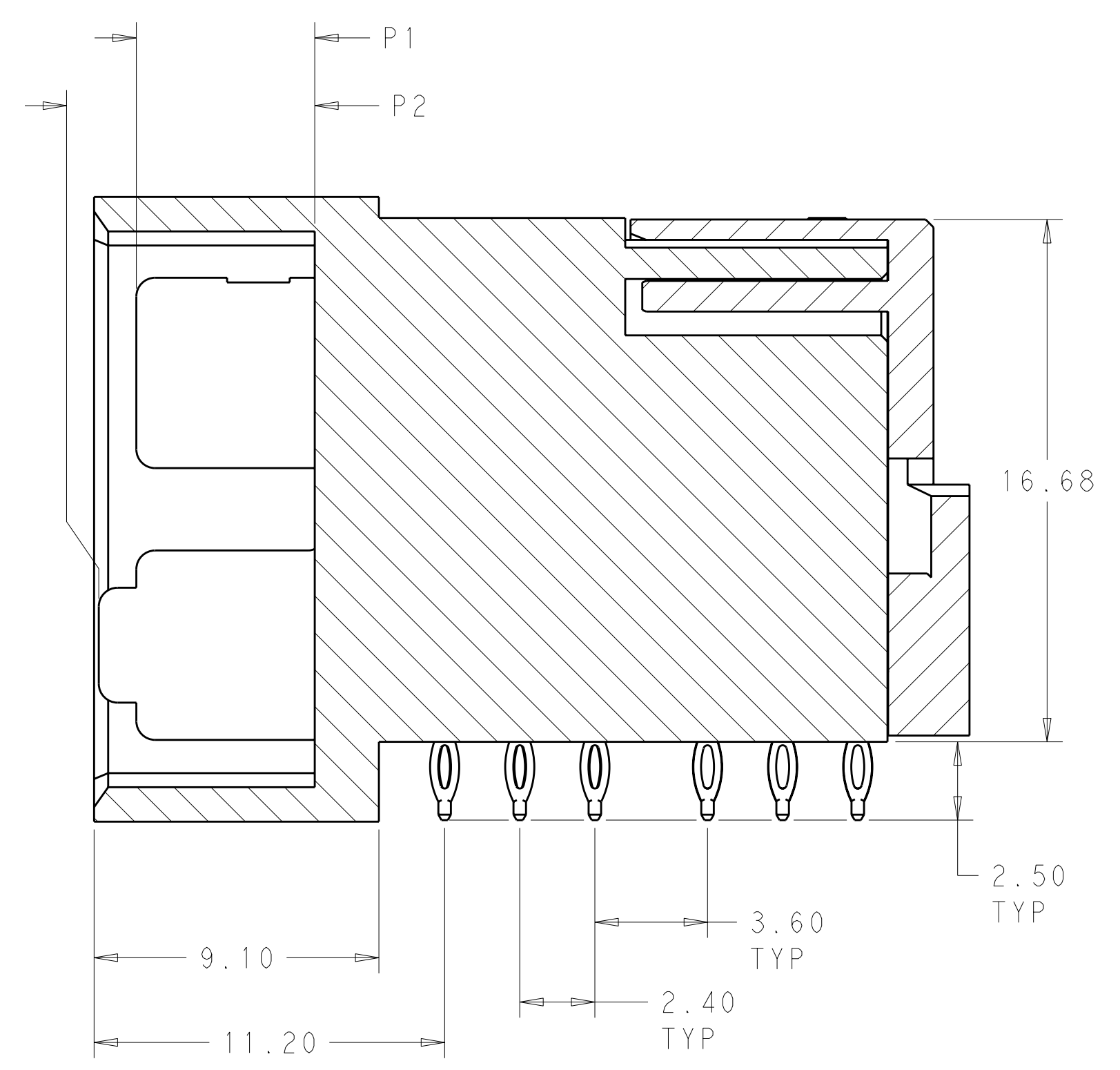
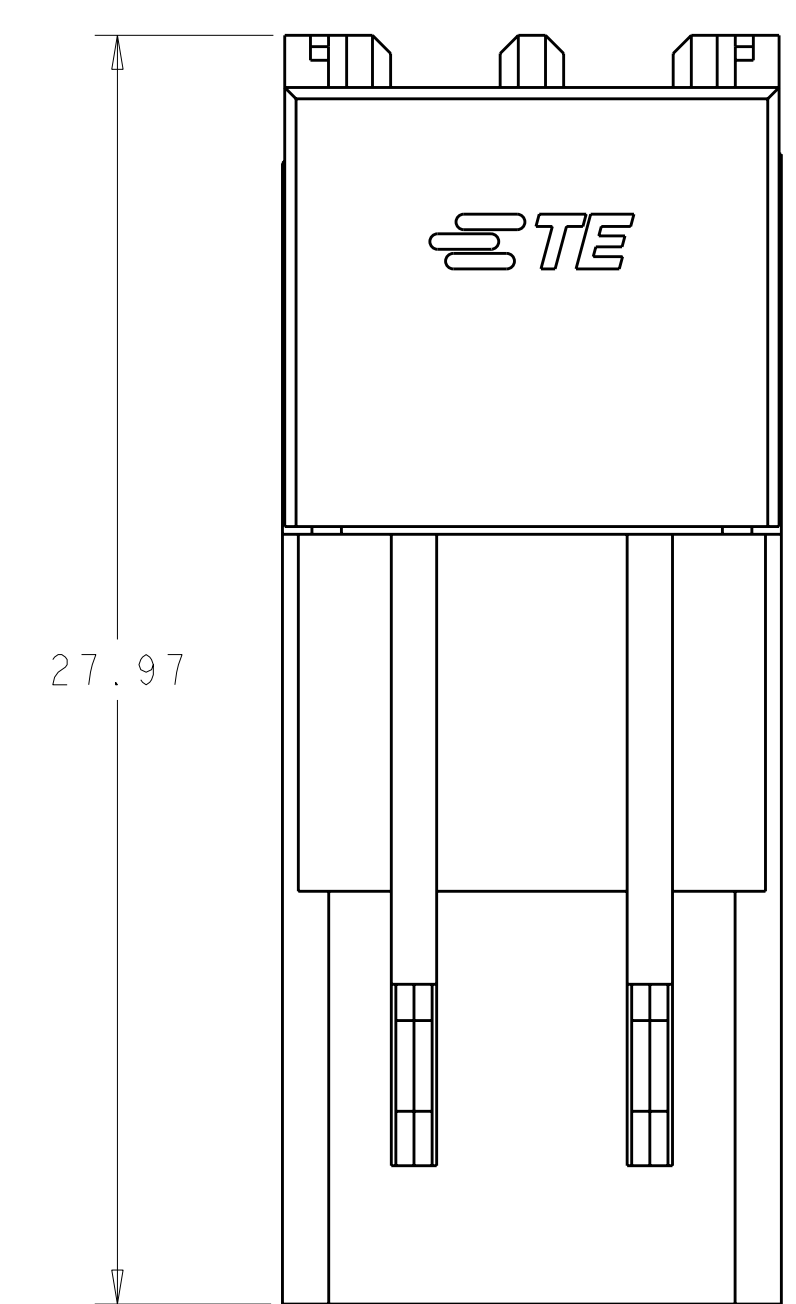
Tel: +86-755-8981 8866 Fax: +86-755-8427 6832

Email & Skype: info@chipsmall.com Web: www.chipsmall.com

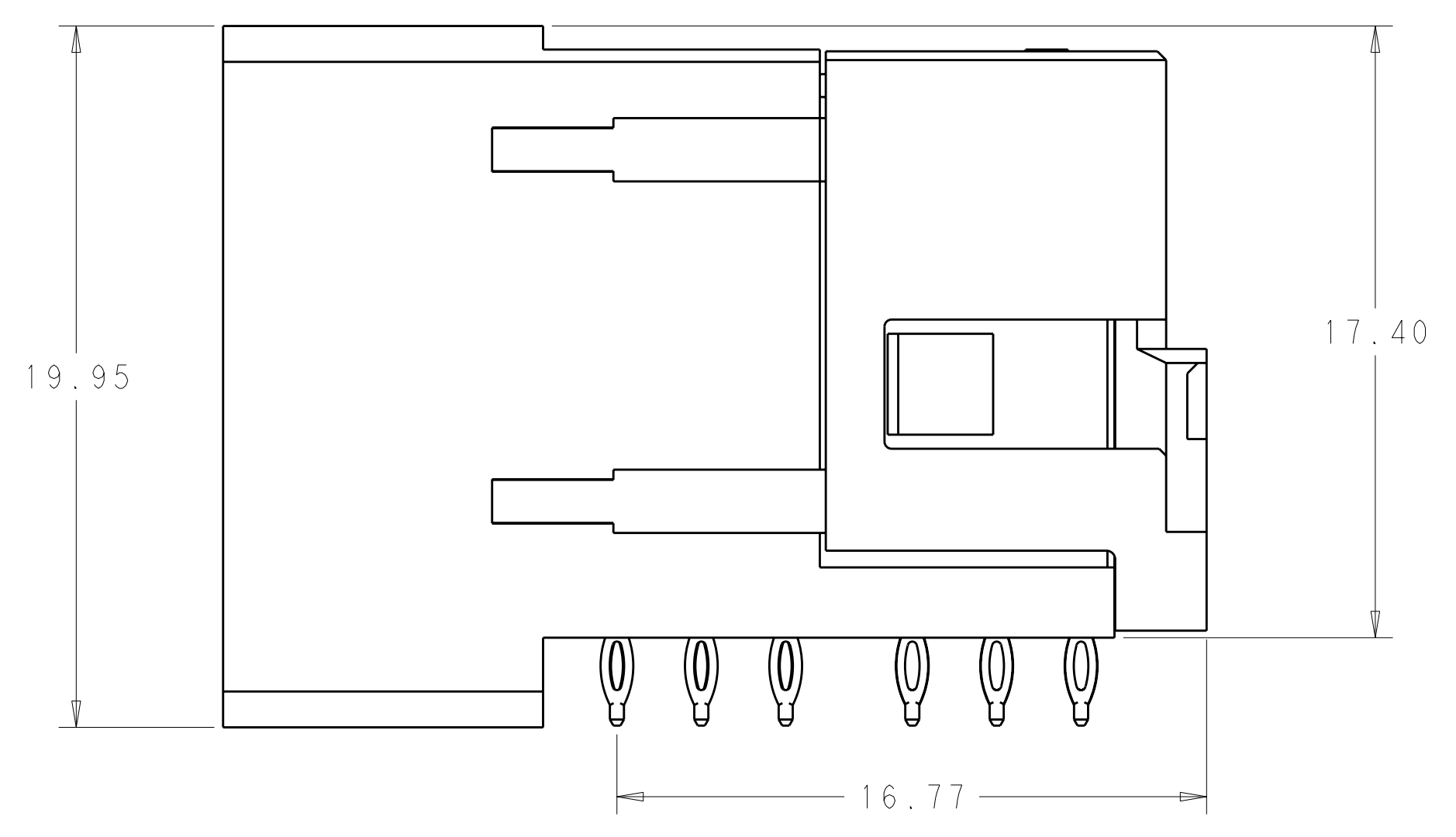
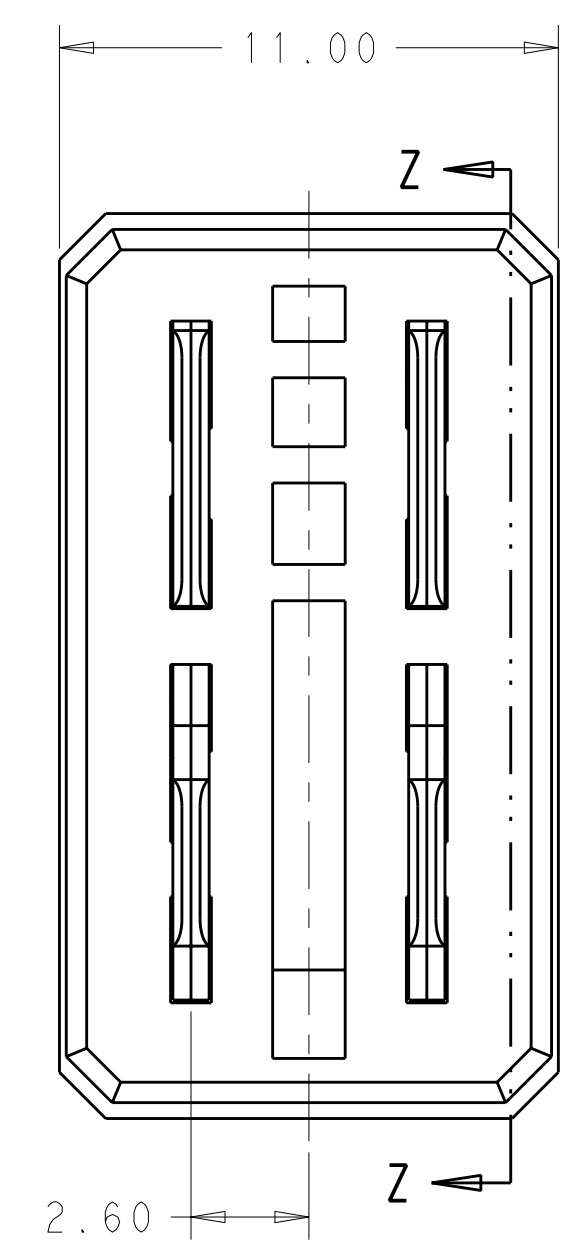
Address: A1208, Overseas Decoration Building, #122 Zhenhua RD., Futian, Shenzhen, China



LOC	DIST	REV	DATE	BY	CHK	APPD
-	-	A	29FEB2012	LW	SZ	
-	-	A1	09APR2012	LW	CW	
-	-	A2	12JUN2012	LW	AC	



SECTION Z-Z
SCALE 6:1



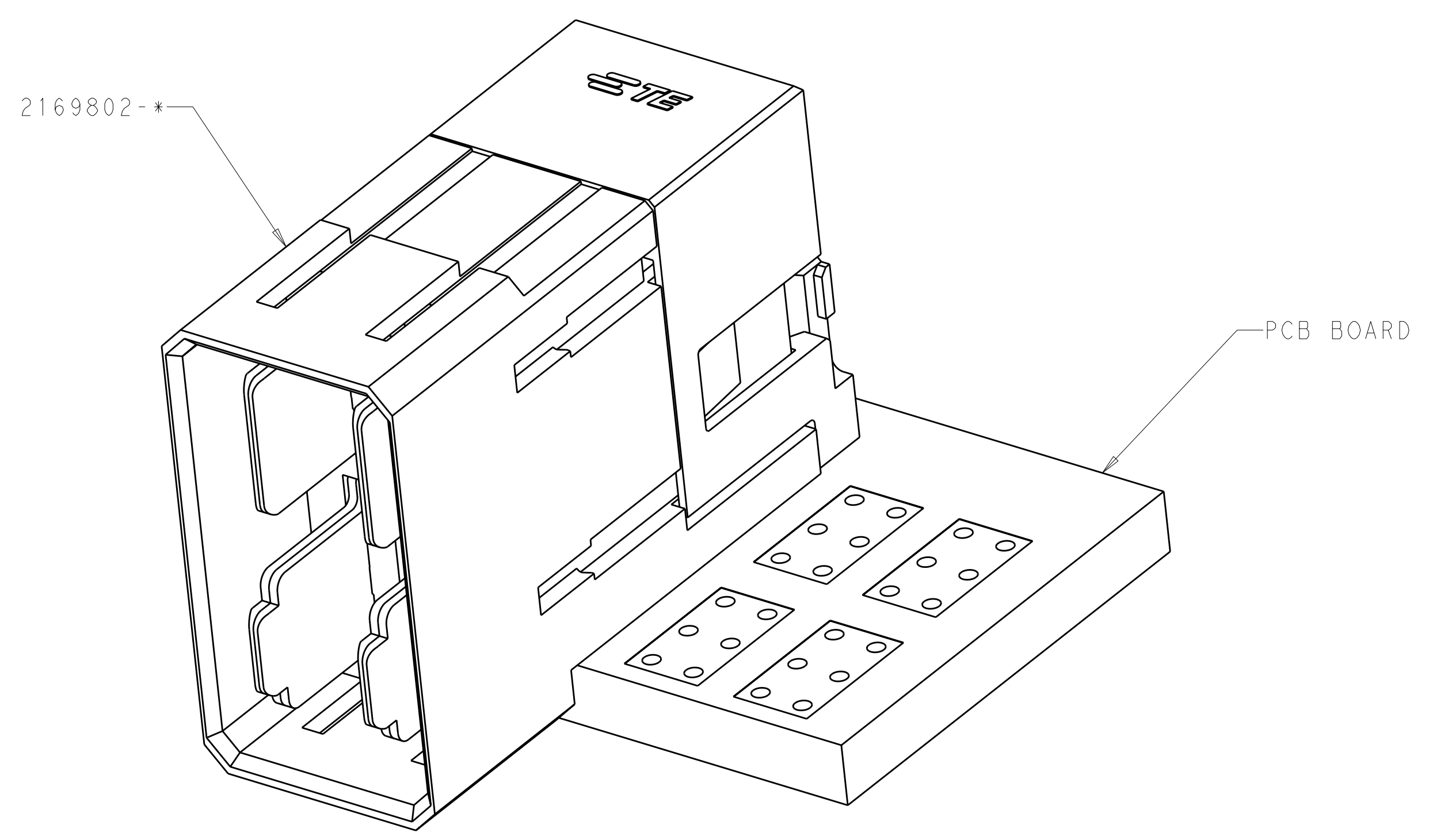
- NOTES:
- MATERIALS:
HOUSING: HIGH TEMP. THERMOPLASTIC GLASS/MINERAL FILLED UL94V-0
TERMINAL: COPPER ALLOY
 - FINISH:
TIN OPTION- 0.76um MINIMUM GOLD AT CONTACT AREA
2.54um MINIMUM NICKEL UNDERPLATED OVER ALL
TIN AT TAIL AREA
TIN-LEAD OPTION- 0.76um MINIMUM GOLD AT CONTACT AREA
2.54um MINIMUM NICKEL UNDERPLATED OVER ALL
TIN-LEAD AT TAIL AREA
 - PCB NOTE FOR DIAMETER 0.725MM PLATED HOLE.
-DRILLED HOLE SIZE IS 0.838MM
-PLATED WITH 0.007MM MIN. TIN OVER
0.03 TO 0.08MM COPPER UNDERPLATE TO ACHIEVE
0.725±0.075MM HOLE.
 - CONNECTOR WERE PACKED BY TRAY
 - REFER TO TE'S PRODUCT SPECIFICATION: 108-2473 FOR TORQUE FORCE AND RETENTION FORCE
 - MATED WITH 2169809-*
 - PART NUMBER AND DATE CODE AT ASSEMBLY AREA AS APPROXIMATE SHOWN.
ALSO CAN BE OPPOSITE SIDE
 - THERE ARE TWO TYPES OPTION ONE TYPE WITH DOVETAIL ANOTHER WITHOUT DOVETAIL
 - COMPONENT PLACEMENT ZONE

TRAY	TIN PLATING	NO DOVE TAIL	WITH DOVE TAIL	P1	P2	PART NUMBER
				6.90	6.90	2169802-1
				5.70	5.70	2169802-2
				6.90	5.70	2169802-3
				5.70	6.90	2169802-4
				6.90	6.90	2169802-5
				5.70	5.70	2169802-6
				6.90	5.70	2169802-7
				5.70	6.90	2169802-8
				6.90	6.90	5-2169802-1
				5.70	5.70	5-2169802-2
				6.90	5.70	5-2169802-3
				5.70	6.90	5-2169802-4
				6.90	6.90	5-2169802-5
				5.70	5.70	5-2169802-6
				6.90	5.70	5-2169802-7
				5.70	6.90	5-2169802-8

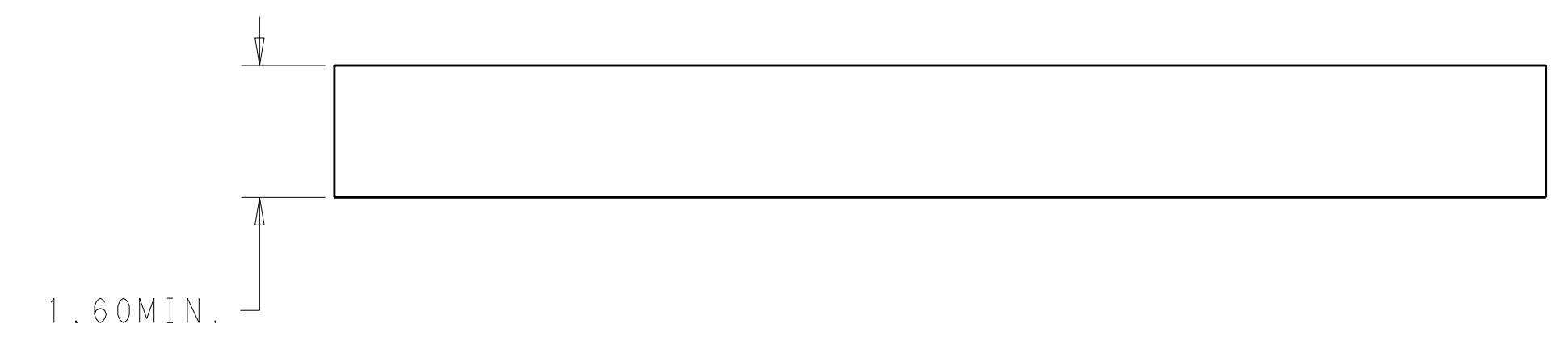
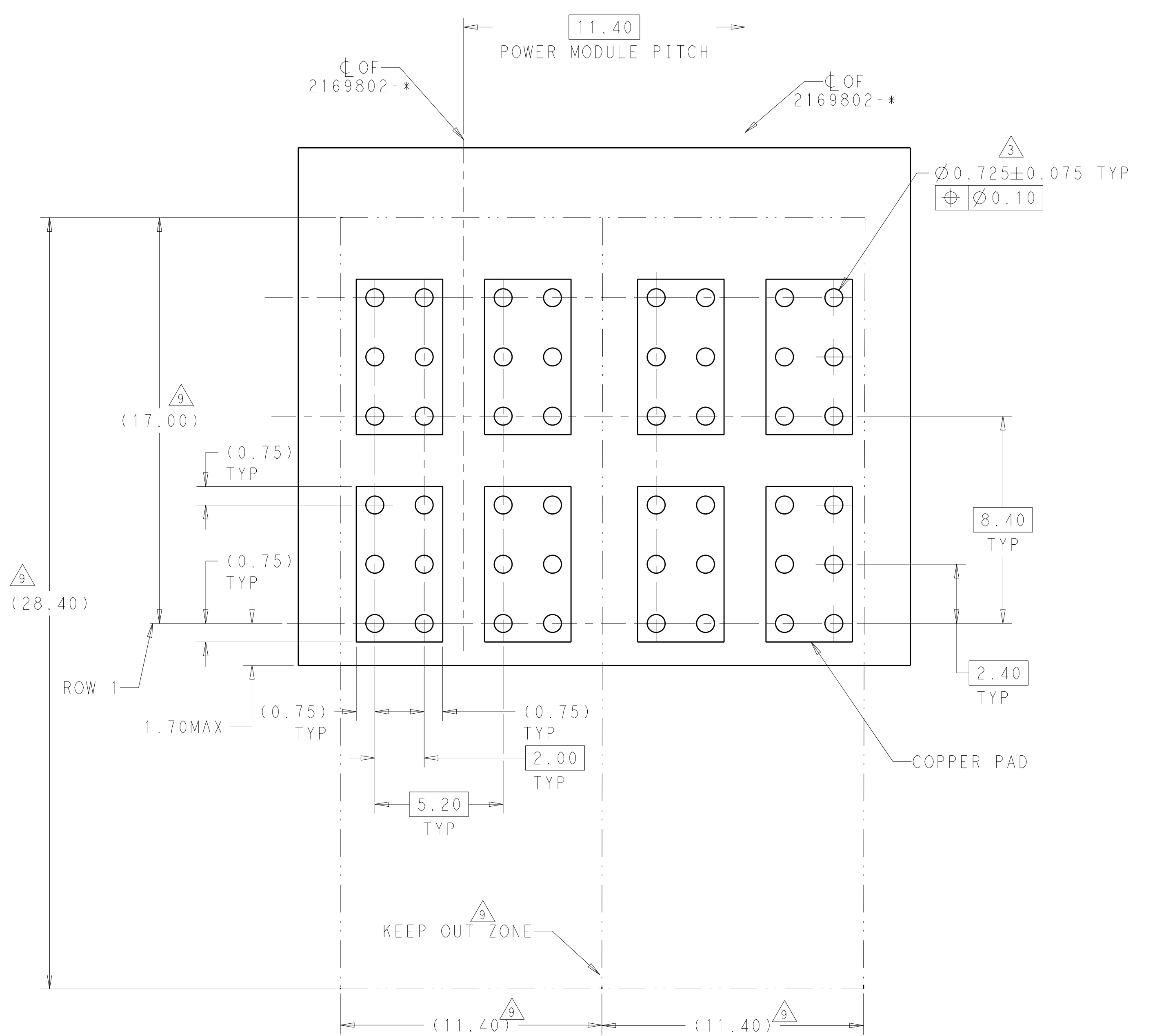
OBSOLETE

DIMENSIONS: mm 9 PLC ±.1 1 PLC ±.1 2 PLC ±.1 3 PLC ±.1 4 PLC ±.1 ANGLES ±.1°		TOLERANCES UNLESS OTHERWISE SPECIFIED: ±.1 ±.05 ±.02 ±.01		DWN LERRY WANG 05MAY2011 CHK SUNY ZHAO 05MAY2011 APPD SUNY ZHAO 05MAY2011		NAME ASSEMBLY IMPACT POWER 4PAIR R/A HEADER PRESS-FIT	
MATERIAL: - FINISH: 2		PRODUCT SPEC: 108-2473 APPLICATION SPEC: 114-32028		SIZE: A1 CAGE CODE: 00779 DRAWING NO: C=2169802		RESTRICTED TO: - SCALE: 6:1 SHEET: 1 OF 2 REV: A2	

LOC	DIST	REV	DATE	BY	APPD
-	-	1	SEE SHEET 1	-	-



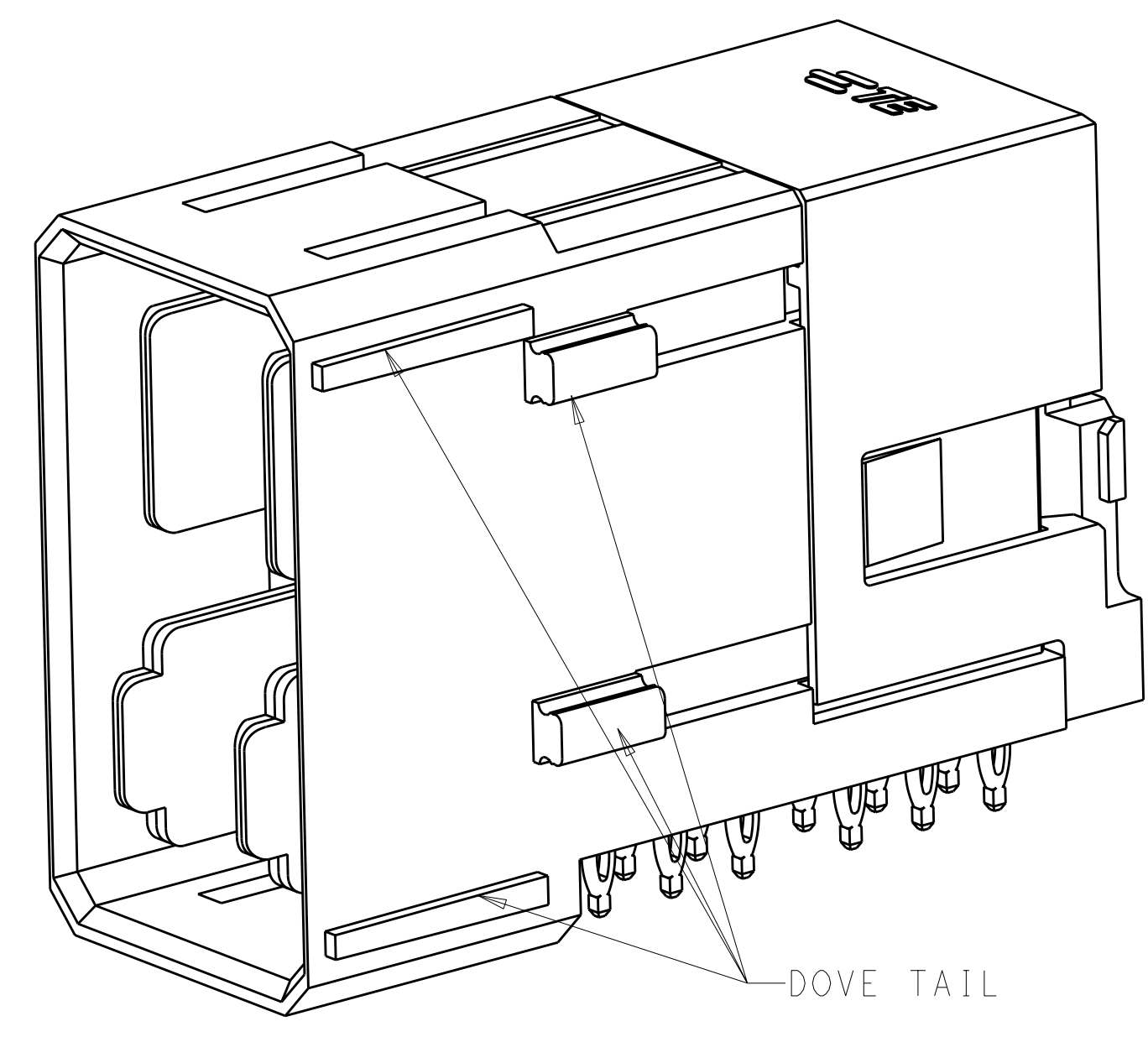
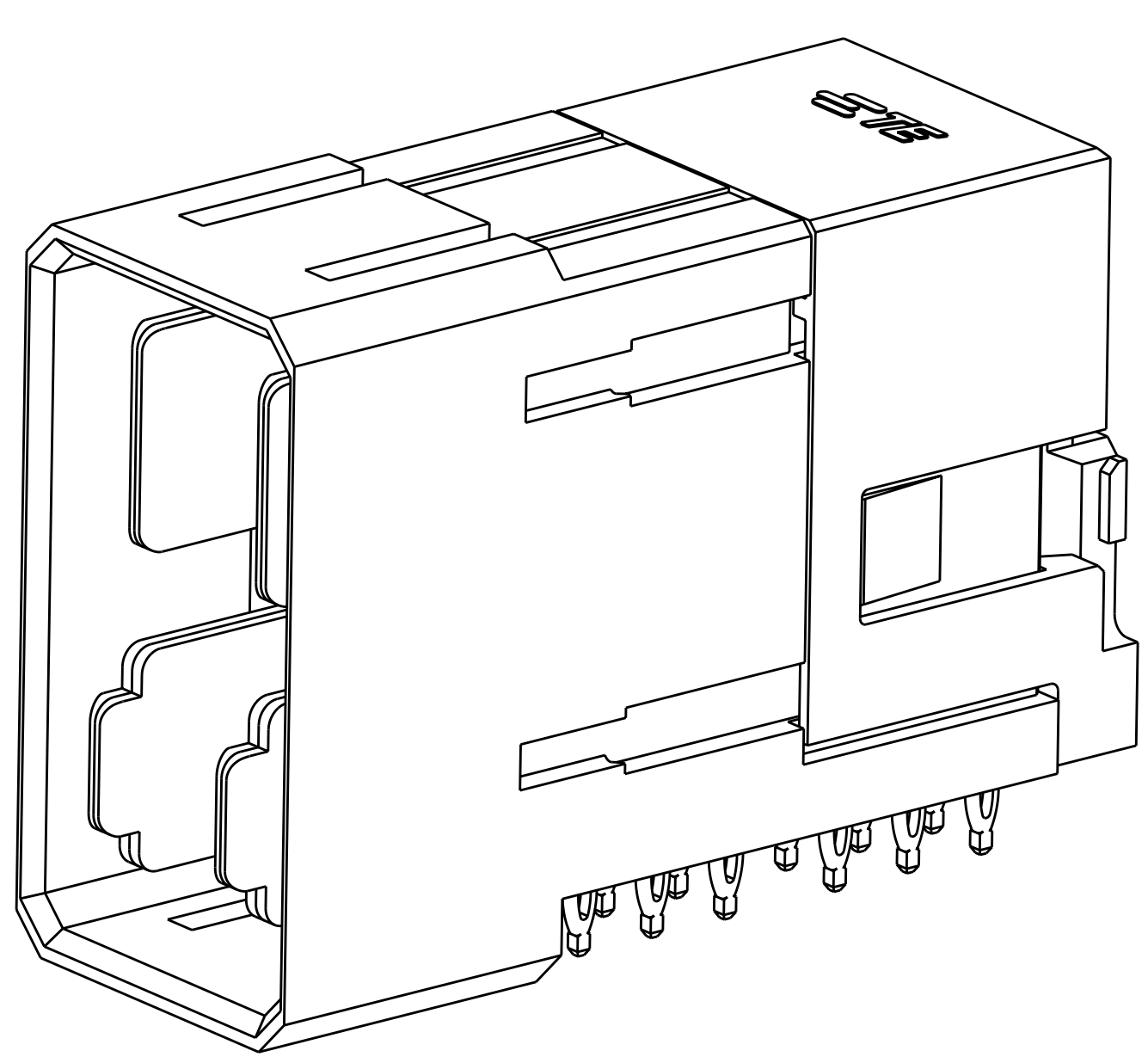
CONNECTOR MATED WITH PCB



PCB LAYOUT FOR 4PAIR R/A HEADER POWER MODULE
(COMPONENT SIDE SHOWN)

NO DOVETAIL $\triangle 8$

WITH DOVETAIL $\triangle 8$



DIMENSIONS: mm 		TOLERANCES UNLESS OTHERWISE SPECIFIED: 9 PLC ±.1 1 PLC ±.15 2 PLC ±.25 3 PLC ±.3 4 PLC ±.4 ANGLES ±.5°		DWN LERRY WANG 05MAY2011 CHK SUNY ZHAO 05MAY2011 APVD SUNY ZHAO 05MAY2011 NAME PRODUCT SPEC 108-2473 APPLICATION SPEC 114-32028 WEIGHT CUSTOMER DRAWING		REVISIONS DATE DWN APVD	
MATERIAL FINISH		SIZE CAGE CODE DRAWING NO A1 00779 C-2169802		RESTRICTED TO SCALE 6:1 SHEET 2 OF 2 REV A2		ASSEMBLY IMPACT POWER 4PAIR R/A HEADER PRESS-FIT	