



Chipsmall Limited consists of a professional team with an average of over 10 year of expertise in the distribution of electronic components. Based in Hongkong, we have already established firm and mutual-benefit business relationships with customers from,Europe,America and south Asia,supplying obsolete and hard-to-find components to meet their specific needs.

With the principle of “Quality Parts,Customers Priority,Honest Operation,and Considerate Service”,our business mainly focus on the distribution of electronic components. Line cards we deal with include Microchip,ALPS,ROHM,Xilinx,Pulse,ON,Everlight and Freescale. Main products comprise IC,Modules,Potentiometer,IC Socket,Relay,Connector.Our parts cover such applications as commercial,industrial, and automotives areas.

We are looking forward to setting up business relationship with you and hope to provide you with the best service and solution. Let us make a better world for our industry!



Contact us

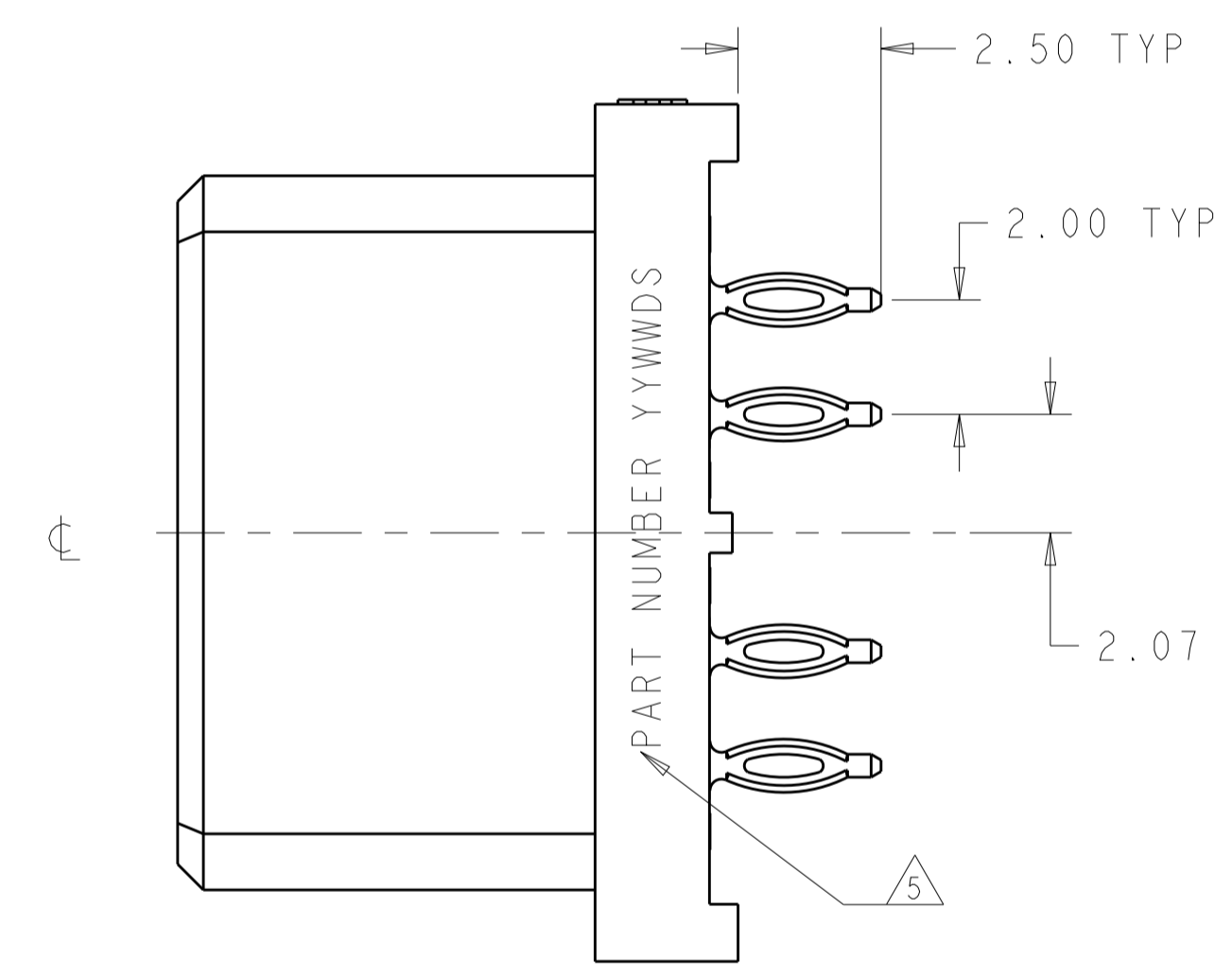
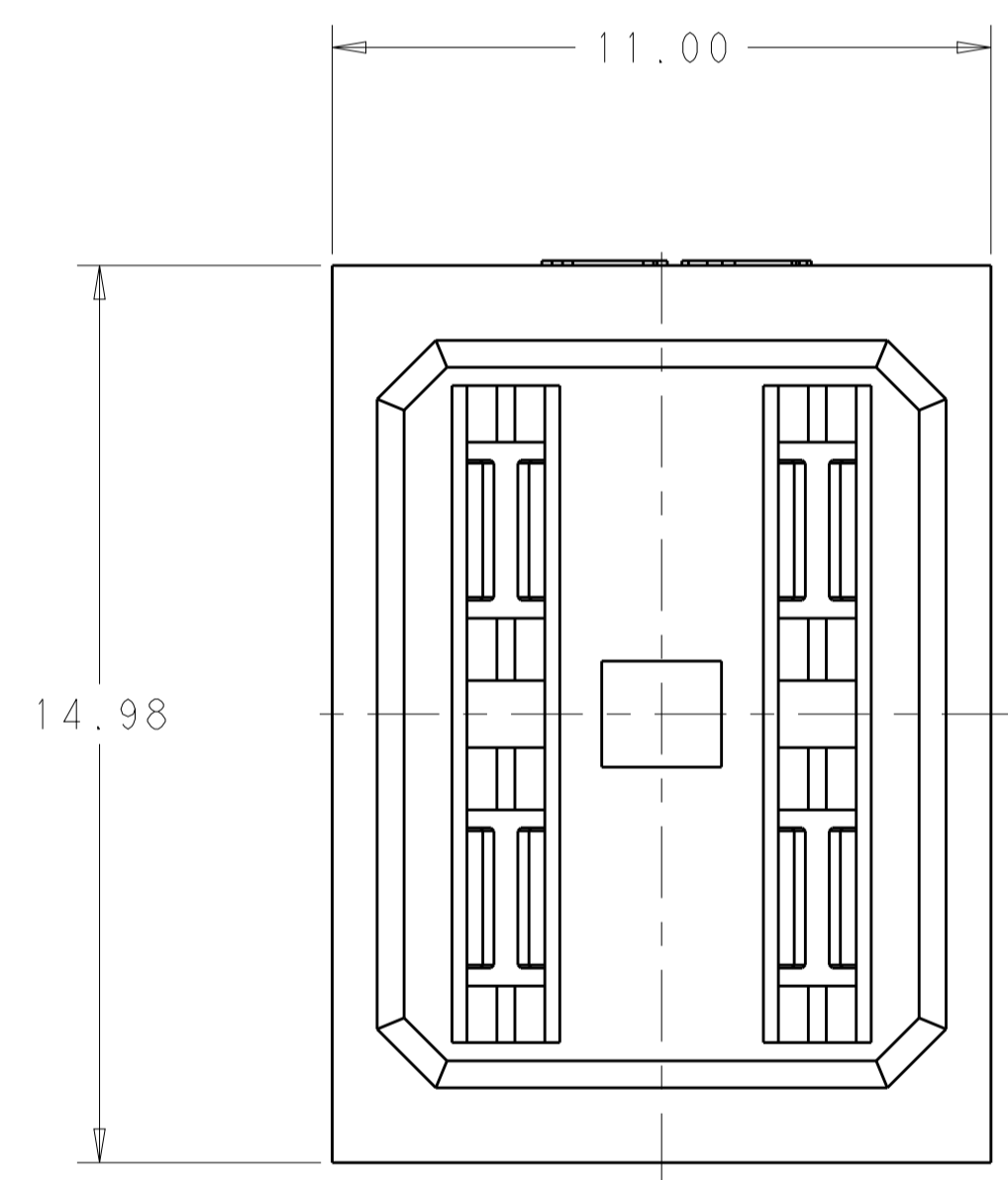
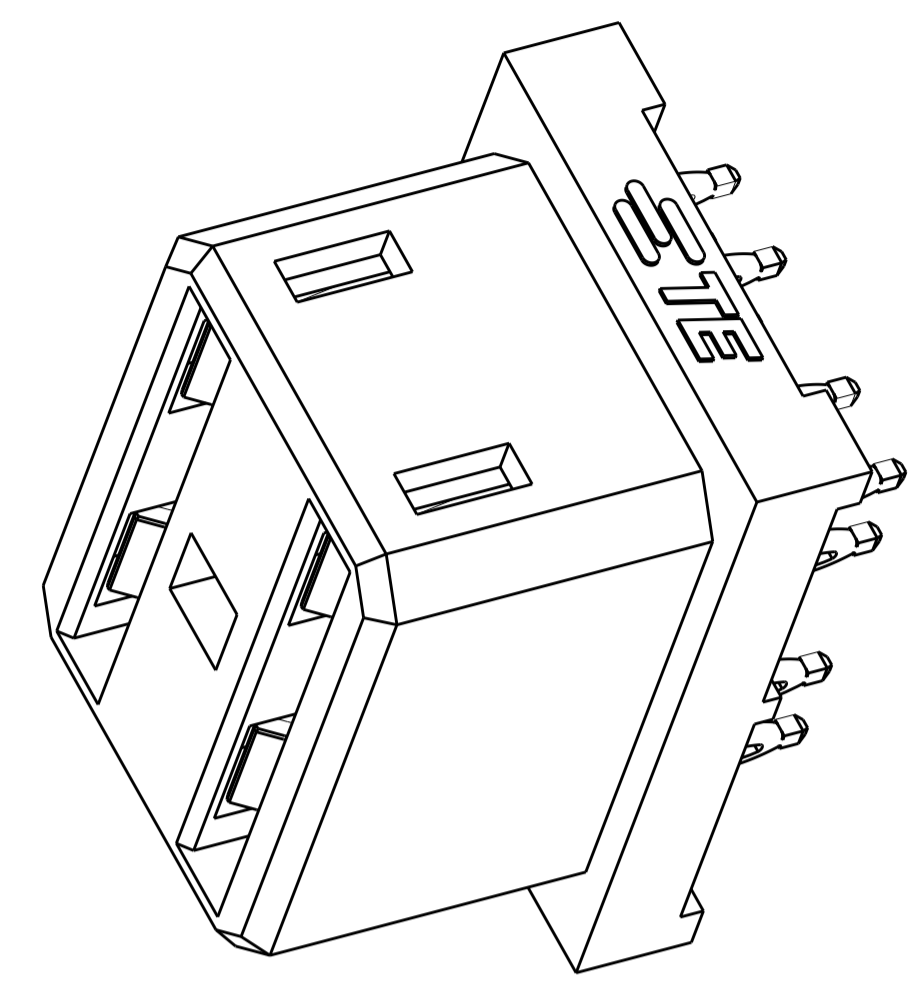
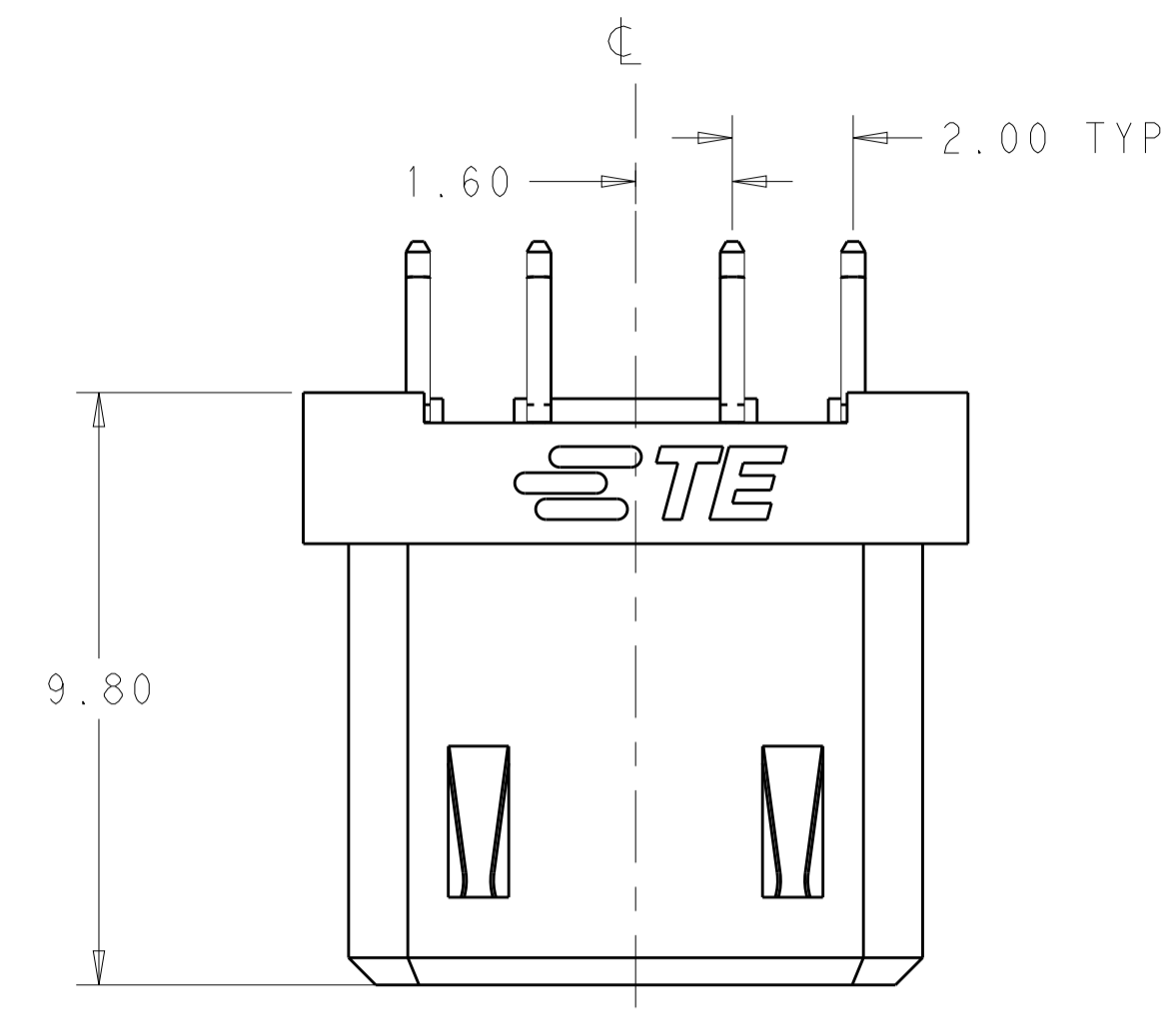
Tel: +86-755-8981 8866 Fax: +86-755-8427 6832

Email & Skype: info@chipsmall.com Web: www.chipsmall.com

Address: A1208, Overseas Decoration Building, #122 Zhenhua RD., Futian, Shenzhen, China



LOC		DIST		REVISIONS			
P	LTN	DESCRIPTION	DATE	DWN	APVD		
A		INITIAL RELEASE	07JUN2012	LW	AC		
A1		REV PER ECR-12-013085	20JULY2012	LW	AC		



NOTES:

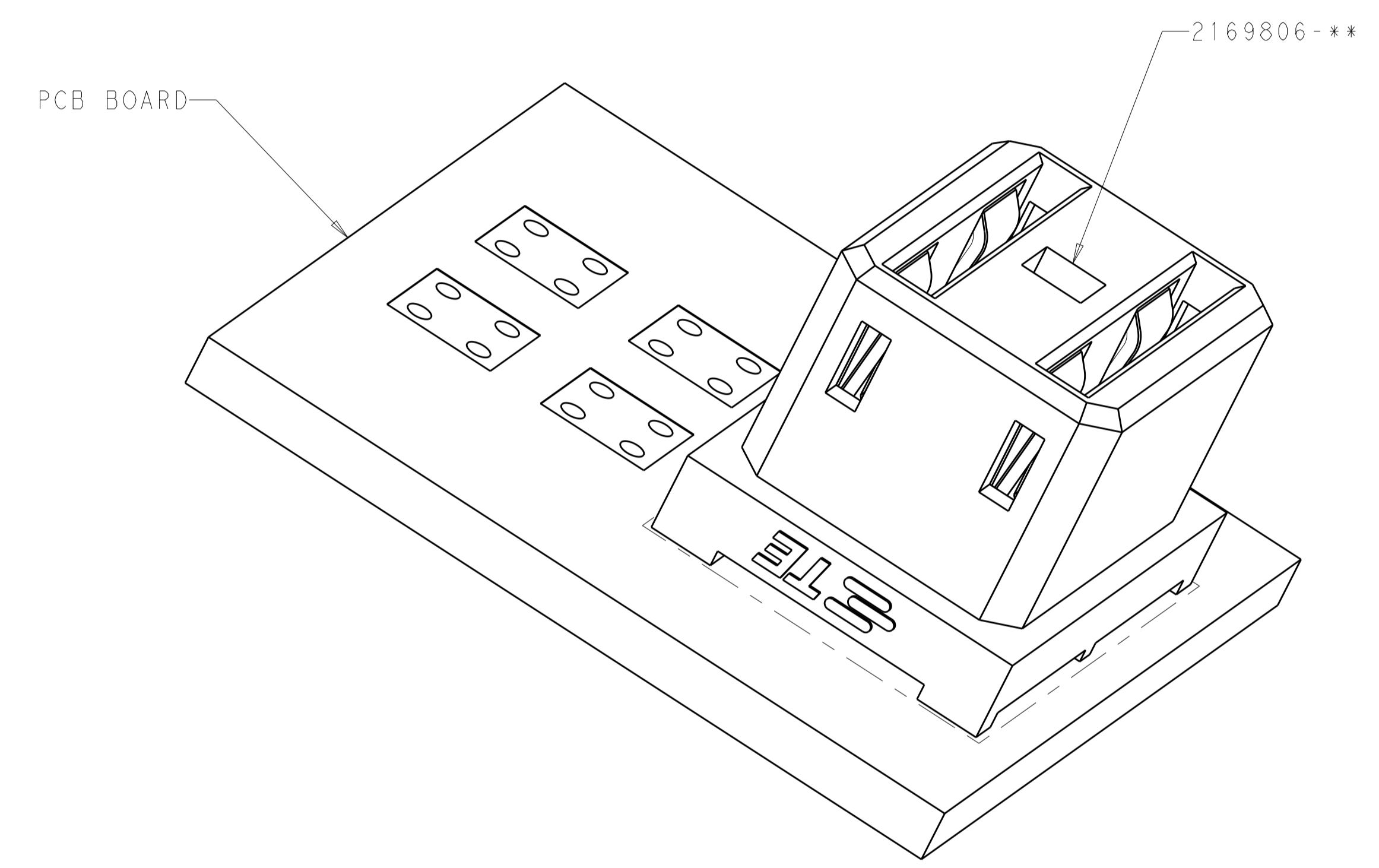
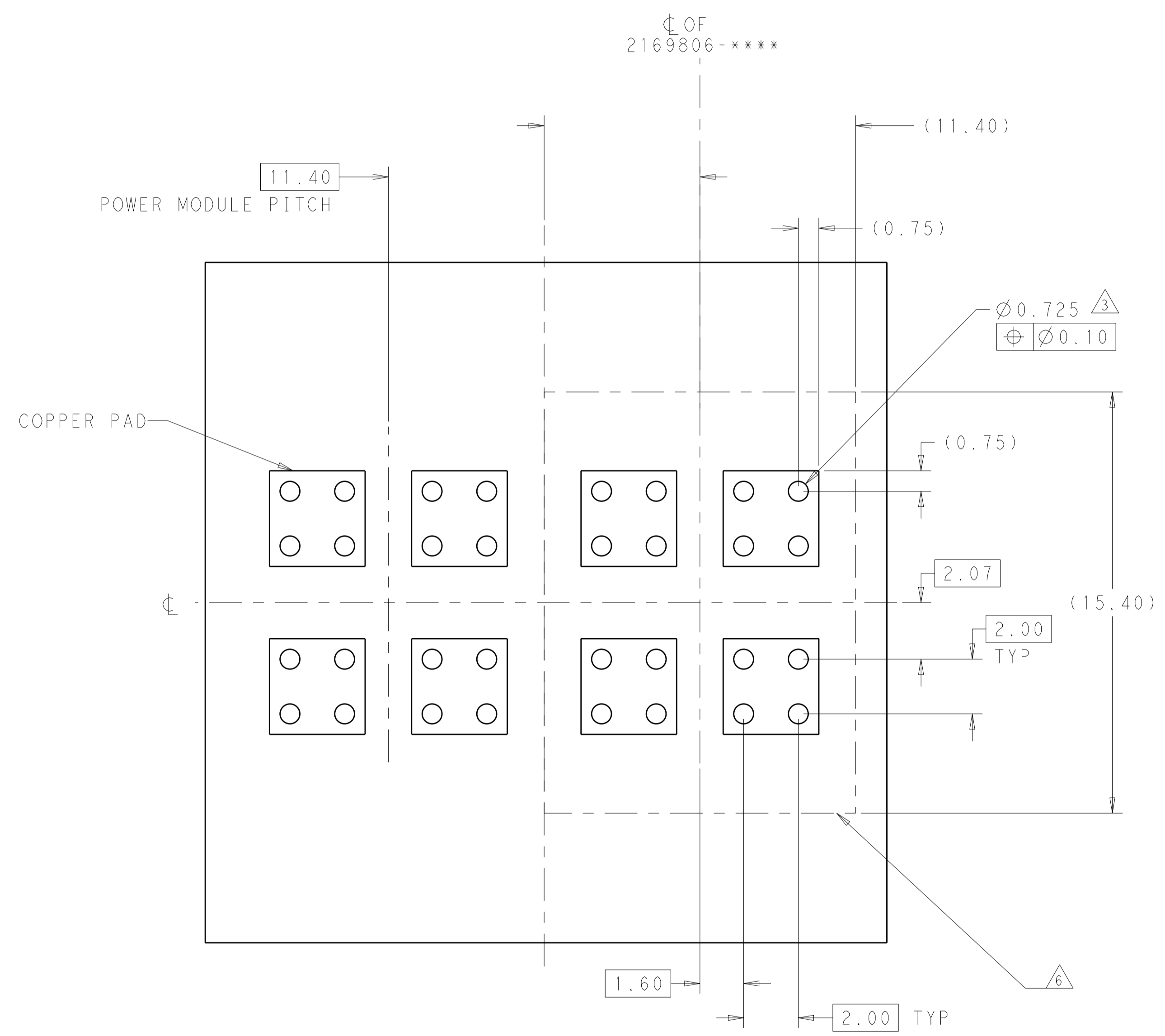
- MATERIALS:
 HOUSING: HIGH TEMP, THERMOPLASTIC GLASS/MINERAL FILLED UL94V-0.
 CONTACT: COPPER ALLOY
- FINISH OPTION
 TIN OPTION: 0.76um MINIMUM GOLD AT CONTACT AREA
 2.54um MINIMUM NICKEL UNDERPLATE OVER ALL
 TIN AT TAIL AREA.
 TIN-LEAD OPTION: 0.76um MINIMUM GOLD AT CONTACT AREA
 2.54um MINIMUM NICKEL UNDERPLATE OVER ALL
 TIN-LEAD AT TAIL AREA..
- PCB NOTE FOR DIAMETER 0.725mm PLATED HOLE.
 -DRILLED HOLE SIZE IS 0.838mm
 -PLATED WITH 0.007mm MIN. TIN OVER.
 0.03 TO 0.08mm COPPER UNDERPLATE TO ACHIEVE
 0.725±0.075mm HOLE.
- MATES WITH 2169797-***.
- PART NUMBER AND DATE CODE AT ASSEMBLY AREA AS APPROXIMATE SHOWN.
- KEEP OUT ZONE FROM OTHER COMPONENTS.

OBSOLETE	TRAY	TIN-LEAD PLATING	5-2169806-1
		TIN PLATING	2169806-1
PACKAGING	PLATING OPTION	PART NUMBER	

THIS DRAWING IS A CONTROLLED DOCUMENT.		DWN	12MAY2011	TE Connectivity NAME IMPACT POWER, 3 PAIR VERTICAL RECEPTACLE PRESS-FIT
DIMENSIONS:		CHK	12MAY2011	
TOLERANCES UNLESS OTHERWISE SPECIFIED:		APVD	12MAY2011	
0 PLC ±. 1 PLC ±. 2 PLC ±.25 3 PLC ±. 4 PLC ±. ANGLES ±°		PRODUCT SPEC 108-2473 APPLICATION SPEC 114-32028	SIZE CAGE CODE DRAWING NO A100779C=2169806	
MATERIAL	FINISH	WEIGHT	CUSTOMER DRAWING	RESTRICTED TO
SCALE 1:1			SHEET 1 OF 2	REV A1

LOC		DIST		REVISIONS			
P	LTN	DESCRIPTION	DATE	DWN	APVD		
-	-	SEE SHEET 1	-	-	-	-	-

RECOMMENDED PCB LAYOUT
 (COMPONENT SIDE SHOWN)
 MINIMUM BOARD THICKNESS: 1.60mm



CONNECTOR MATES WITH PCB

THIS DRAWING IS A CONTROLLED DOCUMENT.		DWN: AY	12MAY2011	TE Connectivity NAME: IMPACT POWER, 3 PAIR VERTICAL RECEPTACLE PRESS-FIT
DIMENSIONS: mm		CHK: SZ	12MAY2011	
TOLERANCES UNLESS OTHERWISE SPECIFIED:		APVD: JHC	12MAY2011	
0 PLC ± 1 PLC ±.25 2 PLC ±.25 3 PLC ±.25 4 PLC ±.25 ANGLES ±.5° FINISH		PRODUCT SPEC: 108-2473	APPLICATION SPEC: 114-32028	
MATERIAL: -	FINISH: -	WEIGHT: -	SIZE: A1	CAGE CODE: 100779
CUSTOMER DRAWING		SCALE: 5:1	SHEET: 2 OF 2	REV: A1