



Chipsmall Limited consists of a professional team with an average of over 10 year of expertise in the distribution of electronic components. Based in Hongkong, we have already established firm and mutual-benefit business relationships with customers from,Europe,America and south Asia,supplying obsolete and hard-to-find components to meet their specific needs.

With the principle of "Quality Parts,Customers Priority,Honest Operation,and Considerate Service",our business mainly focus on the distribution of electronic components. Line cards we deal with include Microchip,ALPS,ROHM,Xilinx,Pulse,ON,Everlight and Freescale. Main products comprise IC,Modules,Potentiometer,IC Socket,Relay,Connector.Our parts cover such applications as commercial,industrial, and automotives areas.

We are looking forward to setting up business relationship with you and hope to provide you with the best service and solution. Let us make a better world for our industry!



## Contact us

Tel: +86-755-8981 8866 Fax: +86-755-8427 6832

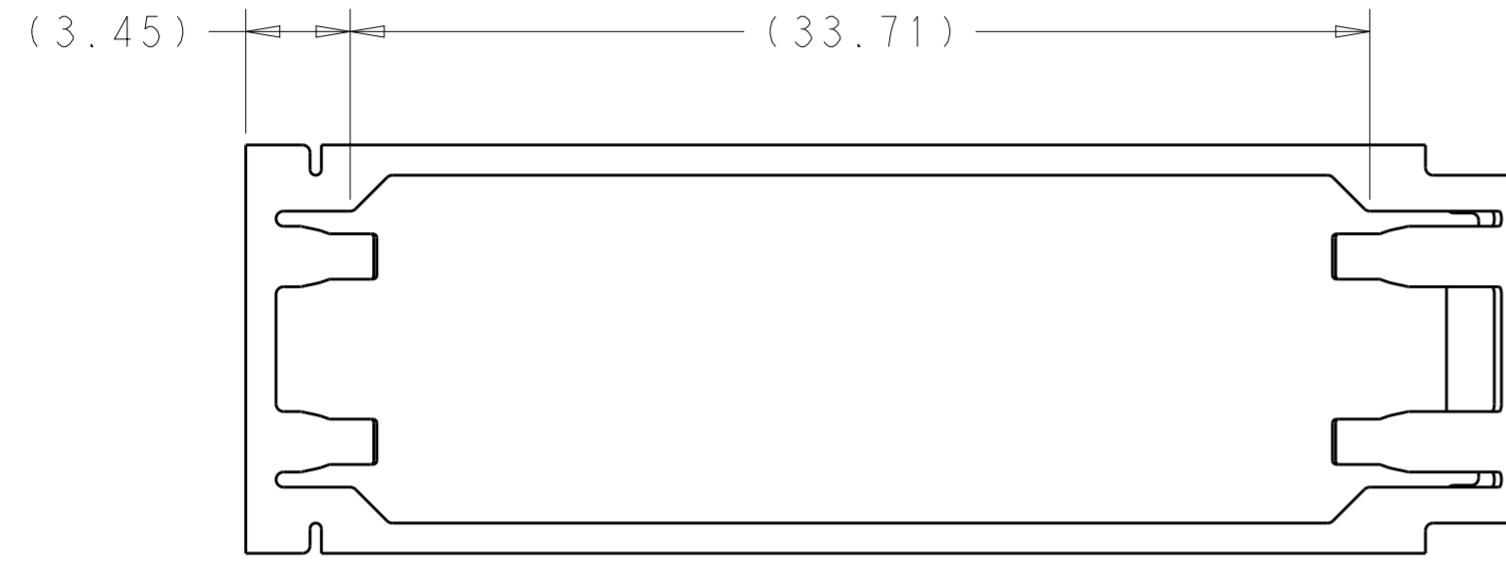
Email & Skype: info@chipsmall.com Web: www.chipsmall.com

Address: A1208, Overseas Decoration Building, #122 Zhenhua RD., Futian, Shenzhen, China

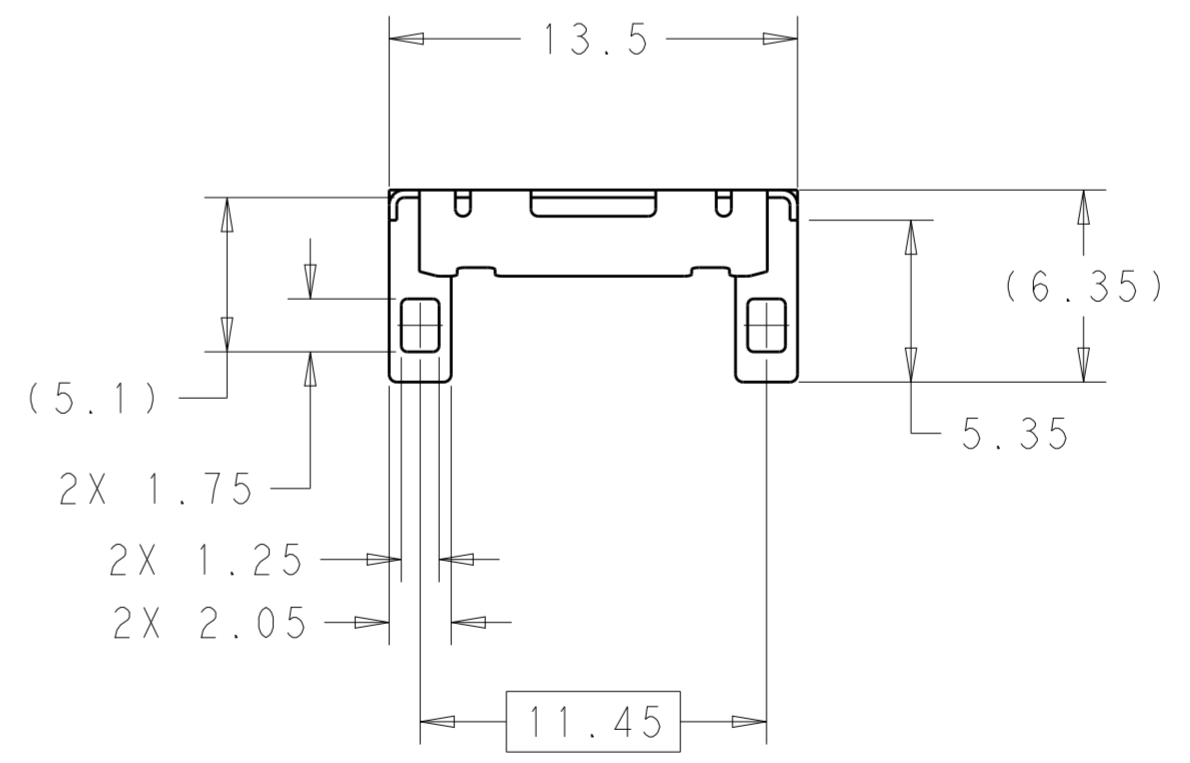
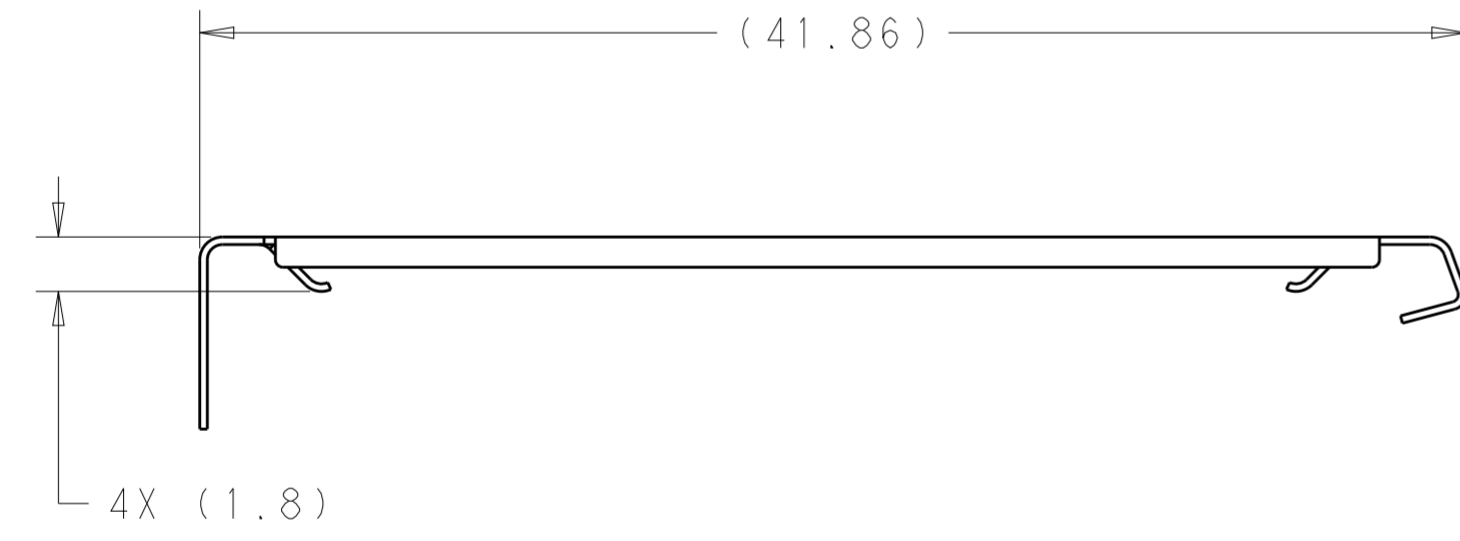
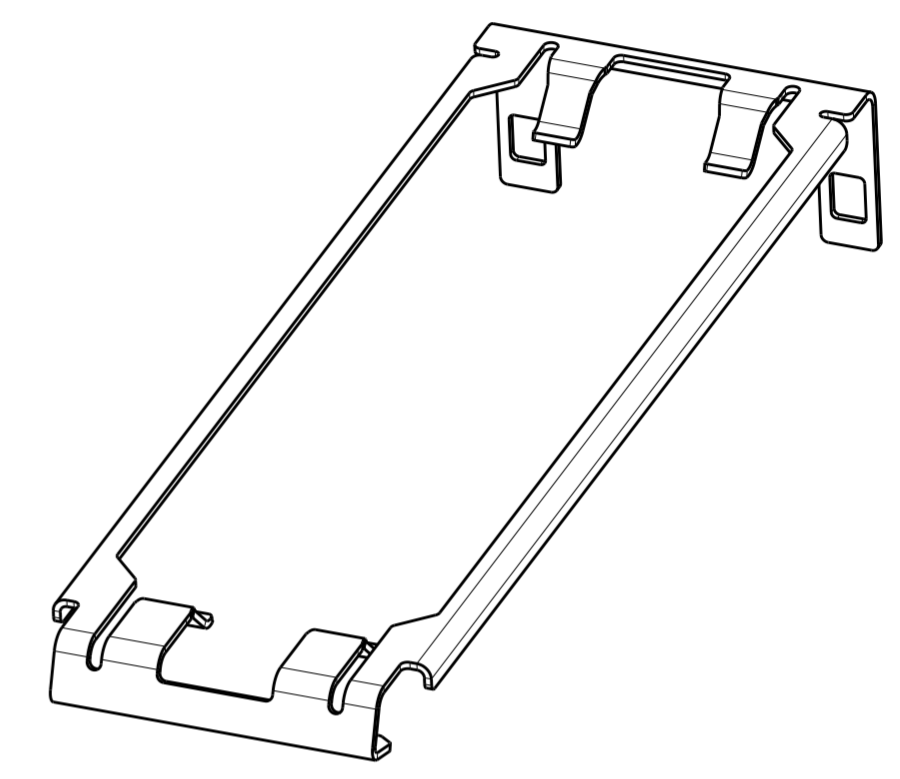


THIS DRAWING IS UNPUBLISHED. RELEASED FOR PUBLICATION  
 © COPYRIGHT copyright.d8te- ALL RIGHTS RESERVED.

LOC	DIST	REVISIONS					
GP	00	P	LTR	DESCRIPTION	DATE	DWN	APVD
		A		RELEASED PER ECO-12-013192	24AUG2012	BMM	MRS
		A1		RELEASED PER ECO-15-012866	17NOV2015	KQ	SH



⚠ MATERIAL: 0.25±0.1 THICK PASSIVATED STAINLESS STEEL



2169851-1  
PART NUMBER

THIS DRAWING IS A CONTROLLED DOCUMENT.		DWN B. MATTHEWS 17AUG2010	TE Connectivity	
DIMENSIONS: mm		CHK M. SCHMITT 17AUG2010		
TOLERANCES UNLESS OTHERWISE SPECIFIED:		APVD M. SCHMITT 17AUG2010	NAME HEATSINK CLIP GANGED SFP+	
0 PLC ± 1 PLC ±0.1 2 PLC ±0.1 3 PLC ±0.1 4 PLC ±0.1 ANGLES ±1° FINISH		PRODUCT SPEC 108-2364	RESTRICTED TO	
MATERIAL		APPLICATION SPEC 114-13120	SIZE A200779	CAGE CODE C-2169851
⚠		WEIGHT -	SCALE 4:1 SHEET 1 OF 3 REV A1	
		Customer Drawing		

4

3

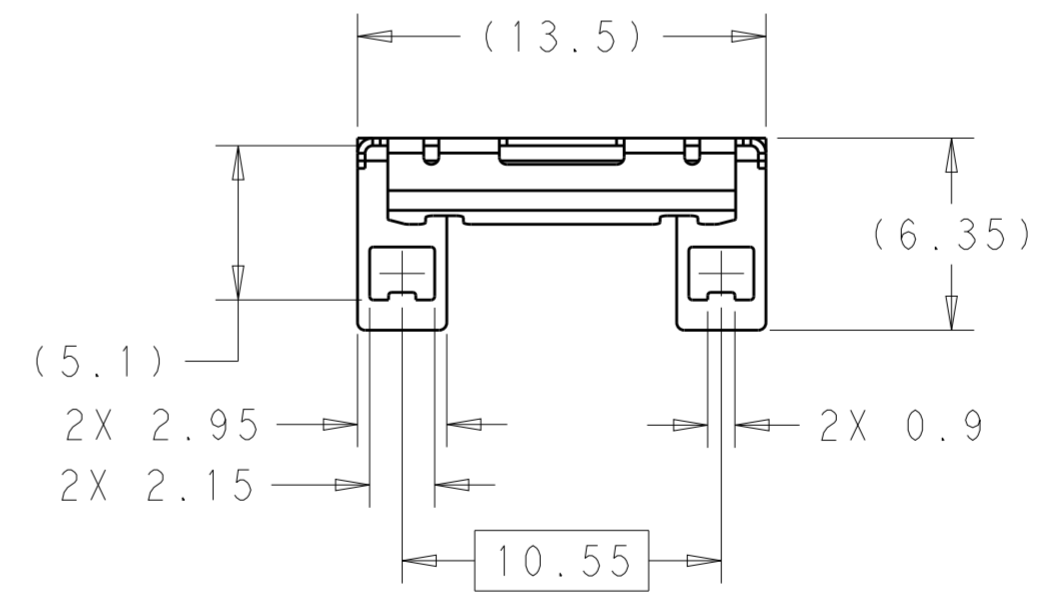
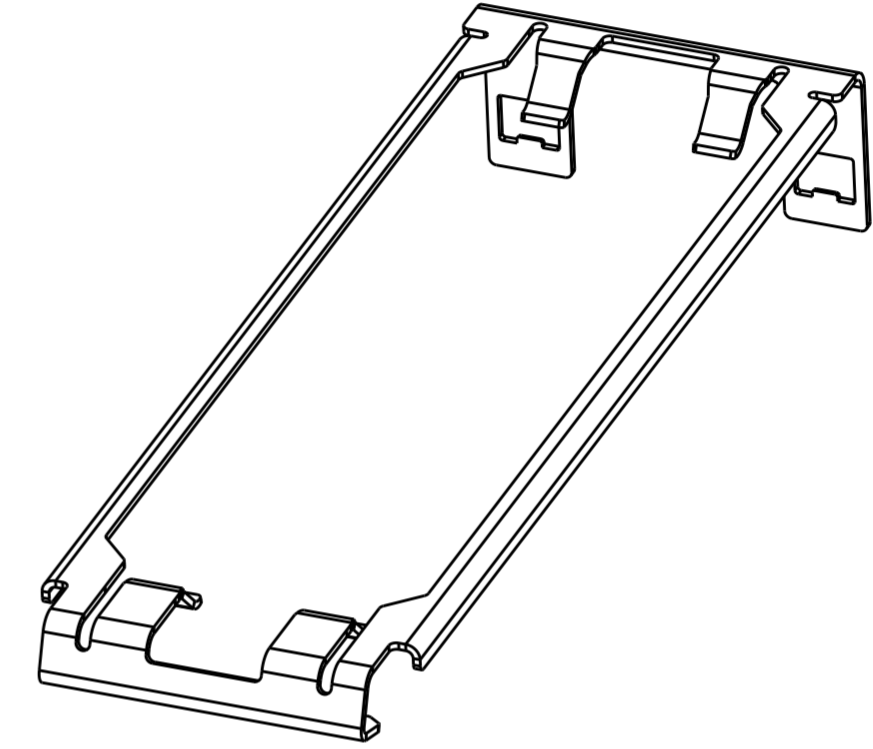
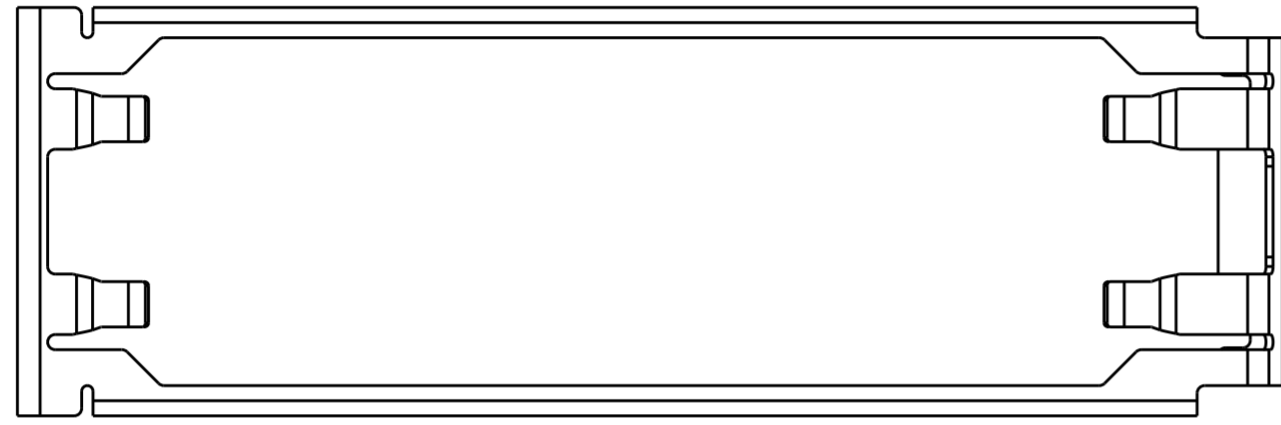
2

1

THIS DRAWING IS UNPUBLISHED. RELEASED FOR PUBLICATION  
 © COPYRIGHT copyright.d08e- ALL RIGHTS RESERVED.


LOC	DIST	REVISIONS					
GP	00	P	LTR	DESCRIPTION	DATE	DWN	APVD

P/N: 2169851-6  
 UNMARKED DIMENSION SAME AS 2169851-1



2169851-6

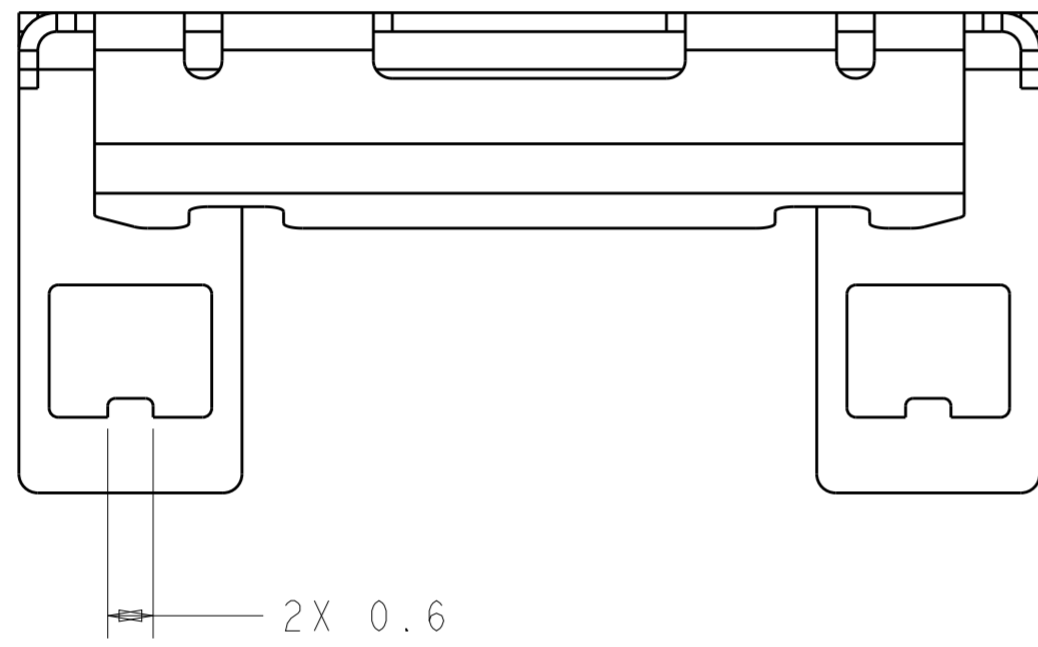
PART  
 NUMBER

THIS DRAWING IS A CONTROLLED DOCUMENT.		DWN B. MATTHEWS 17AUG2010	 TE Connectivity	
DIMENSIONS: mm		CHK M. SCHMITT 17AUG2010		
TOLERANCES UNLESS OTHERWISE SPECIFIED:		APVD M. SCHMITT 17AUG2010	NAME HEATSINK CLIP GANGED SFP+	
0 PLC ±- 1 PLC ±0.1 2 PLC ±0.1 3 PLC ±0.1 4 PLC ±0.1 ANGLES ±1° FINISH		PRODUCT SPEC 108-2364	RESTRICTED TO	
MATERIAL		APPLICATION SPEC 114-13120	SIZE A200779	CAGE CODE C-2169851
		WEIGHT -	DRAWING NO -	
		Customer Drawing		SCALE 4:1 SHEET 2 OF 3 REV A1

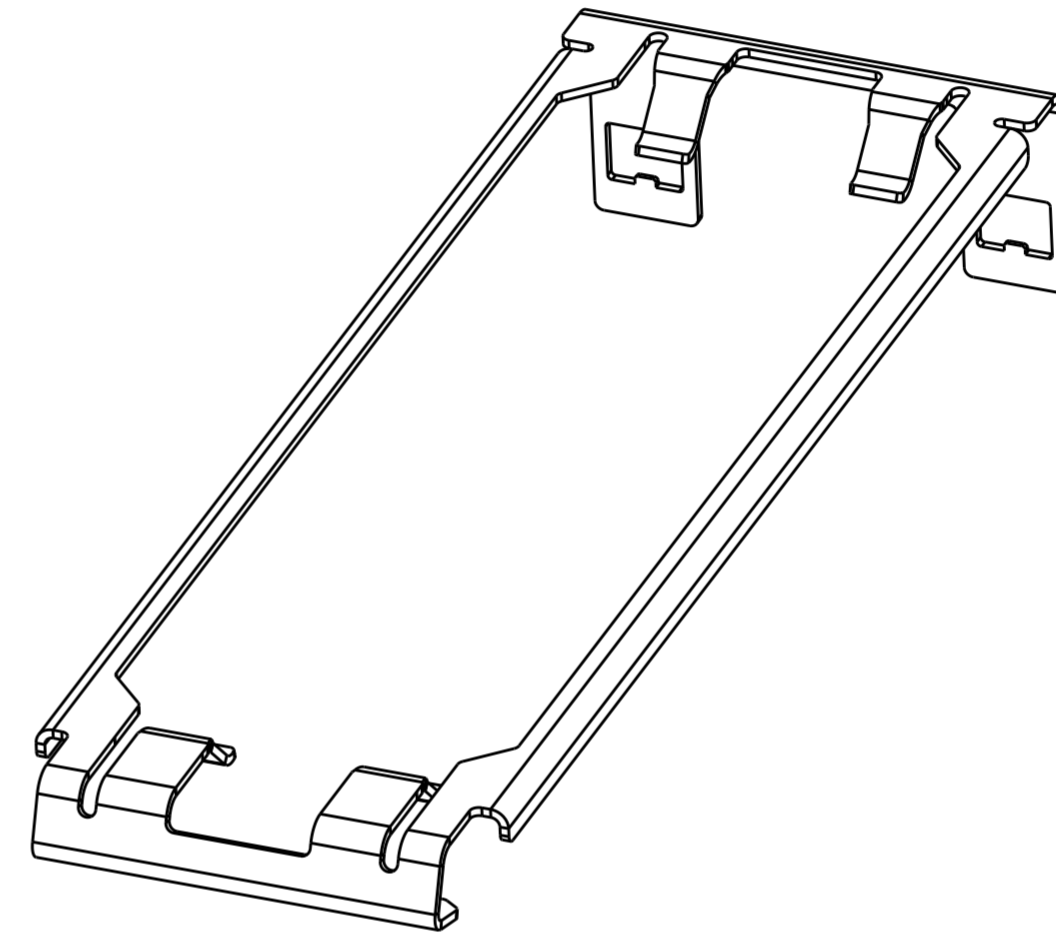
THIS DRAWING IS UNPUBLISHED.      RELEASED FOR PUBLICATION  
 © COPYRIGHT copyright.d08e-      ALL RIGHTS RESERVED.

LOC	DIST	REVISIONS					
GP	00	P	LTR	DESCRIPTION	DATE	DWN	APVD

P/N: 2169851-8  
 UNMARKED DIMENSION SAME AS 2169851-6



SCALE 10:1



2169851-8  
 PART  
 NUMBER

THIS DRAWING IS A CONTROLLED DOCUMENT.		DWN B. MATTHEWS 17AUG2010	<b>STE</b> TE Connectivity	
DIMENSIONS: mm		CHK M. SCHMITT 17AUG2010		
TOLERANCES UNLESS OTHERWISE SPECIFIED:		APVD M. SCHMITT 17AUG2010	NAME HEATSINK CLIP GANGED SFP+	
0 PLC ±-		PRODUCT SPEC 108-2364	SIZE -	
1 PLC ±0.1		APPLICATION SPEC 114-13120	CAGE CODE A2100779	DRAWING NO C-2169851
2 PLC ±0.1		WEIGHT -	RESTRICTED TO -	
3 PLC ±0.1		Customer Drawing		
4 PLC ±0.1		SCALE 4:1	SHEET 3 OF 3	REV A1
ANGLES ±1°				
FINISH				