



Chipsmall Limited consists of a professional team with an average of over 10 year of expertise in the distribution of electronic components. Based in Hongkong, we have already established firm and mutual-benefit business relationships with customers from,Europe,America and south Asia,supplying obsolete and hard-to-find components to meet their specific needs.

With the principle of "Quality Parts,Customers Priority,Honest Operation,and Considerate Service",our business mainly focus on the distribution of electronic components. Line cards we deal with include Microchip,ALPS,ROHM,Xilinx,Pulse,ON,Everlight and Freescale. Main products comprise IC,Modules,Potentiometer,IC Socket,Relay,Connector.Our parts cover such applications as commercial,industrial, and automotives areas.

We are looking forward to setting up business relationship with you and hope to provide you with the best service and solution. Let us make a better world for our industry!



## Contact us

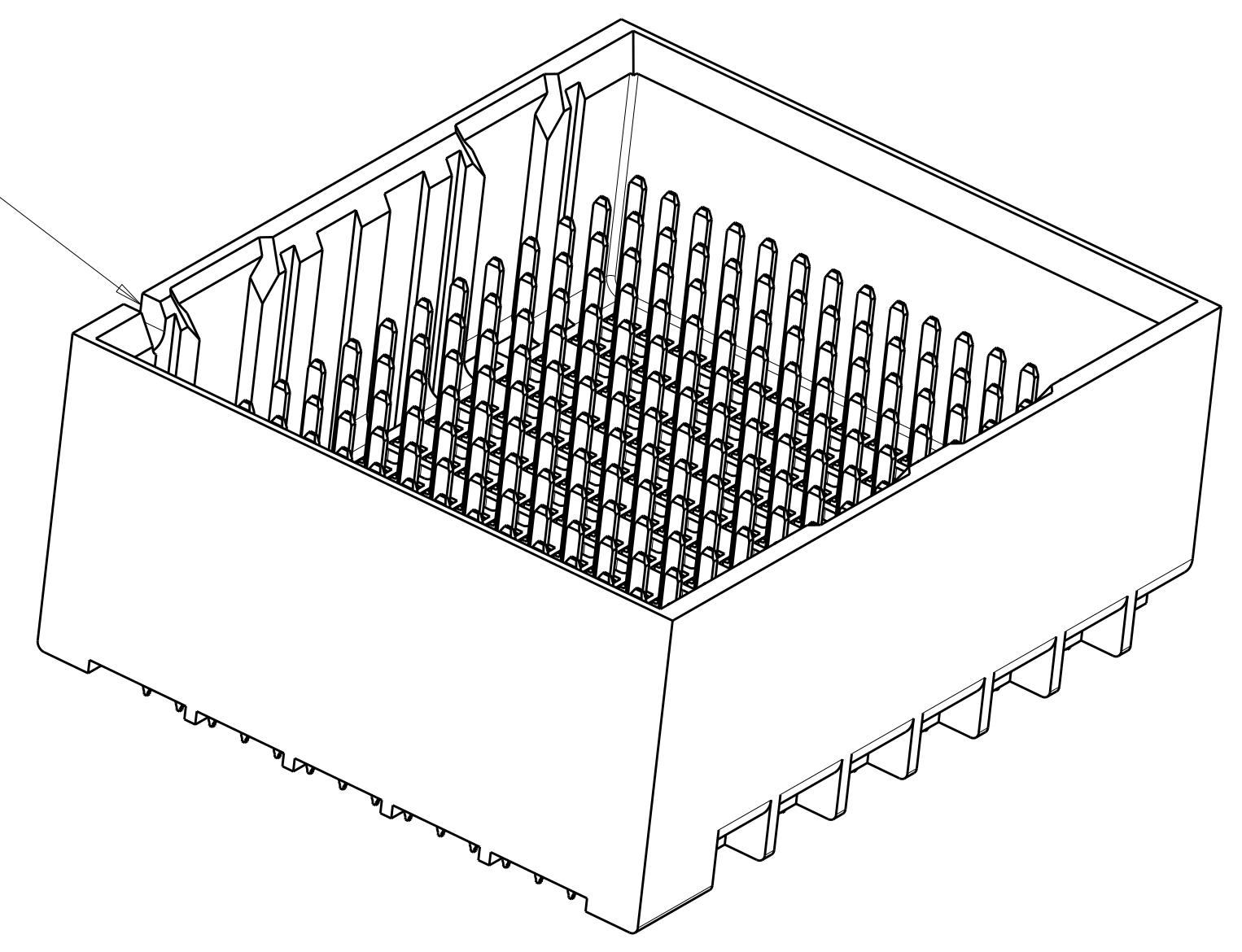
Tel: +86-755-8981 8866 Fax: +86-755-8427 6832

Email & Skype: info@chipsmall.com Web: www.chipsmall.com

Address: A1208, Overseas Decoration Building, #122 Zhenhua RD., Futian, Shenzhen, China

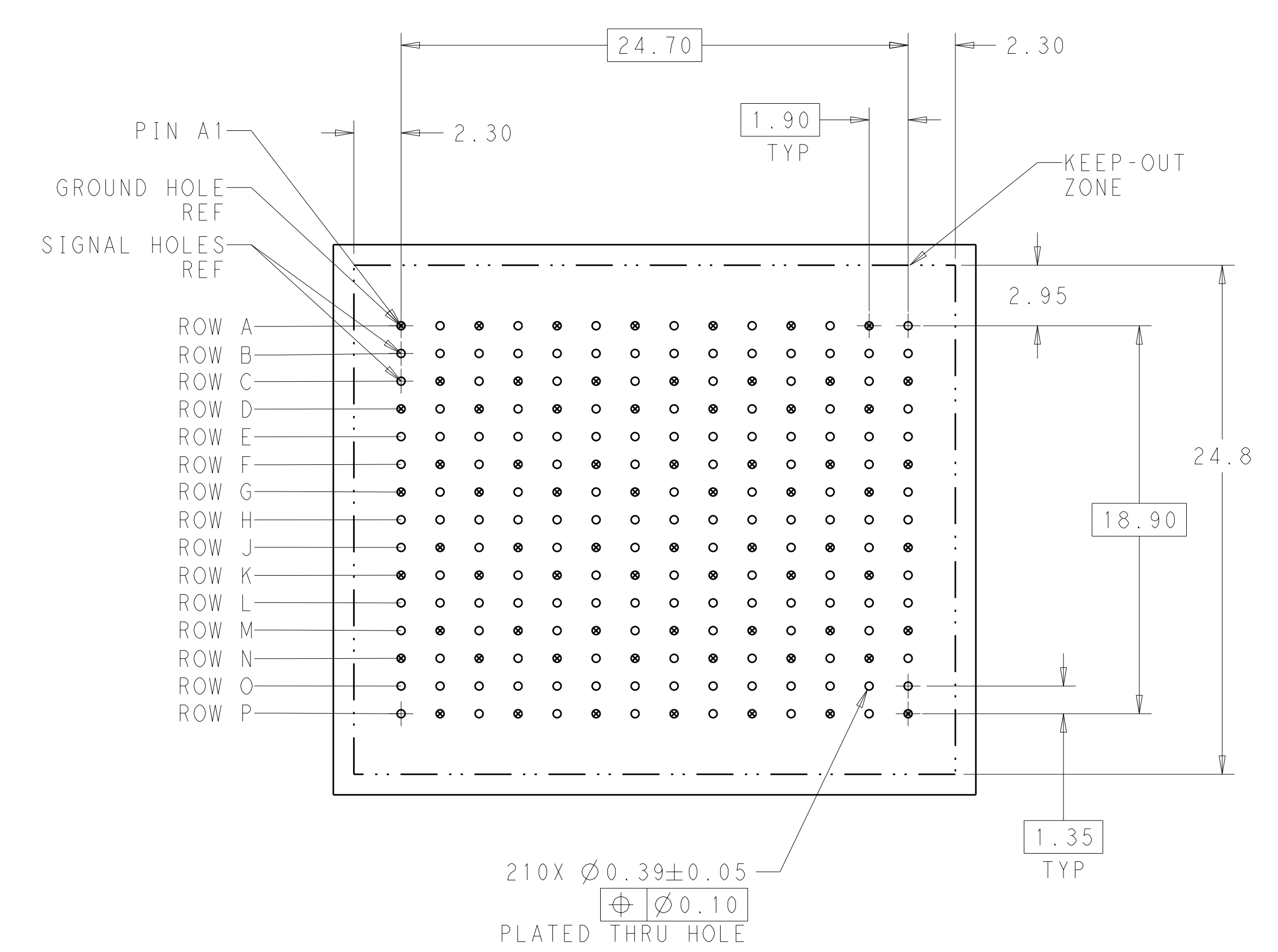
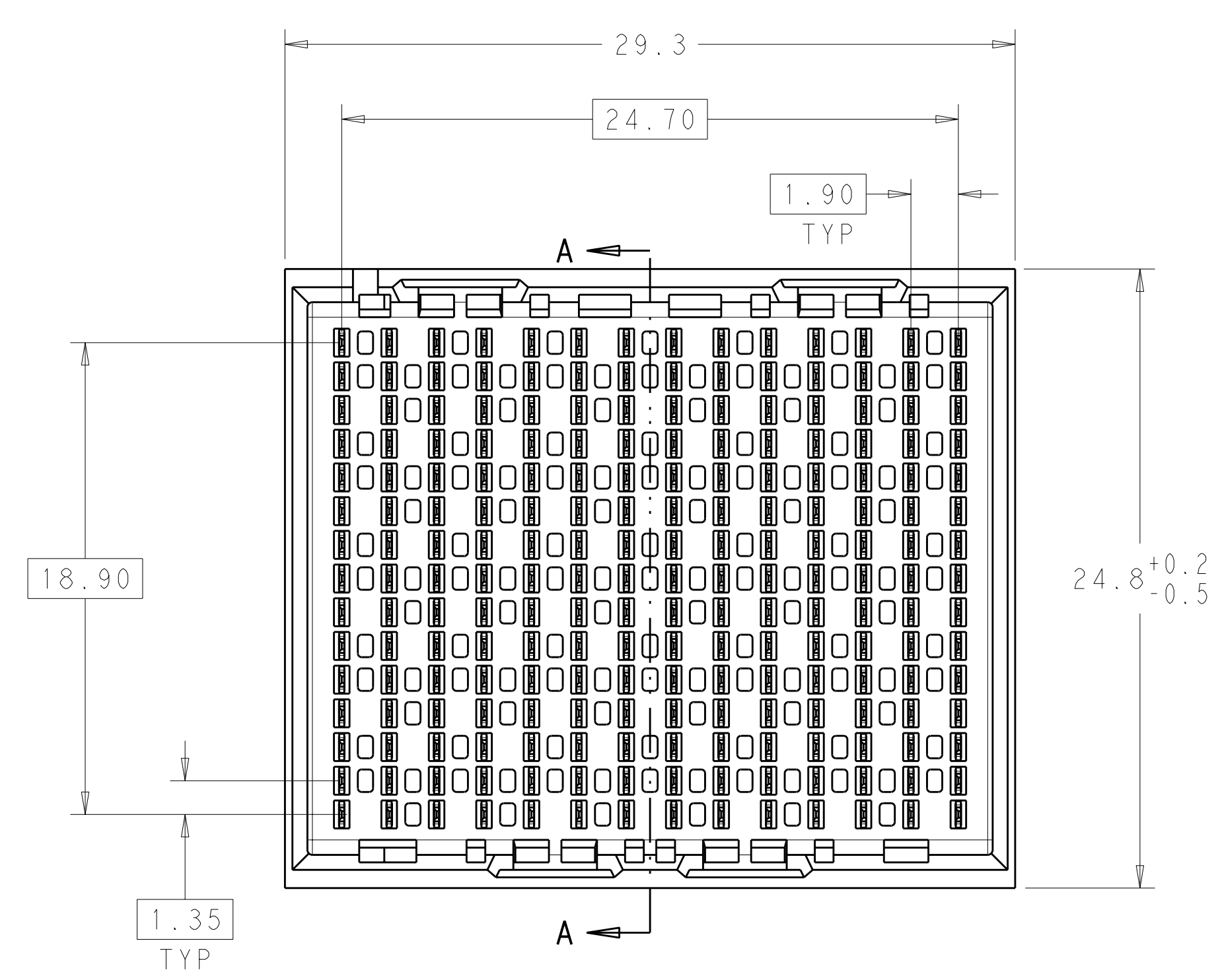


LOC	DIST	REV	DATE	BY	APPD
AD	00	1	02MAY2011	J.E.	
		2	25APR2012	J.E.	

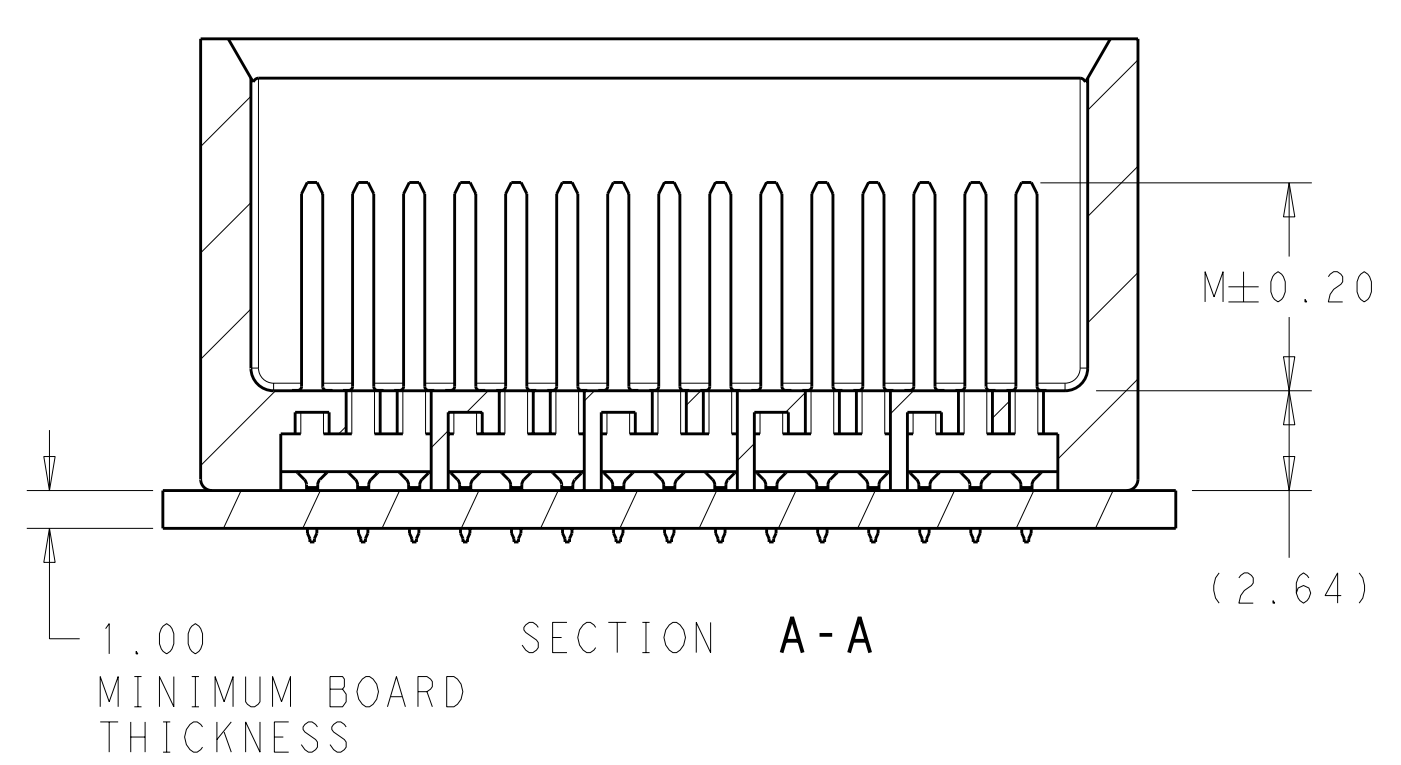
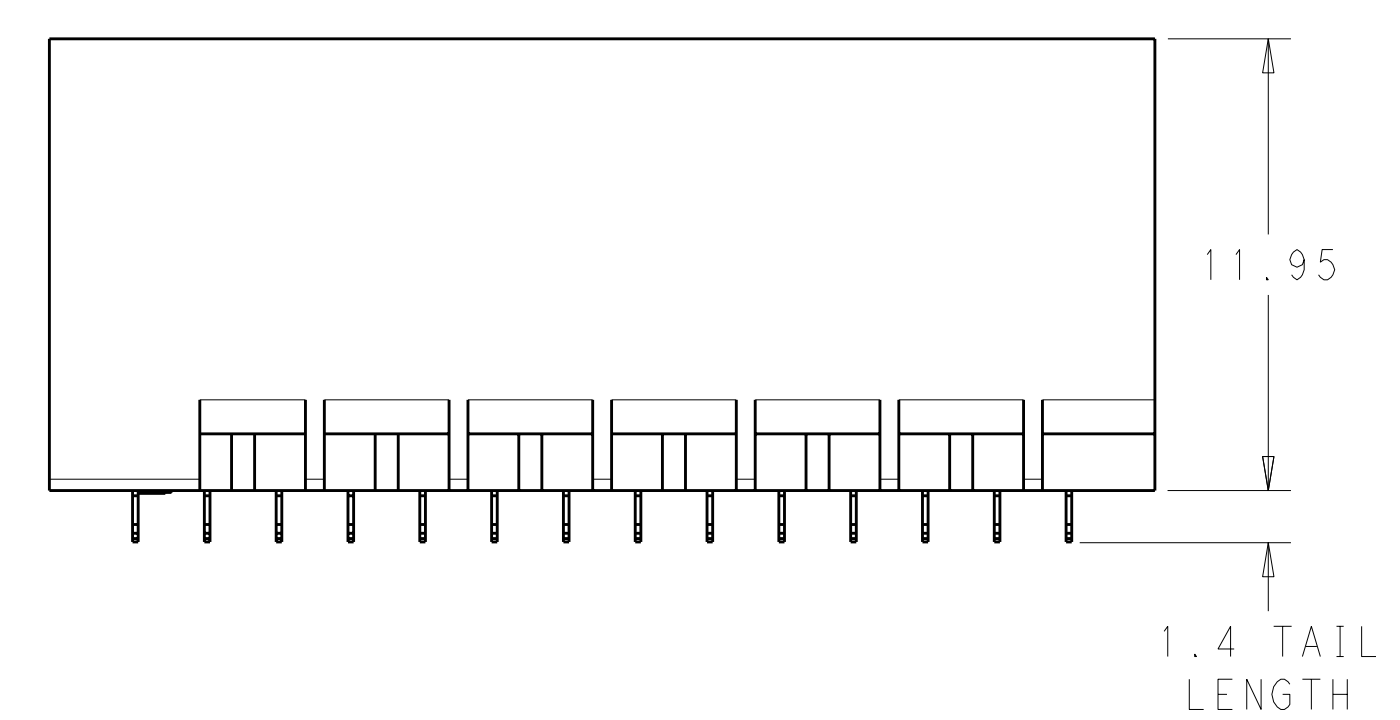


NOTCH DESIGNATES ROW A

- 1 MATERIAL:  
HOUSING: LCP, GLASS FILLED, UL94V-0.  
TERMINALS: HIGH PERFORMANCE COPPER ALLOY.
- 2 FINISH:  
30µ" MIN GOLD IN CONTACT AREA. SELECTIVE TIN ON PCB TAILS, NICKEL OVERALL.



UNGUIDED BACKPLANE HOLE PATTERN (CONNECTOR SIDE)



DESIGN APPROVED THIS PRINT IS  
**PRELIMINARY**  
 TO FIRST PIECE APPROVAL CONTACT PRODUCT ENGINEERING BEFORE USING THIS PRINT

DIMENSIONS: mm TOLERANCES UNLESS OTHERWISE SPECIFIED: 9 PLC ±0.25 3 PLC ±0.13 5 PLC ±0.13 4 PLC ±0.13 ANGLES ±0.13 FINISH:		DWN: R. GRZYBOWSKI 02MAY2011 CHK: J. EARY 02MAY2011 APPD: J. EARY 02MAY2011 PRODUCT SPEC: - APPLICATION SPEC: - WEIGHT: - CUSTOMER DRAWING:	Tyco Electronics Corporation Harrisburg, PA 17105-3608 NAME: IMPACT, 5 PAIR, 14 COLUMN, HEADER UNGUIDED, DUAL END WALL SIGNAL MODULE, 0.39 PTH, SELECT LOAD SIZE: CAGE CODE DRAWING NO: A100779C=2169868 SCALE: 5:1 SHEET 1 OF 2 REV 2
---	--	---	--

THIS DRAWING IS UNPUBLISHED. RELEASED FOR PUBLICATION 20  
 © COPYRIGHT 20 BY TYCO ELECTRONICS CORPORATION. ALL INTERNATIONAL RIGHTS RESERVED.

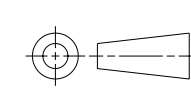
LOC	DIST	REVISIONS			
AD	00	REV	DATE	BY	APPD
-	-	SEE SHEET 1	-	-	-

2169868-1														
PART NUMBER														
CONTACT LAYOUT														
A = 4.5mm (DIM M)														
B = 4.9mm (DIM M)														
C = 5.5mm (DIM M)														
X = EMPTY														
COLUMNS														
	1	2	3	4	5	6	7	8	9	10	11	12	13	14
A	A	A	A	A	X	A	A	A	A	X	A	A	A	A
B	A	A	A	A	X	A	A	A	A	X	A	A	A	A
C	A	A	A	A	X	A	A	A	A	X	A	A	A	A
D	A	A	A	A	X	A	A	A	A	X	A	A	A	A
E	A	A	A	A	X	A	A	A	A	X	A	A	A	A
F	A	A	A	A	X	A	A	A	A	X	A	A	A	A
G	A	A	A	A	X	A	A	A	A	X	A	A	A	A
H	A	A	A	A	X	A	A	A	A	X	A	A	A	A
J	A	A	A	A	X	A	A	A	A	X	A	A	A	A
K	A	A	A	A	X	A	A	A	A	X	A	A	A	A
L	A	A	A	A	X	A	A	A	A	X	A	A	A	A
M	A	A	A	A	X	A	A	A	A	X	A	A	A	A
N	A	A	A	A	X	A	A	A	A	X	A	A	A	A
O	A	A	A	A	X	A	A	A	A	X	A	A	A	A
P	A	A	A	A	X	A	A	A	A	X	A	A	A	A

2169868-2														
PART NUMBER														
CONTACT LAYOUT														
A = 4.5mm (DIM M)														
B = 4.9mm (DIM M)														
C = 5.5mm (DIM M)														
X = EMPTY														
COLUMNS														
	1	2	3	4	5	6	7	8	9	10	11	12	13	14
A	A	A	A	A	A	A	X	X	A	A	A	A	A	A
B	A	A	A	A	A	A	X	X	A	A	A	A	A	A
C	A	A	A	A	A	A	X	X	A	A	A	A	A	A
D	A	A	A	A	A	A	X	X	A	A	A	A	A	A
E	A	A	A	A	A	A	X	X	A	A	A	A	A	A
F	A	A	A	A	A	A	X	X	A	A	A	A	A	A
G	A	A	A	A	A	A	X	X	A	A	A	A	A	A
H	A	A	A	A	A	A	X	X	A	A	A	A	A	A
J	A	A	A	A	A	A	X	X	A	A	A	A	A	A
K	A	A	A	A	A	A	X	X	A	A	A	A	A	A
L	A	A	A	A	A	A	X	X	A	A	A	A	A	A
M	A	A	A	A	A	A	X	X	A	A	A	A	A	A
N	A	A	A	A	A	A	X	X	A	A	A	A	A	A
O	A	A	A	A	A	A	X	X	A	A	A	A	A	A
P	A	A	A	A	A	A	X	X	A	A	A	A	A	A

REFER TO WWW.TE.COM  
FOR PRODUCT AVAILABILITY

DESIGN APPROVED THIS PRINT IS  
**PRELIMINARY**  
TO FIRST PIECE APPROVAL  
CONTACT PRODUCT ENGINEERING  
BEFORE USING THIS PRINT

DIMENSIONS: mm 		TOLERANCES UNLESS OTHERWISE SPECIFIED: 9 PLC ± 1 PLC ±0.25 5 PLC ±0.13 4 PLC ± ANGLES ± FINISH SEE TABLE		DWN R. GRZYBOWSKI 02MAY2011 CHK J. EBY 02MAY2011 APVD J. EBY 02MAY2011 PRODUCT SPEC APPLICATION SPEC WEIGHT CUSTOMER DRAWING		Tyco Electronics Corporation Harrisburg, PA 17105-3608 NAME IMPACT, 5 PAIR, 14 COLUMN, HEADER UNGUIDED, DUAL END WALL SIGNAL MODULE, 0.39 PTH, SELECT LOAD SIZE CAGE CODE DRAWING NO A100779C=2169868 SCALE 5:1 SHEET 2 OF 2 REV 2	
--	--	--	--	--	--	---	--