



Chipsmall Limited consists of a professional team with an average of over 10 year of expertise in the distribution of electronic components. Based in Hongkong, we have already established firm and mutual-benefit business relationships with customers from,Europe,America and south Asia,supplying obsolete and hard-to-find components to meet their specific needs.

With the principle of “Quality Parts,Customers Priority,Honest Operation,and Considerate Service”,our business mainly focus on the distribution of electronic components. Line cards we deal with include Microchip,ALPS,ROHM,Xilinx,Pulse,ON,Everlight and Freescale. Main products comprise IC,Modules,Potentiometer,IC Socket,Relay,Connector.Our parts cover such applications as commercial,industrial, and automotives areas.

We are looking forward to setting up business relationship with you and hope to provide you with the best service and solution. Let us make a better world for our industry!



## Contact us

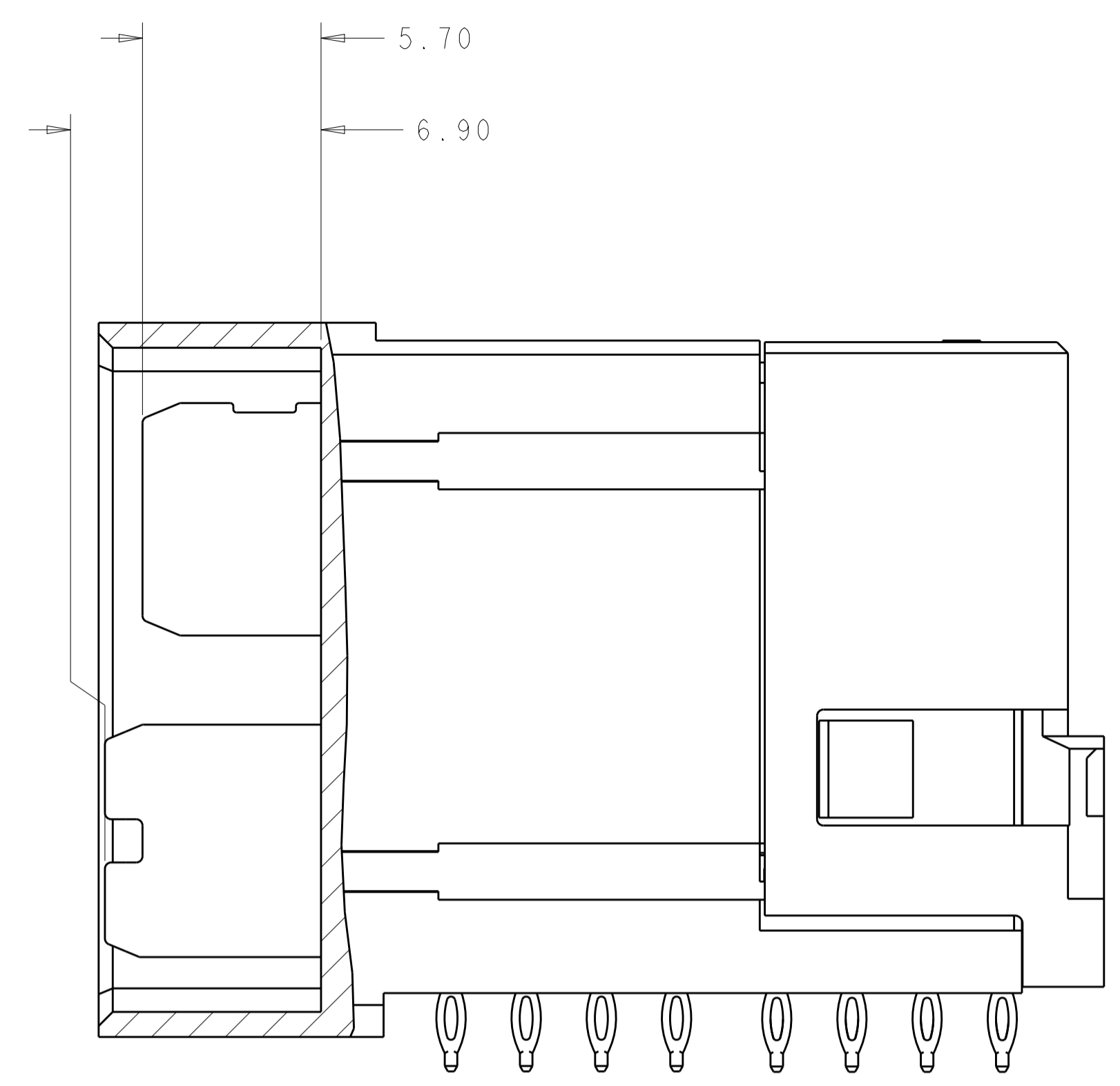
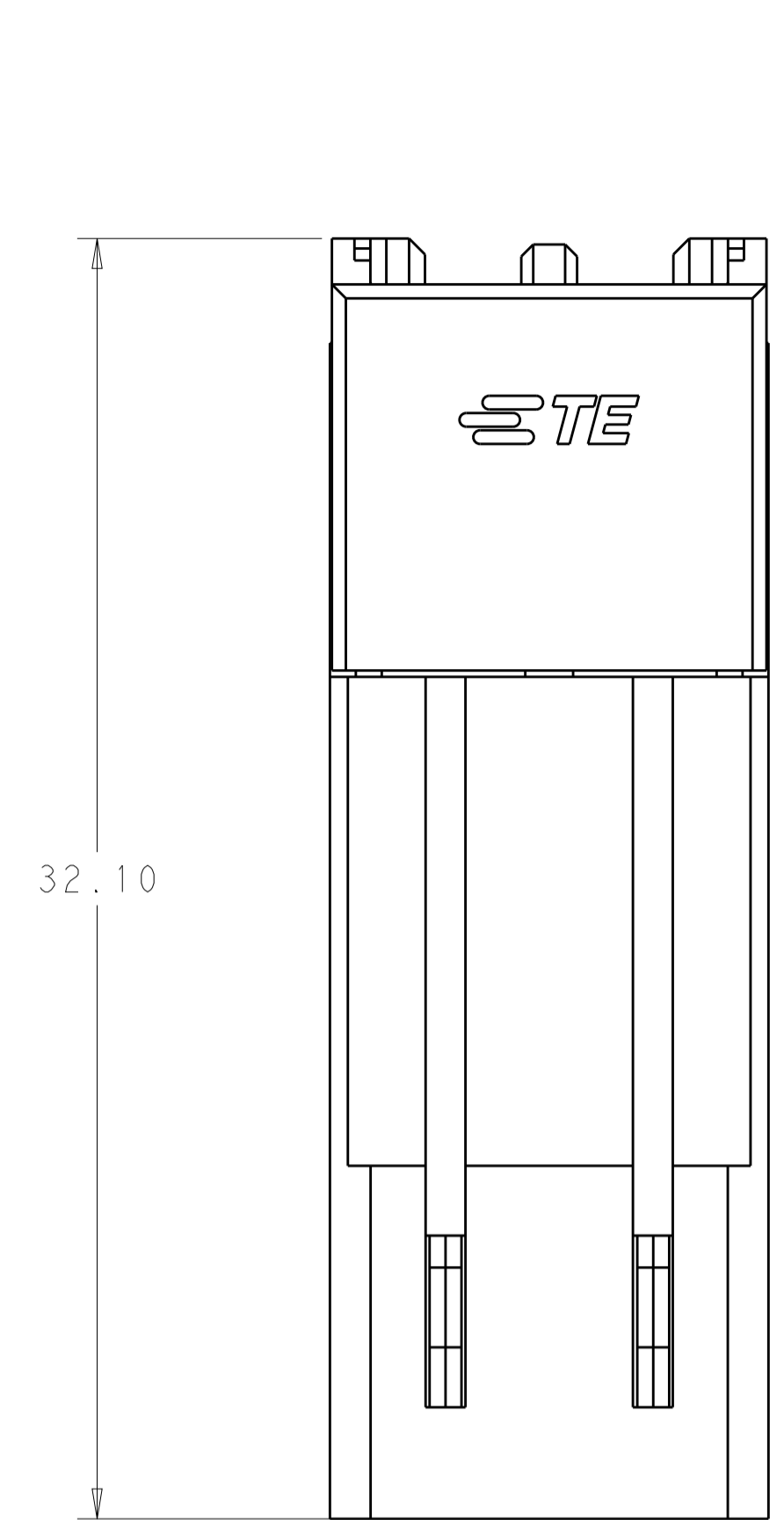
Tel: +86-755-8981 8866 Fax: +86-755-8427 6832

Email & Skype: info@chipsmall.com Web: www.chipsmall.com

Address: A1208, Overseas Decoration Building, #122 Zhenhua RD., Futian, Shenzhen, China

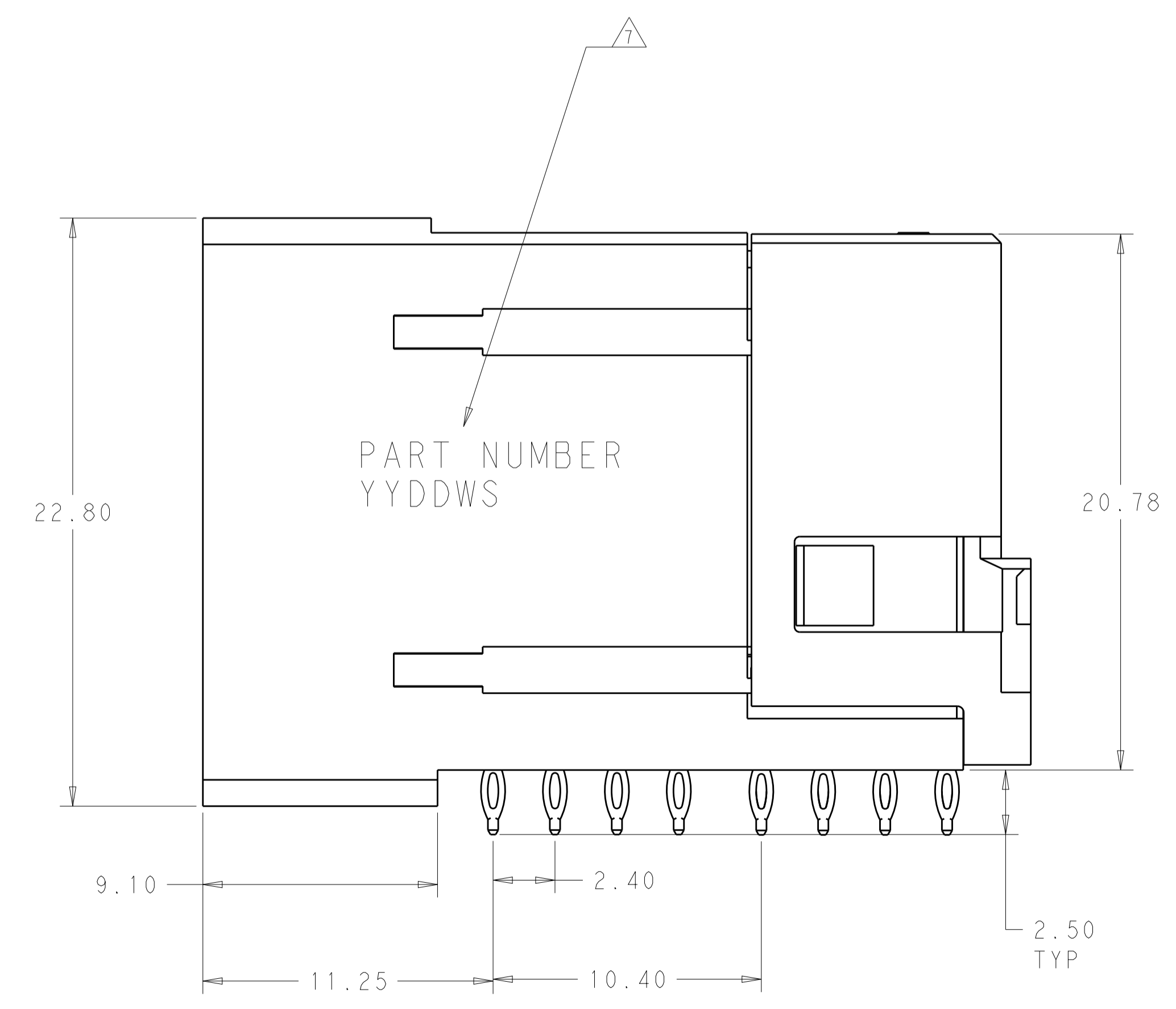
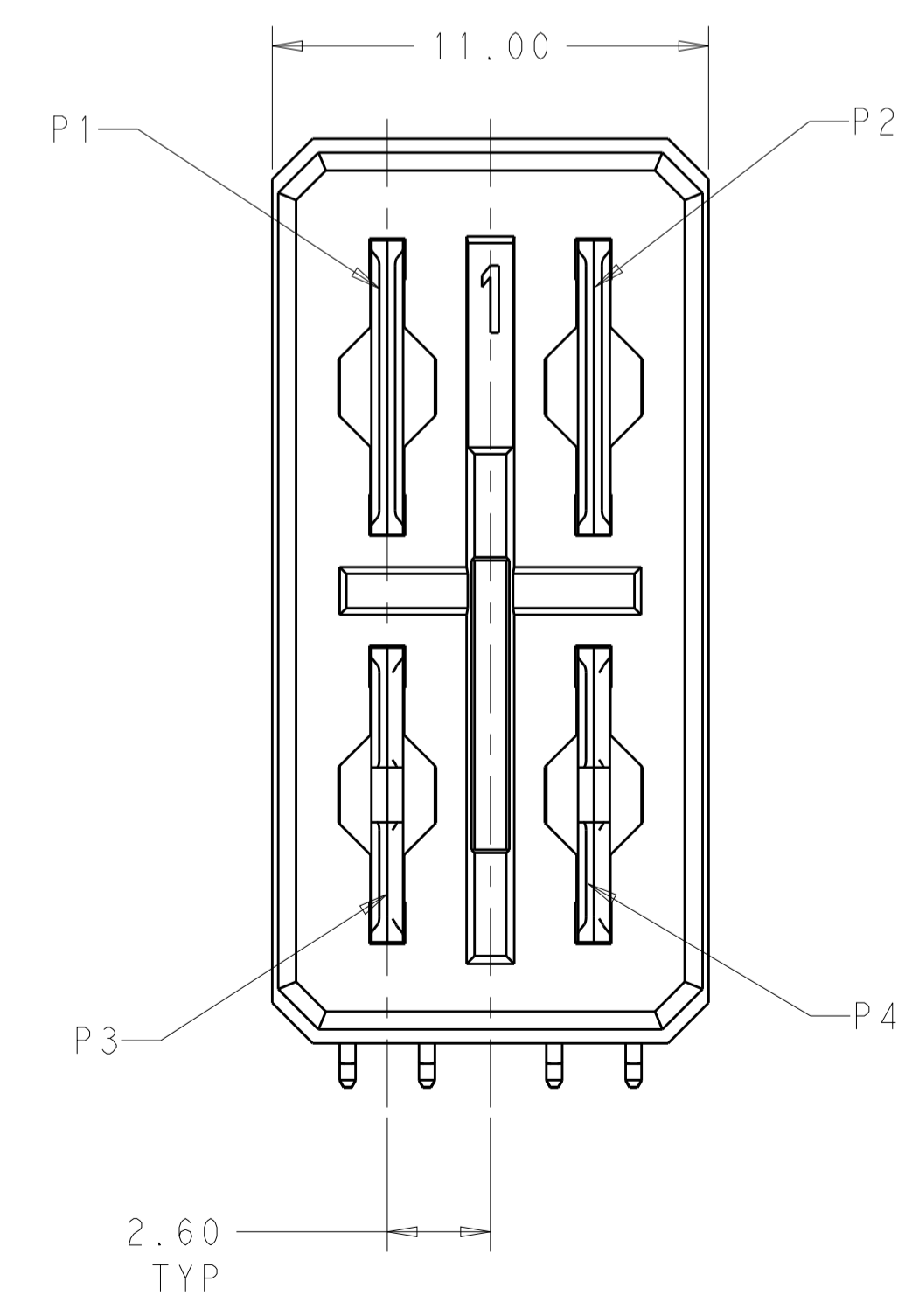


LOC	DIST	REVISIONS					
		P	LTN	DESCRIPTION	DATE	DMN	APVD
GP	00	A		INITIAL RELEASE	12JUN2012	LW	AC
		B		PER ECR-15-015254	04NOV2015	DS	FY



DETAIL FOR CONTACT BLADE

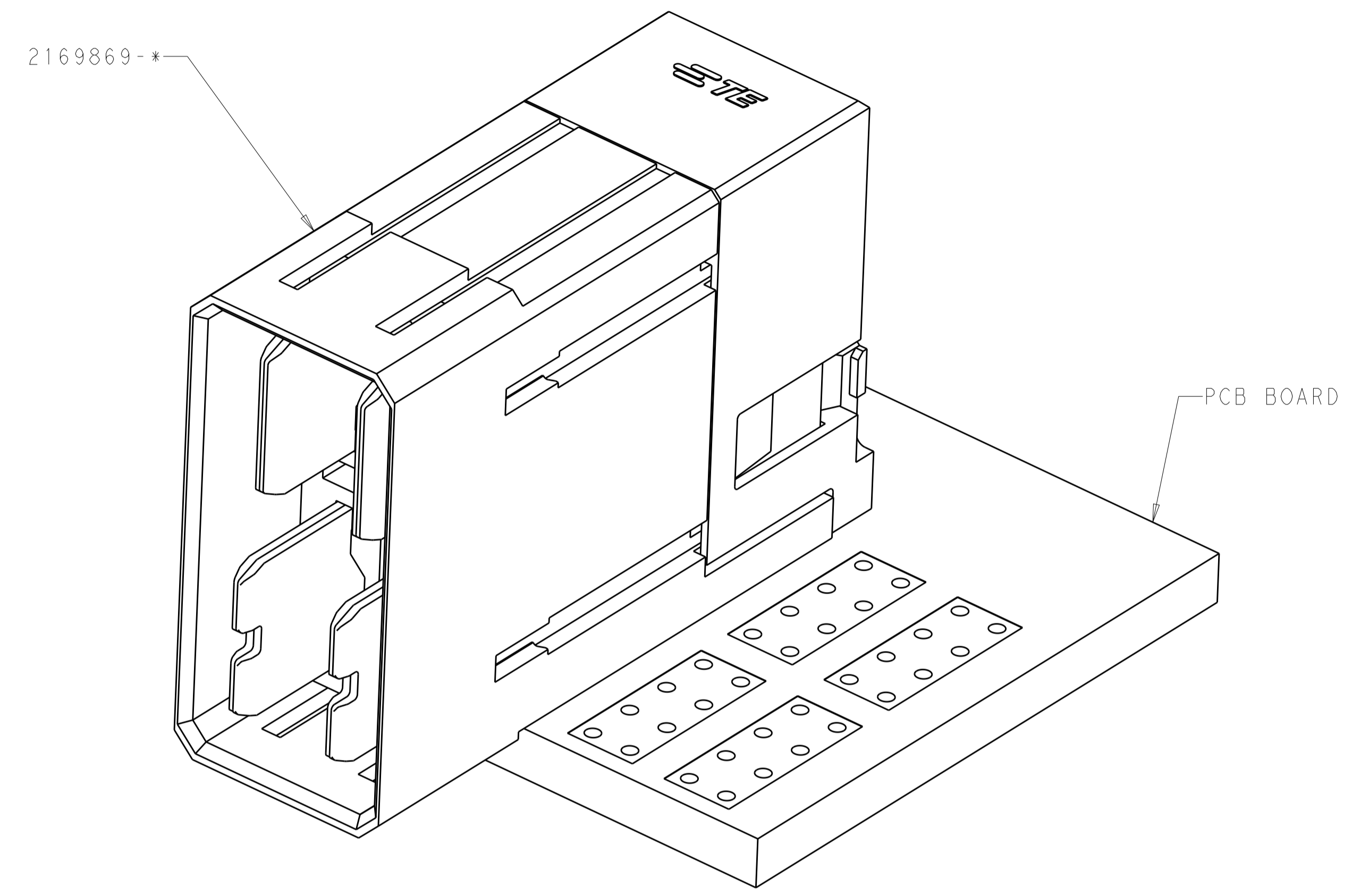
- NOTES:  
 1. MATERIALS:  
 HOUSING: HIGH TEMP. THERMOPLASTIC GLASS/MINERAL FILLED UL94V-0  
 TERMINAL: COPPER ALLOY  
 FINISH:  
 △ TIN OPTION-0.76um MIN GOLD AT CONTACT AREA AND  
 1.27um MIN NICKEL UNDERPLATED OVER ALL  
 2.54um TIN AT SOLDER TAIL AREA  
 TIN-LEAD OPTION-0.76um MIN GOLD AT CONTACT AREA AND  
 1.27um MIN NICKEL UNDERPLATED OVER ALL  
 2.54um TIN-LEAD AT SOLDER TAIL AREA  
 3. PCB NOTE FOR DIAMETER 0.725MM PLATED HOLE.  
 -DRILLED HOLE SIZE IS 0.838MM  
 -PLATED WITH 0.007MM MIN. TIN OVER  
 0.03 TO 0.08MM COPPER UNDERPLATE TO ACHIEVE  
 0.725±0.075MM HOLE.  
 4. CONNECTOR WERE PACKED BY TRAY  
 5. REFER TO TE'S PRODUCT SPECIFICATION: 108-2473  
 FOR TORQUE FORCE AND RETENTION FORCE  
 6. MATED WITH 2169859-\*
- △ PART NUMBER AND DATE CODE AT ASSEMBLY AREA AS APPROXIMATE SHOWN.  
 8. COMPONENT PLACEMENT ZONE



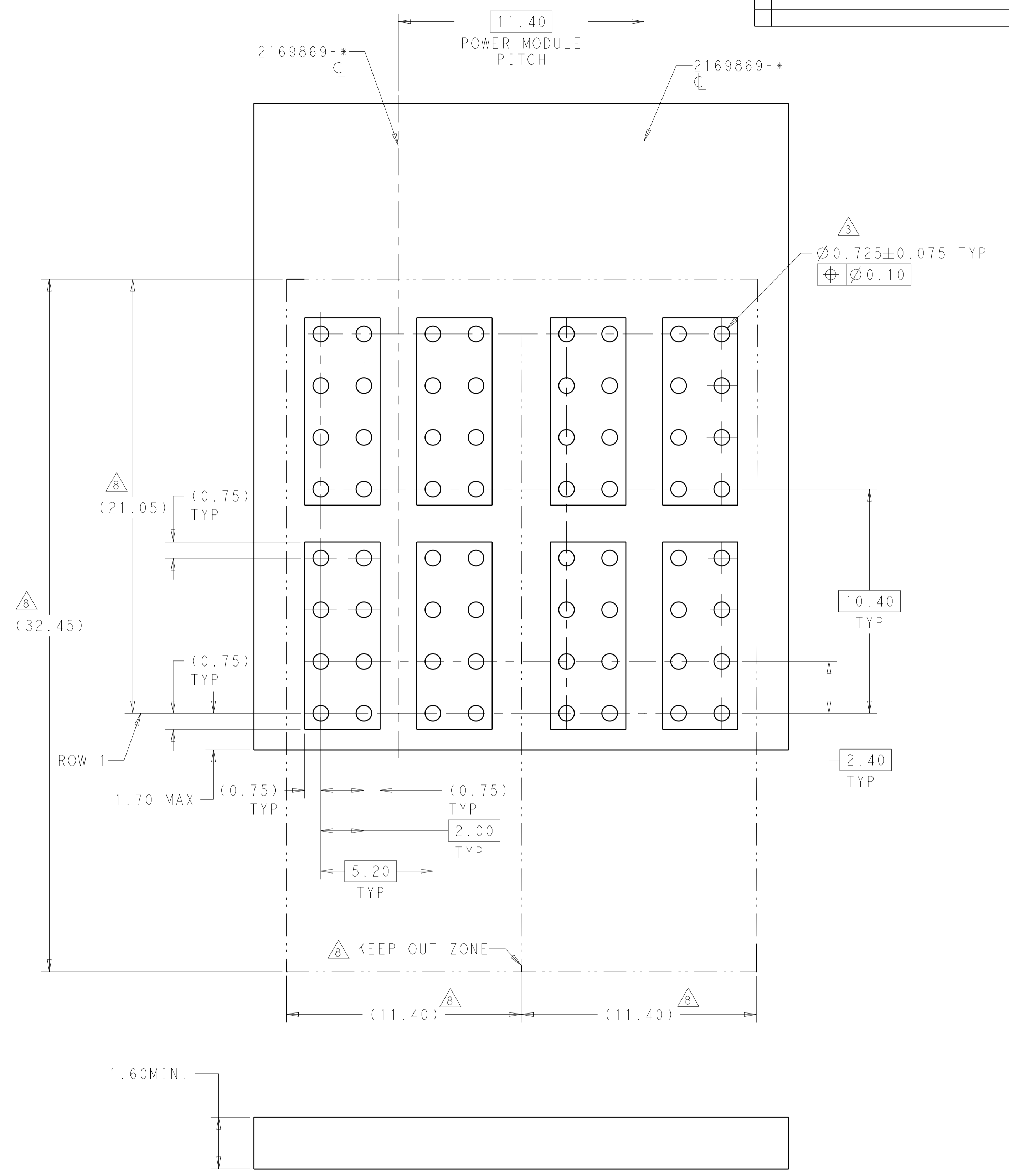
TRAY	TIN PLATING	5.70	5.70	5.70	6.90	2-2169869-2
		6.90	6.90	6.90	6.90	2169869-1
OBSOLETE	TIN-LEAD PLATING	5.70	5.70	5.70	5.70	2169869-2
		6.90	6.90	5.70	5.70	2169869-3
		5.70	5.70	6.90	6.90	2169869-4
		6.90	6.90	6.90	6.90	5-2169869-1
PACKAGING	PLATING OPTION	P1	P2	P3	P4	PART NUMBER
		PIN LENGTH				

DIMENSIONS: mm 0 PLC ±.2 1 PLC ±.25 2 PLC ±.25 3 PLC ±.25 4 PLC ±.25 ANGLES ±.5° FINISH △		TOLERANCES UNLESS OTHERWISE SPECIFIED: ±.2 ±.25 ±.25 ±.25 ±.25 ±.25		DWN LERRY_WANG 05MAY2011 CHK SUNY_ZHAO 05MAY2011 APVD SUNY_ZHAO 05MAY2011 NAME SUNY_ZHAO 05MAY2011		ASSEMBLY IMPACT POWER 5PAIR R/A HEADER PRESS-FIT	
MATERIAL:		FINISH: △		PRODUCT SPEC: 108-2473 APPLICATION SPEC: 114-32028 WEIGHT:		SIZE: A1 CAGE CODE: 00779 DRAWING NO: 2169869 SCALE: 6:1 SHEET: 1 OF 2 REV: B	
CUSTOMER DRAWING				RESTRICTED TO			

LOC	DIST	REVISIONS			
P	LTN	DESCRIPTION	DATE	DMN	APVD
-	-	SEE SHEET 1	-	-	-



CONNECTOR MATED WITH PCB



PCB LAYOUT FOR 5PAIR R/A HEADER POWER MODULE  
 (COMPONENT SIDE SHOWN)

DIMENSIONS: mm 		TOLERANCES UNLESS OTHERWISE SPECIFIED: 0 PLC ±.25 1 PLC ±.25 2 PLC ±.25 3 PLC ±.25 4 PLC ±.25 ANGLES ±.5° FINISH		DWN LERRY WANG 05MAY2011 CHK SUNY ZHAO 05MAY2011 APVD SUNY ZHAO 05MAY2011 NAME PRODUCT SPEC 108-2473 APPLICATION SPEC 114-32028 WEIGHT CUSTOMER DRAWING		ASSEMBLY IMPACT POWER 5PAIR R/A HEADER PRESS-FIT		SIZE CAGE CODE DRAWING NO A 00779 C=2169869 SCALE 6:1 SHEET 2 OF 2 REV B	
-----------------------	--	---	--	--	--	--	--	--	--