



Chipsmall Limited consists of a professional team with an average of over 10 year of expertise in the distribution of electronic components. Based in Hongkong, we have already established firm and mutual-benefit business relationships with customers from,Europe,America and south Asia,supplying obsolete and hard-to-find components to meet their specific needs.

With the principle of “Quality Parts,Customers Priority,Honest Operation,and Considerate Service”,our business mainly focus on the distribution of electronic components. Line cards we deal with include Microchip,ALPS,ROHM,Xilinx,Pulse,ON,Everlight and Freescale. Main products comprise IC,Modules,Potentiometer,IC Socket,Relay,Connector.Our parts cover such applications as commercial,industrial, and automotives areas.

We are looking forward to setting up business relationship with you and hope to provide you with the best service and solution. Let us make a better world for our industry!



## Contact us

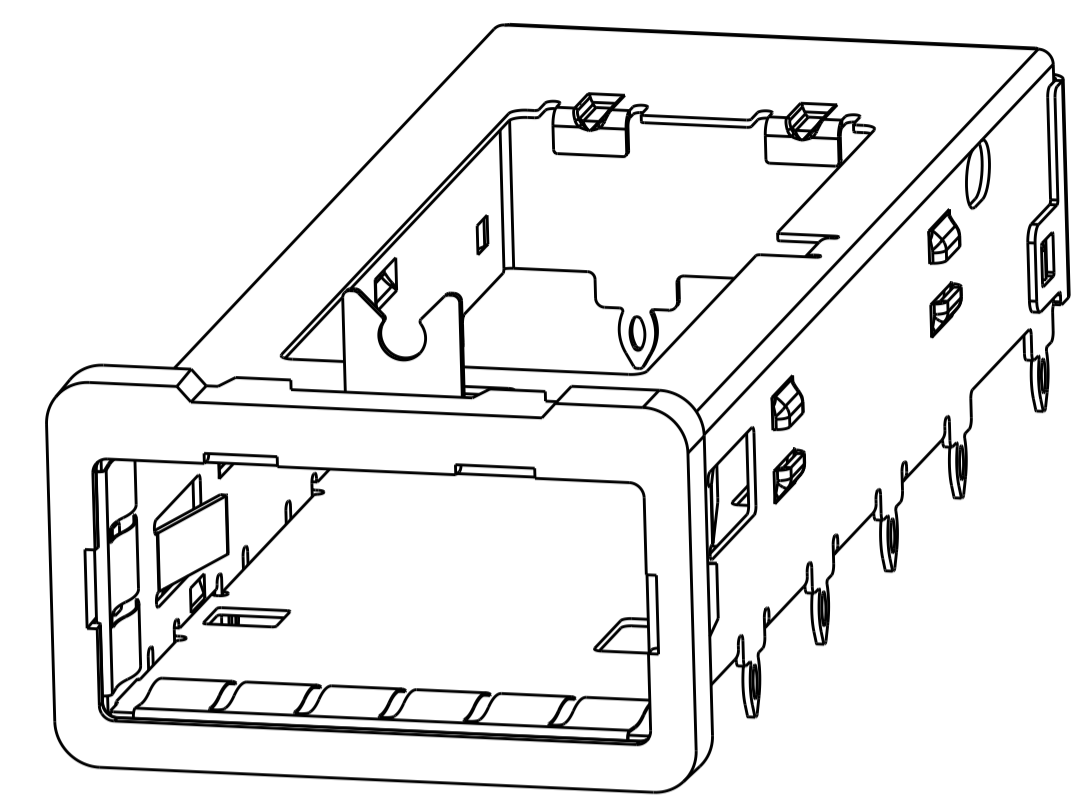
Tel: +86-755-8981 8866 Fax: +86-755-8427 6832

Email & Skype: info@chipsmall.com Web: www.chipsmall.com

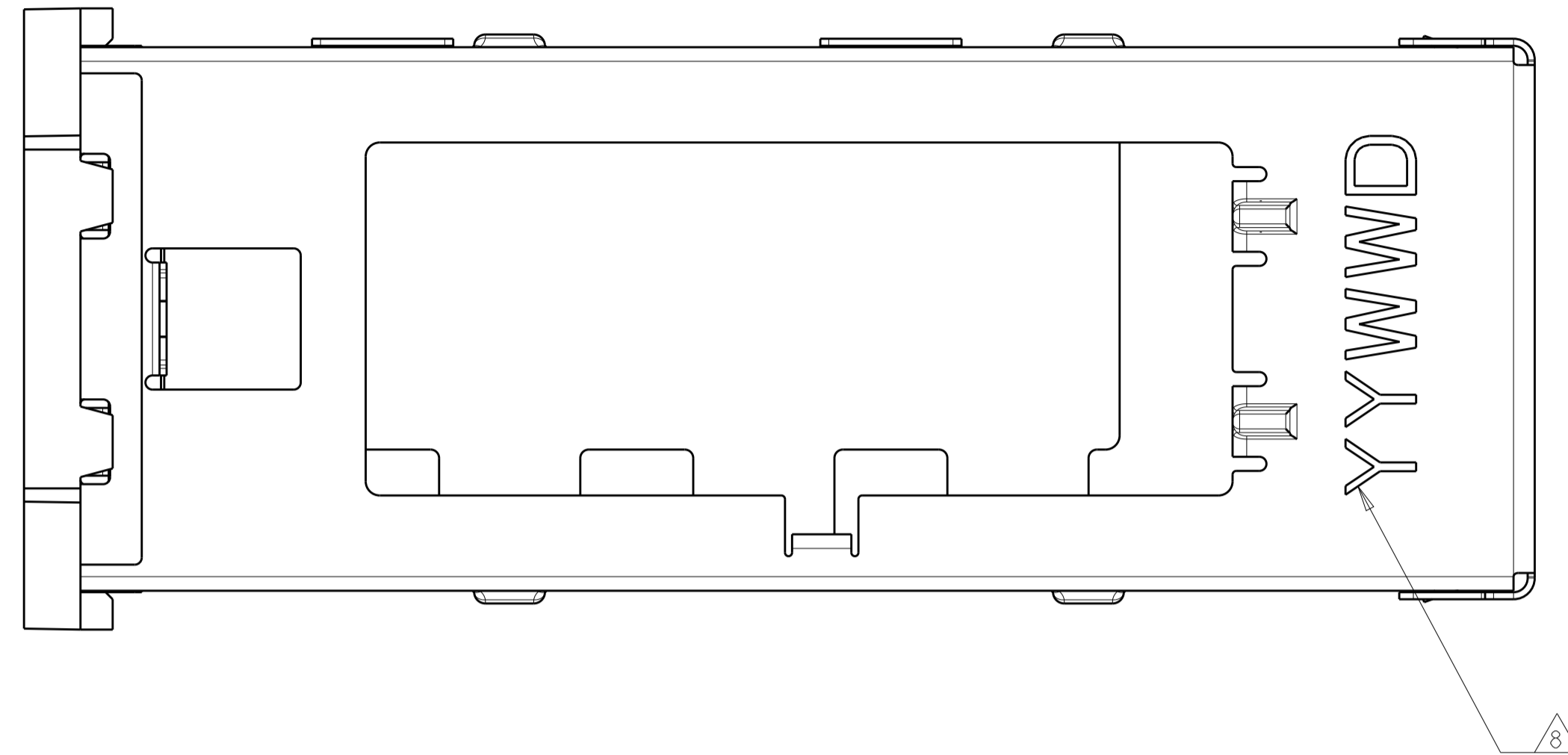
Address: A1208, Overseas Decoration Building, #122 Zhenhua RD., Futian, Shenzhen, China



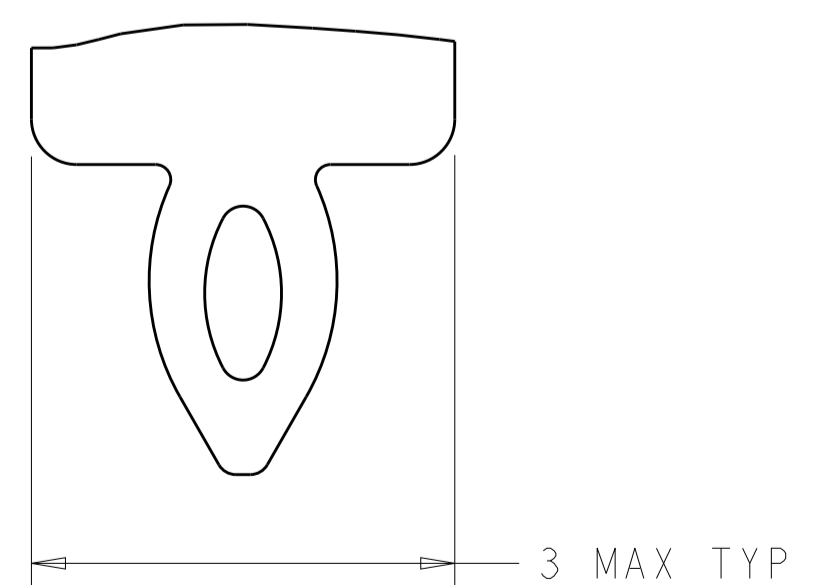
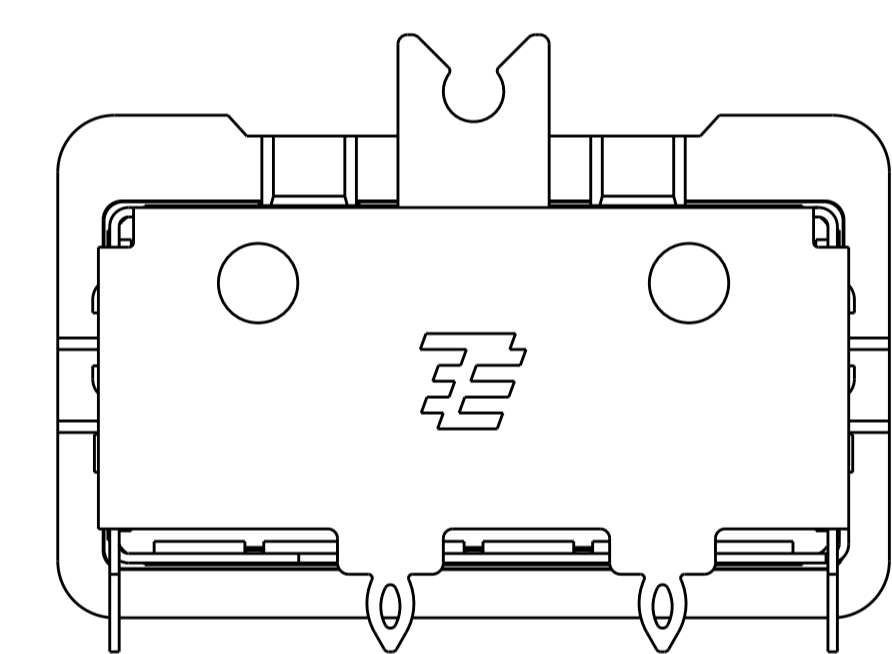
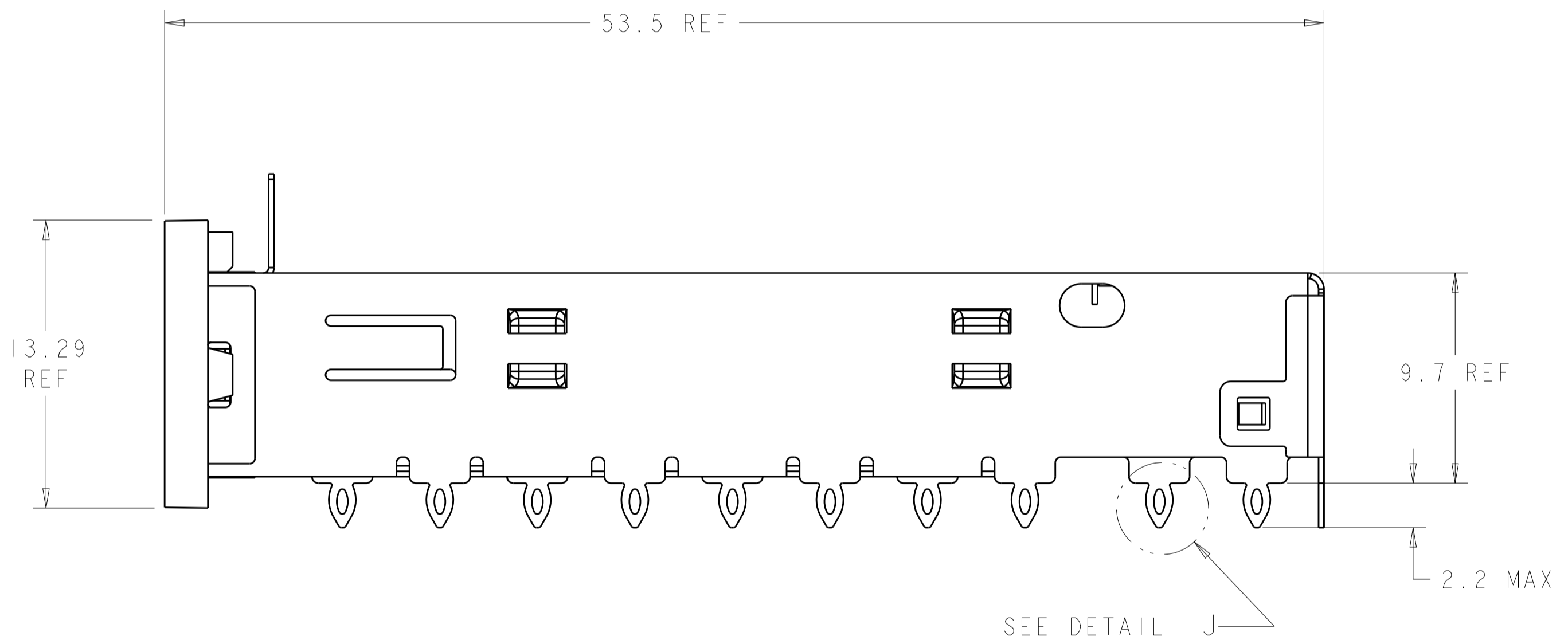
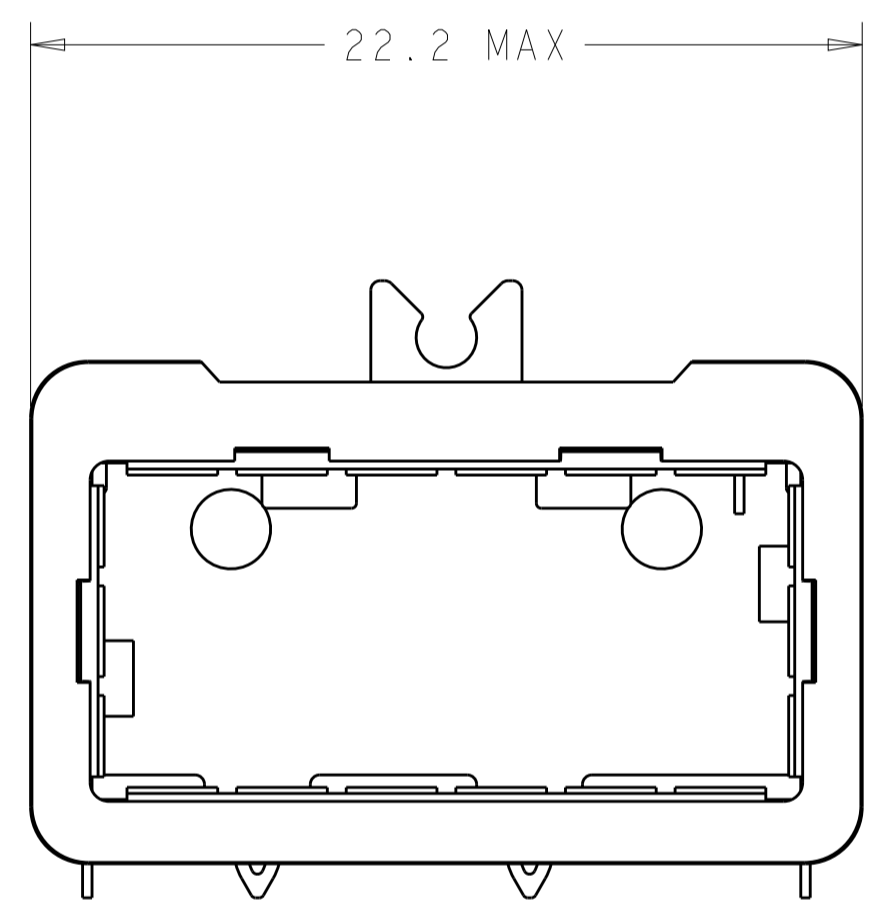
LOC		DIST		REVISIONS			
P	LTN	DESCRIPTION	DATE	DMN	APVD		
1		PRELIMINARY	30JUN2011	AL	CW		
2		REVISED PR ECO-14-018993	2APR2015	RG	MC		



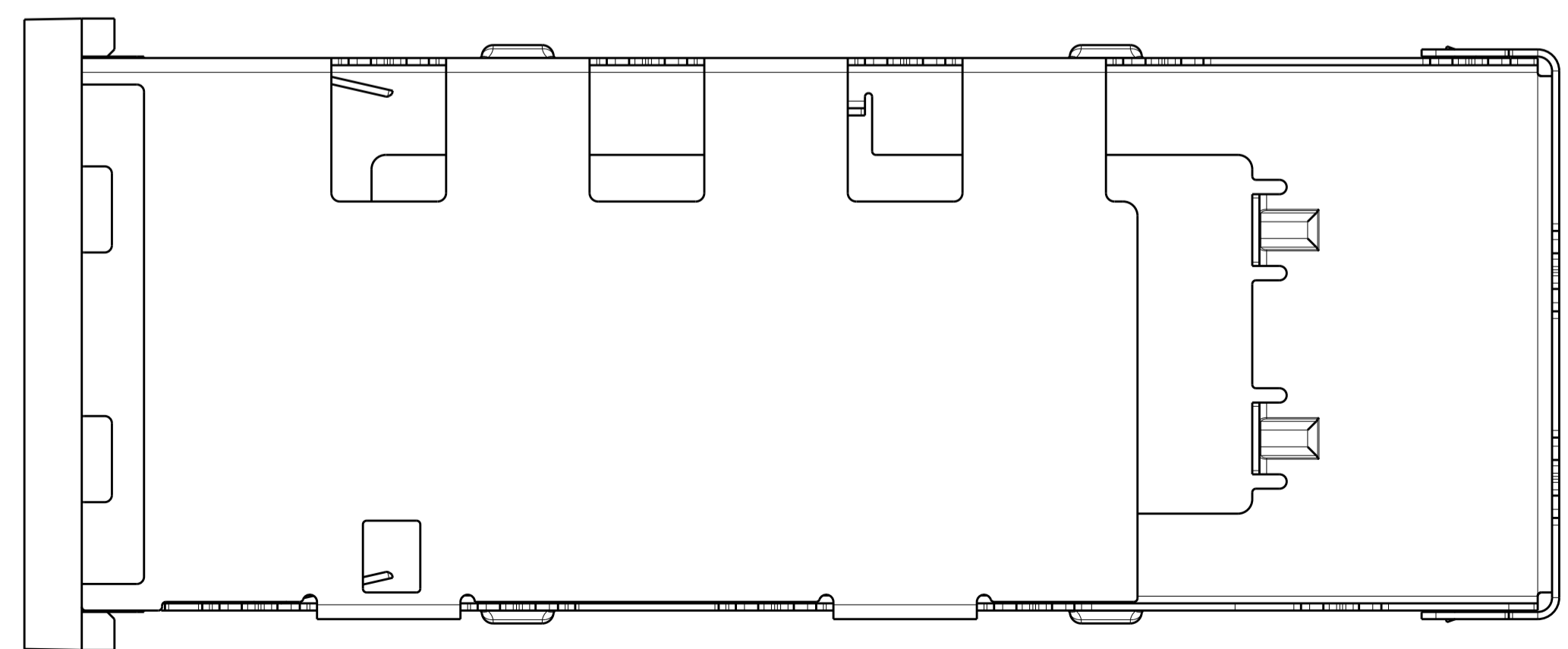
ISOMETRIC VIEW  
SCALE 4:1



- 1. SURFACE TRACES PERMITTED WITHIN THIS LENGTH EXCEPT WHERE CAGE STANDOFFS, SHOWN IN DETAIL J, CONTACT PC BOARD.
- 2. MINIMUM PITCH DIMENSION.
- 3. MATES WITH QSFP MSA COMPATIBLE TRANSCEIVER.
- 4. REFERENCE APPLICATION SPEC 114-13218 FOR RECOMMENDED DRILL HOLE DIAMETER AND PLATING THICKNESS.
- 5. DATUM AND BASIC DIMENSIONS ESTABLISHED BY CUSTOMERS.
- 6. DIMENSION C IS THE NOMINAL THICKNESS OF CUSTOMER SUPPLIED PC BOARD,  
SINGLE SIDED PC BOARD MINIMUM THICKNESS: 1.45  
DOUBLE SIDED PC BOARD MINIMUM THICKNESS: 2.7.
- 7. DATUM [-A-] IS TOP SURFACE OF THE HOST BOARD.
- 8. DATE CODE (YYWW) MARKED APPROXIMATELY AS SHOWN.
- 9. CAGE MATERIAL: 0.25 THICK NICKEL SILVER  
EMI SPRING MATERIAL: COPPER ALLOY  
FRONT FLANGE MATERIAL: ZINC ALLOY.
- 10. EMI SPRING FINISH: 2um MIN TIN  
FRONT FLANGE FINISH: 3um MIN THICK TIN OVER 1.27um MIN THICK NICKEL OVER 5.08um MIN THICK COPPER.
- 11. PRODUCT HAS NOT COMPLETED QUALIFICATION TESTING.



DETAIL J  
SCALE 20:1



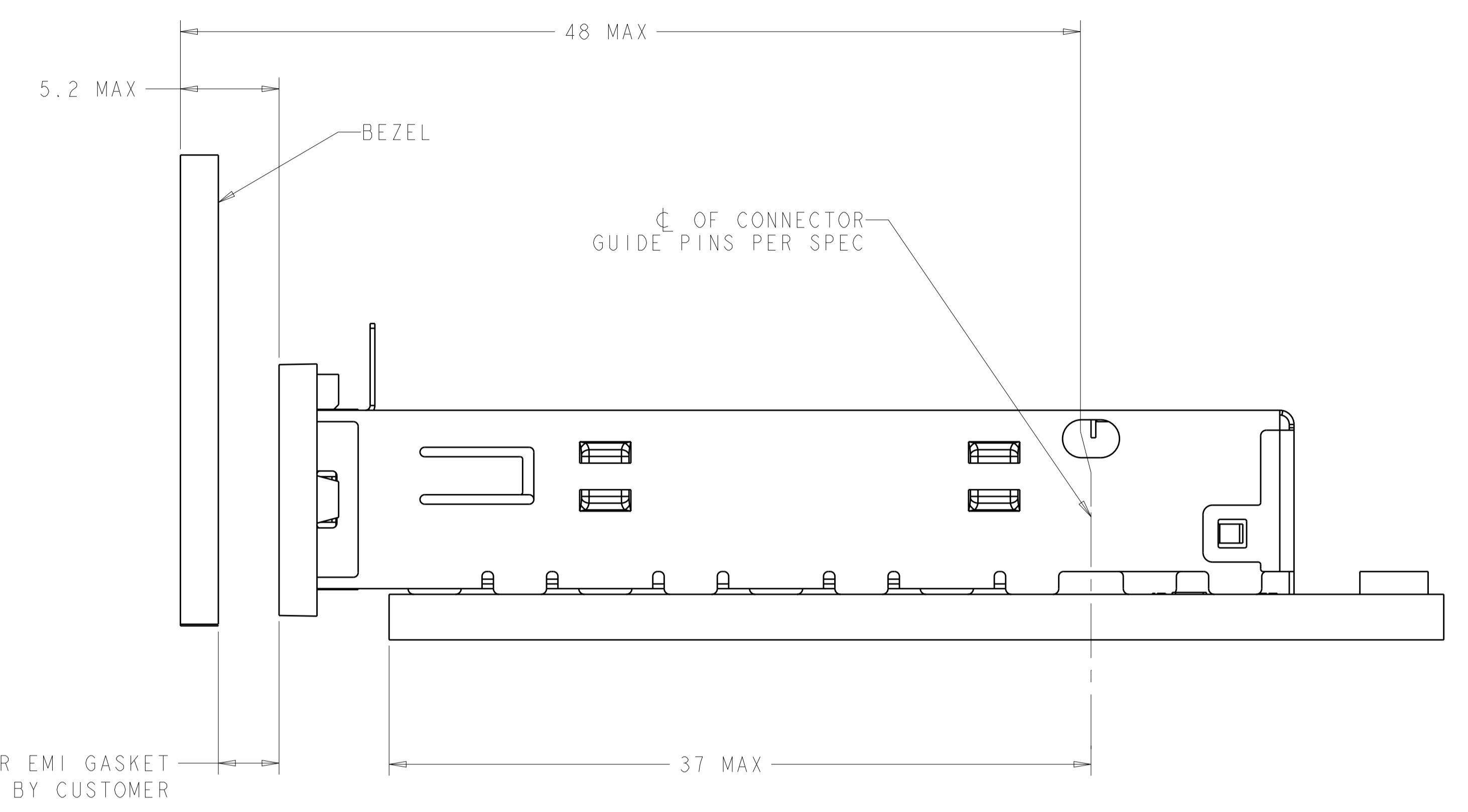
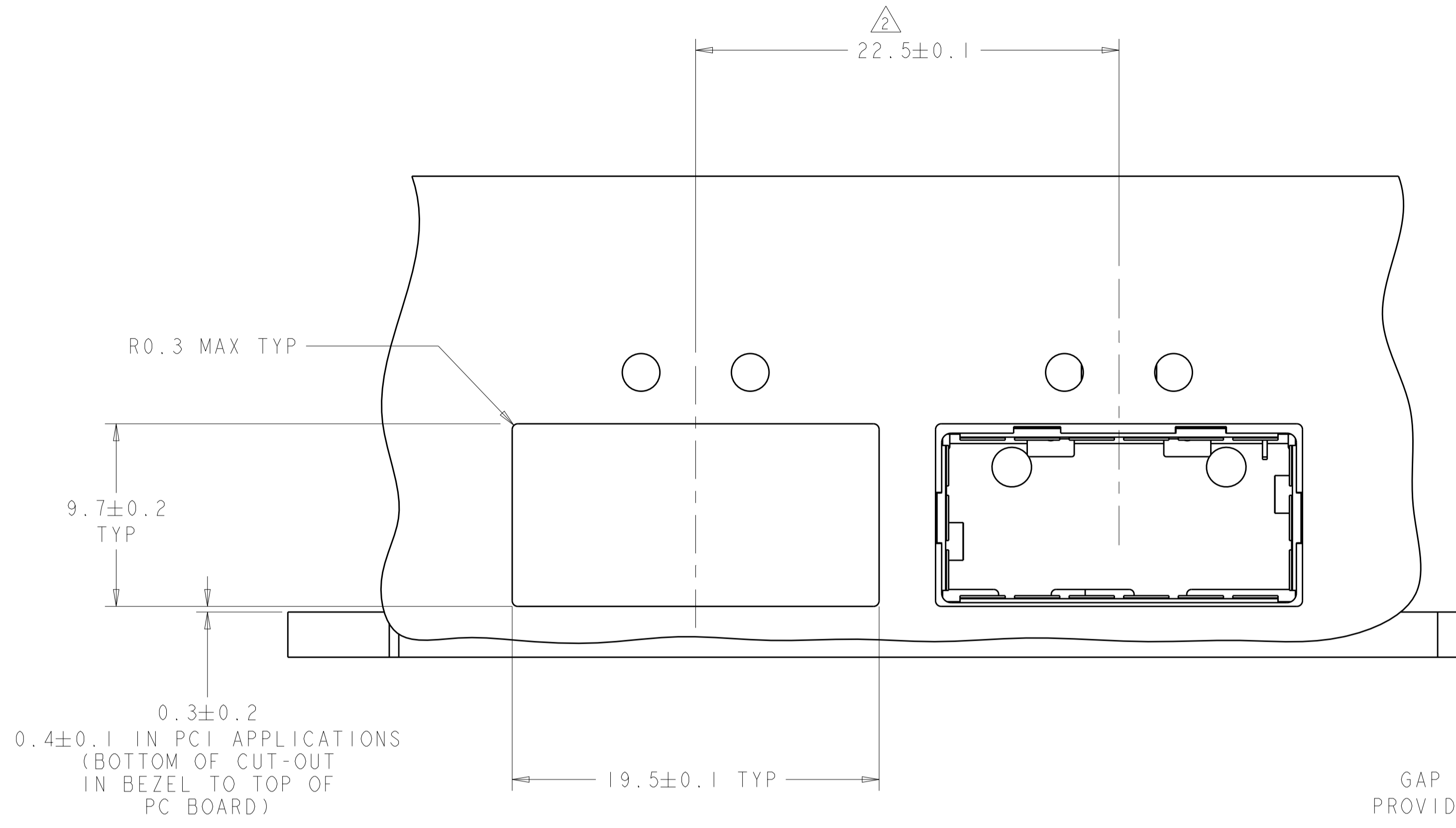
2170111-1  
PART NUMBER

THIS DRAWING IS A CONTROLLED DOCUMENT.		DMN: 27JUN2011	TE Connectivity
		CHK: 28JUN2011	
DIMENSIONS:		APVD: 30JUN2011	NAME: CAGE ASSEMBLY, BEHIND BEZEL, W/ LIGHT PIPE BRACKET, QSFP PRODUCT SPEC: 108-2286 APPLICATION SPEC: 114-13218
TOLERANCES UNLESS OTHERWISE SPECIFIED:			
mm	0 PLC ±0.5	SIZE: A100779C=2170111	RESTRICTED TO
	1 PLC ±0.13	WEIGHT: -	
	2 PLC ±0.13	Customer Drawing	SCALE: 5:1 SHEET 1 OF 4 REV 2
	3 PLC ±0.013		
	4 PLC ±0.001		
	ANGLES ±0.0001		
	FINISH: 9		
	10		

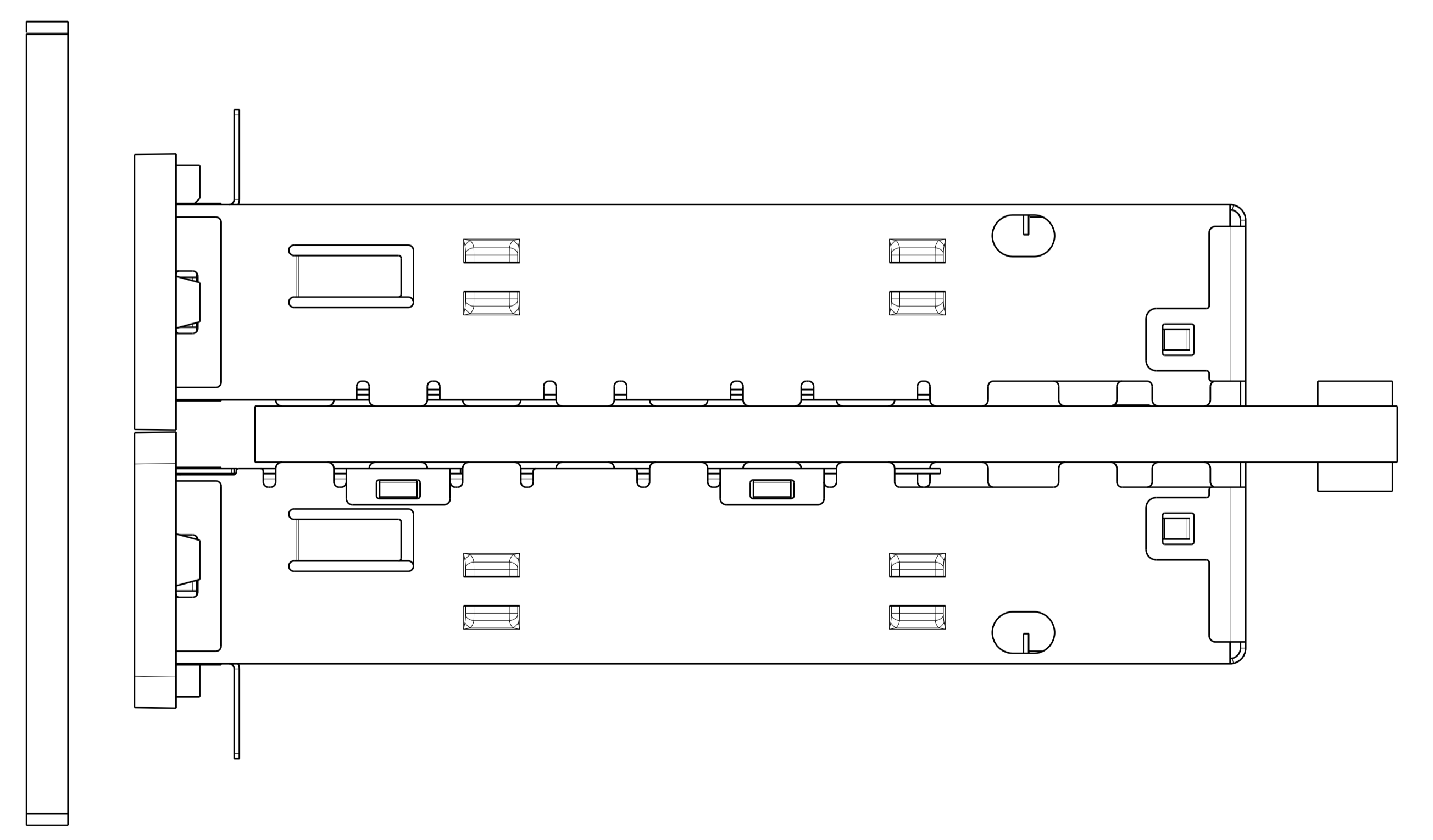
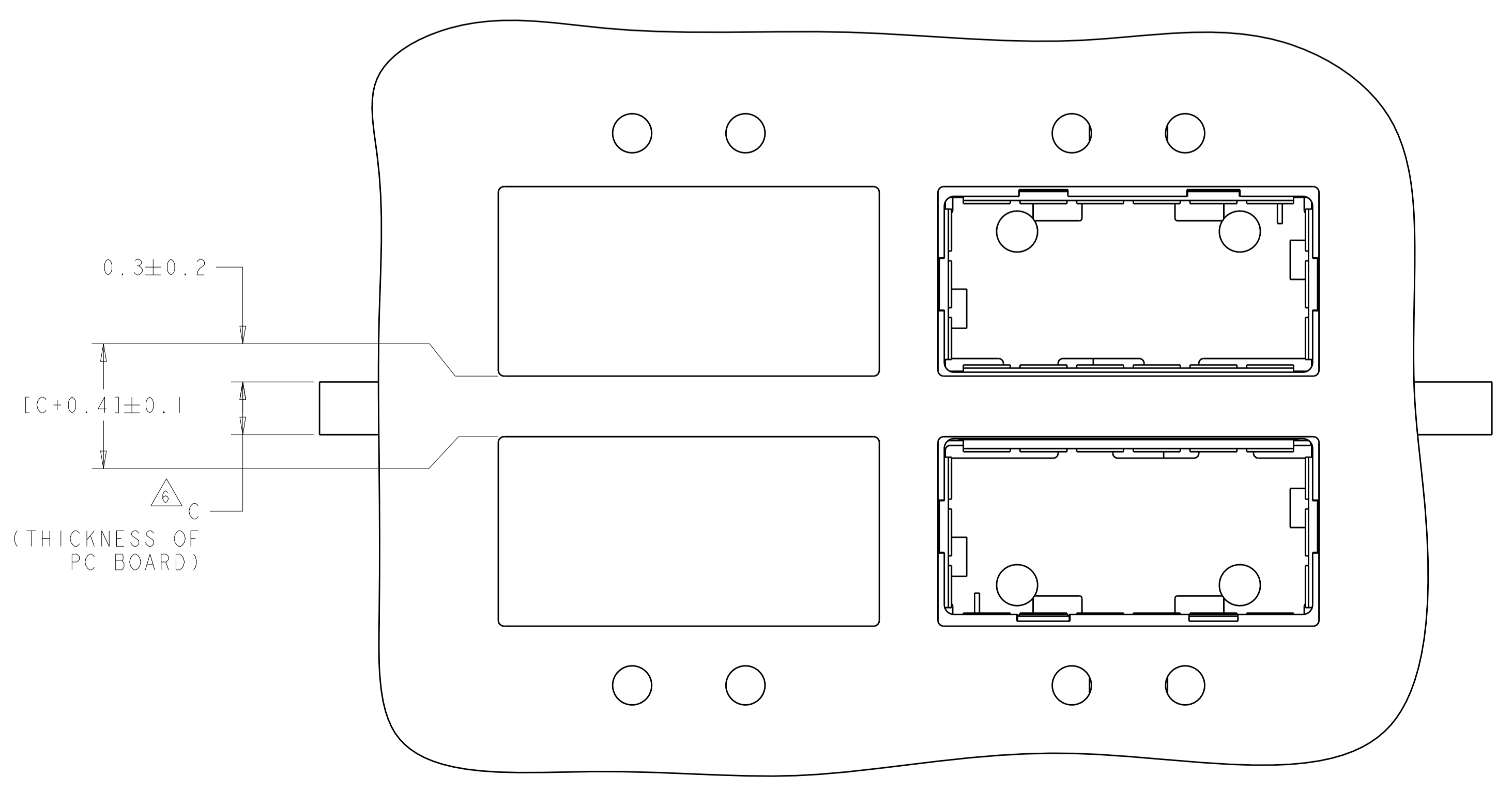
LOC	DIST	REV	DATE	BY	APPD
GP	00				

REVISIONS			
REV	DATE	BY	APPD
-	-	-	-
-	-	-	-



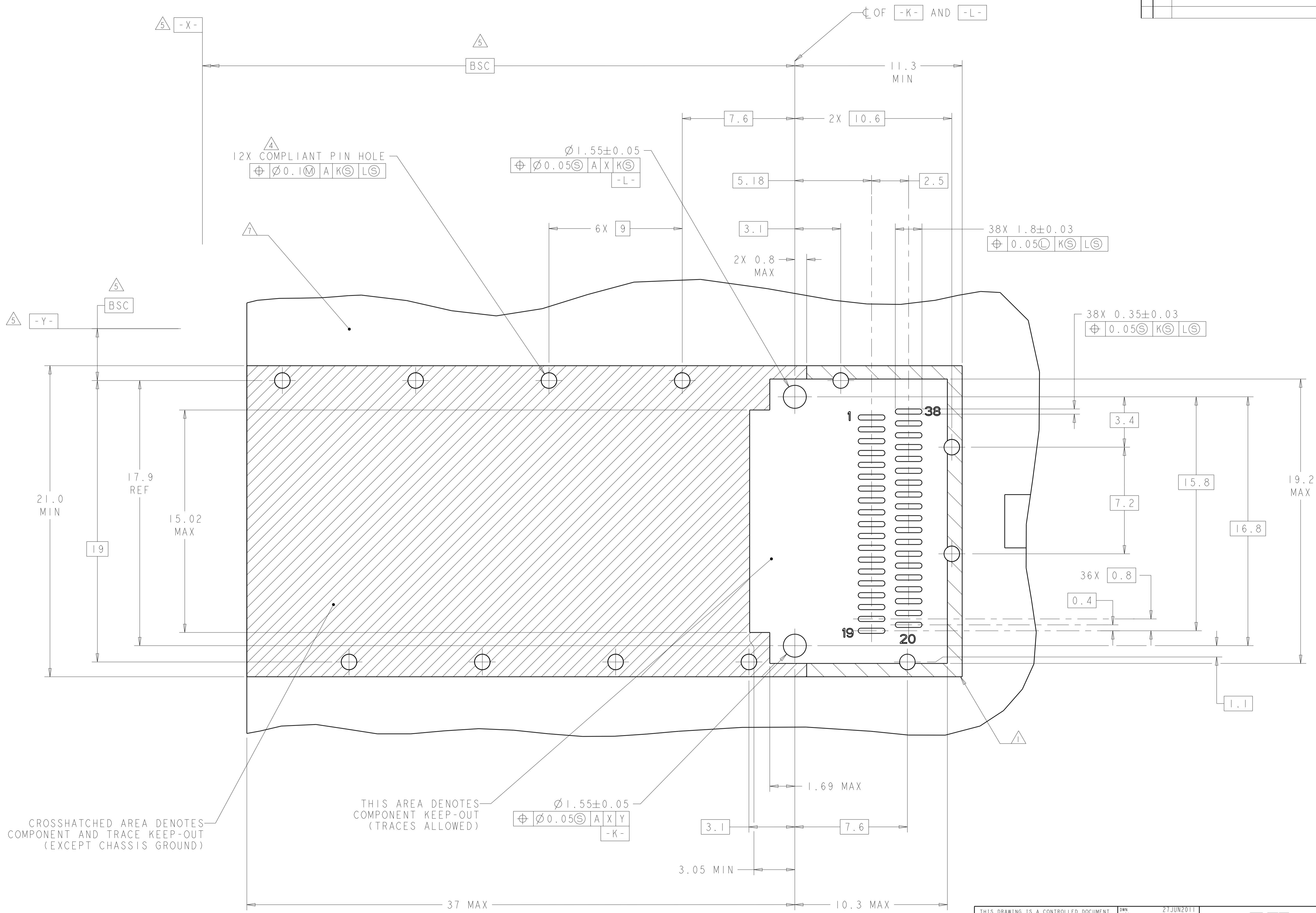
ONE SIDED CONFIGURATION



BELLY TO BELLY CONFIGURATION  
 SIMILAR TO ONE SIDED EXCEPT  
 WHERE NOTED

THIS DRAWING IS A CONTROLLED DOCUMENT.		OWN: 27JUN2011	TE Connectivity
DIMENSIONS: mm		CHK: 28JUN2011	
TOLERANCES UNLESS OTHERWISE SPECIFIED:		DZ: 30JUN2011	
0 PLC ±0.5 1 PLC ±0.13 2 PLC ±0.13 3 PLC ±0.013 4 PLC ±0.001 ANGLES ±0.0001		APVD: CW	
MATERIAL: -		PRODUCT SPEC: 108-2286	NAME: CAGE ASSEMBLY, BEHIND BEZEL, W/ LIGHT PIPE BRACKET, QSFP
FINISH: -		APPLICATION SPEC: 114-13218	SIZE: A1
		WEIGHT: -	CAGE CODE: 00779
		Customer Drawing	DRAWING NO: C=2170111
		SCALE: 5:1	RESTRICTED TO: -
		SHEET: 2 OF 4	REV: 2

LOC	DIST	REV	DATE	BY	APPV
GP	00				
		REVISIONS			
		DESCRIPTION	DATE	BY	APPV
		SEE SHEET 1			



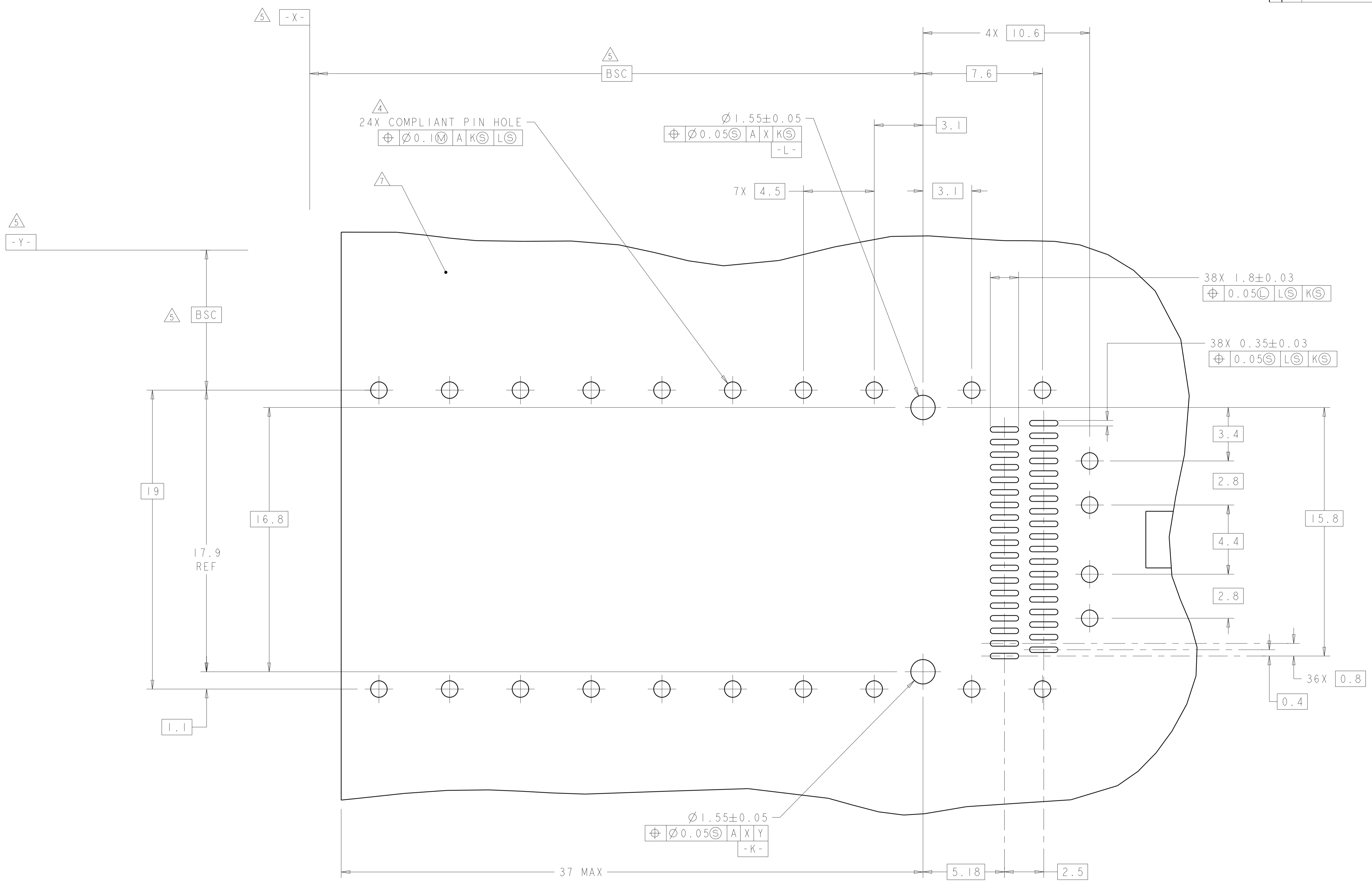
CROSSHATCHED AREA DENOTES COMPONENT AND TRACE KEEP-OUT (EXCEPT CHASSIS GROUND)

THIS AREA DENOTES COMPONENT KEEP-OUT (TRACES ALLOWED)

RECOMMENDED SINGLE-SIDE PC BOARD LAYOUT  
 SCALE 8:1

THIS DRAWING IS A CONTROLLED DOCUMENT.		OWN: 27JUN2011	TE Connectivity
DIMENSIONS: mm		CHK: 28JUN2011	
TOLERANCES UNLESS OTHERWISE SPECIFIED:		APPV: 30JUN2011	NAME: CAGE ASSEMBLY, BEHIND BEZEL, W/ LIGHT PIPE BRACKET, QSFP
0 PLC ±0.5	1 PLC ±0.13	PRODUCT SPEC: 108-2286	SIZE: A100779C=2170111
2 PLC ±0.13	3 PLC ±0.013	APPLICATION SPEC: 114-13218	RESTRICTED TO: -
4 PLC ±0.001	ANGLES ±0.0001	WEIGHT: -	SCALE: 5:1 SHEET 3 OF 4 REV 2
MATERIAL: -	FINISH: -	Customer Drawing	

LOC		DIST		REVISIONS			
GP	00	P	LTN	DESCRIPTION	DATE	DMN	APVD
				SEE SHEET 1			



RECOMMENDED PCB LAYOUT  
 BELLY TO BELLY CONFIGURATION  
 SEE SHEET 3 FOR KEEP OUT AREAS  
 SCALE 8:1

THIS DRAWING IS A CONTROLLED DOCUMENT.		DMN	27JUN2011	<b>STE</b> TE Connectivity
DIMENSIONS:		CHK	28JUN2011	
mm		DZ	30JUN2011	NAME CAGE ASSEMBLY, BEHIND BEZEL, W/ LIGHT PIPE BRACKET, QSFP
TOLERANCES UNLESS OTHERWISE SPECIFIED:		APVD	CW	
0 PLC ±0.5		PRODUCT SPEC		SIZE CAGE CODE DRAWING NO RESTRICTED TO
1 PLC ±0.13		108-2286		
2 PLC ±0.013		APPLICATION SPEC		A100779C=2170111
3 PLC ±0.001		114-13218		
4 PLC ±0.0001		WEIGHT		SCALE 5:1 SHEET 4 OF 4 REV 2
ANGLES ±0.0001		Customer Drawing		
FINISH				