



Chipsmall Limited consists of a professional team with an average of over 10 year of expertise in the distribution of electronic components. Based in Hongkong, we have already established firm and mutual-benefit business relationships with customers from,Europe,America and south Asia,supplying obsolete and hard-to-find components to meet their specific needs.

With the principle of “Quality Parts,Customers Priority,Honest Operation,and Considerate Service”,our business mainly focus on the distribution of electronic components. Line cards we deal with include Microchip,ALPS,ROHM,Xilinx,Pulse,ON,Everlight and Freescale. Main products comprise IC,Modules,Potentiometer,IC Socket,Relay,Connector.Our parts cover such applications as commercial,industrial, and automotives areas.

We are looking forward to setting up business relationship with you and hope to provide you with the best service and solution. Let us make a better world for our industry!



Contact us

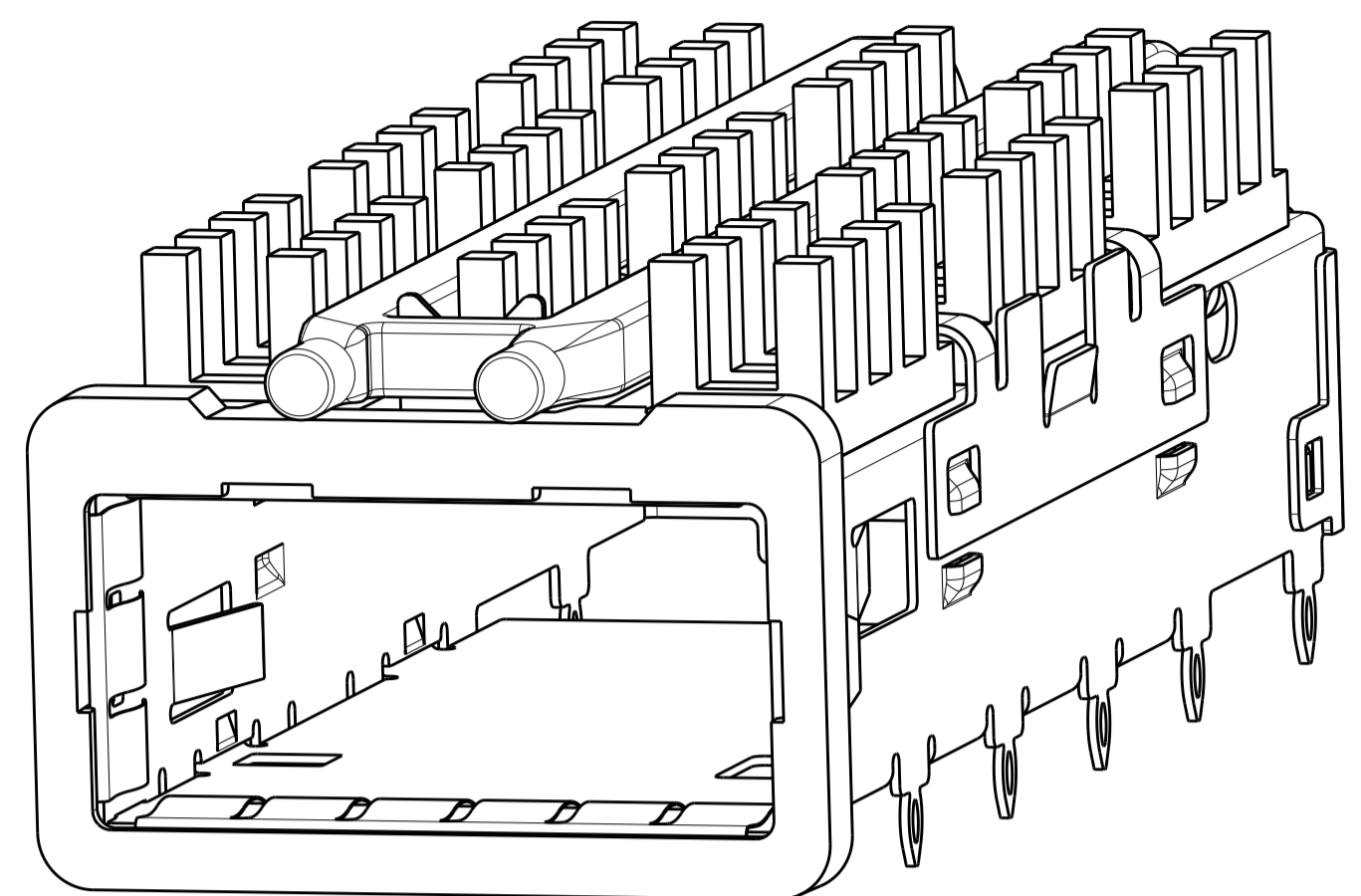
Tel: +86-755-8981 8866 Fax: +86-755-8427 6832

Email & Skype: info@chipsmall.com Web: www.chipsmall.com

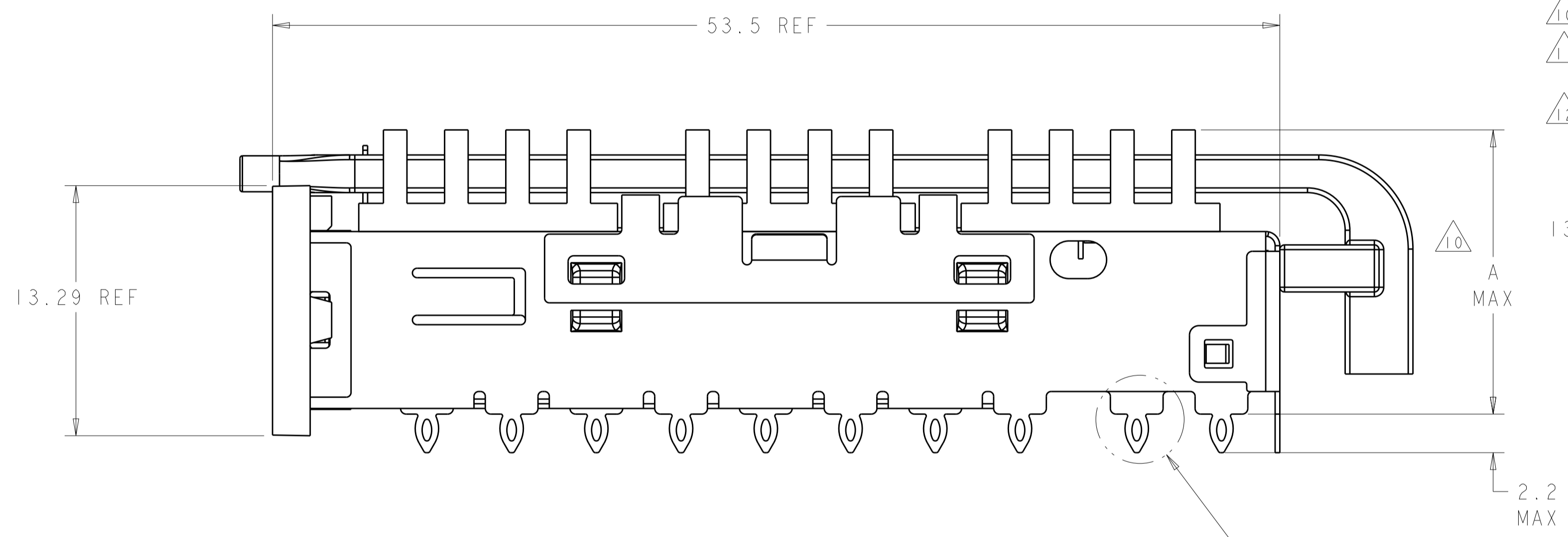
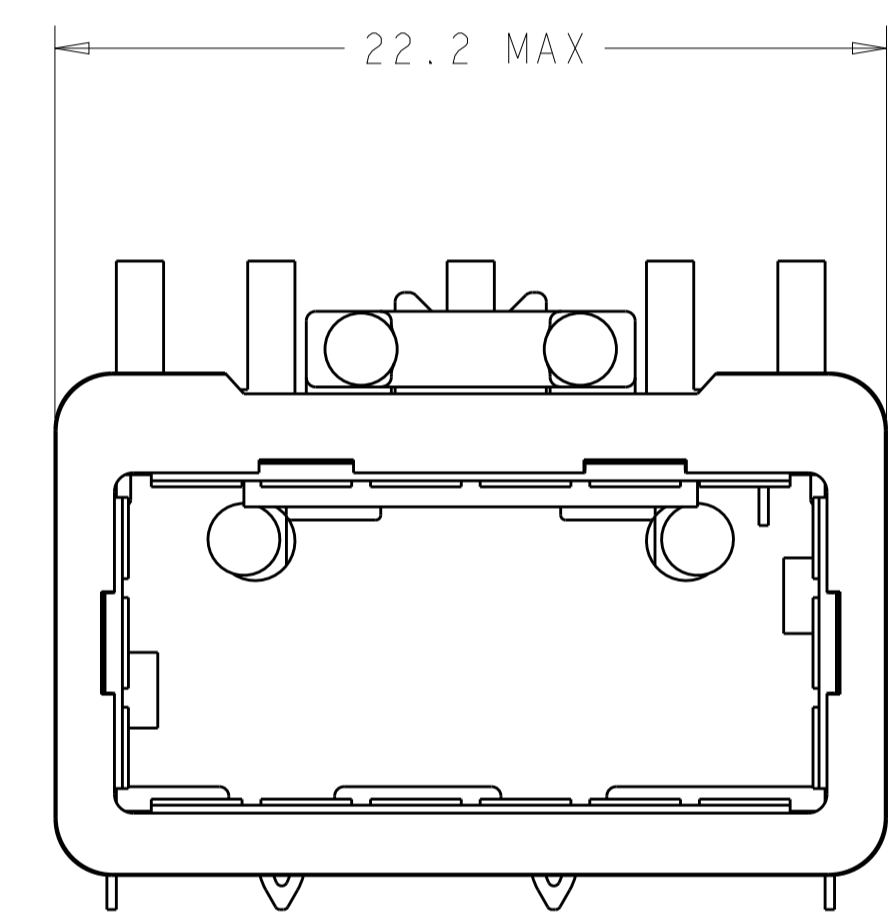
Address: A1208, Overseas Decoration Building, #122 Zhenhua RD., Futian, Shenzhen, China



LOC	DIST	REVISIONS					
GP	00	P	LTN	DESCRIPTION	DATE	DMN	APVD
		2		PRELIMINARY	20JUN2011	AL	CW
		3		REVISED PER ECO-14-018993	3MAR2015	RG	MC

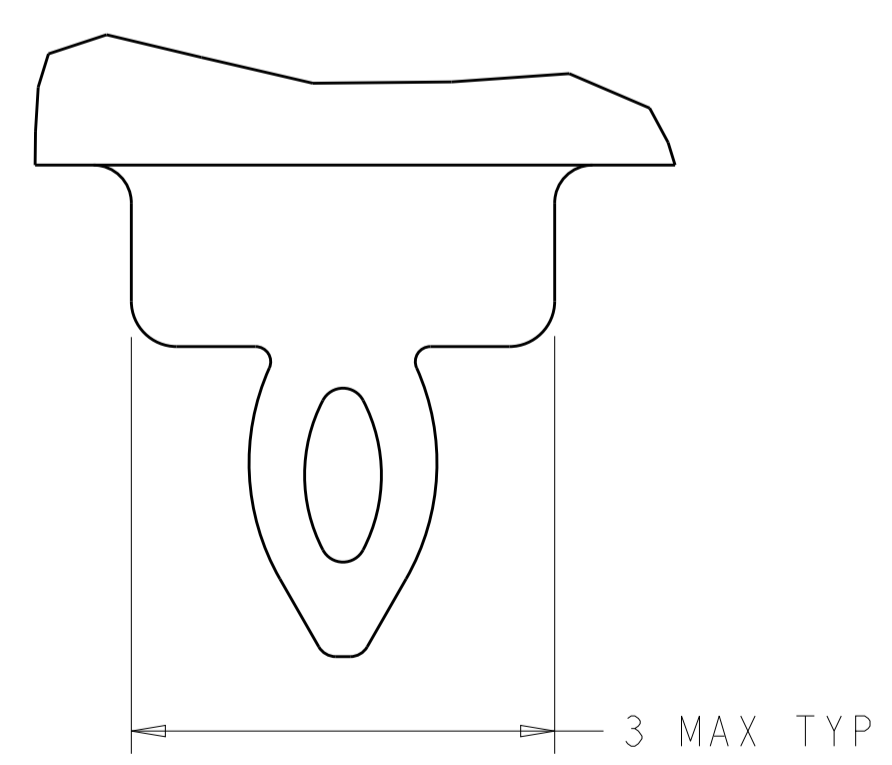


- △ CAGE MATERIAL: NICKEL SILVER, 0.25 THICK
 HEAT SINK MATERIAL: ALUMINUM
 HEAT SINK CLIP MATERIAL: STAINLESS STEEL
 EMI SPRING MATERIAL: COPPER ALLOY
 FRONT FLANGE MATERIAL: ZINC ALLOY
- △ MINIMUM PITCH DIMENSION.
- 3. MATES WITH QSFP MSA COMPATIBLE TRANSCEIVER.
- △ REFERENCE APPLICATION SPEC 114-13218 FOR RECOMMENDED DRILL HOLE DIAMETER AND PLATING THICKNESS.
- △ DATUMS AND BASIC DIMENSIONS ESTABLISHED BY CUSTOMER.
- △ DIMENSION C IS THE NOMINAL THICKNESS OF CUSTOMER SUPPLIED PC BOARD.
 SINGLE SIDED PC BOARD MINIMUM THICKNESS: 1.45
 DOUBLE SIDED PC BOARD MINIMUM THICKNESS: 2.7.
- △ HEAT SINK AND CLIP AND LIGHT PIPE SHIPPED ASSEMBLED TO CAGE ASSEMBLY CAGE ASSEMBLY MAY BE PRESSED INTO THE PCB AS SHIPPED.
- △ DATUM -A- IS TOP SURFACE OF HOST BOARD.
- △ SURFACE TRACES PERMITTED WITHIN THIS AREA EXCEPT WHERE CAGE STANDOFFS, SHOWN IN DETAIL J, CONTACT PC BOARD.
- △ DIMENSION APPLIES WITH MODULE INSTALLED IN THE CAGE.
- △ DATE CODE (YYWW) MARKED ON TOP OF CAGE AND CONCEALED BY HEAT SINK APPLIES TO CAGE ASSEMBLY ONLY.
- △ EMI SPRING FINISH: 2um MIN TIN.
 FRONT FLANGE FINISH: 3um MIN TIN OVER 1.27um MIN NICKEL OVER 5.08um MIN COPPER.
 HEAT SINK FINISH: 0.076um MIN NICKEL PLATING.
- 13. PRODUCT HAS NOT COMPLETED QUALIFICATION TESTING.

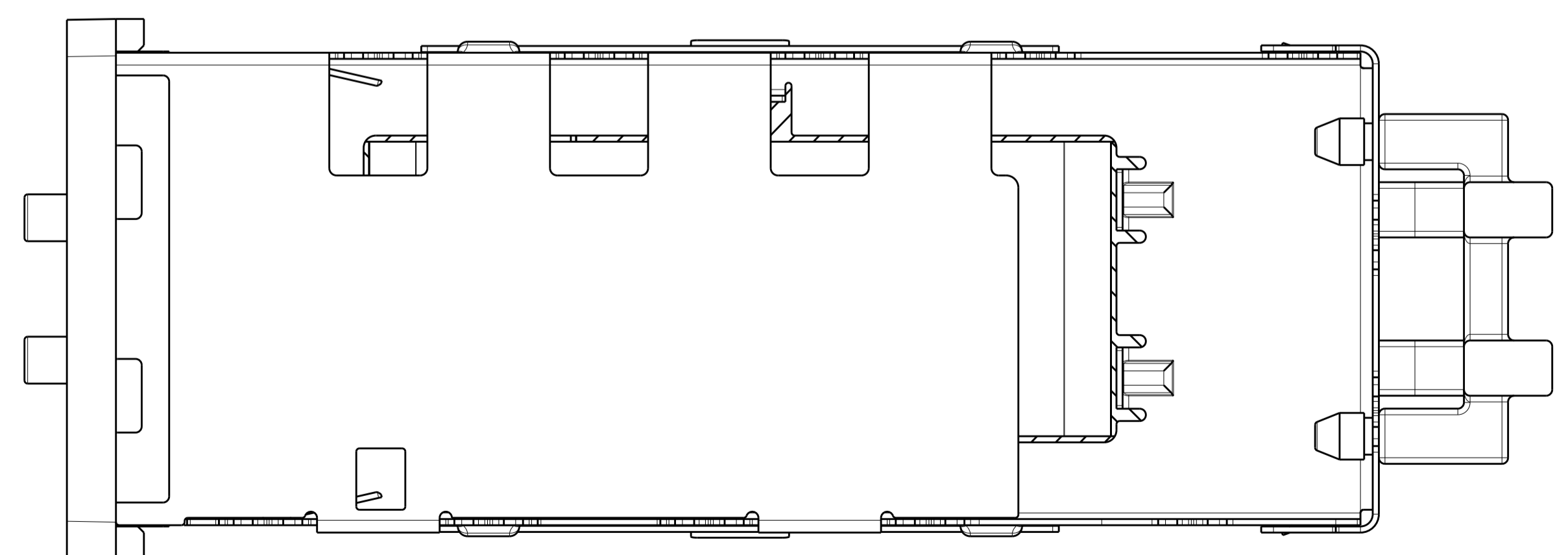


2170112-2 AS SHOWN

SEE DETAIL J



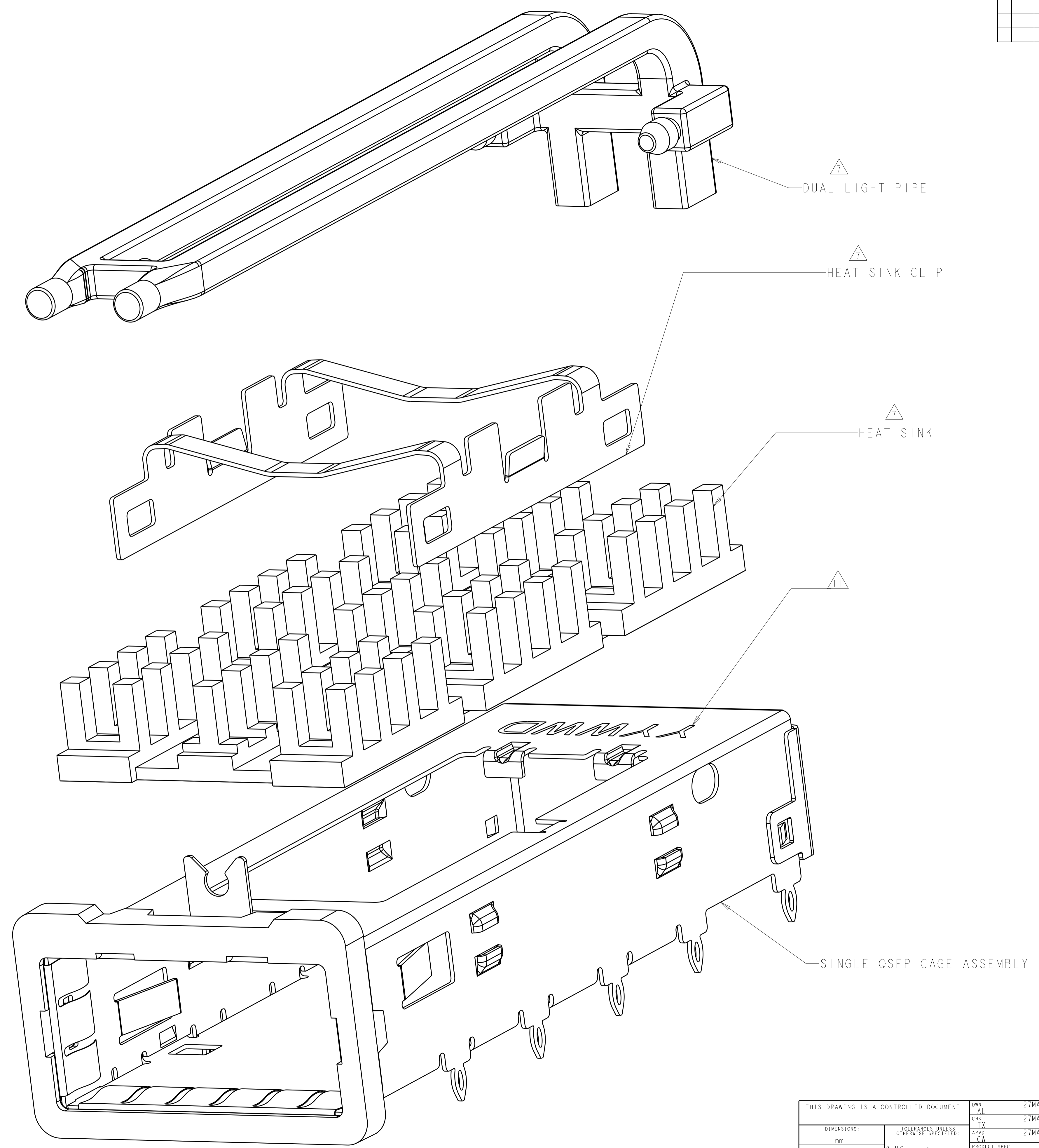
DETAIL J
 SCALE 20:1



23.0	NETWORKING HEAT SINK	2170112-3
16.0	SAN HEAT SINK (SHOWN)	2170112-2
13.7	PCI HEAT SINK	2170112-1
A	DESCRIPTION	PART NUMBER

THIS DRAWING IS A CONTROLLED DOCUMENT.		DMN: AL 27MAY2011	STE TE Connectivity	
DIMENSIONS: mm		CHK: TX 27MAY2011		
TOLERANCES UNLESS OTHERWISE SPECIFIED:		APVD: CW 27MAY2011	NAME: 1X1 CAGE ASSEMBLY, BEHIND BEZEL WITH HEAT SINK AND DUAL LIGHT PIPE QSFP	
0 PLC ±0.5	1 PLC ±0.13	PRODUCT SPEC 108-2286	SIZE: CAGE CODE DRAWING NO. RESTRICTED TO	
2 PLC ±0.013	3 PLC ±0.001	APPLICATION SPEC 114-13218	A100779C=2170112	
4 PLC ±0.0001	ANGLES ±0.1	WEIGHT	Customer Drawing	
FINISH		SCALE 5:1 SHEET 1 OF 5 REV 3		

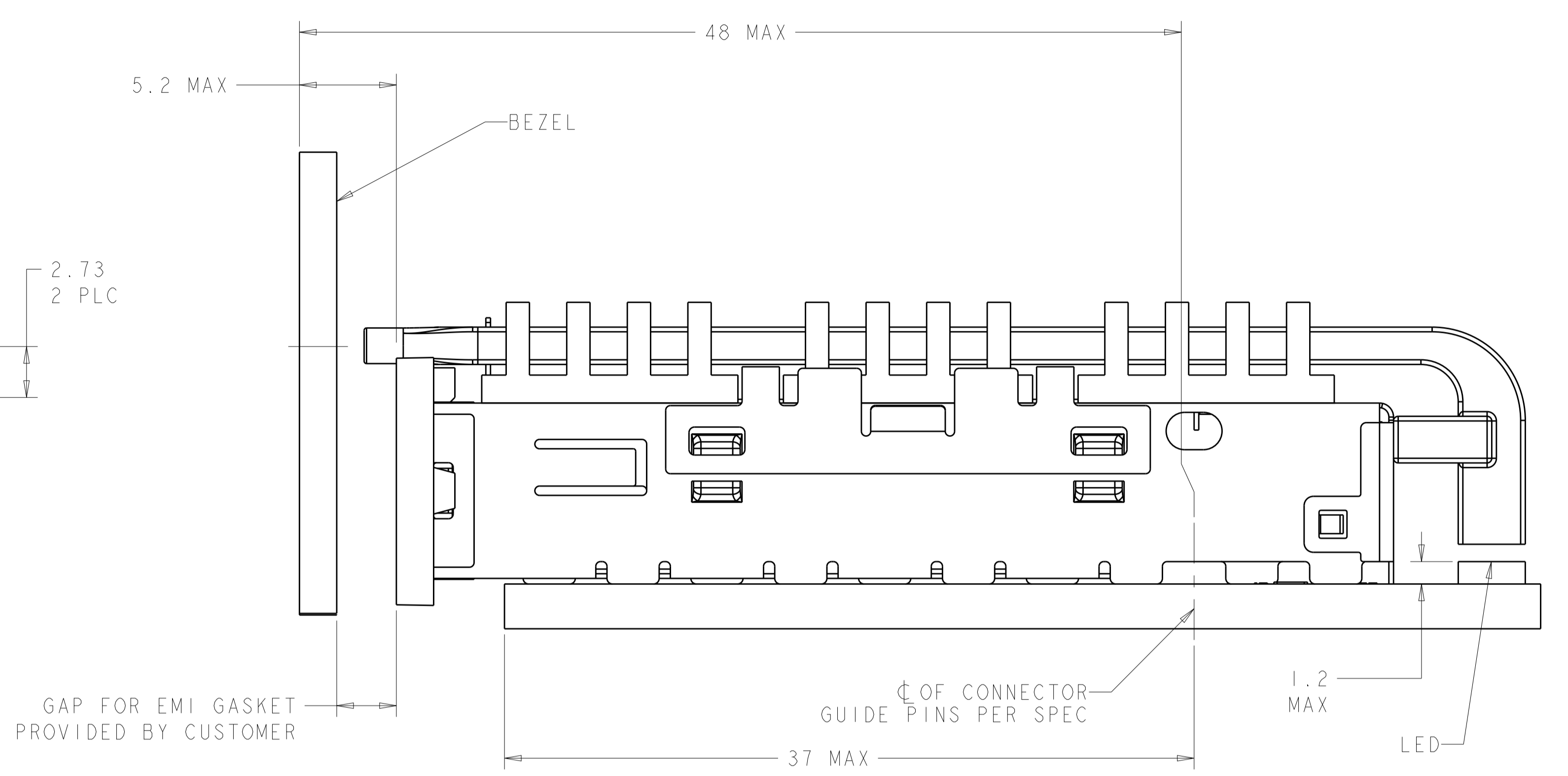
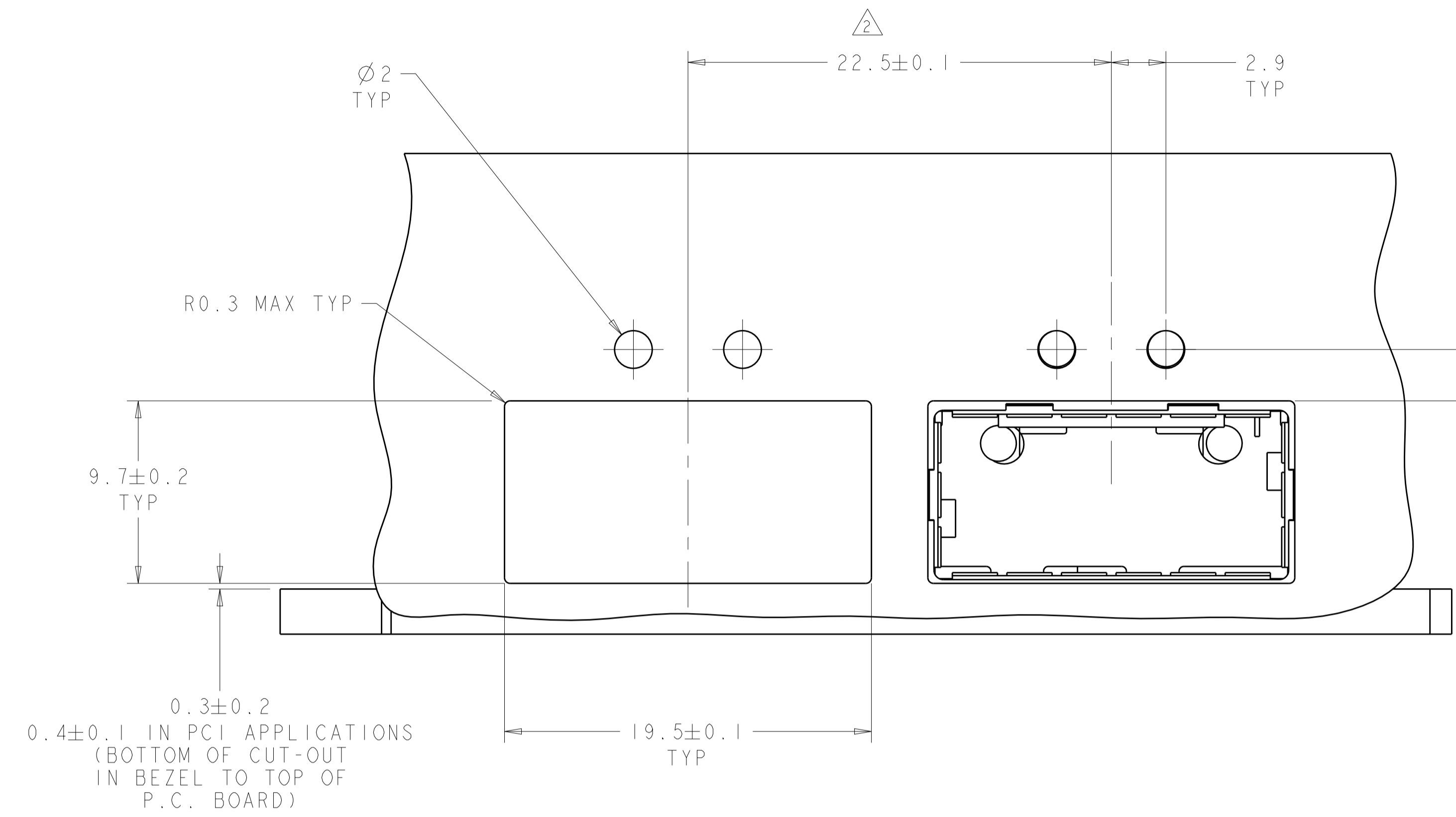
LOC		DIST		REVISONS			
GP	00	P	LYR	DESCRIPTION	DATE	DWN	APVD
		-		SEE SHEET 1			



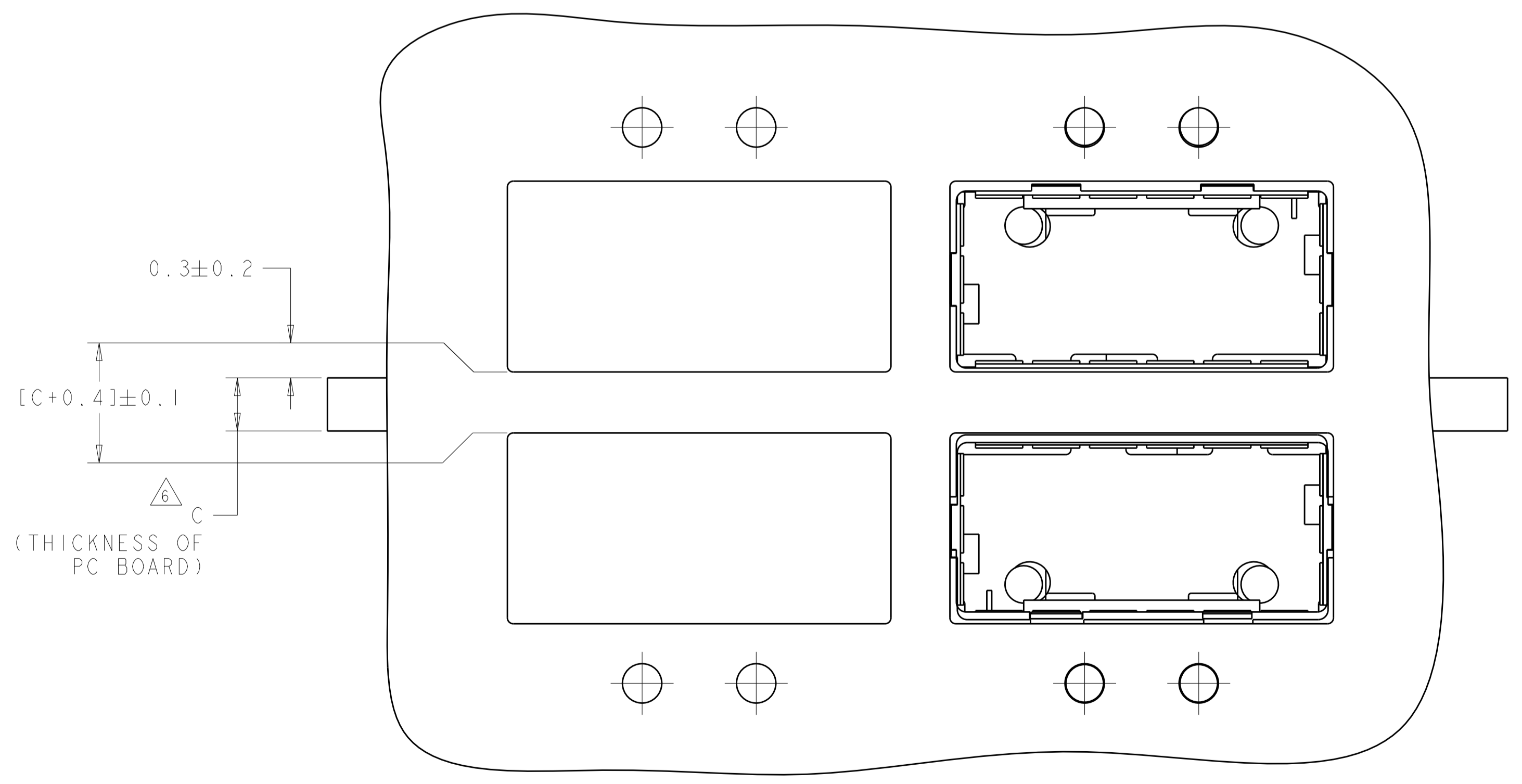
EXPLODED VIEW
 SCALE 8:1

THIS DRAWING IS A CONTROLLED DOCUMENT.		OWN: AL	27MAY2011	STE TE Connectivity
		CHK: TX	27MAY2011	
DIMENSIONS:		TOLERANCES UNLESS OTHERWISE SPECIFIED:		NAME: 1XI CAGE ASSEMBLY, BEHIND BEZEL WITH HEAT SINK AND DUAL LIGHT PIPE QSPF
mm	0 PLC ±0.5	1 PLC ±0.13	2 PLC ±0.013	
MATERIAL:		FINISH:		SIZE: CAGE CODE DRAWING NO. RESTRICTED TO
				A100779C=2170112
		WEIGHT: 114-13218		Customer Drawing
		SCALE: 5:1		SHEET 2 OF 5
				REV 3

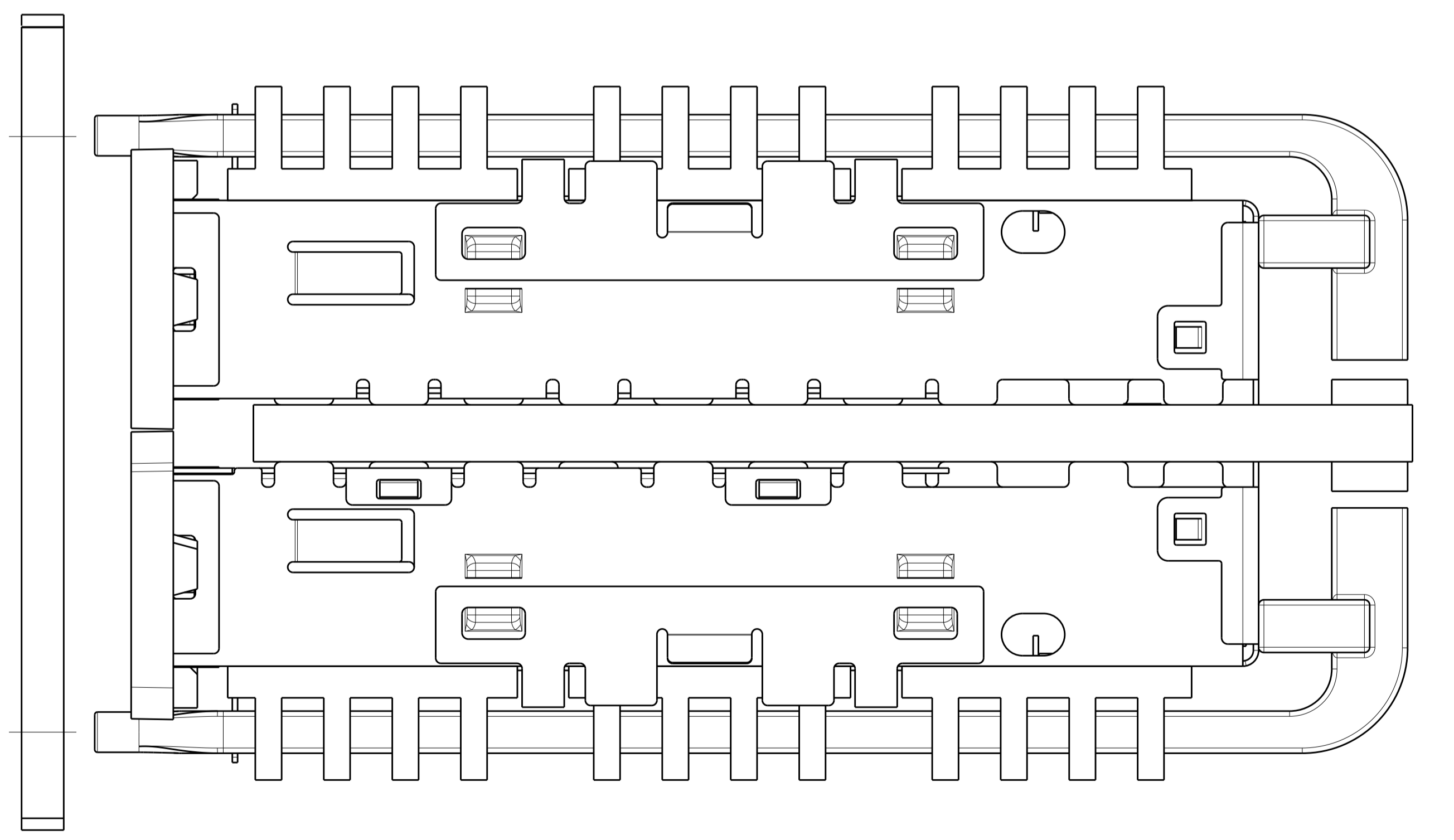
LOC	DIST	REV	DATE	BY	APPD
GP	00				
REVISIONS					



ONE SIDED CONFIGURATION

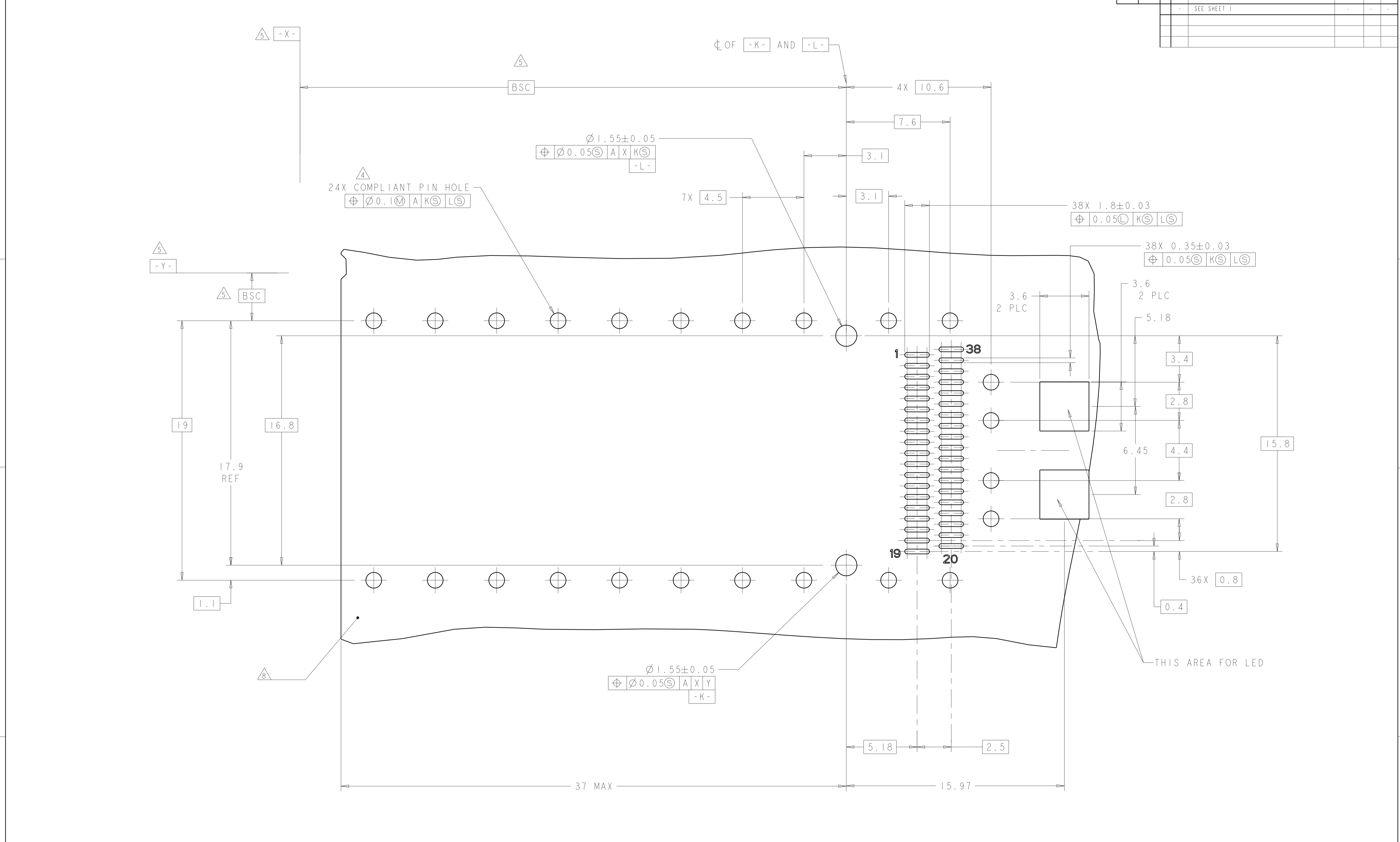


BELLY TO BELLY CONFIGURATION
SIMILAR TO ONE SIDED EXCEPT
WHERE NOTED



THIS DRAWING IS A CONTROLLED DOCUMENT.		OWN: JAL	27MAY2011	STE TE Connectivity
DIMENSIONS: mm		CHK: TX	27MAY2011	
TOLERANCES UNLESS OTHERWISE SPECIFIED:		APPD: CW	27MAY2011	NAME: 1XI CAGE ASSEMBLY, BEHIND BEZEL WITH HEAT SINK AND DUAL LIGHT PIPE QSFP
0 PLC ±0.5		PRODUCT SPEC	108-2286	
1 PLC ±0.13		APPLICATION SPEC	114-13218	SIZE: CAGE CODE DRAWING NO
2 PLC ±0.013		WEIGHT	-	RESTRICTED TO
3 PLC ±0.001		Customer Drawing	SCALE: 5:1	SHEET 3 OF 5
4 PLC ±0.0001				REV 3
ANGLES ±0.0001				
FINISH				

LOC		DIST		REVISONS			
P	LTN	DESCRIPTION	DATE	DMN	APVD		
GP	00	SEE SHEET 1					



RECOMMENDED PCB LAYOUT
 BELLY TO BELLY CONFIGURATION
 SEE SHEET 4 FOR KEEP OUT AREAS
 SCALE 8:1

THIS DRAWING IS A CONTROLLED DOCUMENT.		DMN	27MAY2011	STE TE Connectivity
		CHK	27MAY2011	
DIMENSIONS:		APVD	27MAY2011	NAME 1X1 CAGE ASSEMBLY, BEHIND BEZEL WITH HEAT SINK AND DUAL LIGHT PIPE QSFP
mm		PRODUCT SPEC	108-2286	
TOLERANCES UNLESS OTHERWISE SPECIFIED:		APPLICATION SPEC	114-13218	SIZE CAGE CODE DRAWING NO
0 PLC ±0.5		WEIGHT		RESTRICTED TO
1 PLC ±0.13		Customer Drawing		A100779C=2170112
2 PLC ±0.13		SCALE	4:1	SHEET 5 OF 5
3 PLC ±0.013				REV 3
4 PLC ±0.0001				
ANGLES ±0.0001				
FINISH				