



Chipsmall Limited consists of a professional team with an average of over 10 year of expertise in the distribution of electronic components. Based in Hongkong, we have already established firm and mutual-benefit business relationships with customers from,Europe,America and south Asia,supplying obsolete and hard-to-find components to meet their specific needs.

With the principle of “Quality Parts,Customers Priority,Honest Operation,and Considerate Service”,our business mainly focus on the distribution of electronic components. Line cards we deal with include Microchip,ALPS,ROHM,Xilinx,Pulse,ON,Everlight and Freescale. Main products comprise IC,Modules,Potentiometer,IC Socket,Relay,Connector.Our parts cover such applications as commercial,industrial, and automotives areas.

We are looking forward to setting up business relationship with you and hope to provide you with the best service and solution. Let us make a better world for our industry!



## Contact us

Tel: +86-755-8981 8866 Fax: +86-755-8427 6832

Email & Skype: info@chipsmall.com Web: www.chipsmall.com

Address: A1208, Overseas Decoration Building, #122 Zhenhua RD., Futian, Shenzhen, China



4

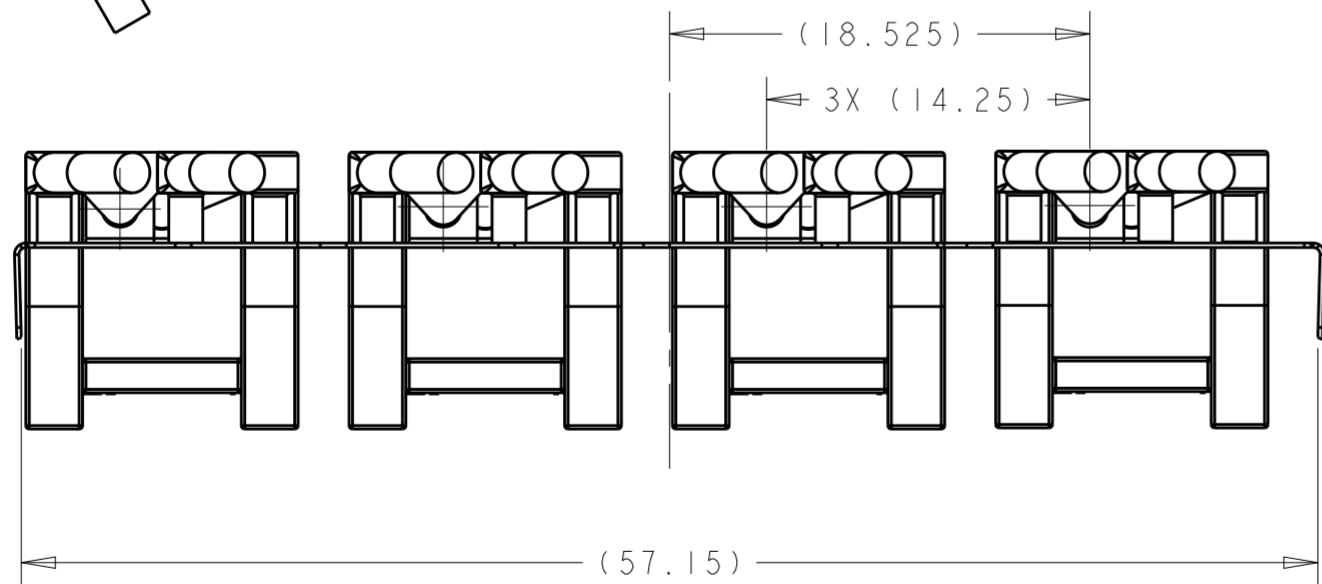
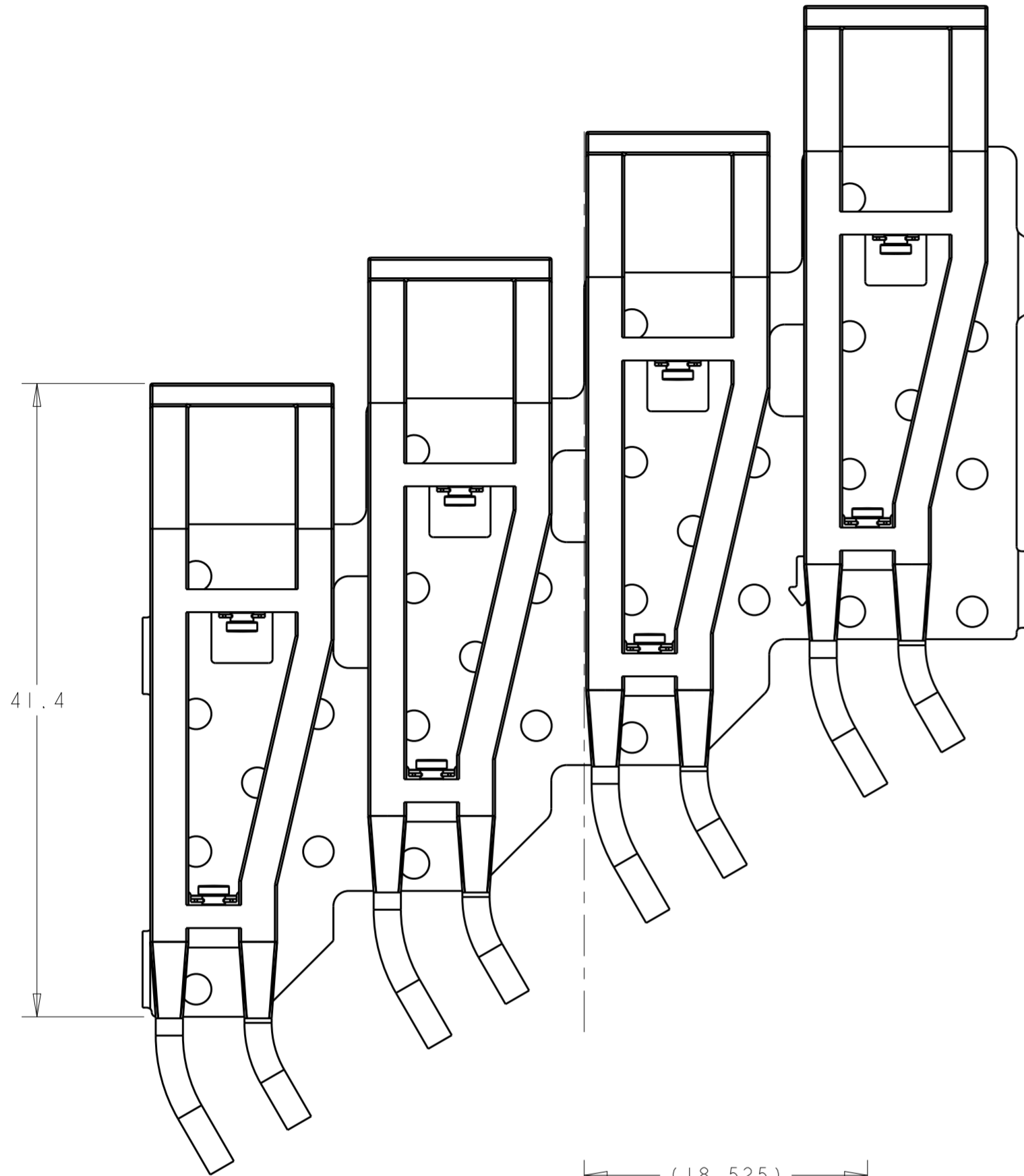
3

2

1

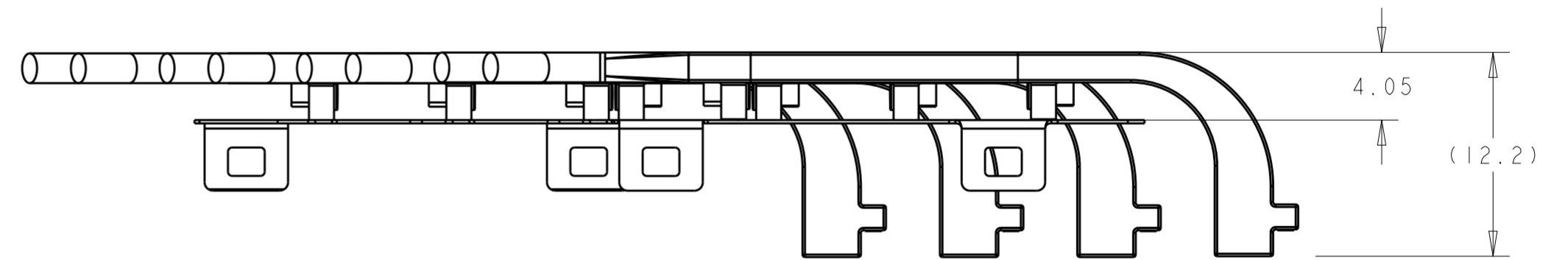
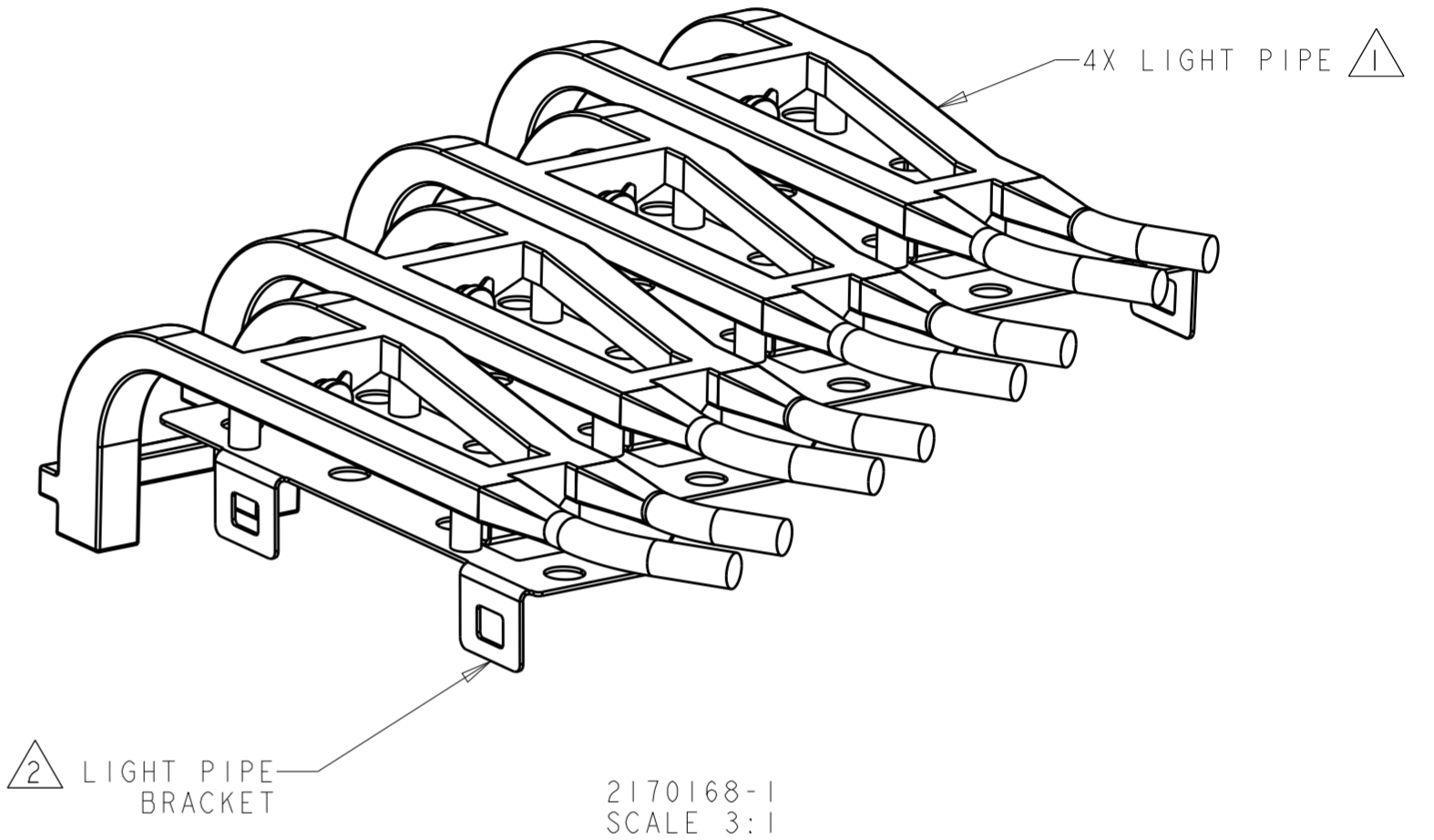
THIS DRAWING IS UNPUBLISHED. RELEASED FOR PUBLICATION 20  
 © COPYRIGHT 20 BY - ALL RIGHTS RESERVED.

LOC	DIST	REVISIONS					
GP	00	P	LTR	DESCRIPTION	DATE	DWN	APVD
		A		RELEASED	25FEB2016	JW	SH



SCALE 3:1

- ① POLYCARBONATE, CLEAR, UL 94V-2.
- ② STAINLESS STEEL PER ASTM A 666



2170168-1

PART NUMBER

THIS DRAWING IS A CONTROLLED DOCUMENT.		DWN 08NOV2011 JASON YANG	<b>STE</b> TE Connectivity	
DIMENSIONS: mm		CHK 08NOV2011 ALEX CAI		
TOLERANCES UNLESS OTHERWISE SPECIFIED:		APVD 08NOV2011 ALEX CAI	NAME 1X4 LIGHT PIPE ASSEMBLY SFP/SFP+	
0 PLC ±0.2		PRODUCT SPEC 108-2364	SIZE CAGE CODE DRAWING NO RESTRICTED TO	
1 PLC ±0.2		APPLICATION SPEC -	A200779 C-2170168	
2 PLC ±0.2		WEIGHT -	SCALE 4:1 SHEET 1 OF 1 REV A	
3 PLC ±0.2		CUSTOMER DRAWING		
4 PLC ±				
ANGLES ±				
FINISH				