



Chipsmall Limited consists of a professional team with an average of over 10 year of expertise in the distribution of electronic components. Based in Hongkong, we have already established firm and mutual-benefit business relationships with customers from,Europe,America and south Asia,supplying obsolete and hard-to-find components to meet their specific needs.

With the principle of “Quality Parts,Customers Priority,Honest Operation,and Considerate Service”,our business mainly focus on the distribution of electronic components. Line cards we deal with include Microchip,ALPS,ROHM,Xilinx,Pulse,ON,Everlight and Freescale. Main products comprise IC,Modules,Potentiometer,IC Socket,Relay,Connector.Our parts cover such applications as commercial,industrial, and automotives areas.

We are looking forward to setting up business relationship with you and hope to provide you with the best service and solution. Let us make a better world for our industry!



Contact us

Tel: +86-755-8981 8866 Fax: +86-755-8427 6832

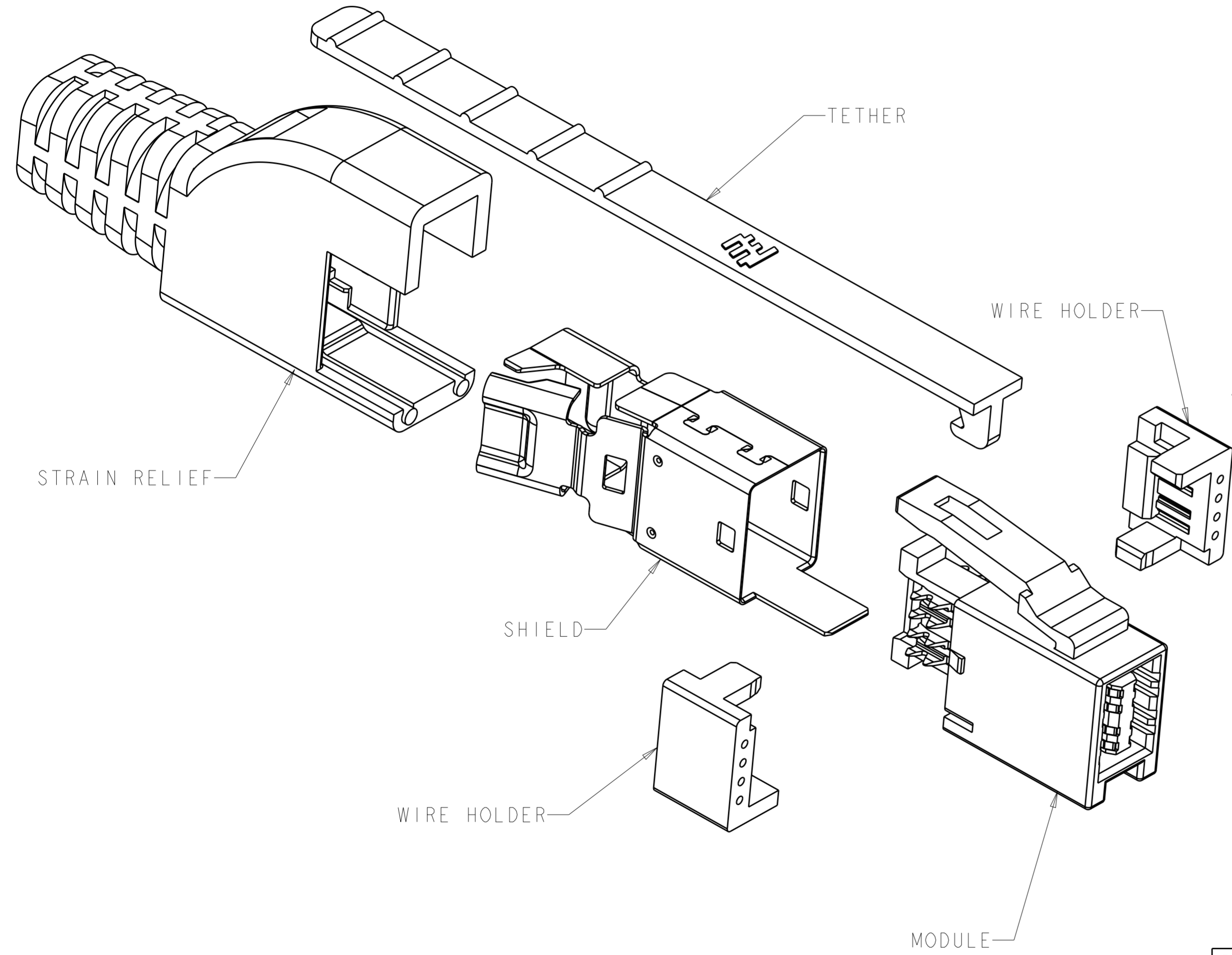
Email & Skype: info@chipsmall.com Web: www.chipsmall.com

Address: A1208, Overseas Decoration Building, #122 Zhenhua RD., Futian, Shenzhen, China



THIS DRAWING IS UNPUBLISHED. RELEASED FOR PUBLICATION 20
 © COPYRIGHT 20 BY - ALL RIGHTS RESERVED.

REVISIONS				
P	LTR	DESCRIPTION	DATE	APVD
	A	INITIAL RELEASE	22MAR2016	LL SH



- 1. MATERIAL:
 MODULE HOUSING AND COVERS: POLYCARBONATE, CLEAR.
 MODULE CONTACTS: BRASS WITH 0.076µm MIN GOLD OVER 0.68µm PALLADIUM-NICKEL ON MATING INTERFACE OVER 1.27µm MIN NICKEL.
 SHIELD: STAINLESS STEEL, PASSIVATE.
 STRAIN RELIEF: ELASTOMER POLYOLEFIN.
 LIGHTPIPE: POLYCARBONATE, CLEAR.
 TETHER: NYLON 6/6.
- 2. PRODUCT FOR USE WITH QUABBIN CABLE P/N 5400 OR OTHER CAT5e QUALIFIED CABLE WITH THE FOLLOWING MECHANICAL CONSTRAINTS:
 CABLE ONLY WITH FOIL (FTP)
 CENTER CONDUCTOR- 26 AWG STRANDED
 PRIMARY INSULATION DIAMETER 0.89 TO 0.99mm
 MAX JACKET O.D. - 5.60MM
- 3. REFER TO APPLICATION SPECIFICATION 114-13235 FOR COMPLETE ASSEMBLY INSTRUCTIONS
- 4. PRODUCT TO BE TERMINATED USING HAND TOOL P/N 2031734-1
- 5. BULK PACKAGING

5	2170185-1	2170185-2
1	1	2170185-1
QTY PER KIT	MATERIAL	PART NUMBER

THIS DRAWING IS A CONTROLLED DOCUMENT.		DWN 24NOV2011 DAVID SHEN	STE TE Connectivity	
		CHK 24NOV2011 ALEX SHOAL		
		APVD 24NOV2011 MANQIAN WANG	NAME SHIELDED PLUG KIT RJ POINT FIVE	
DIMENSIONS: mm		PRODUCT SPEC 108-60097	SIZE A2	CAGE CODE 00779
TOLERANCES UNLESS OTHERWISE SPECIFIED: 0 PLC ± 1 PLC ± 2 PLC ± 3 PLC ± 4 PLC ± ANGLES ± FINISH		APPLICATION SPEC 114-13235	DRAWING NO C-2170185	RESTRICTED TO -
MATERIAL		WEIGHT -	SCALE 1:1 SHEET 1 OF 2 REV A	
		CUSTOMER DRAWING		

THIS DRAWING IS UNPUBLISHED. RELEASED FOR PUBLICATION 20
 © COPYRIGHT 20 BY - ALL RIGHTS RESERVED.

REVISIONS				
P	LTR	DESCRIPTION	DATE	APVD
-		SEE SHEET 1	-	-

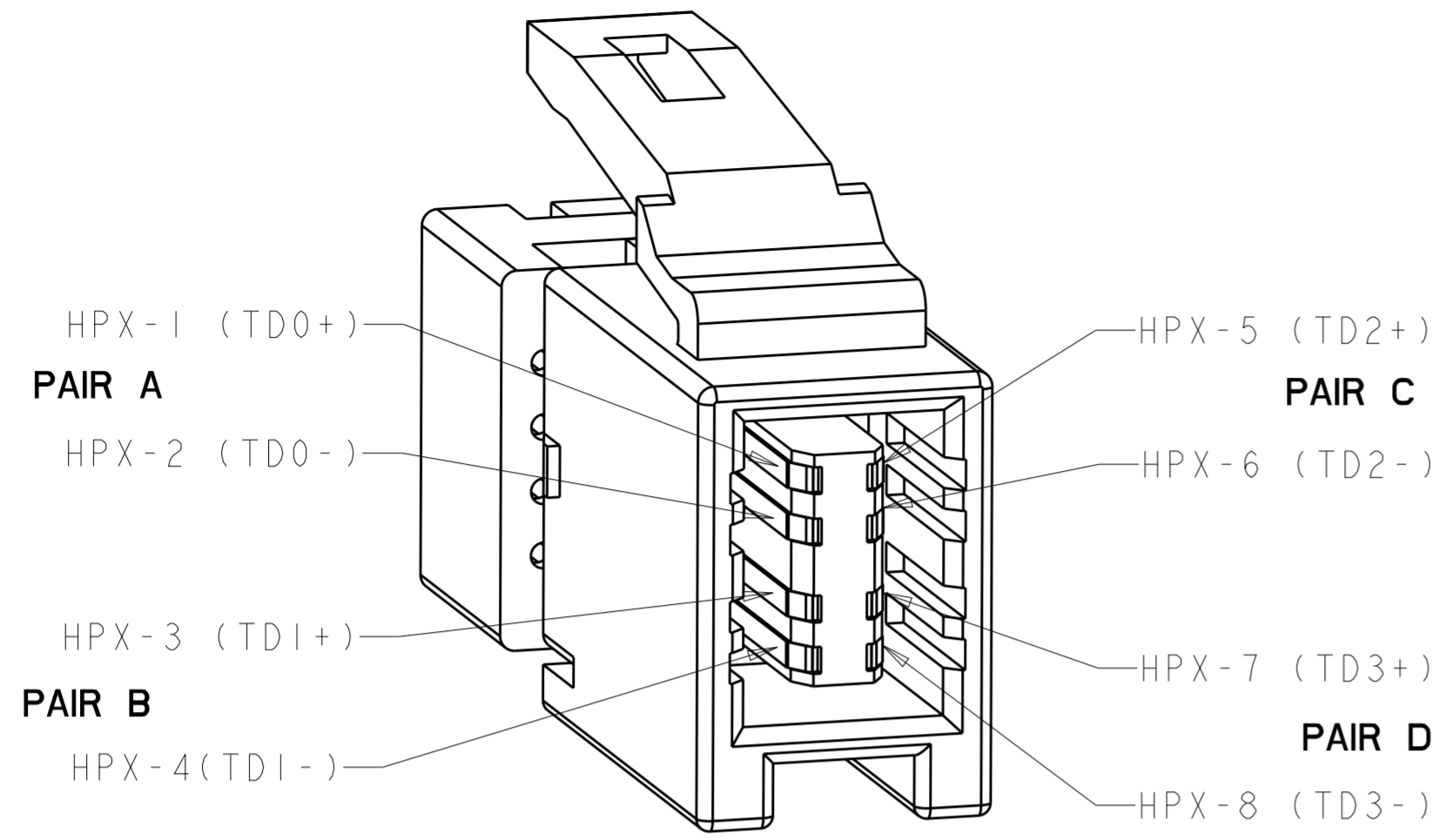


FIGURE 1
 SCALE 8:1

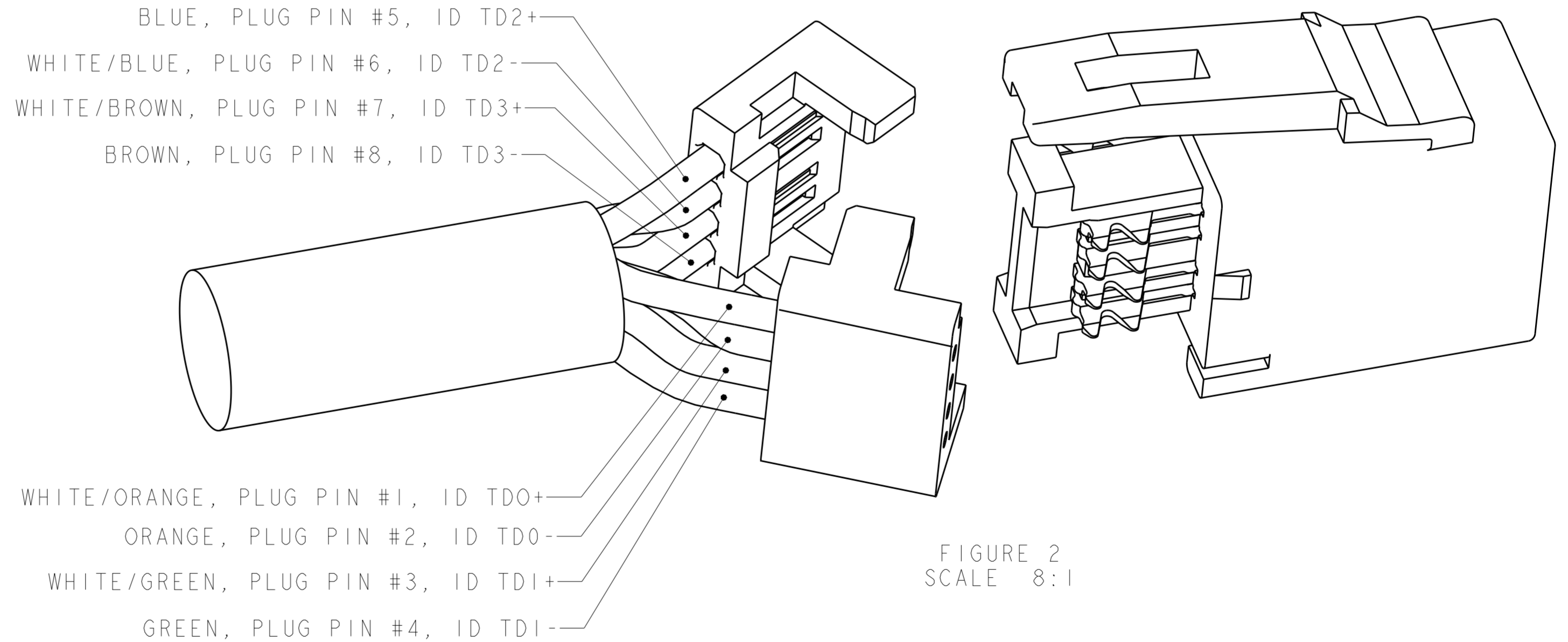


FIGURE 2
 SCALE 8:1

THIS DRAWING IS A CONTROLLED DOCUMENT.		DWN 24NOV2011 DAVID SHEN	STE TE Connectivity	
		CHK 24NOV2011 ALEX SHOAL		
		APVD 24NOV2011 MANLIAN WANG	NAME SHIELDED PLUG KIT RJ POINT FIVE	
DIMENSIONS:		PRODUCT SPEC	SIZE CAGE CODE DRAWING NO RESTRICTED TO	
mm	TOLERANCES UNLESS OTHERWISE SPECIFIED:	108-60097	A200779 C-2170185	
	0 PLC ±	APPLICATION SPEC	SCALE 1:1 SHEET 2 OF 2 REV A	
	1 PLC ±	114-13235		
	2 PLC ±	WEIGHT -		
	3 PLC ±	CUSTOMER DRAWING		
	4 PLC ±			
	ANGLES ±			
	FINISH -			
	-			