



Chipsmall Limited consists of a professional team with an average of over 10 year of expertise in the distribution of electronic components. Based in Hongkong, we have already established firm and mutual-benefit business relationships with customers from,Europe,America and south Asia,supplying obsolete and hard-to-find components to meet their specific needs.

With the principle of “Quality Parts,Customers Priority,Honest Operation,and Considerate Service”,our business mainly focus on the distribution of electronic components. Line cards we deal with include Microchip,ALPS,ROHM,Xilinx,Pulse,ON,Everlight and Freescale. Main products comprise IC,Modules,Potentiometer,IC Socket,Relay,Connector.Our parts cover such applications as commercial,industrial, and automotives areas.

We are looking forward to setting up business relationship with you and hope to provide you with the best service and solution. Let us make a better world for our industry!



## Contact us

Tel: +86-755-8981 8866 Fax: +86-755-8427 6832

Email & Skype: info@chipsmall.com Web: www.chipsmall.com

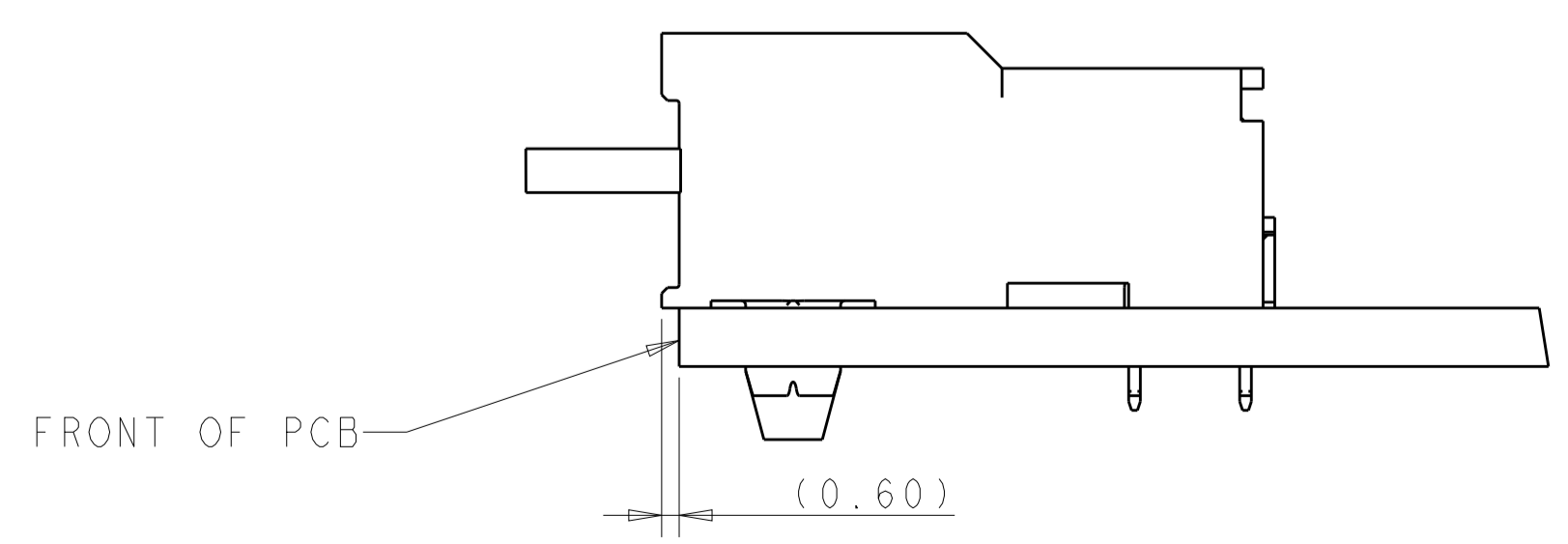
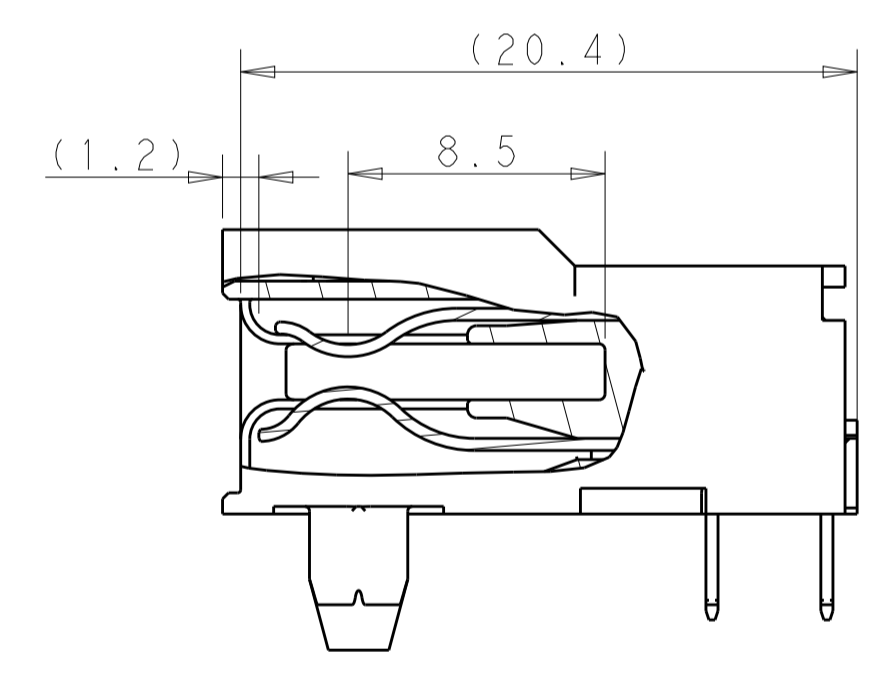
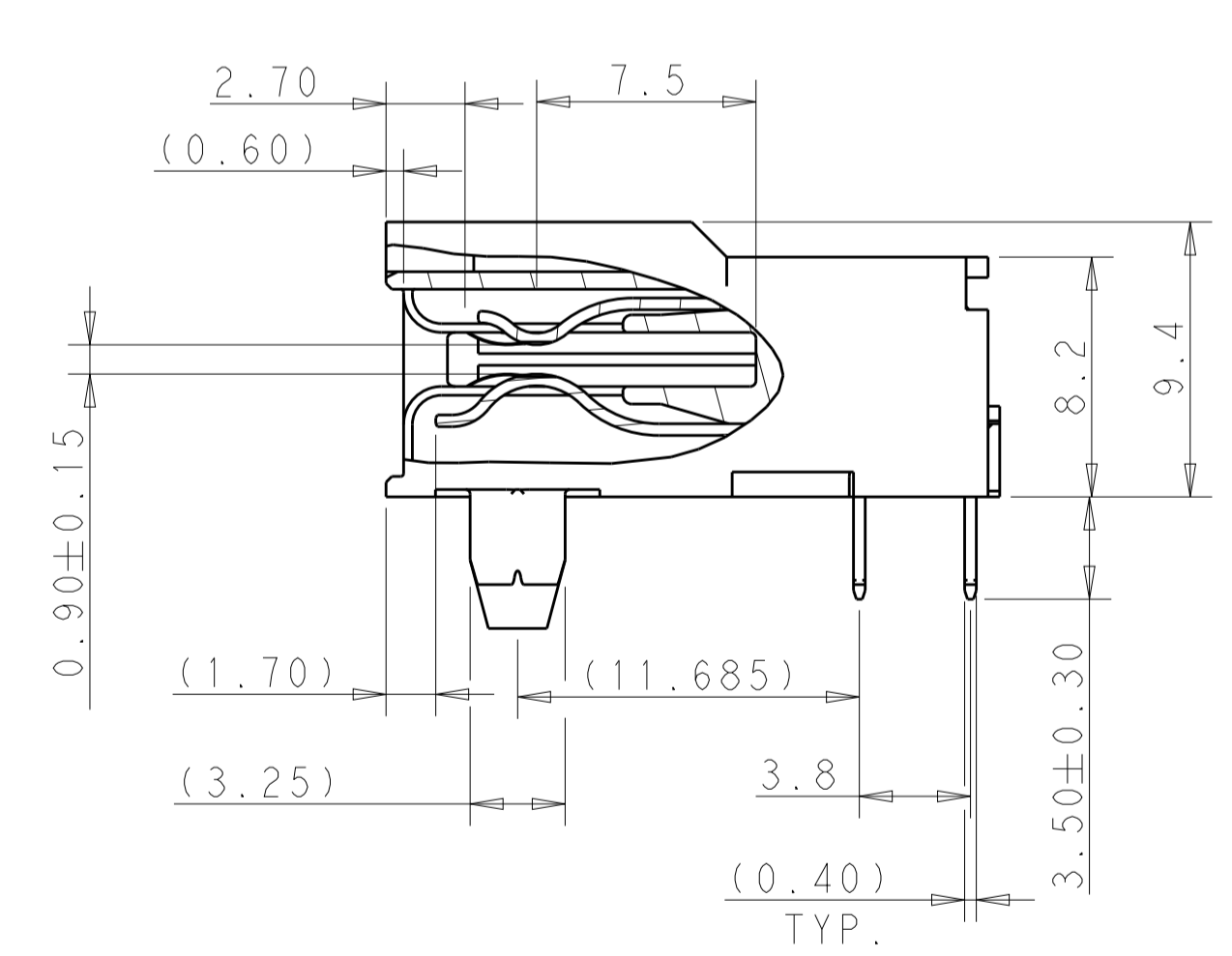
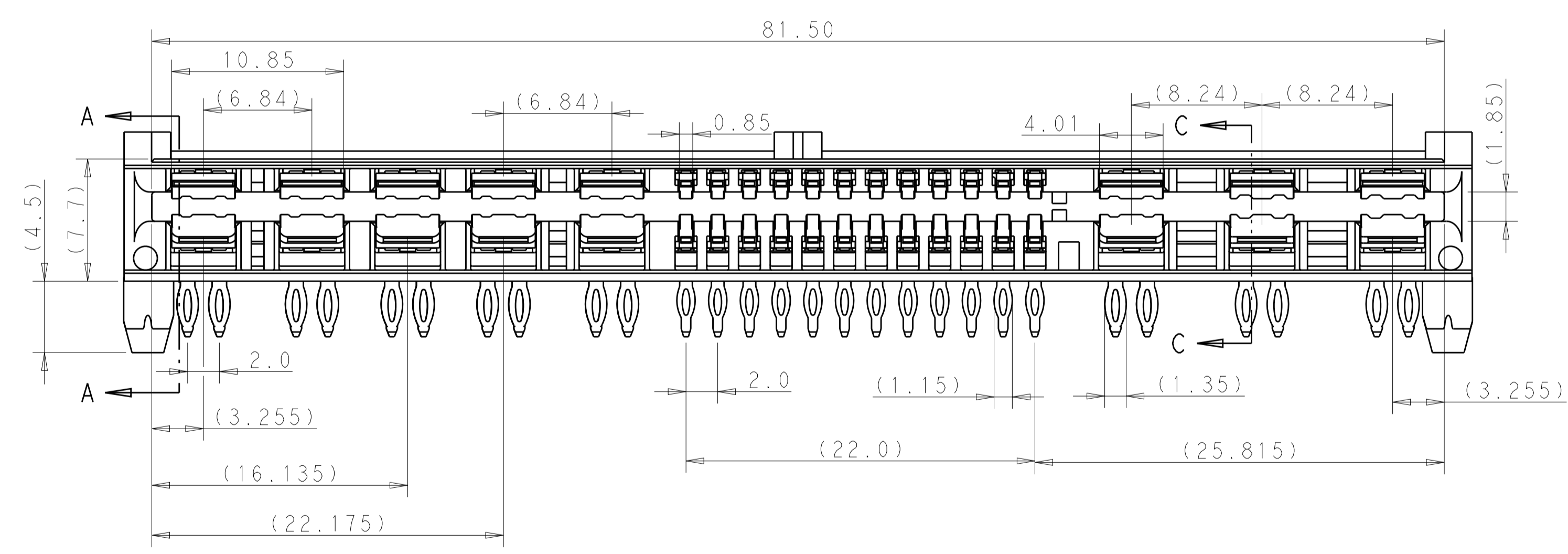
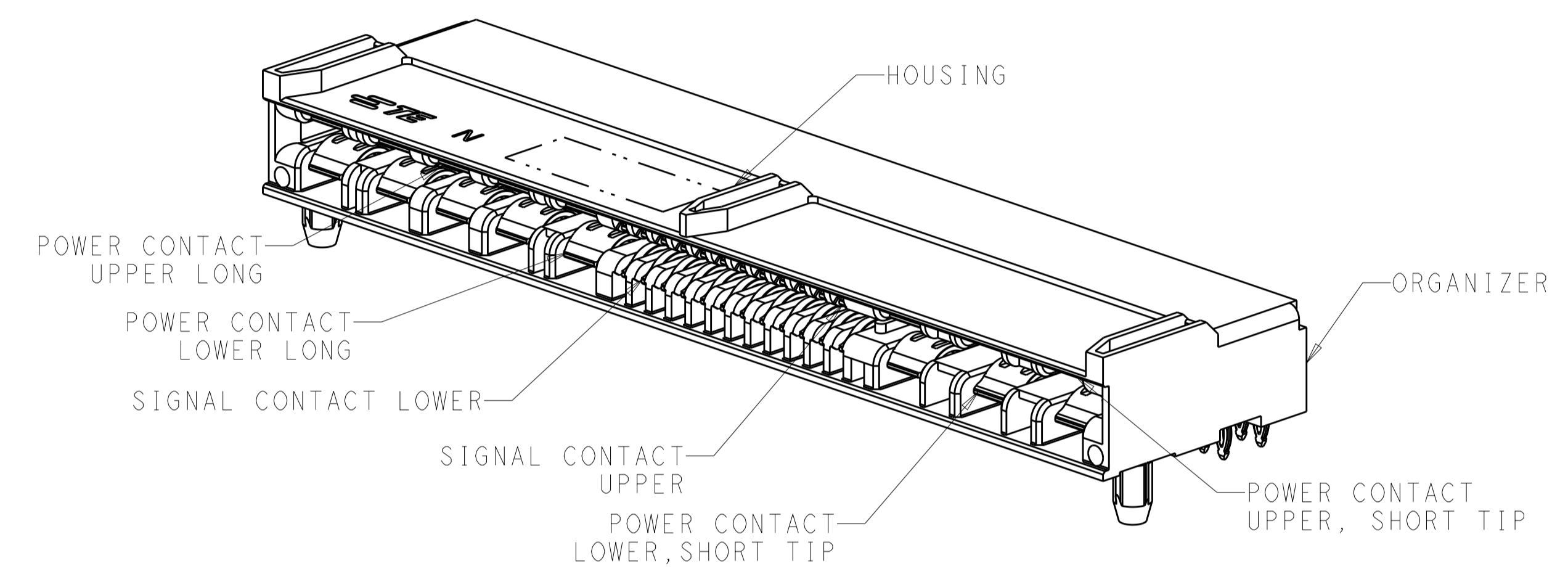
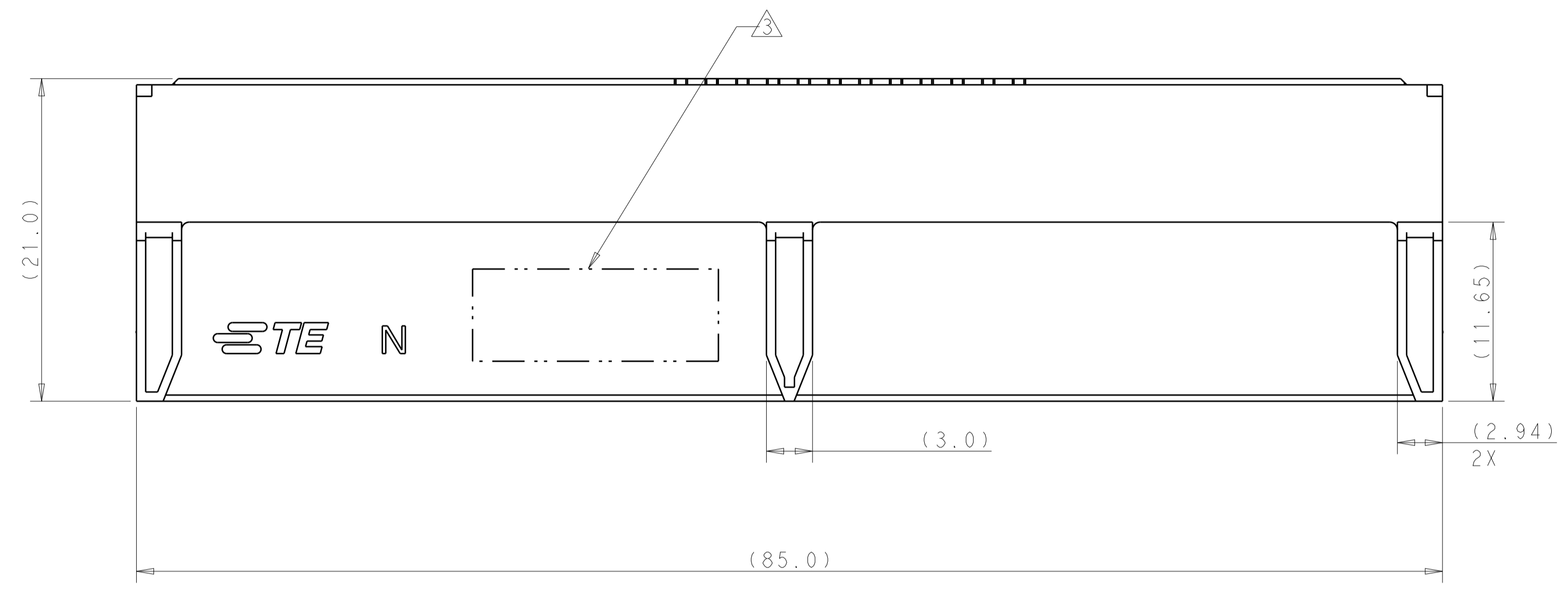
Address: A1208, Overseas Decoration Building, #122 Zhenhua RD., Futian, Shenzhen, China



LOC	DIST	REV	DATE	BY	CHK	APPROV
-	-	A4	17DEC2016	SZ	SZ	
-	-	A5	30DEC2016	SZ	SZ	

NOTES, UNLESS OTHERWISE SPECIFIED

- MATERIAL:  
HOUSING - THERMOPLASTIC, GLASS PREINFORCED, COLOR, BLACK, UL 94V-0  
CONTACTS- COPPER ALLOY.
- FINISH:  
MATING AREA - NOBLE METAL OVERALL NICKEL.  
PRESS FIT - MATTE TIN OVERALL NICKEL.
- MARK P/N AND DATA CODE IN APPROX. AREA AS SHOWN.
- NO BURRS AND/OR SHARP EDGES ARE PERMISSIBLE.
- DATUMS AND BASIC DIMENSIONS ESTABLISHED BY CUSTOMER.



2170231-2	POWER CONTACT, LOWER, SHORT TIP	2	
	POWER CONTACT, UPPER, SHORT TIP	2	
	SIGNAL CONTACT, UPPER	2	
	SIGNAL CONTACT, LOWER	2	
	POWER CONTACT UPPER LONG	6	
	POWER CONTACT LOWER LONG	6	
	ORGANIZER	1	
	HOUSING	1	
	2170231-1	POWER CONTACT, LOWER, SHORT TIP	2
		POWER CONTACT, UPPER, SHORT TIP	2
SIGNAL CONTACT, UPPER		12	
SIGNAL CONTACT, LOWER		12	
POWER CONTACT UPPER LONG		6	
POWER CONTACT LOWER LONG		6	
ORGANIZER	1		
HOUSING	1		
PRODUCT P/N	DESCRIPTION	Q'TY	

THIS DRAWING IS A CONTROLLED DOCUMENT.

OWN: JEFF GONG 10JAN2012  
CHK: ALEX SHOAL 10JAN2012  
APPROV: MANGIAN WANG 10JAN2012

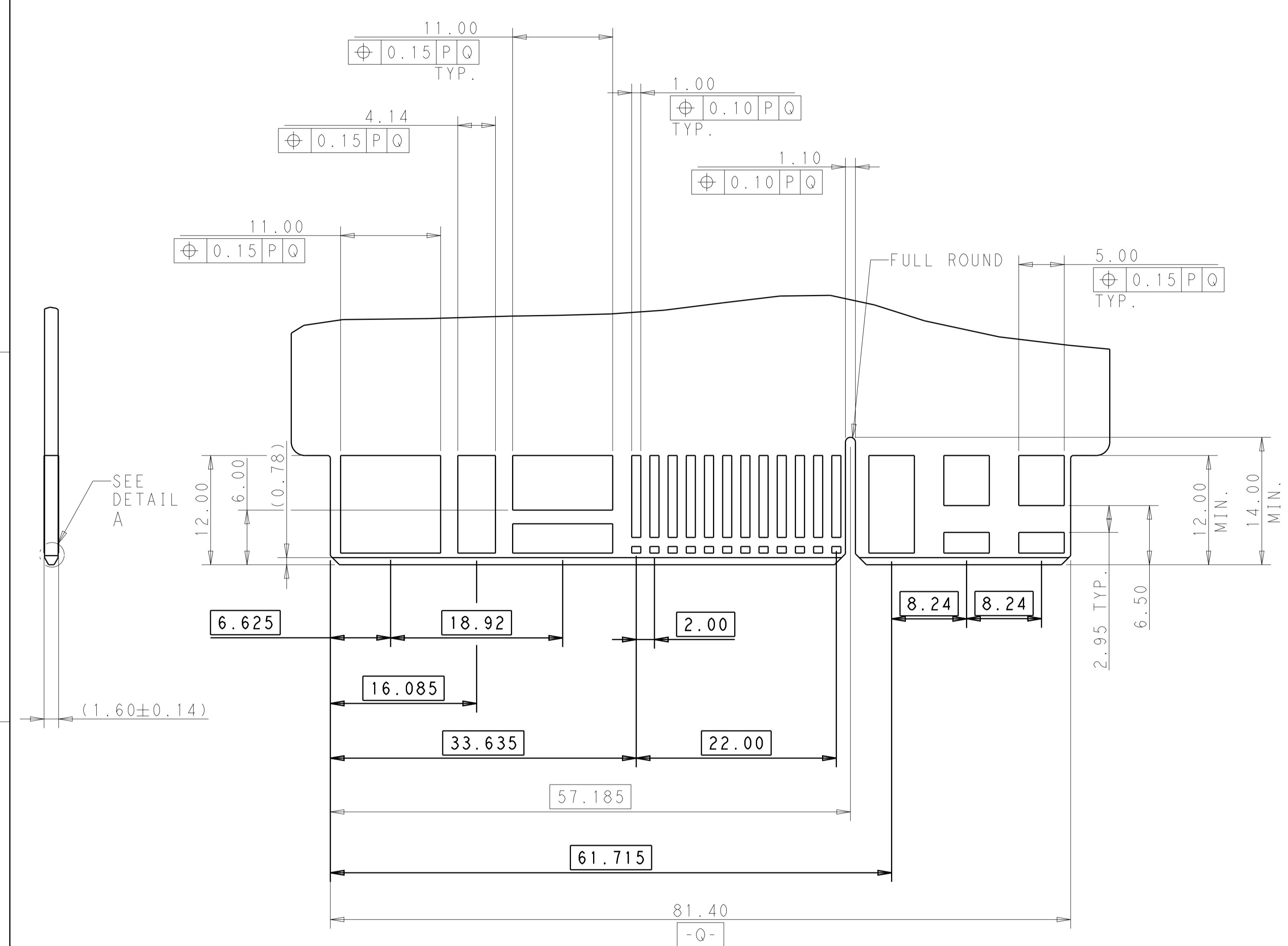
NAME: HYBRID POWER CARD EDGE PRESS FIT LOW PROFILE

PRODUCT SPEC: 108-60092  
APPLICATION SPEC:

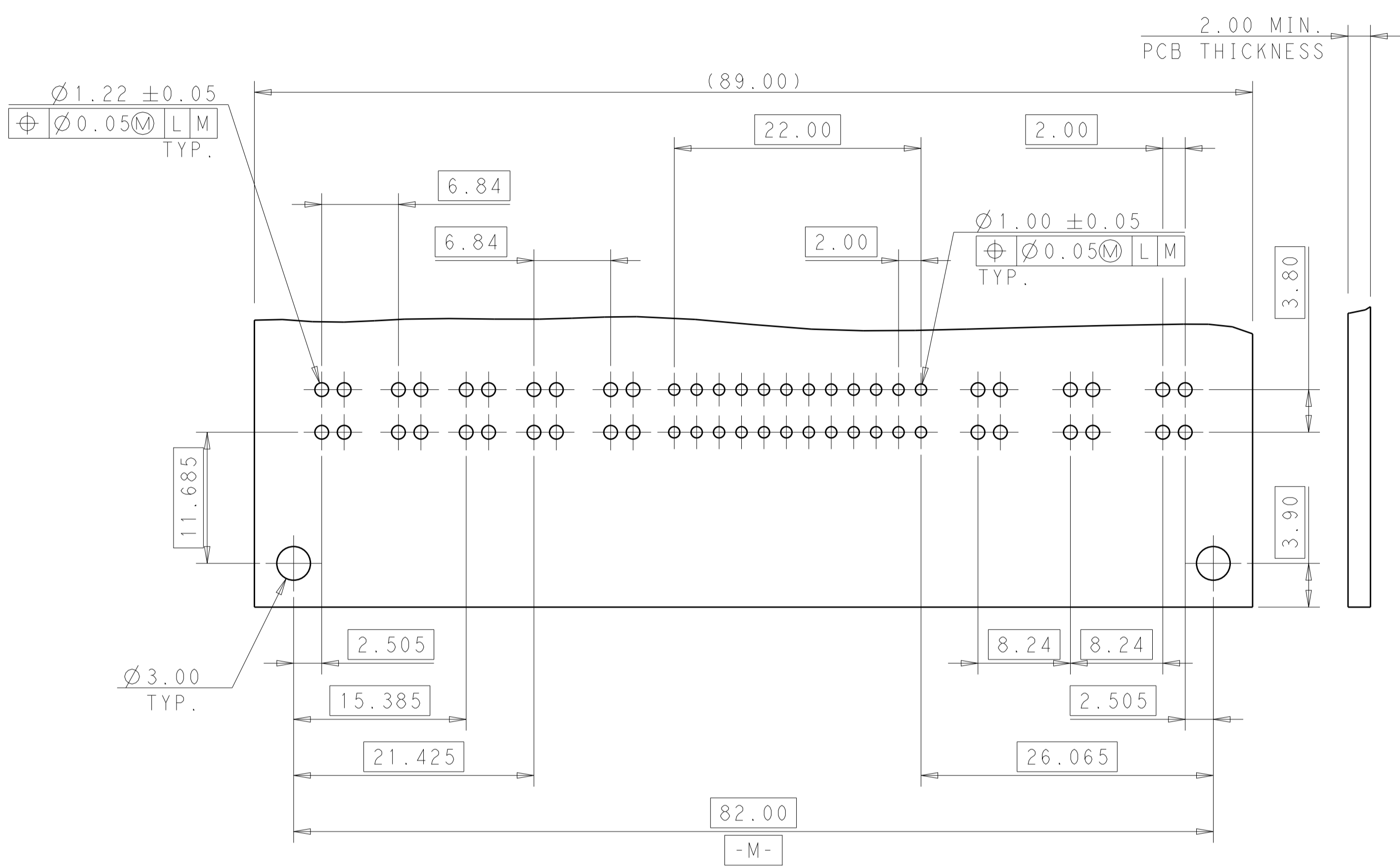
SIZE: A1  
CAGE CODE: 100779  
DRAWING NO: 2170231

SCALE: 4:1  
SHEET: 1 OF 2  
REV: A5

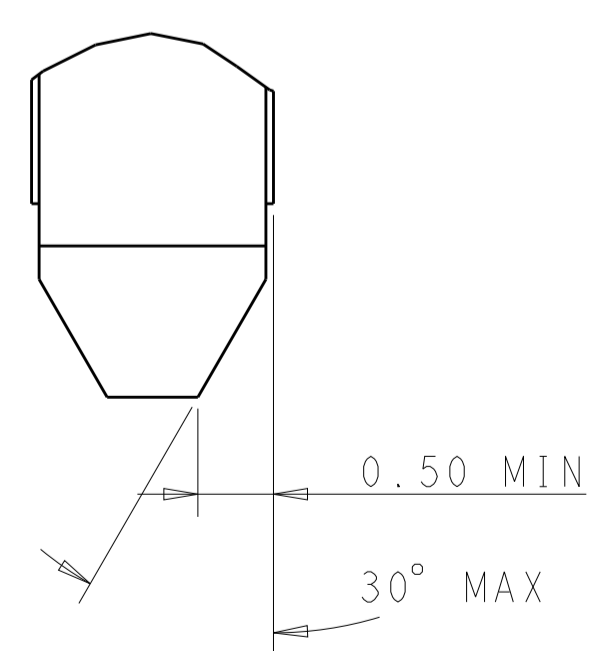
LOC		DIST		REVISIONS			
P	LTN	DESCRIPTION	DATE	DMN	APVD		
-	-	SEE SHEET 1	-	-	-	-	-



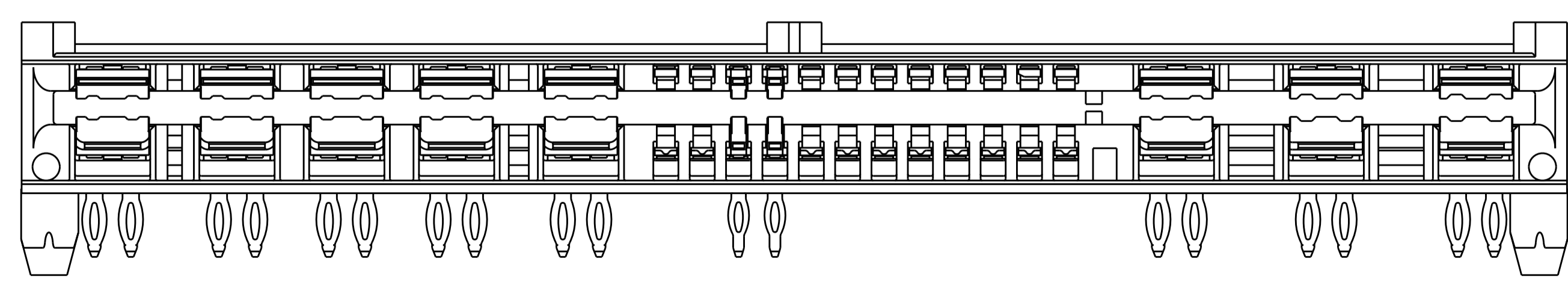
RECOMMENDED CARD EDGE CONFIGURATION  
TYP. BOTH SIDE



RECOMMENDED PRINTED CIRCUIT BOARD LAYOUT  
COMPONENT SIDE



DETAIL A  
SCALE 20:1



P/N: 2170231-2

NOTES, UNLESS OTHERWISE SPECIFIED:

1. PLATED THROUGH HOLE, SIGNAL:  
FINISHED HOLE SIZE: 1.00mm.  
DRILL HOLE SIZE: 1.10±0.025mm.
2. PLATED THROUGH HOLE, POWER:  
FINISHED HOLE SIZE: 1.22mm.  
DRILL HOLE SIZE: 1.32±0.025mm.
3. COPPER PLATING THICKNESS: 0.025~0.05mm.
4. SURFACE FINISH: OSP OR IMMERSION TIN PLATING IS RECOMMENDED.

THIS DRAWING IS A CONTROLLED DOCUMENT.		DMN: JEFF GONG 10JAN2012	TE Connectivity
DIMENSIONS: mm		CHK: ALEX SHOAL 10JAN2012	
TOLERANCES UNLESS OTHERWISE SPECIFIED:		APVD: MANGIAN WANG 10JAN2012	NAME: HYBRID POWER CARD EDGE PRESS FIT LOW PROFILE PRODUCT SPEC: 108-60092 APPLICATION SPEC:
0 PLC ±0.2 1 PLC ±0.1 2 PLC ±0.1 3 PLC ±0.05 4 PLC ±0.05 ANGLES ±2		SIZE: A1 CAGE CODE: 100779 DRAWING NO: 2170231	
MATERIAL:		WEIGHT:	RESTRICTED TO:
FINISH:		CUSTOMER DRAWING	SCALE: 4:1 SHEET 2 OF 2 REV: A5