



Chipsmall Limited consists of a professional team with an average of over 10 year of expertise in the distribution of electronic components. Based in Hongkong, we have already established firm and mutual-benefit business relationships with customers from,Europe,America and south Asia,supplying obsolete and hard-to-find components to meet their specific needs.

With the principle of “Quality Parts,Customers Priority,Honest Operation,and Considerate Service”,our business mainly focus on the distribution of electronic components. Line cards we deal with include Microchip,ALPS,ROHM,Xilinx,Pulse,ON,Everlight and Freescale. Main products comprise IC,Modules,Potentiometer,IC Socket,Relay,Connector.Our parts cover such applications as commercial,industrial, and automotives areas.

We are looking forward to setting up business relationship with you and hope to provide you with the best service and solution. Let us make a better world for our industry!



Contact us

Tel: +86-755-8981 8866 Fax: +86-755-8427 6832

Email & Skype: info@chipsmall.com Web: www.chipsmall.com

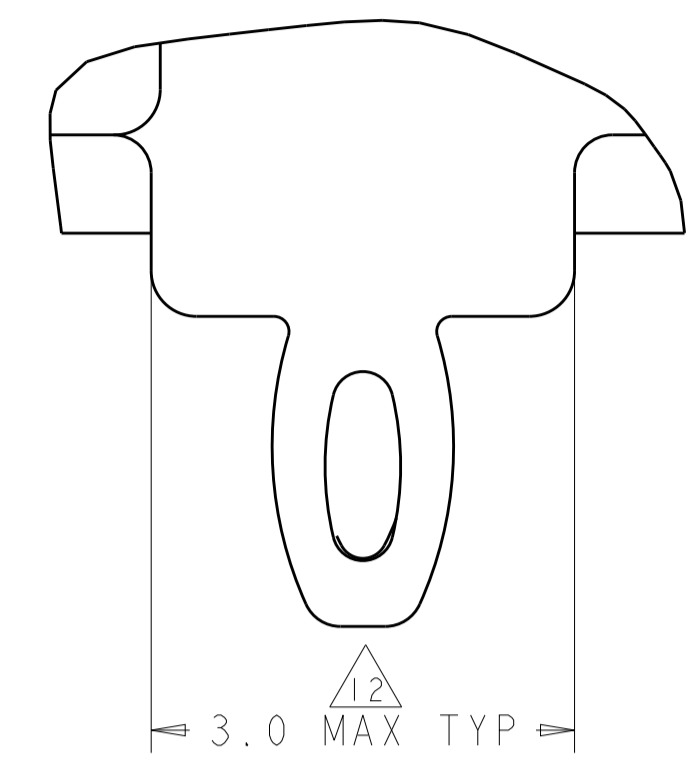
Address: A1208, Overseas Decoration Building, #122 Zhenhua RD., Futian, Shenzhen, China



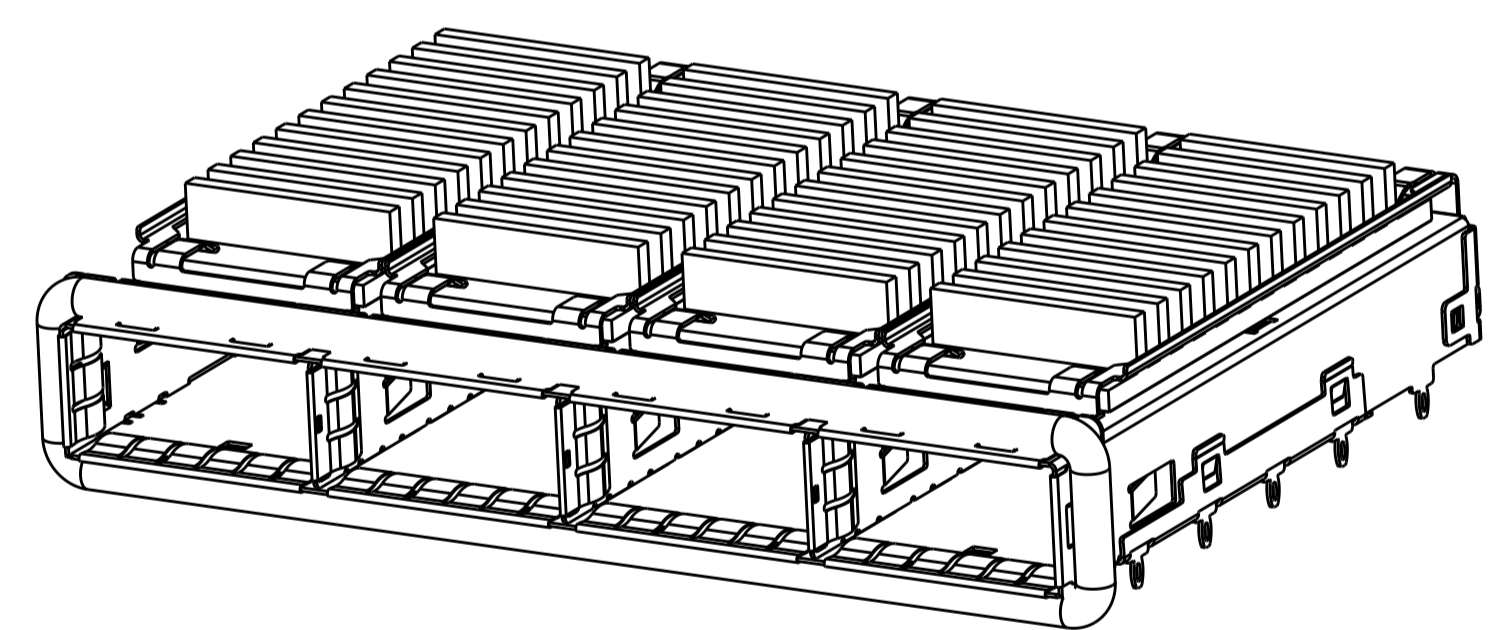
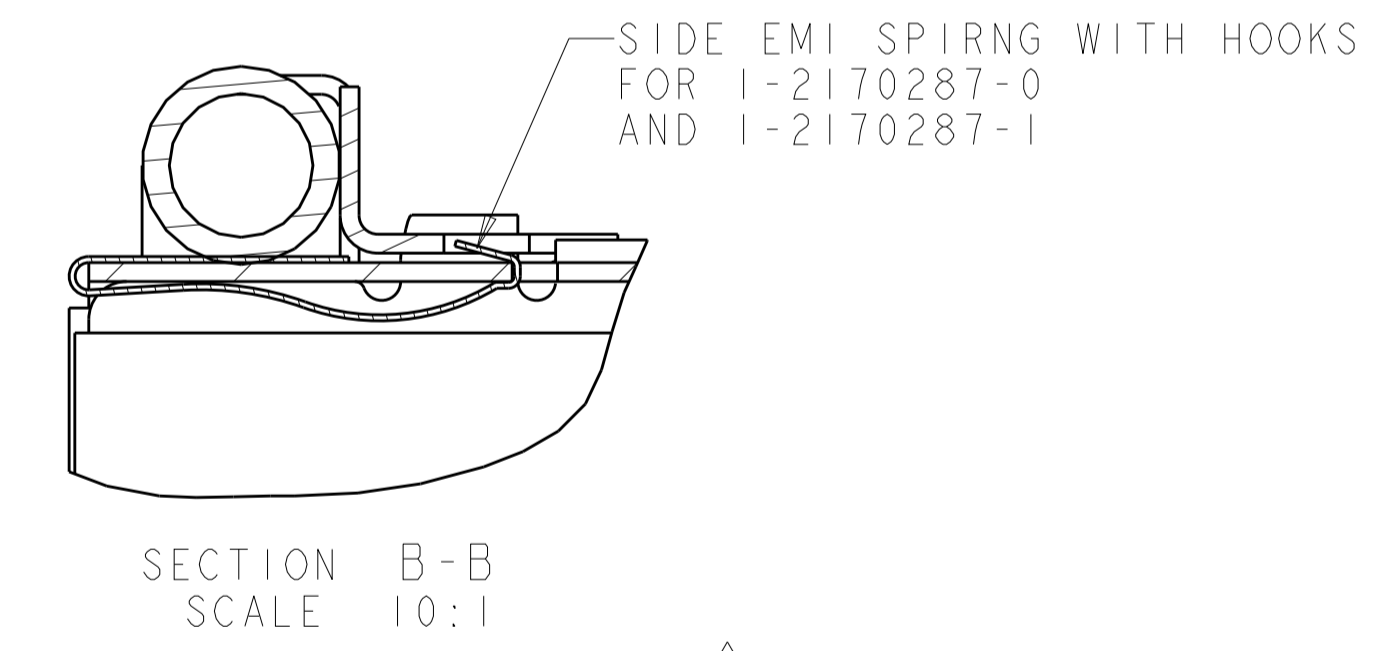
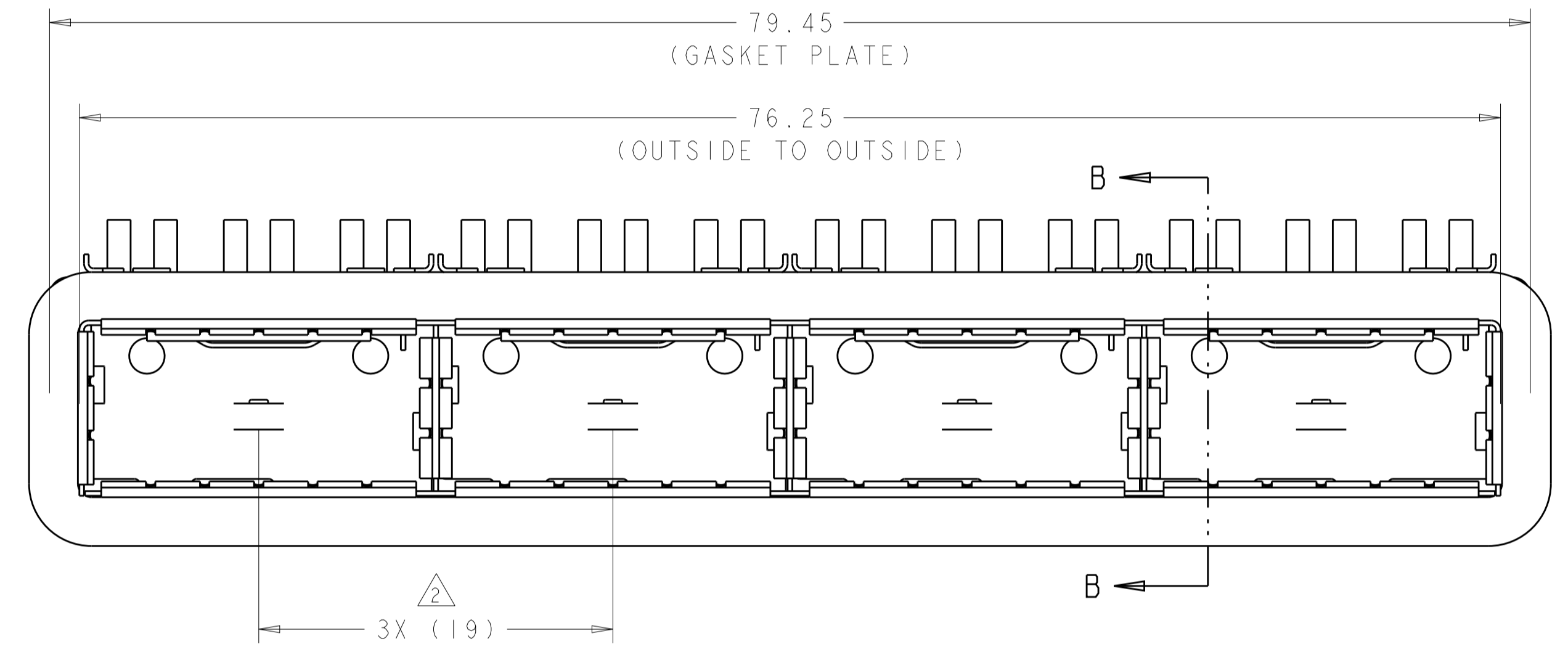
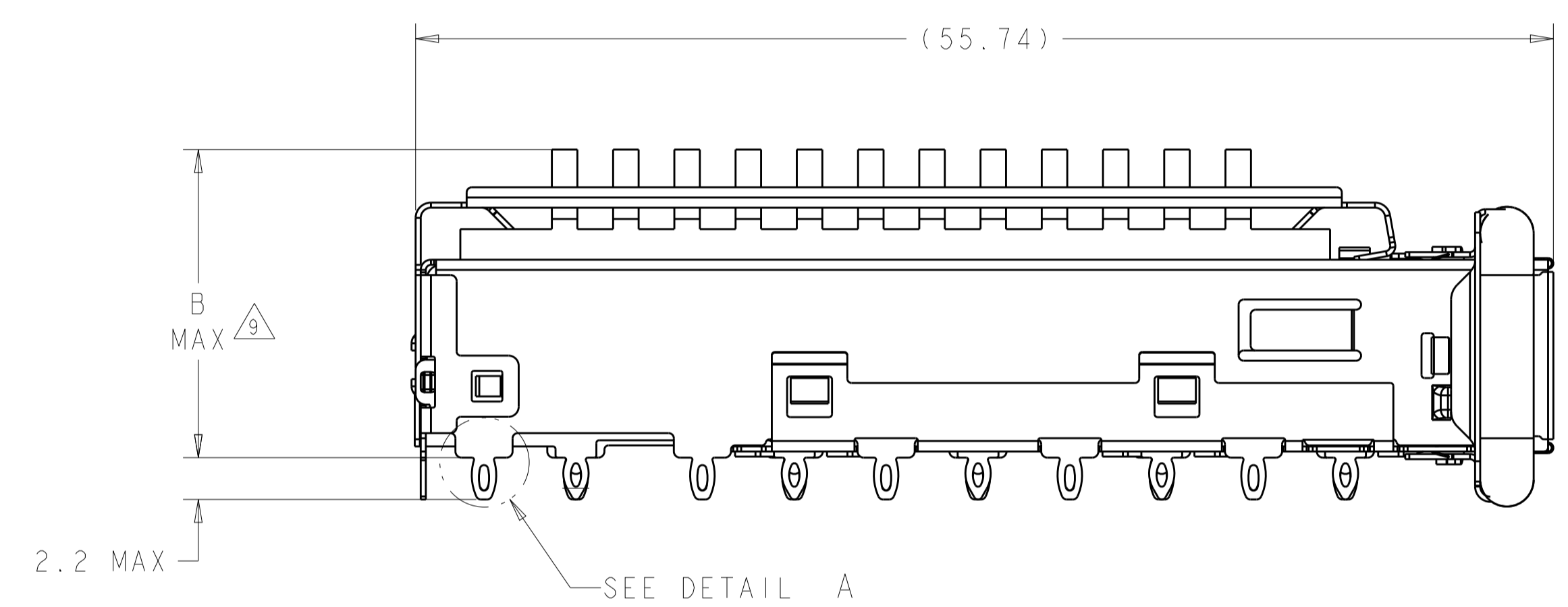
LOC	DIST	REV	DATE	BY	CHK	APPV
GP	00	A	RELEASE PER ECO-16-002978	3MAR2016	RG	SH

- 1. CAGE ASSEMBLY MATERIAL: NICKEL SILVER, 0.25 THICK
 HEAT SINK MATERIAL: ALUMINUM
 HEAT SINK CLIP MATERIAL: STAINLESS STEEL
 EMI SPRING MATERIAL: COPPER ALLOY
 EMI GASKET MATERIAL: CONDUCTIVE RUBBER, UL 94V-0 RATED
 EMI GASKET PLATE MATERIAL: STAINLESS STEEL
- 2. PITCH BETWEEN PORTS OF ONE 1X4 CAGE ASSEMBLY.
- 3. SPACING BETWEEN CAGES ON THE SAME PC BOARD, TO BE SPECIFIED BY CUSTOMER, MUST COMPLY WITH MINIMUM DIMENSIONS SHOWN.
- 4. REFERENCE APPLICATION SPEC 114-13217 FOR RECOMMENDED DRILL HOLE DIAMETER AND PLATING THICKNESS.
- 5. DATUMS AND BASIC DIMENSIONS ESTABLISHED BY CUSTOMER.
- 6. DIMENSION F IS THE NOMINAL THICKNESS OF CUSTOMER SUPPLIED PC BOARD,
 SINGLE SIDED PC BOARD MINIMUM THICKNESS = 1.45mm
 DOUBLE SIDED PC BOARD MINIMUM THICKNESS = 5.0mm PER CUSTOM.
- 7. HEAT SINKS, LIGHT PIPES, AND HEAT SINK CLIPS SHIPPED ASSEMBLED TO CAGE ASSEMBLY. CAGE ASSEMBLY MAY BE PRESSED INTO THE PCB AS SHIPPED.
- 8. DATUM -A- IS TOP SURFACE OF PC BOARD.
- 9. DIMENSION APPLIES WITH MODULE INSERTED IN CAGE.
- 10. UNPLATED THRU HOLE.

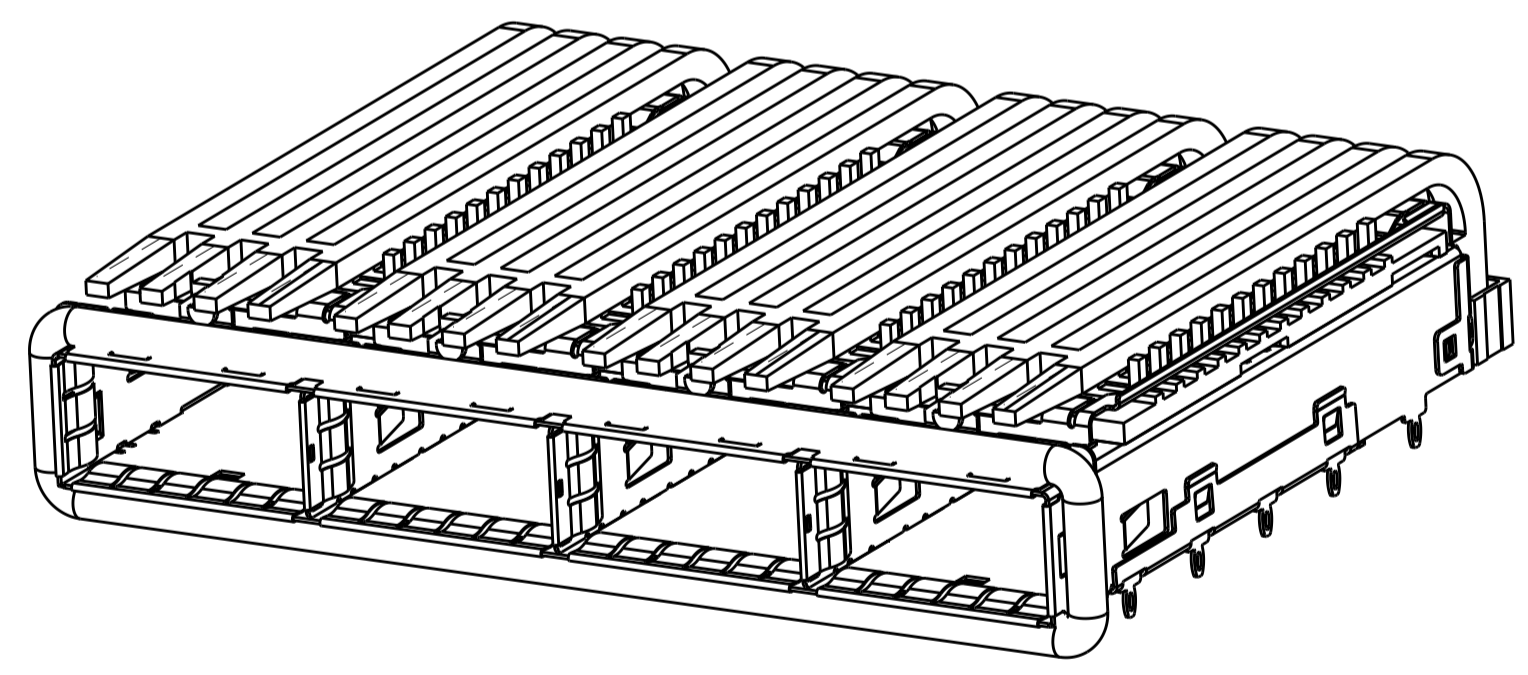
- 11. MATES WITH QSFP MSA COMPATIBLE TRANSCEIVER.
- 12. SURFACE TRACES PERMITTED WITHIN THIS AREA EXCEPT WHERE CAGE STANDOFFS, SHOWN IN DETAIL A, CONTACT PC BOARD.
- 13. BASELINE FOR THESE DIMENSIONS IS THE CENTER OF COMPLIANT PIN HOLE.
- 14. DATE CODE (YYWWD) MARKED ON TOP OF CAGE AND CONCEALED BY HEAT SINKS APPLIES TO CAGE ASSEMBLY ONLY.
- 15. REFERENCE APP SPEC 114-13217 FOR GASKET THICKNESS CALCULATION.
- 16. EMI SPRING FINISH: TIN PLATING OVER NICKEL
 HEAT SINK FINISH: ANODIZED OR NICKEL PLATING.



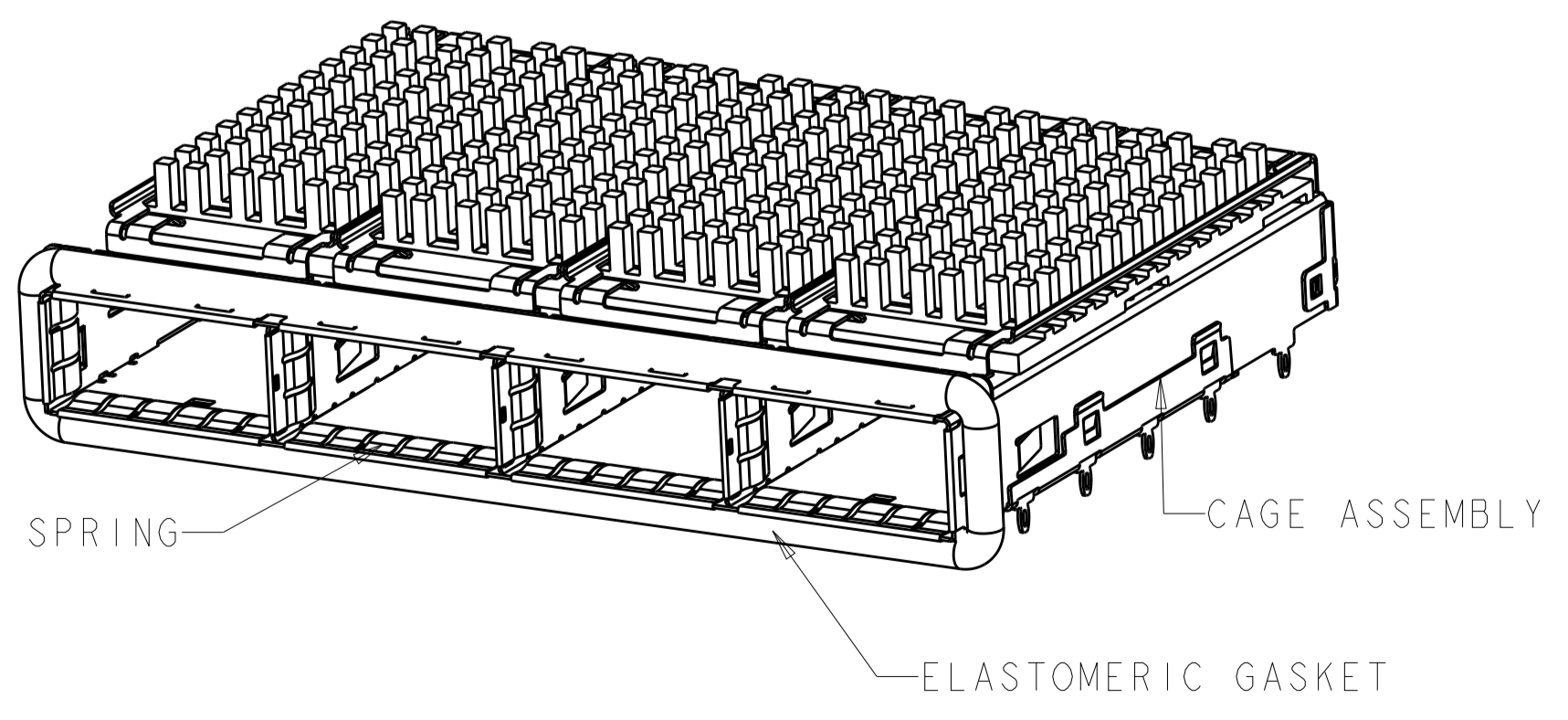
DETAIL A
SCALE 20:1



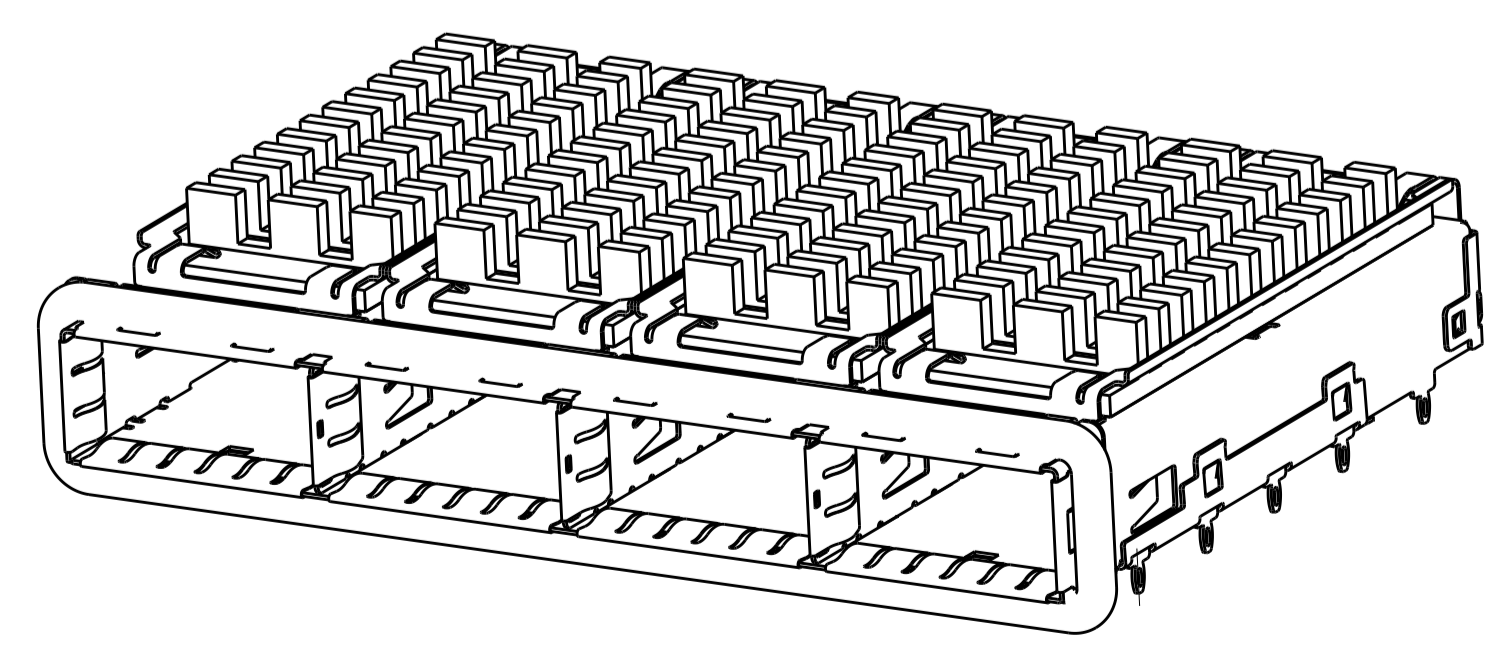
2170287-4, 2170287-5, 2170287-6
SCALE 2:1



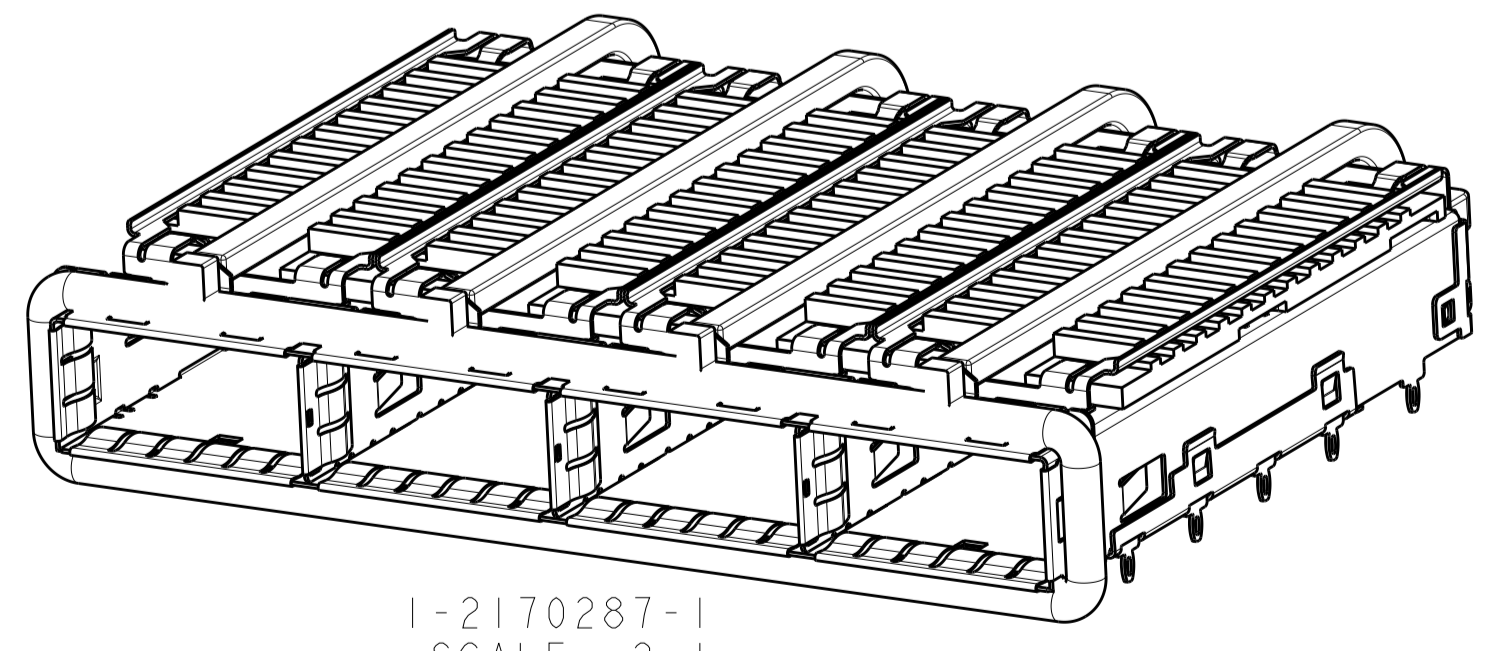
1-2170287-0
SCALE 2:1



2170287-1, 2170287-2, 2170287-3
SCALE 2:1



2170287-7, 2170287-8, 2170287-9
SCALE 2:1



1-2170287-1
SCALE 2:1

SIZE	CAGE CODE	DRAWING NO	RESTRICTED TO
13.7	PCI(FIN TYPE)	1-2170287-1	
15.0	CUSTOMIZED HEAT SINK	1-2170287-0	
23.0	NETWORKING(FIN TYPE)	2170287-9	
16.0	SAN(FIN TYPE)	2170287-8	
13.7	PCI(FIN TYPE)	2170287-7	
23.0	NETWORKING(FIN TYPE)	2170287-6	
16.0	SAN(FIN TYPE)	2170287-5	
13.7	PCI(FIN TYPE)	2170287-4	
23.0	NETWORKING(PIN TYPE)	2170287-3	
16.0	SAN(PIN TYPE)	2170287-2	
13.7	PCI(PIN TYPE)	2170287-1	
B	HEAT SINK PROFILE	PART NUMBER	

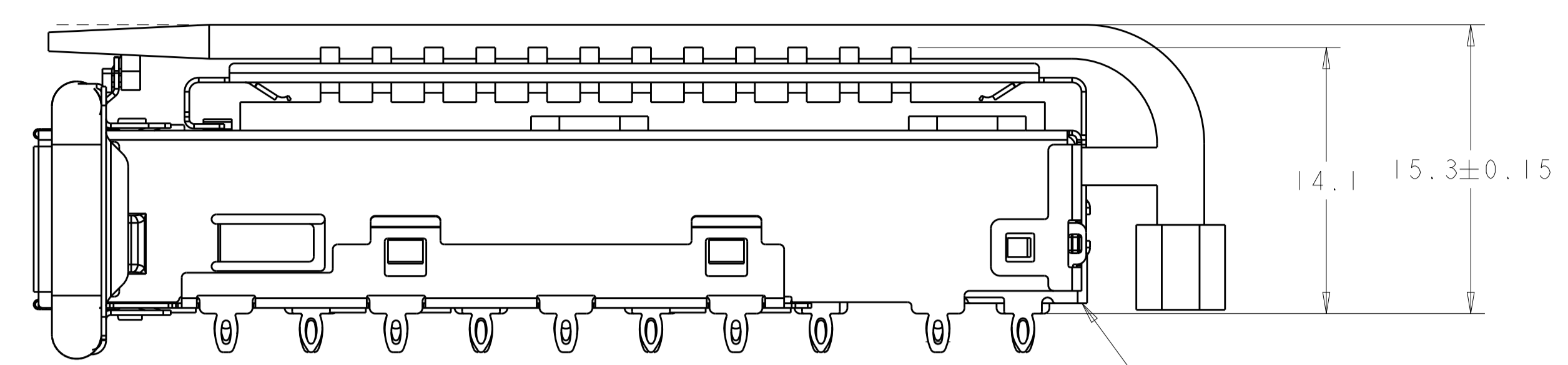
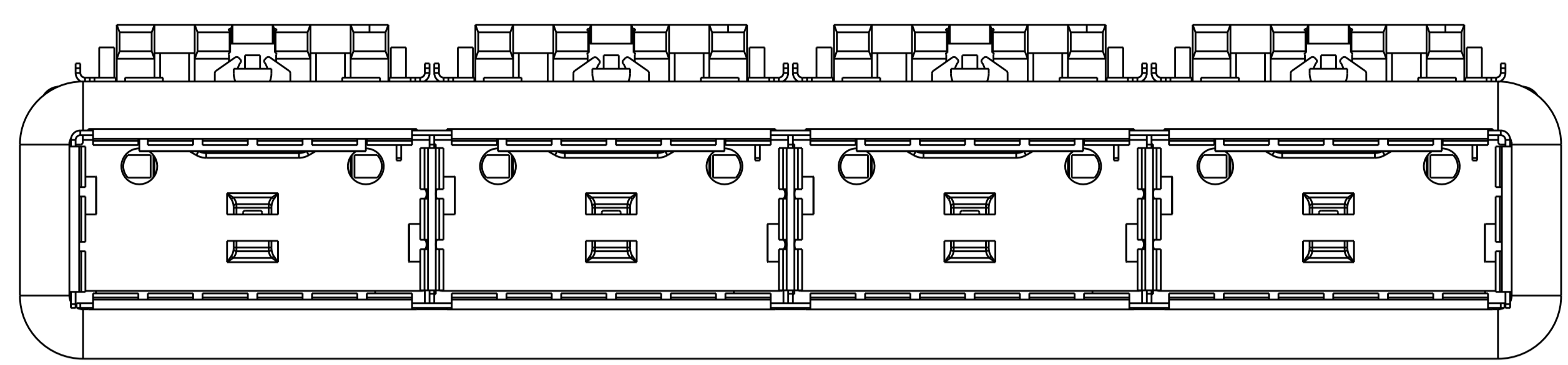
THIS DRAWING IS A CONTROLLED DOCUMENT.

DIMENSIONS:	TOLERANCES UNLESS OTHERWISE SPECIFIED:	OWN: RINSEN SUN 29FEB2012	CHK: DENNY ZHU 29FEB2012	APPV: ALEY CAI 29FEB2012
mm	0 PLC ±0.35 1 PLC ±0.25 2 PLC ±0.25 3 PLC ± 4 PLC ±	PRODUCT SPEC: 108-2286	APPLICATION SPEC: 114-13217	WEIGHT: -
MATERIAL:	FINISH:	SIZE: A1	CAGE CODE: 00779	DRAWING NO: 2170287
		CUSTOMER DRAWING	SCALE: 4:1	SHEET 1 OF 8

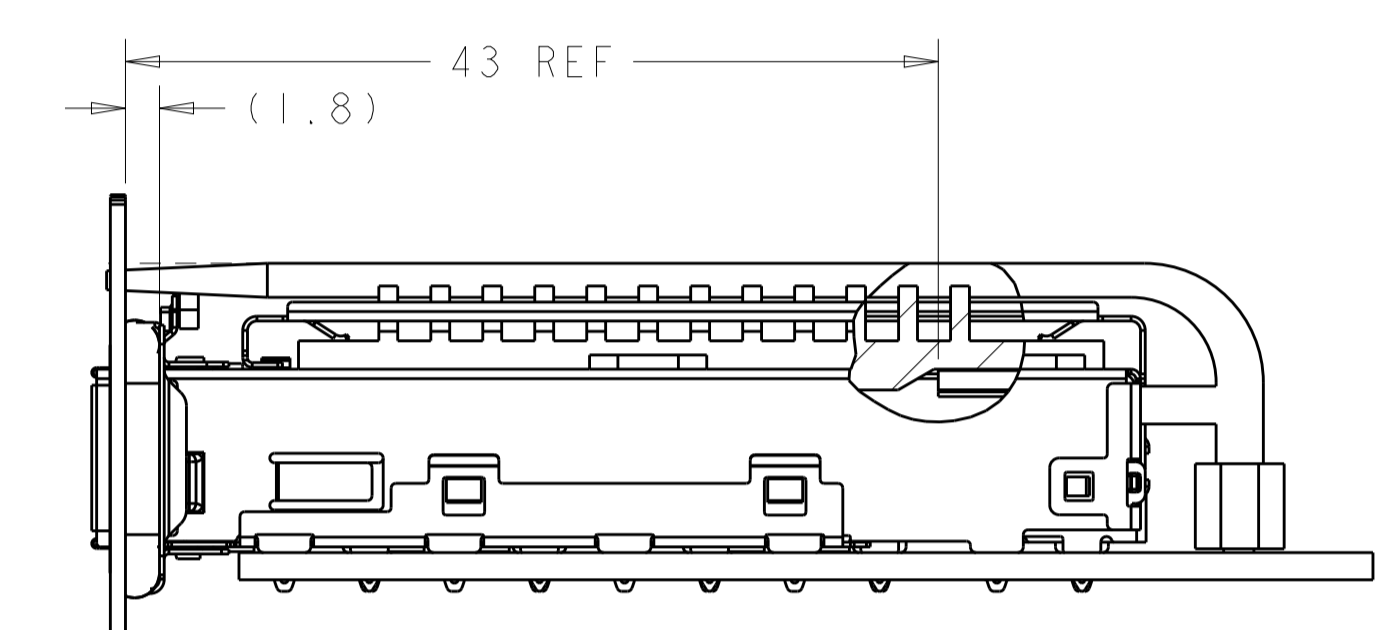
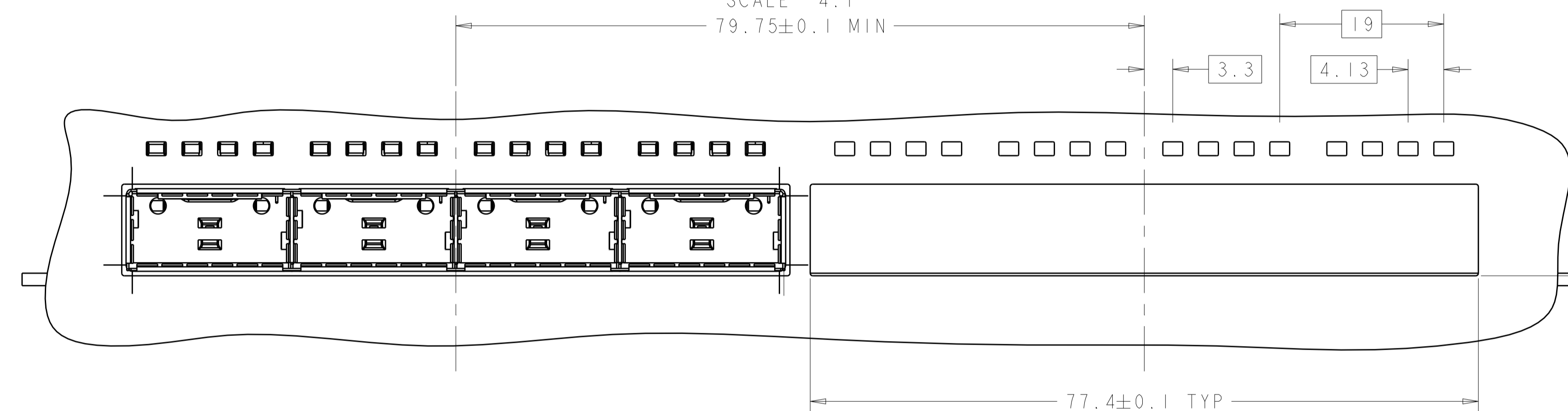
TE Connectivity

NAME: 1X4 CAGE ASSEMBLY, THRU BEZEL, W/ELASTOMERIC GASKET AND HEAT SINKS, QSFP

LOC	DIST	REVISIONS			
GP	00	REV	DATE	BY	APPV
-	-	SEE SHEET 1	-	-	-

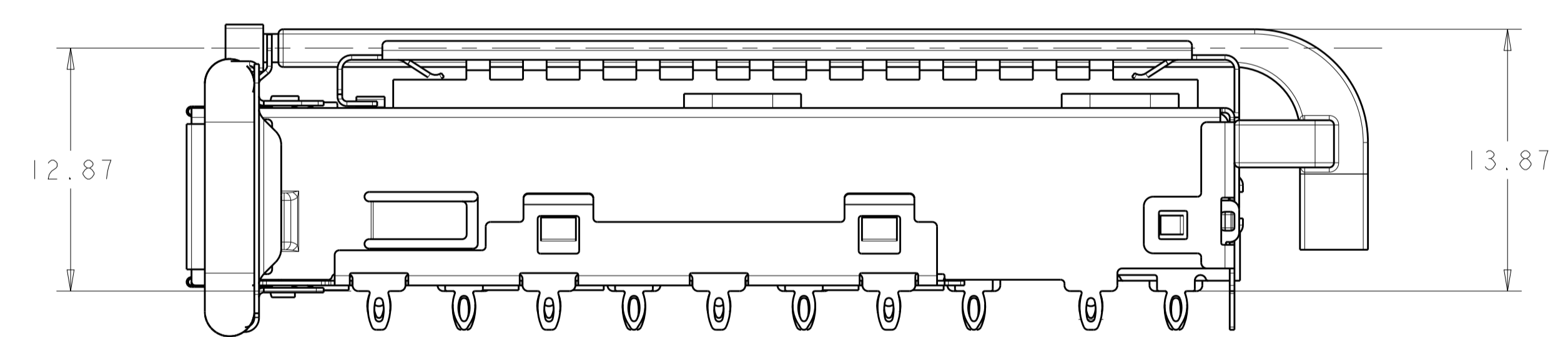
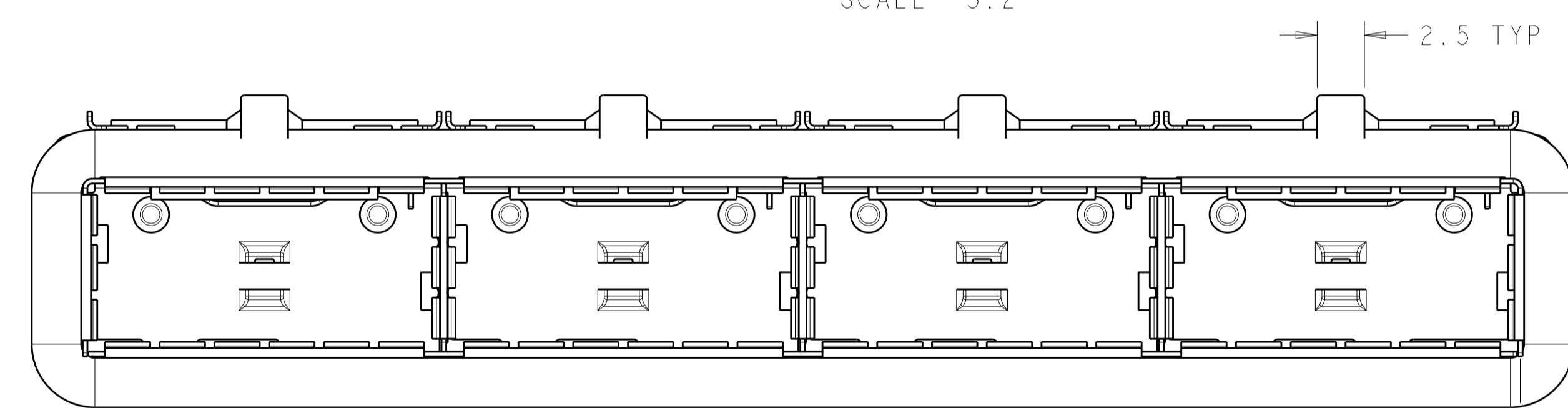


1-2170287-0 shown
SCALE 4:1

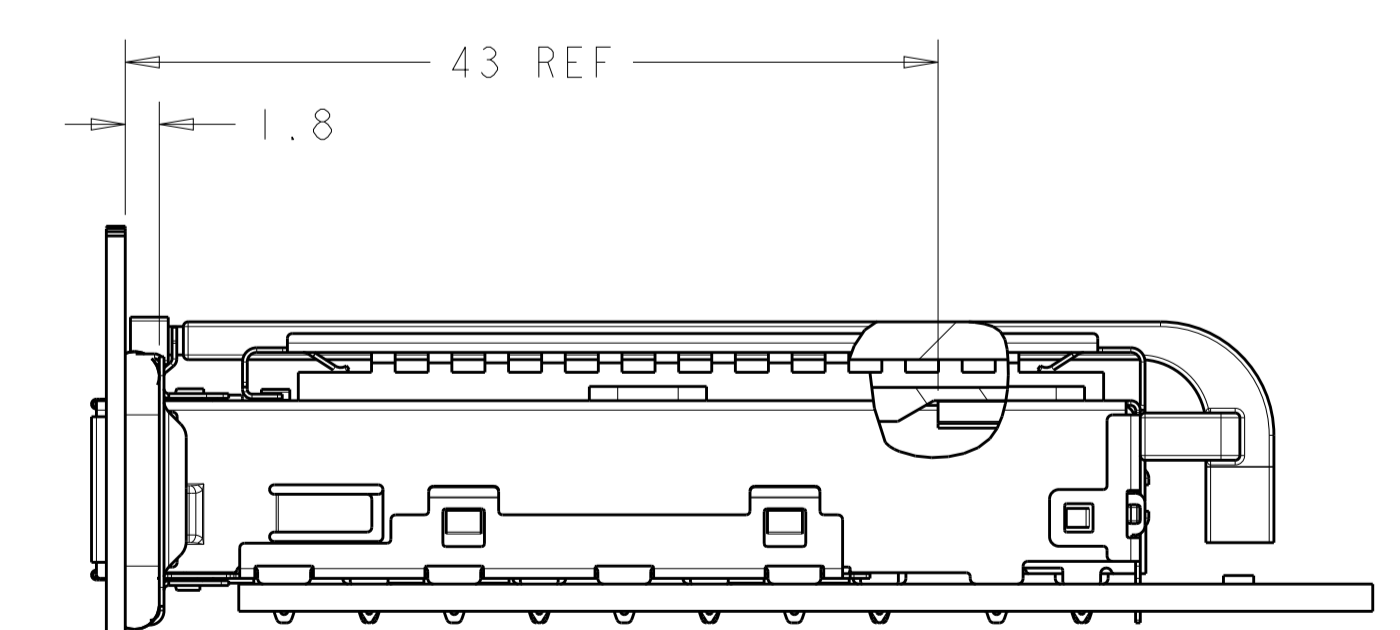
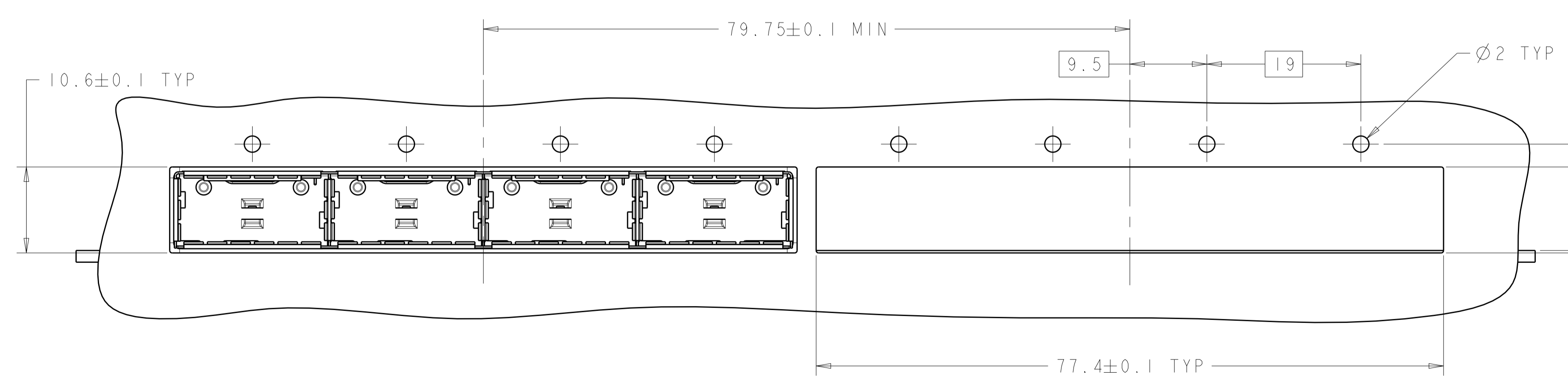


SECTION B-B

1-2170287-0
ONE SIDED CONFIGURATION
SCALE 5:2



1-2170287-1 SHOWN
SCALE 4:1



SECTION B-B

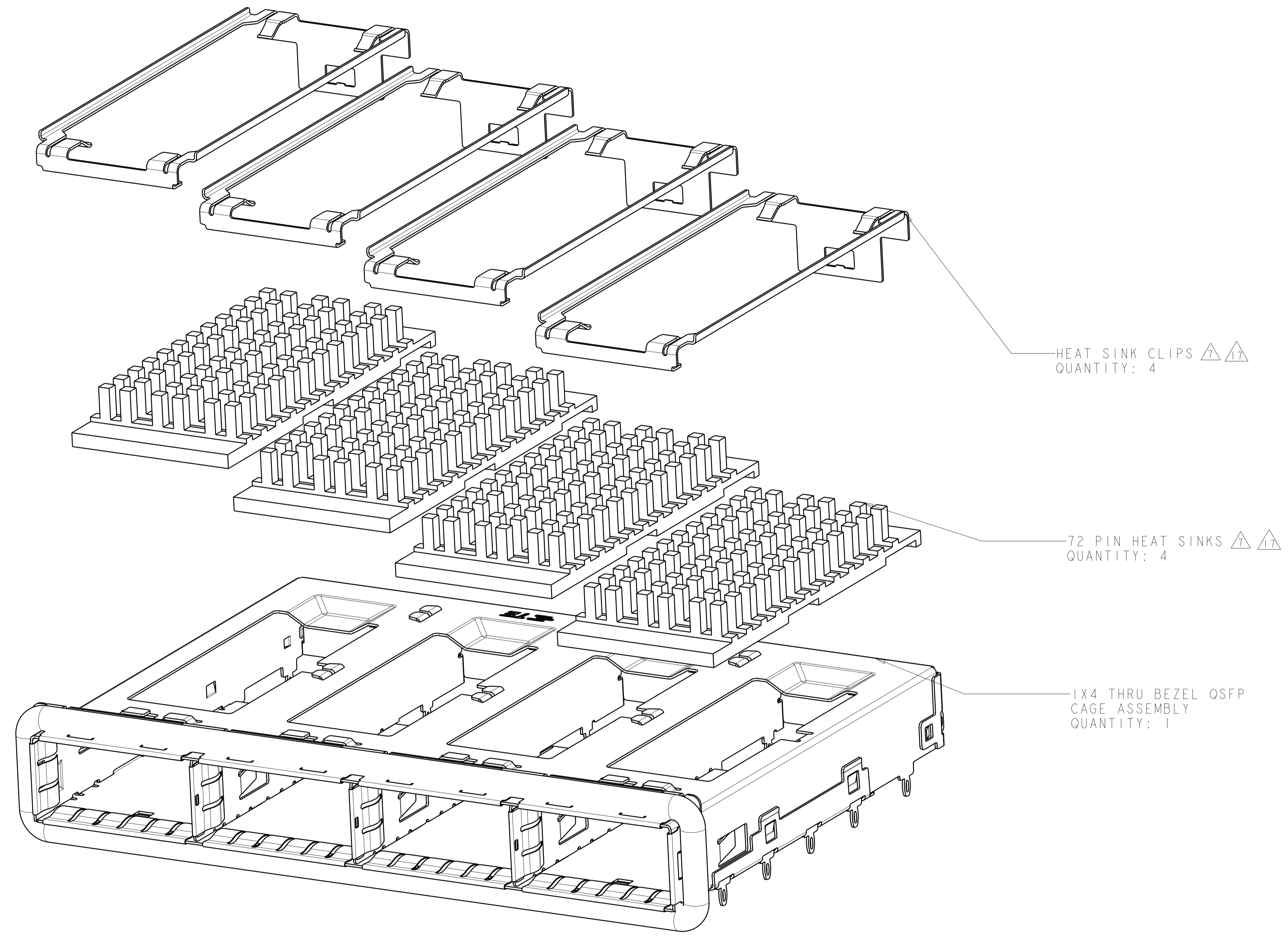
1-2170287-1
ONE SIDED CONFIGURATION
SCALE 5:2

0.3±0.1
BEZEL OPENING
BELOW PCB SURFACE

0.3
BEZEL OPENING
BELOW PCB SURFACE

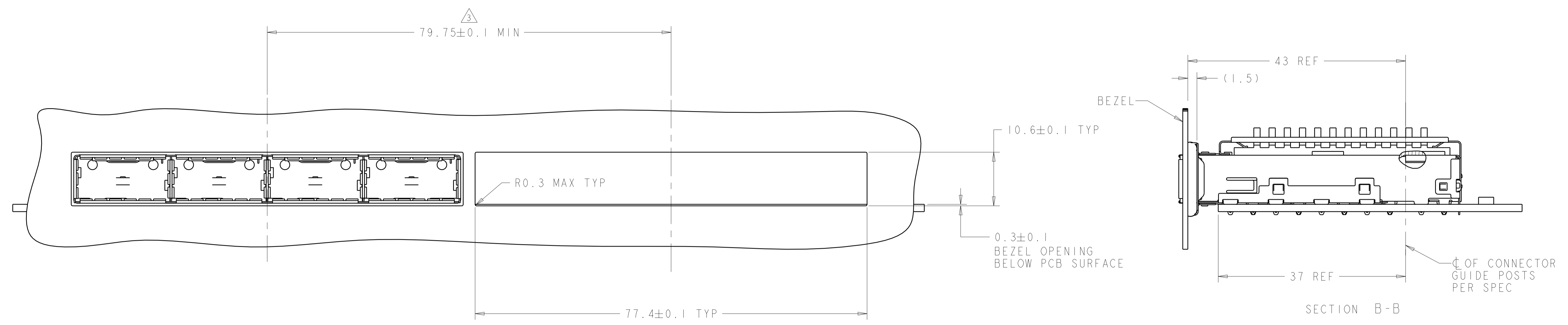
THIS DRAWING IS A CONTROLLED DOCUMENT.		OWN: RINSEN SUN 29FEB2012	TE Connectivity
DIMENSIONS: mm		CHK: DENNY ZHU 29FEB2012	
TOLERANCES UNLESS OTHERWISE SPECIFIED:		APPV: ALEY CAI 29FEB2012	NAME: 1X4 CAGE ASSEMBLY, THRU BEZEL, W/ELASTOMERIC GASKET AND HEAT SINKS, QSFP
0 PLC ±	1 PLC ±0.35	PRODUCT SPEC	SIZE: CAGE CODE DRAWING NO
2 PLC ±0.25	3 PLC ±	APPLICATION SPEC	RESTRICTED TO
4 PLC ±	ANGLES ±	114-13217	A100779C=2170287
MATERIAL:	FINISH:	WEIGHT:	SCALE: 1:1 SHEET 2 OF 8 REV A
CUSTOMER DRAWING			

LOC	DIST	REVISIONS			
P	LTN	DESCRIPTION	DATE	OWN	APVD
GP	00	SEE SHEET 1	-	-	-

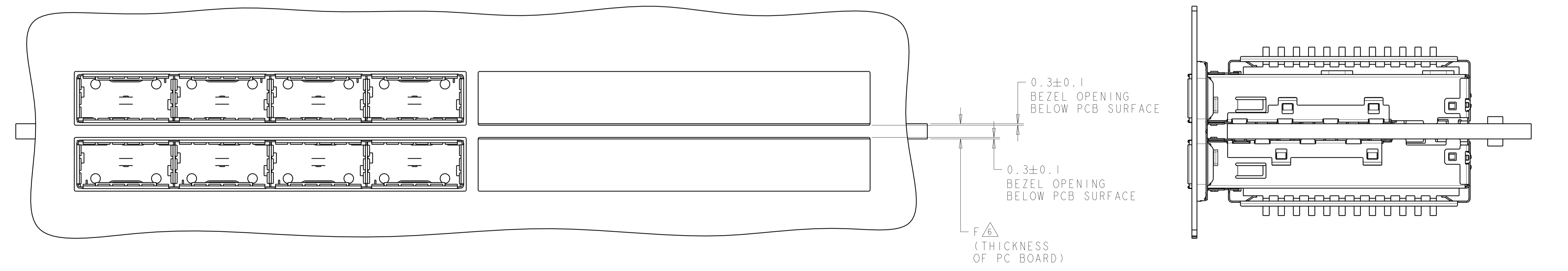


THIS DRAWING IS A CONTROLLED DOCUMENT.		OWN KINSEN SUN 29FEB2012	
DIMENSIONS: mm		CHK DENNY ZHU 29FEB2012	
		APVD ALEX CAI 29FEB2012	NAME 1X4 CAGE ASSEMBLY, THRU BEZEL, W/ELASTOMERIC GASKET AND HEAT SINKS, QSFP
TOLERANCES UNLESS OTHERWISE SPECIFIED:		PRODUCT SPEC 108-2286	RESTRICTED TO
0 PLC \pm		APPLICATION SPEC 114-13217	SIZE A100779C=2170287
1 PLC ± 0.35		WEIGHT	SCALE 1:1
2 PLC ± 0.25		CUSTOMER DRAWING	SHEET 3 OF 8
3 PLC \pm			REV A
4 PLC \pm			
ANGLES \pm			
FINISH			

LOC	DIST	REVISIONS					
GP	00	P	LTN	DESCRIPTION	DATE	DMN	APVD
-	-	-	-	SEE SHEET 1	-	-	-



ONE SIDED CONFIGURATION
 SCALE 5:2

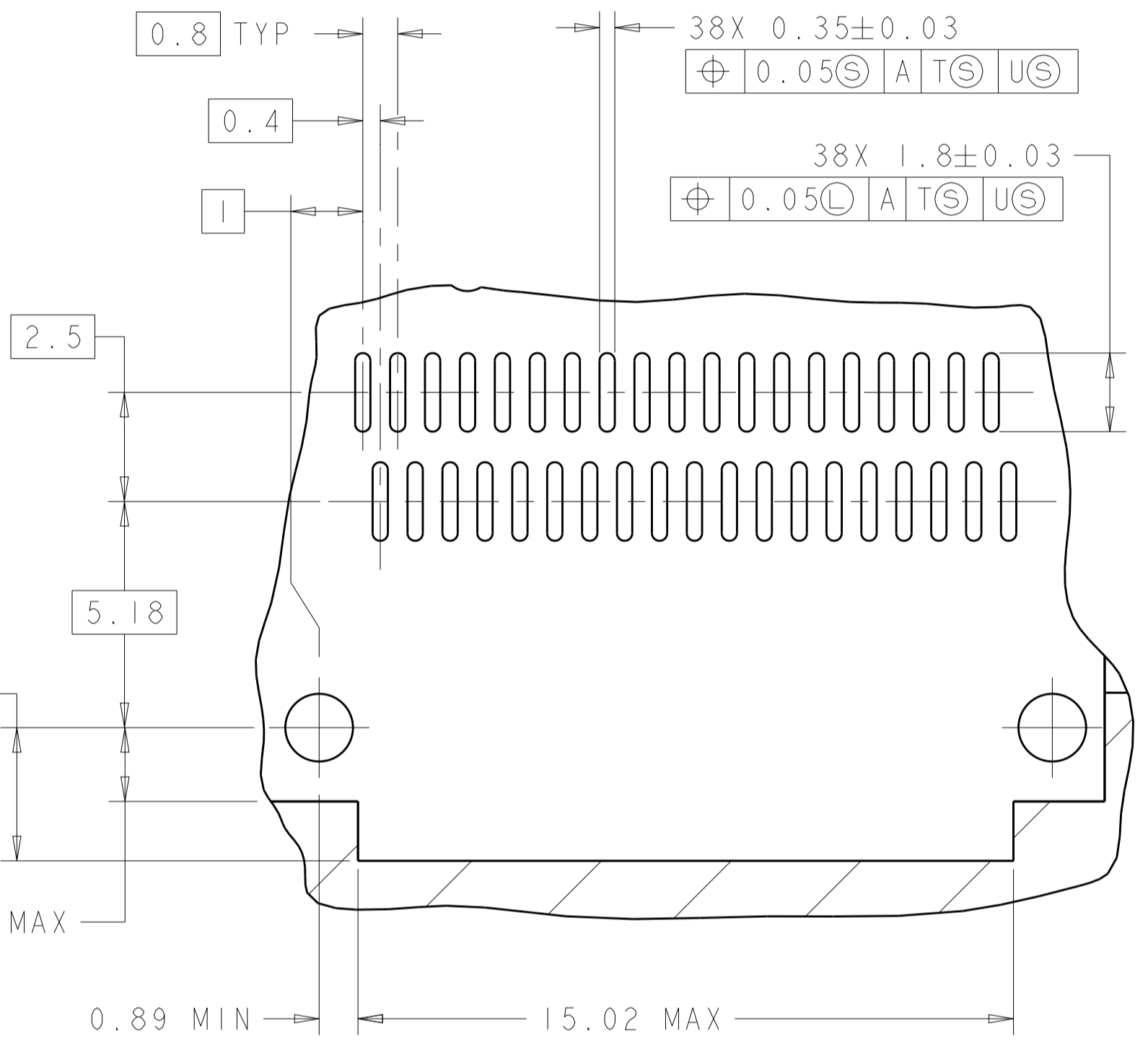
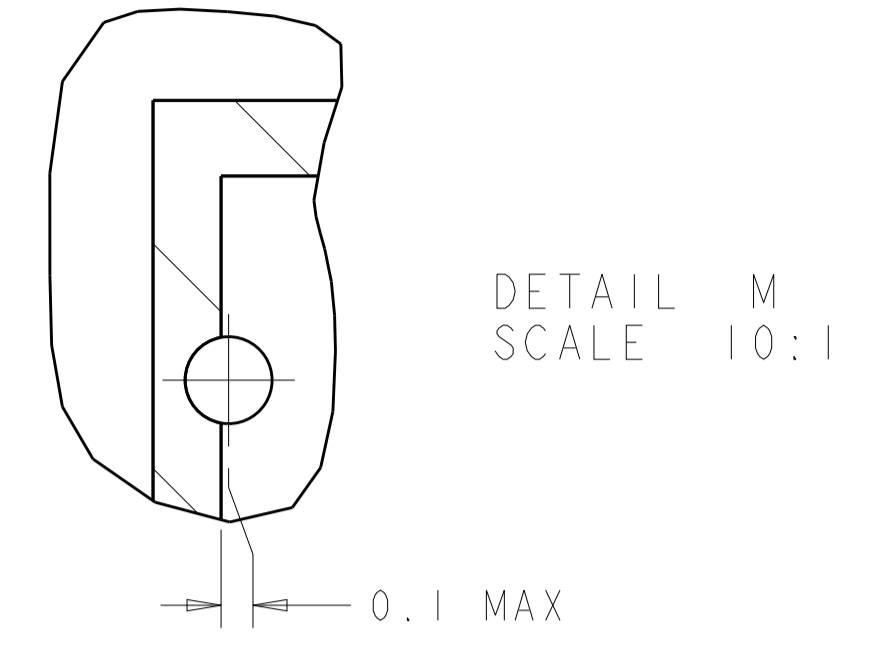
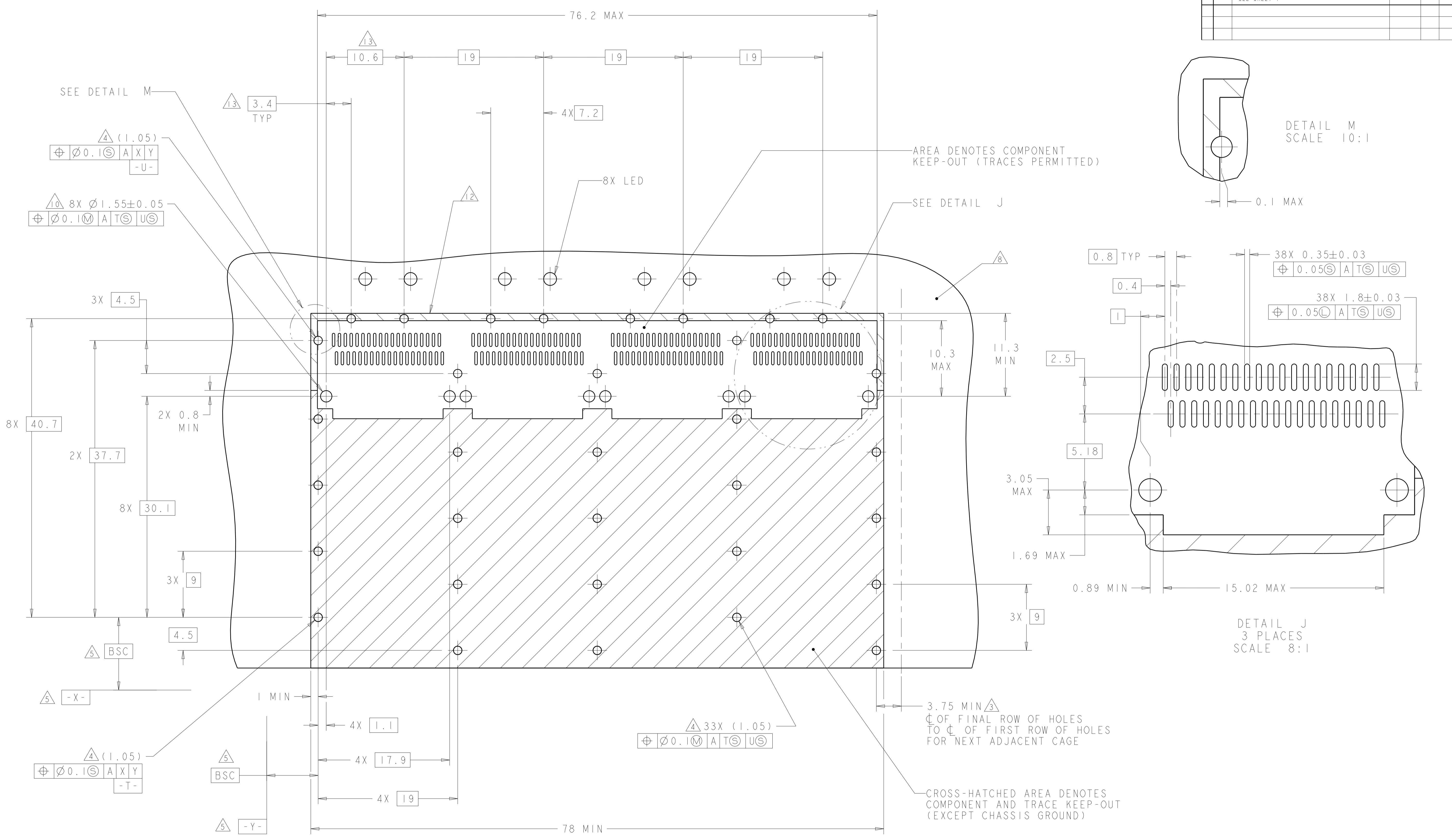


BELLY TO BELLY CONFIGURATION
 SIMILAR TO ONE SIDED
 EXCEPT WHERE NOTED
 SCALE 5:2

THIS DRAWING IS A CONTROLLED DOCUMENT.		DMN RINSEN SUH 29FEB2012	TE Connectivity
DIMENSIONS:		CHK DENNY ZHU 29FEB2012	
mm	TOLERANCES UNLESS OTHERWISE SPECIFIED:	APVD ALEX CAI 29FEB2012	NAME 1X4 CAGE ASSEMBLY, THRU BEZEL, W/ELASTOMERIC GASKET AND HEAT SINKS, QSFP
	0 PLC ± 1 PLC ±0.35 2 PLC ±0.25 3 PLC ± 4 PLC ± ANGLES ± FINISH ±	PRODUCT SPEC 108-2286	SIZE A100779C=2170287
MATERIAL		APPLICATION SPEC 114-13217	RESTRICTED TO
		WEIGHT	SCALE 1:1 SHEET 4 OF 8 REV A
		CUSTOMER DRAWING	

LOC	DIST	REV	DATE	BY	APPV
GP	00				

REVISIONS			
NO.	DESCRIPTION	DATE	BY
1	SEE SHEET 1		



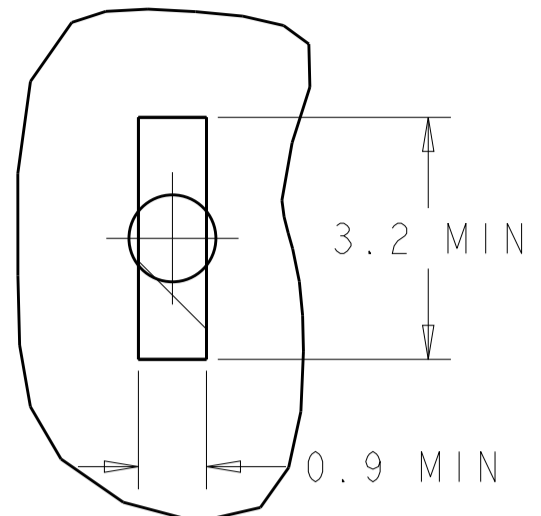
RECOMMENDED PC BOARD LAYOUT
 SINGLE SIDE MOUNT CONFIGURATION
 SCALE 4:1

3.75 MIN Δ
 C OF FINAL ROW OF HOLES
 TO C OF FIRST ROW OF HOLES
 FOR NEXT ADJACENT CAGE

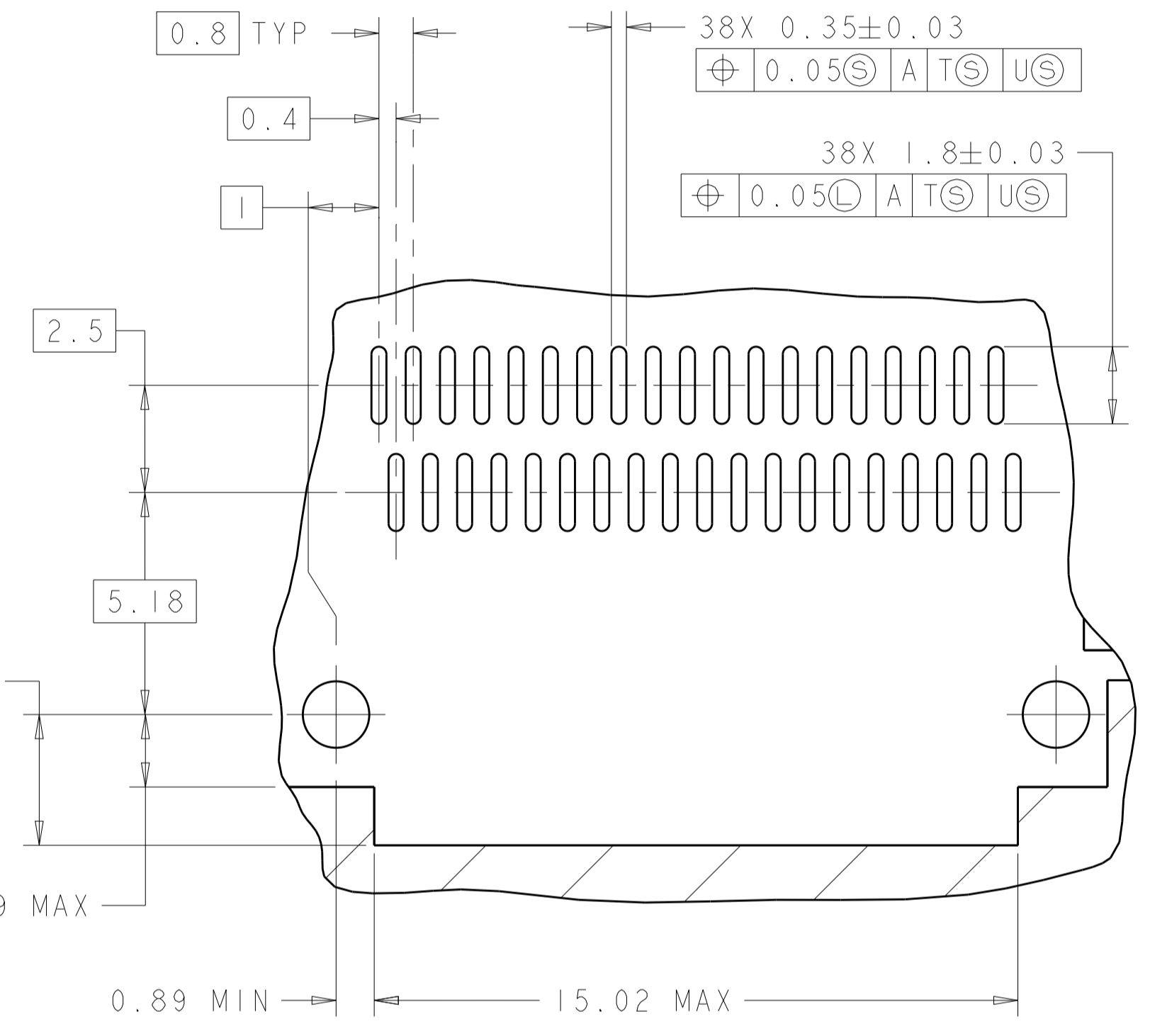
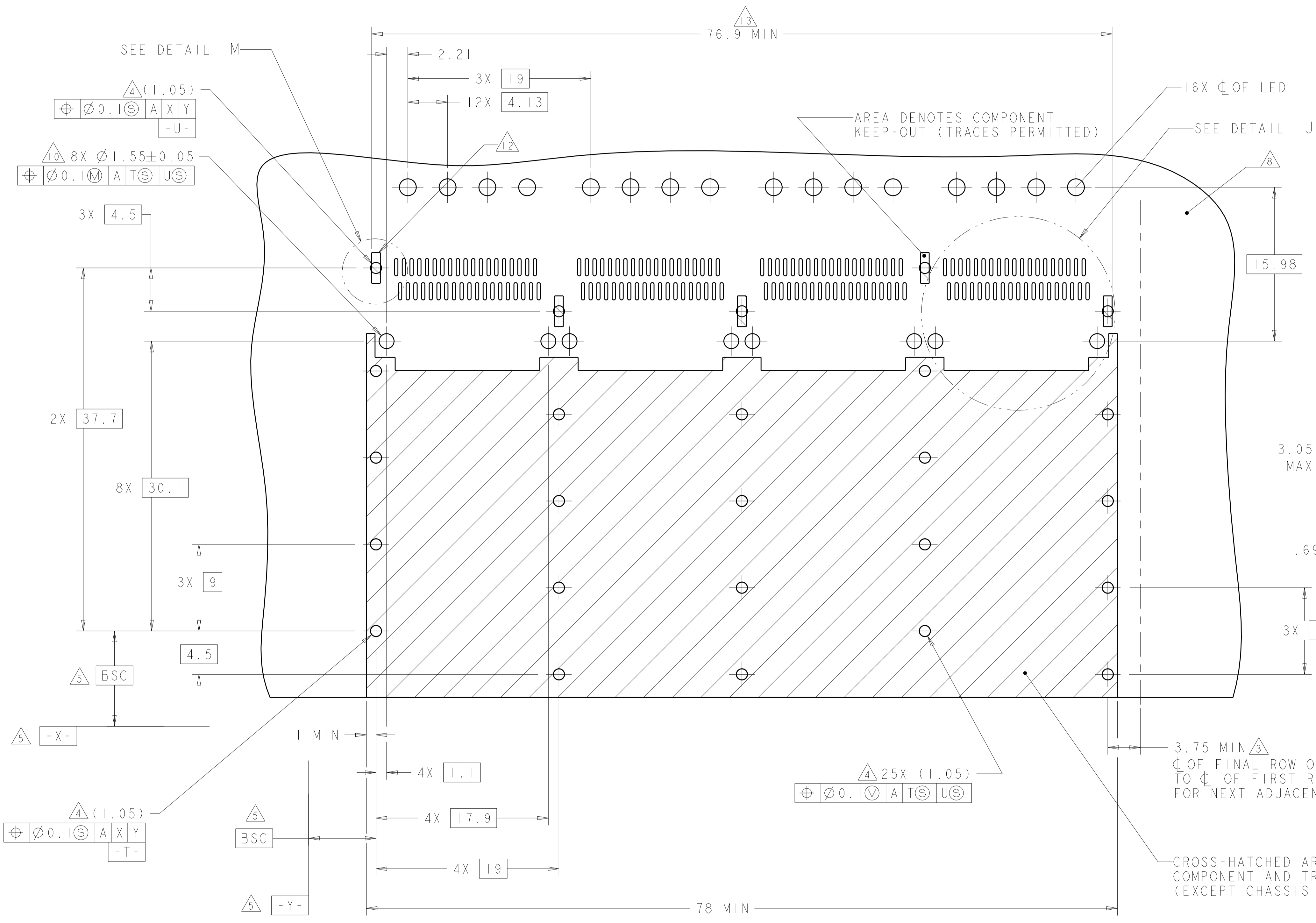
CROSS-HATCHED AREA DENOTES
 COMPONENT AND TRACE KEEP-OUT
 (EXCEPT CHASSIS GROUND)

THIS DRAWING IS A CONTROLLED DOCUMENT.		OWN: KINSEN SUN 29FEB2012	TE Connectivity
DIMENSIONS: mm		CHK: DENNY ZHU 29FEB2012	
TOLERANCES UNLESS OTHERWISE SPECIFIED:		APVD: ALEY CAI 29FEB2012	NAME: 1X4 CAGE ASSEMBLY, THRU BEZEL, W/ELASTOMERIC GASKET AND HEAT SINKS, QSFP
0 PLC	±	PRODUCT SPEC	108-2286
1 PLC	±0.35	APPLICATION SPEC	114-13217
2 PLC	±0.25	WEIGHT	
3 PLC	±	CUSTOMER DRAWING	
4 PLC	±	SCALE	1:1
ANGLES	±	SHEET	5 OF 8
MATERIAL		REV	A

LOC	DIST	REV	DATE	BY	APPV
GP	00				



DETAIL M
SCALE 10:1



DETAIL J
3 PLACES
SCALE 8:1

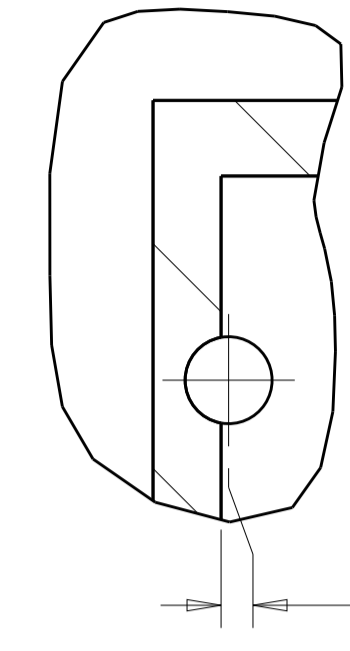
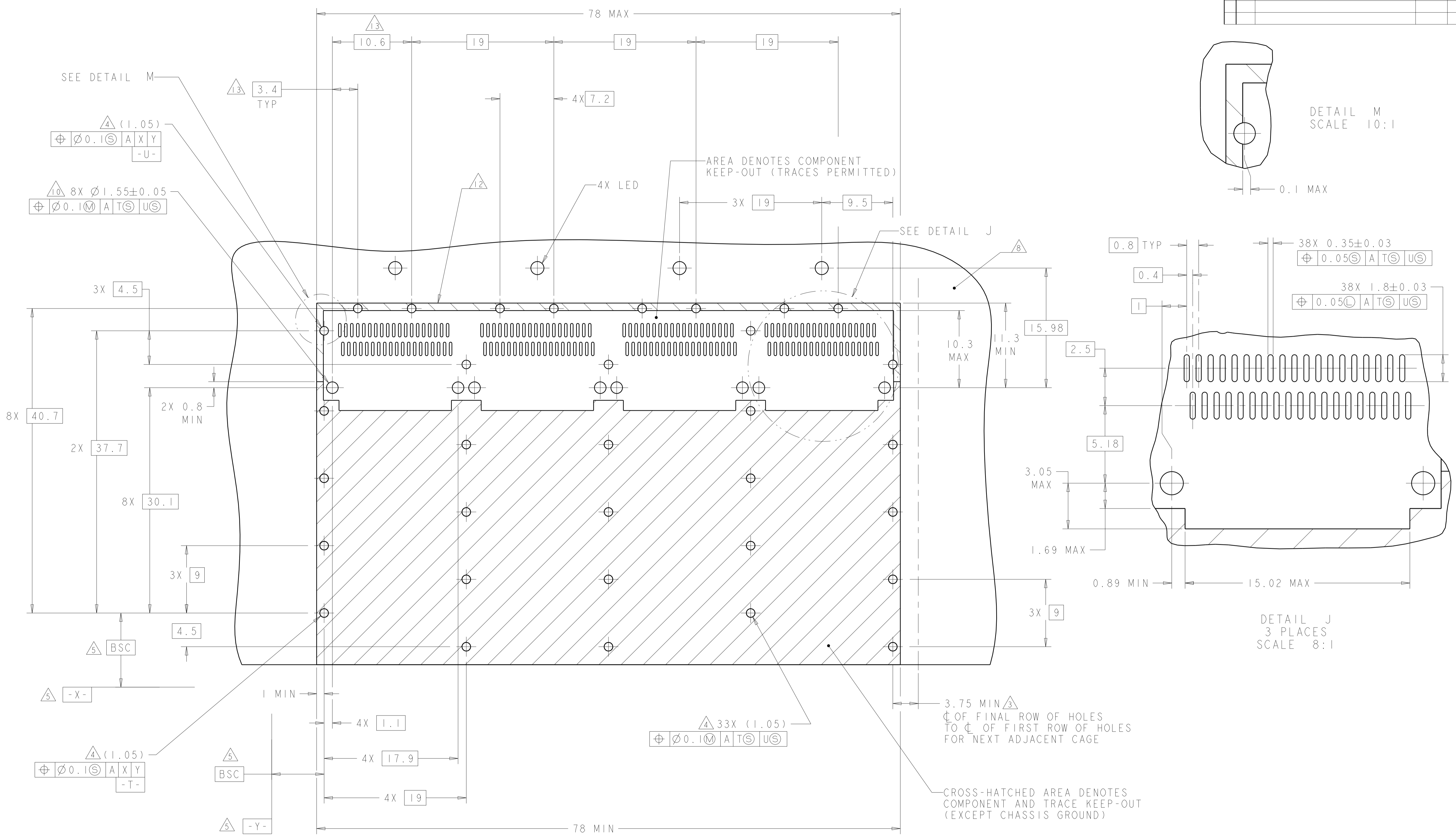
RECOMMENDED PC BOARD LAYOUT FOR 1-2170287-0
 SINGLE SIDE MOUNT CONFIGURATION
 SCALE 4:1

THIS PRODUCT HAS NOT COMPLETED VALIDATION/QUALIFICATION TESTING

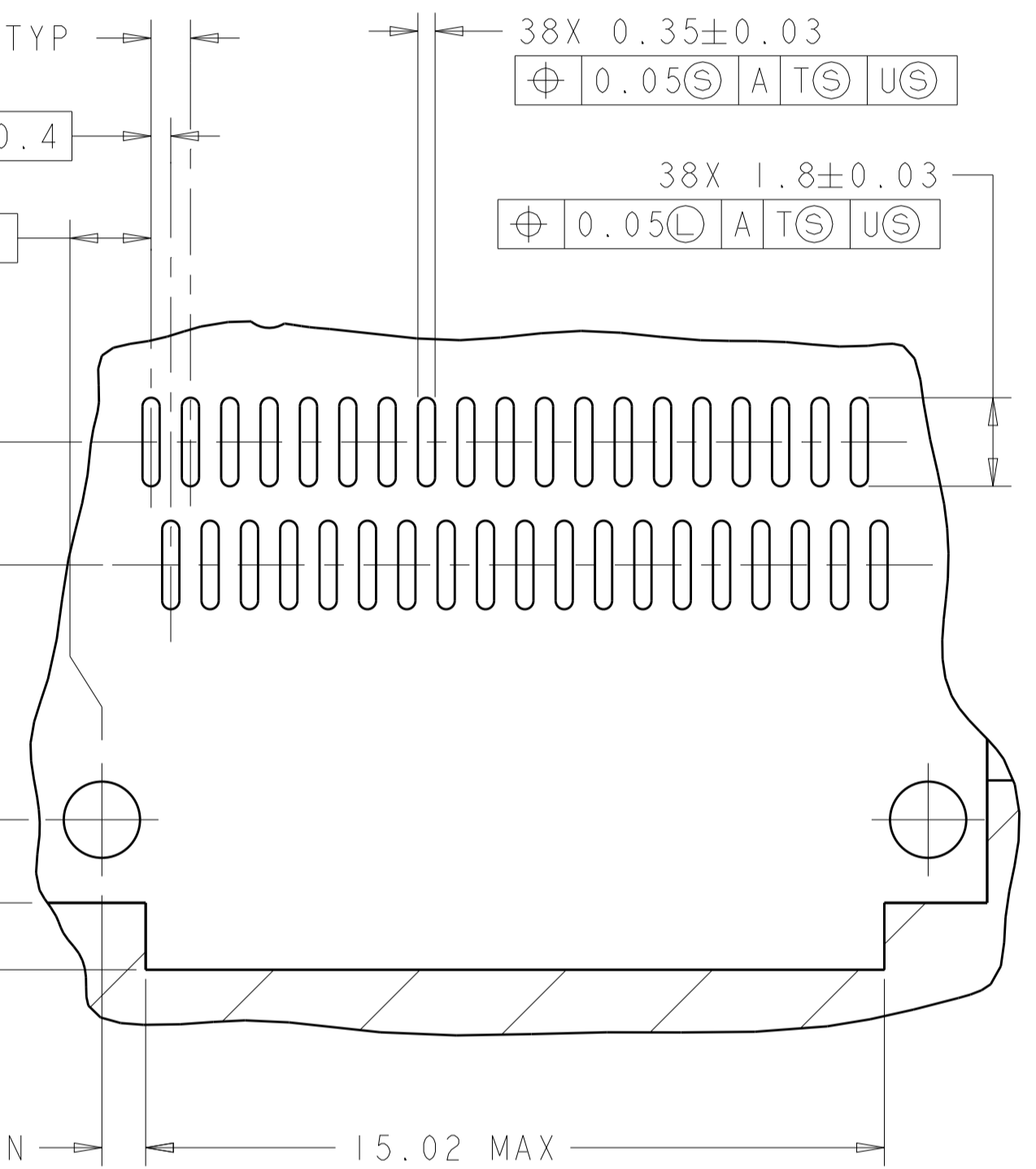
THIS DRAWING IS A CONTROLLED DOCUMENT.		OWN: RINSEN SUN 29FEB2012	TE Connectivity
DIMENSIONS: mm		CHK: DENNY ZHU 29FEB2012	
TOLERANCES UNLESS OTHERWISE SPECIFIED:		APVD: ALEY CAI 29FEB2012	NAME: 1X4 CAGE ASSEMBLY, THRU BEZEL, W/ELASTOMERIC GASKET AND HEAT SINKS, QSFP
0 PLC	±	PRODUCT SPEC	SIZE: CAGE CODE DRAWING NO
1 PLC	±0.35	108-2286	RESTRICTED TO
2 PLC	±0.25	APPLICATION SPEC	A100779C=2170287
3 PLC	±	114-13217	SCALE 1:1 SHEET 6 OF 8 REV A
4 PLC	±	WEIGHT	
ANGLES	±	CUSTOMER DRAWING	
MATERIAL			
FINISH			

LOC	DIST	REV	DATE	BY	APPV
GP	00				

REVISIONS			
NO.	DESCRIPTION	DATE	BY
1	SEE SHEET 1		



DETAIL M
SCALE 10:1

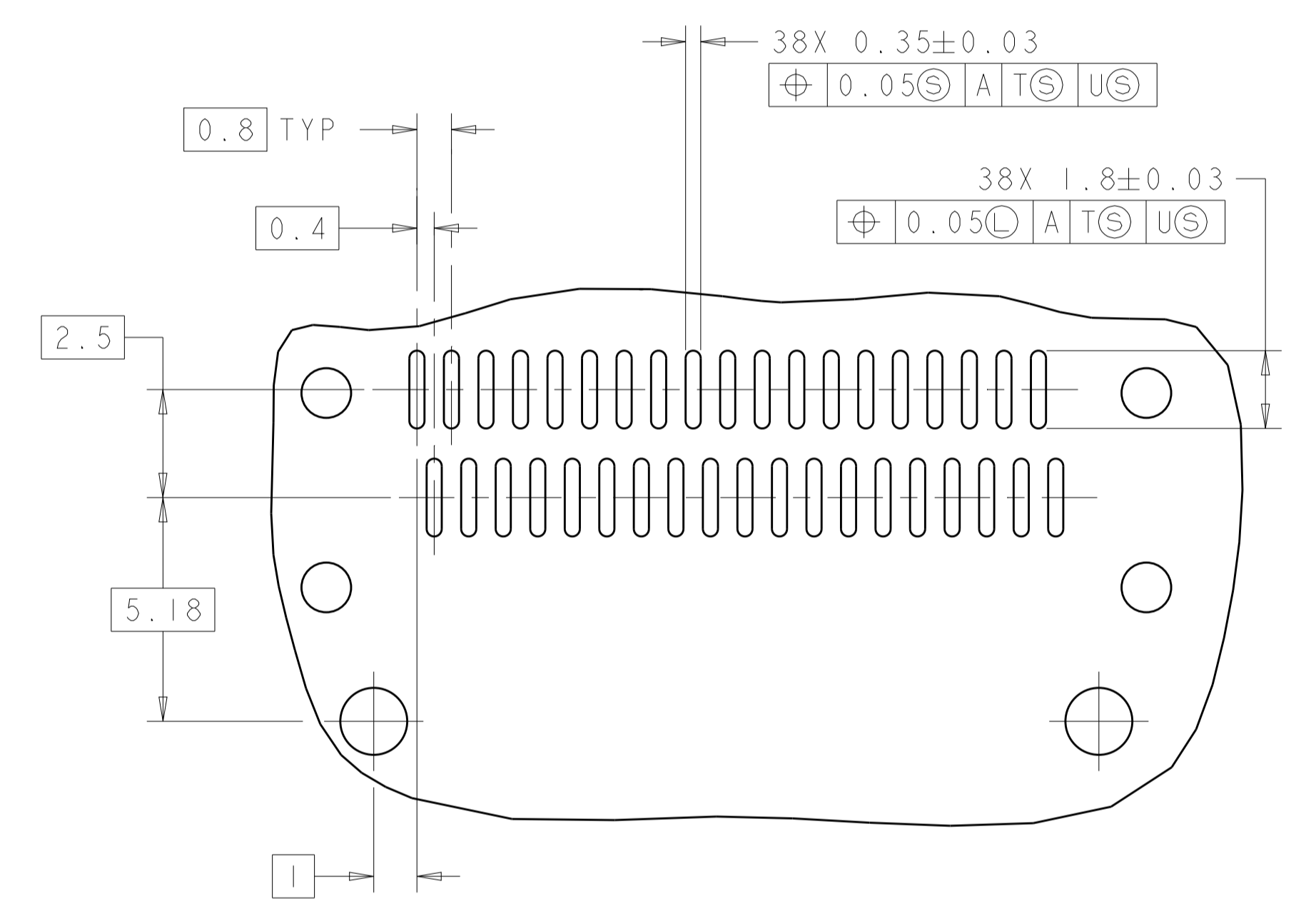
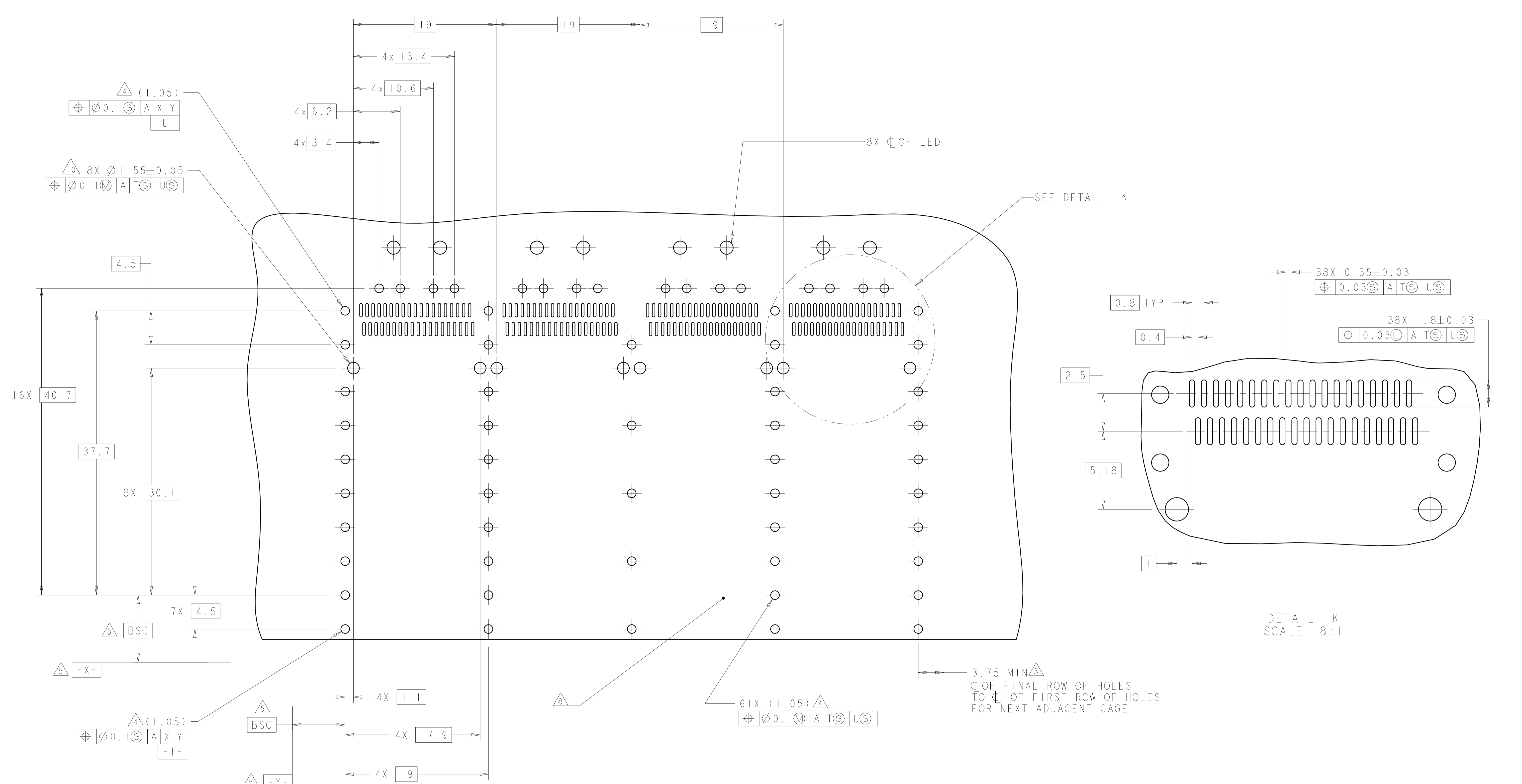


DETAIL J
3 PLACES
SCALE 8:1

RECOMMENDED PC BOARD LAYOUT
 SINGLE SIDE MOUNT CONFIGURATION FOR 1-2170287-1
 SCALE 4:1

THIS DRAWING IS A CONTROLLED DOCUMENT.		OWN: KINSEN SUN 29FEB2012	TE Connectivity
DIMENSIONS: mm		CHK: DENNY ZHU 29FEB2012	
TOLERANCES UNLESS OTHERWISE SPECIFIED:		APVD: ALEY CAI 29FEB2012	NAME: 1X4 CAGE ASSEMBLY, THRU BEZEL, W/ELASTOMERIC GASKET AND HEAT SINKS, QSFP
0 PLC	±	PRODUCT SPEC	SIZE: CAGE CODE DRAWING NO
1 PLC	±0.35	108-2286	RESTRICTED TO
2 PLC	±0.25	APPLICATION SPEC	A100779C=2170287
3 PLC	±	114-13217	SCALE: 1:1 SHEET 7 OF 8 REV A
4 PLC	±	WEIGHT	
ANGLES	±	CUSTOMER DRAWING	
MATERIAL			
FINISH			

LOC	DIST	REVISIONS					
GP	00	P.	LTN	DESCRIPTION	DATE	DMN	APVD
		-		SEE SHEET 1			



RECOMMENDED PCB BOARD LAYOUT
 BELLY TO BELLY CONFIGURATION
 SEE SHEET 4 FOR COMPONENT AND TRACE KEEP-OUTS
 SCALE 4:1

THIS PRODUCT HAS NOT COMPLETED VALIDATION/QUALIFICATION TESTING

THIS DRAWING IS A CONTROLLED DOCUMENT.		DMN: KINSEN SUN 29FEB2012	TE Connectivity
DIMENSIONS: mm		CHK: DENNY ZHU 29FEB2012	
TOLERANCES UNLESS OTHERWISE SPECIFIED:		APVD: ALEY CAI 29FEB2012	NAME: 1X4 CAGE ASSEMBLY, THRU BEZEL, W/ELASTOMERIC GASKET AND HEAT SINKS, QSFP
0 PLC ± 0.35		PRODUCT SPEC: 108-2286	
1 PLC ± 0.25		APPLICATION SPEC: 114-13217	SIZE: A1 CAGE CODE: C=2170287
2 PLC \pm		WEIGHT: -	
3 PLC \pm		CUSTOMER DRAWING	RESTRICTED TO: -
4 PLC \pm		SCALE: 1:1	SHEET: 8 OF 8
ANGLES \pm			REV: A
FINISH			