



Chipsmall Limited consists of a professional team with an average of over 10 year of expertise in the distribution of electronic components. Based in Hongkong, we have already established firm and mutual-benefit business relationships with customers from,Europe,America and south Asia,supplying obsolete and hard-to-find components to meet their specific needs.

With the principle of "Quality Parts,Customers Priority,Honest Operation,and Considerate Service",our business mainly focus on the distribution of electronic components. Line cards we deal with include Microchip,ALPS,ROHM,Xilinx,Pulse,ON,Everlight and Freescale. Main products comprise IC,Modules,Potentiometer,IC Socket,Relay,Connector.Our parts cover such applications as commercial,industrial, and automotives areas.

We are looking forward to setting up business relationship with you and hope to provide you with the best service and solution. Let us make a better world for our industry!



Contact us

Tel: +86-755-8981 8866 Fax: +86-755-8427 6832

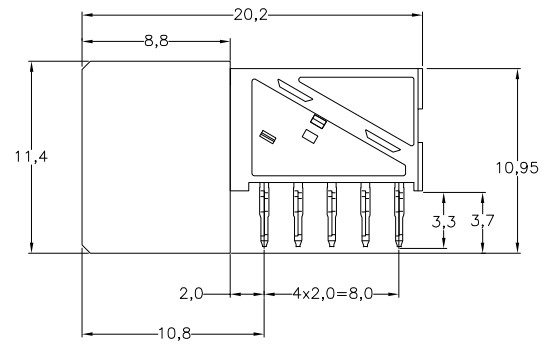
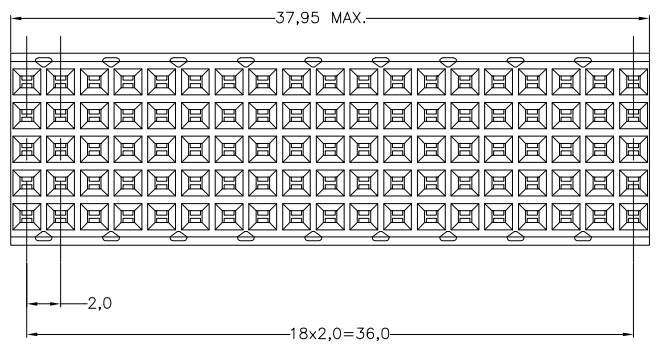
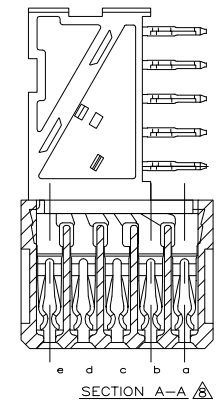
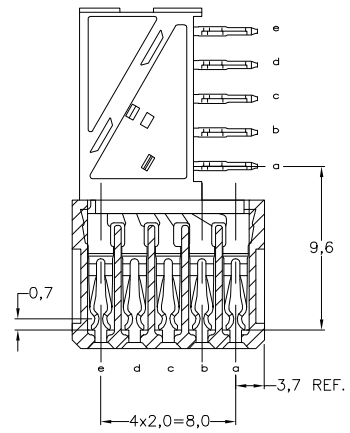
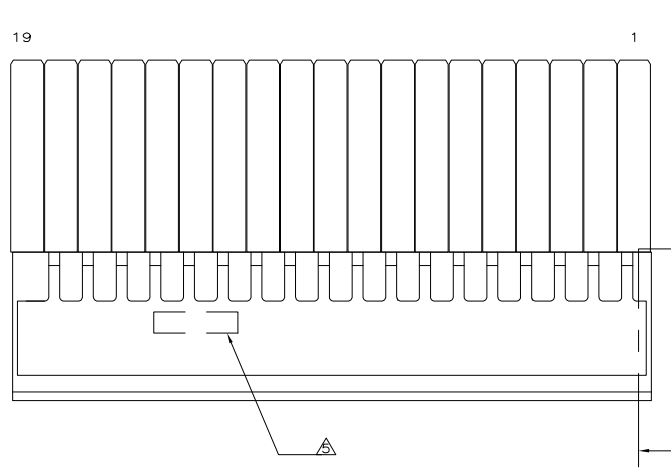
Email & Skype: info@chipsmall.com Web: www.chipsmall.com

Address: A1208, Overseas Decoration Building, #122 Zhenhua RD., Futian, Shenzhen, China

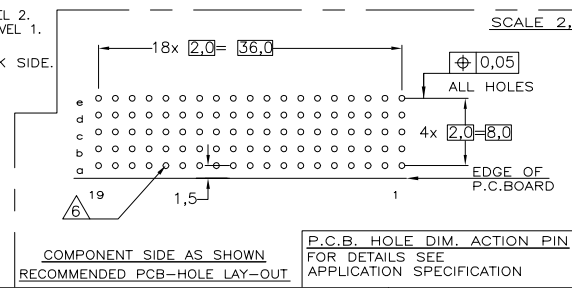


THIS DRAWING IS UNPUBLISHED. RELEASED FOR PUBLICATION
 © COPYRIGHT - By - ALL RIGHTS RESERVED.

LOC		DIST		REVISIONS			
P	LTR	DESCRIPTION	DATE	OWN	APP'D		
ES	00						
A		INITIAL RELEASE	14AUG2012	SY	AC		



- NOTES:**
- ⚠ MATERIAL CONTACT; PHOSPHORBRONZE
MATERIAL HOUSING;
GLASSFILLED POLYESTER UL-RATING 94VO (GRAY)
 - ⚠ GENERAL PLATING SPECIFICATION; UNDERPLATING (ENTIRE CONTACT): 1,27μm NICKEL MIN. AND ACTION PIN: 0,5μm TIN-LEAD MIN.
FOR PLATING OF MATING SURFACES SEE APPLICABLE SPECIFICATION REFERENCE FOR EACH DASH NUMBER.
 - ⚠ CONFORMS TO ALL TESTING ACCORDING IEC 61076-4-101 PERFORMANCE LEVEL 2.
 - ⚠ CONFORMS TO ALL TESTING ACCORDING IEC 61076-4-101 PERFORMANCE LEVEL 1.
 - ⚠ CONNECTOR PRINTED WITH PARTNUMBER AND DATECODE
THE MARKING CAN APPEAR ON THE FRONT SIDE OR ON THE BACK SIDE.
 - ⚠ PLATED-THROUGH HOLES AT 2x2mm SQUARE GRID. 95 HOLES
FITS WITH INTEGRATED GROUND RETURN UPSHIELD,
BASIC P.N. 352028
AND INTEGRATED GROUND RETURN LOWERSHIELD,
BASIC P.N. 352029
 - ⚠ CONNECTOR ASSEMBLED WITH ALTERNATE FEMALE CONTACTS.
1,27μm MIN GOLD PLATING AT MATING SURFACES, NO LUBRICANT.



THIS DRAWING IS A CONTROLLED DOCUMENT.

DIMENSIONS:	TOLERANCES UNLESS OTHERWISE SPECIFIED:
mm	
0-PLC	±
1-PLC	±
2-PLC	±
3-PLC	±
4-PLC	±
ANGLES:	
FINISH:	

FINISH	MATERIAL	2170349-5
PARTNUMBER		
DWN SANDERS YAN 10MAY2012 OK - APVD ALEX CAL 10MAY2012 PRODUCT SPEC 108-19082 APPLICATION SPEC 114-19029 WEIGHT - CUSTOMER DRAWING		
NAME Z-PACK 2MM HM 95 POS. (19 COLUMNS) FEMALE DAUGHTER CARD CONNECTOR		TE Connectivity RESTRICTED TO - SCALE NTS SHEET 1 of 1 REV A
SIZE A2	CAGE CODE 00779	DRAWING NO. ©=2170349