



Chipsmall Limited consists of a professional team with an average of over 10 year of expertise in the distribution of electronic components. Based in Hongkong, we have already established firm and mutual-benefit business relationships with customers from,Europe,America and south Asia,supplying obsolete and hard-to-find components to meet their specific needs.

With the principle of “Quality Parts,Customers Priority,Honest Operation,and Considerate Service”,our business mainly focus on the distribution of electronic components. Line cards we deal with include Microchip,ALPS,ROHM,Xilinx,Pulse,ON,Everlight and Freescale. Main products comprise IC,Modules,Potentiometer,IC Socket,Relay,Connector.Our parts cover such applications as commercial,industrial, and automotives areas.

We are looking forward to setting up business relationship with you and hope to provide you with the best service and solution. Let us make a better world for our industry!



Contact us

Tel: +86-755-8981 8866 Fax: +86-755-8427 6832

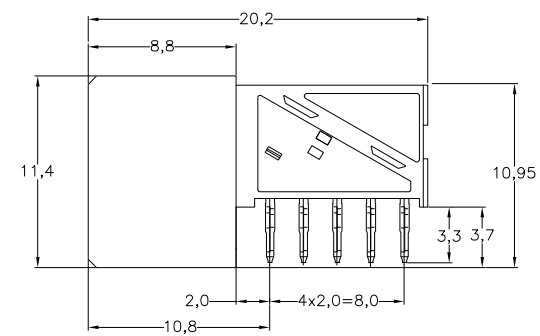
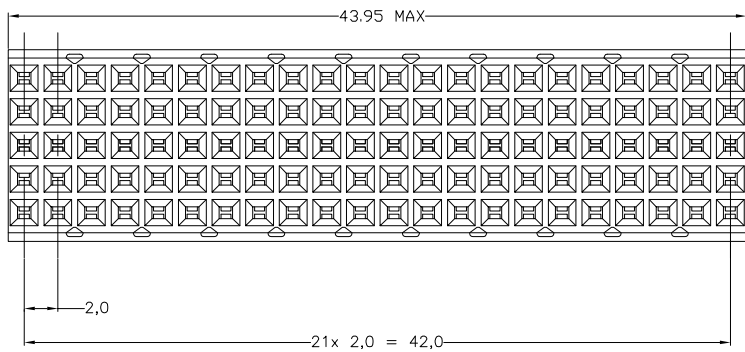
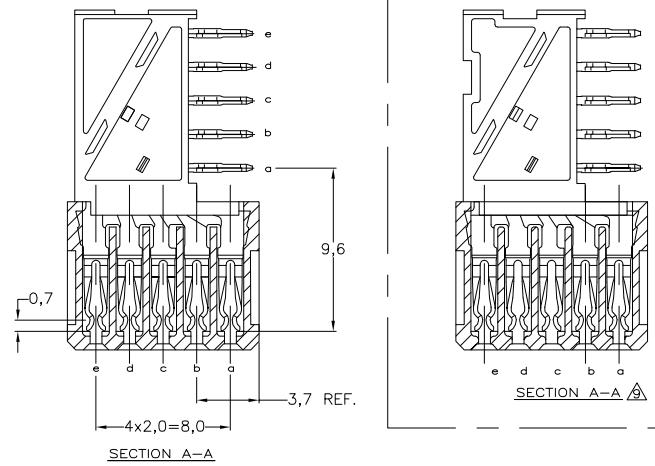
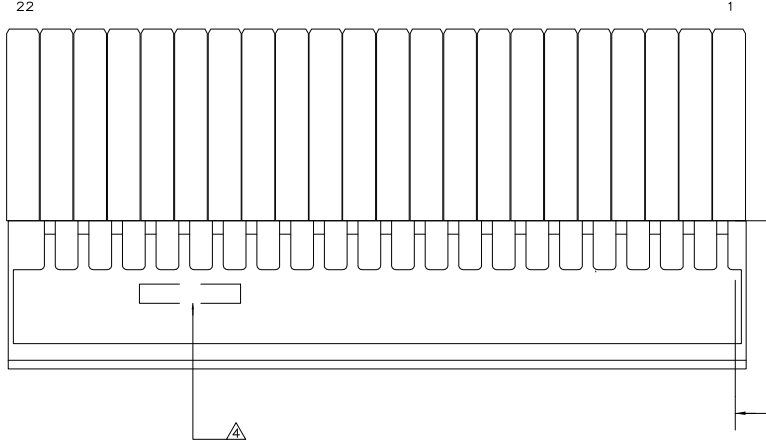
Email & Skype: info@chipsmall.com Web: www.chipsmall.com

Address: A1208, Overseas Decoration Building, #122 Zhenhua RD., Futian, Shenzhen, China

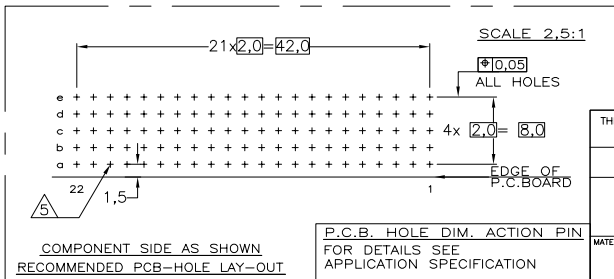


THIS DRAWING IS UNPUBLISHED. RELEASED FOR PUBLICATION. ALL RIGHTS RESERVED.

LOC	DIST	REVISIONS					
ES	00	#	LR	DESCRIPTION	DATE	DWN	APVD
		A		INITIAL RELEASE	14AUG2012	SY	AC



- NOTES:
- ⚠ MATERIAL CONTACT; PHOSPHORBRONZE
MATERIAL HOUSING; GLASSFILLED POLYESTER (GRAY)
UL-RATING 94V0.
 - ⚠ GENERAL PLATING SPECIFICATION: UNDERPLATING (ENTIRE CONTACT):
1,27µm NICKEL MIN. AND ACTION PIN: 0,5µm TIN-LEAD MIN.
FOR PLATING OF MATING SURFACES SEE APPLICABLE SPECIFICATION
REFERENCE FOR EACH DASH NUMBER.
 - ⚠ CONFORMS TO ALL TESTING ACCORDING IEC 61076-4-101
PERFORMANCE LEVEL 1.
 - ⚠ CONNECTOR PRINTED WITH PARTNUMBER AND DATECODE
 - ⚠ PLATED-THROUGH HOLES AT 2x2mm SQUARE GRID. 110 HOLES
 - 6 FITS WITH INTEGRATED GROUND RETURN UPPERSHIELD
BASIC P.N. 352151
 - ⚠ CONNECTOR TESTED AND QUALIFIED AGAINST TELCORDIA
GR-1217-CORE QUALITY LEVEL III, CENTRAL OFFICE APPLICATIONS.
1,27µm MIN GOLD PLATING AT MATING SURFACES, NO LUBRICANT.
 - ⚠ CONNECTOR ASSEMBLED WITH ALTERNATE FEMALE CONTACTS.



THIS DRAWING IS A CONTROLLED DOCUMENT.		FINISH		MATERIAL		PARTNUMBER	
DWN SANDERS YAN 28MAY2012		28MAY2012		2170350-5		9	
APVD ALEX CAI		NAME		TE Connectivity			
PRODUCT SPEC 108-19082		Z-PACK 2MM HM		110 POS. FEMALE DAUGHTER CARD CONN. (22 COLUMNS)			
APPLICATION SPEC 114-19029		SIZE		CAGE CODE		DRAWING NO	
WEIGHT		A2		00779		C=2170350	
CUSTOMER DRAWING		SCALE		NTS		SHEET 1 of 1	
						REV A	