



Chipsmall Limited consists of a professional team with an average of over 10 year of expertise in the distribution of electronic components. Based in Hongkong, we have already established firm and mutual-benefit business relationships with customers from,Europe,America and south Asia,supplying obsolete and hard-to-find components to meet their specific needs.

With the principle of “Quality Parts,Customers Priority,Honest Operation,and Considerate Service”,our business mainly focus on the distribution of electronic components. Line cards we deal with include Microchip,ALPS,ROHM,Xilinx,Pulse,ON,Everlight and Freescale. Main products comprise IC,Modules,Potentiometer,IC Socket,Relay,Connector.Our parts cover such applications as commercial,industrial, and automotives areas.

We are looking forward to setting up business relationship with you and hope to provide you with the best service and solution. Let us make a better world for our industry!



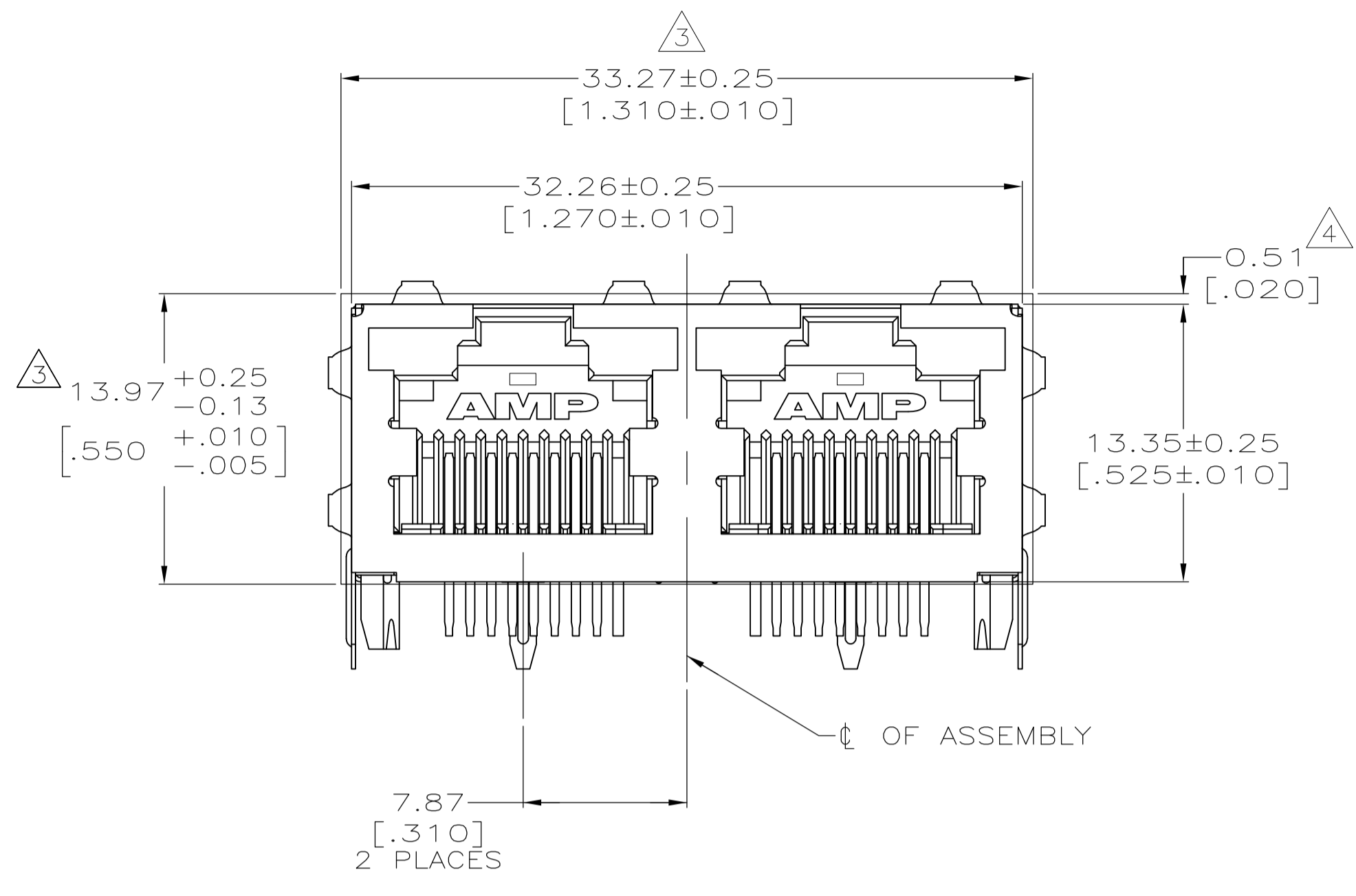
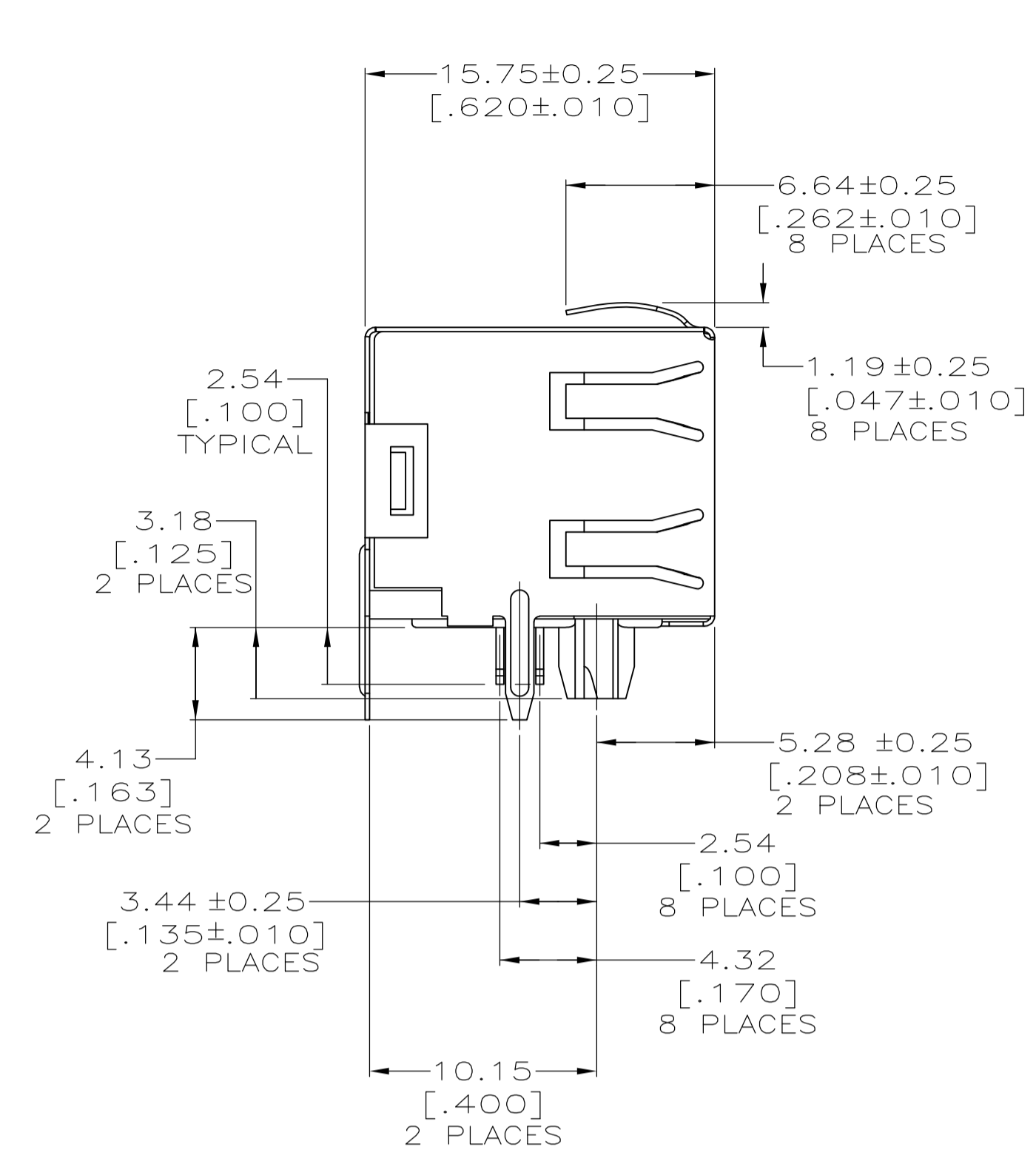
## Contact us

Tel: +86-755-8981 8866 Fax: +86-755-8427 6832

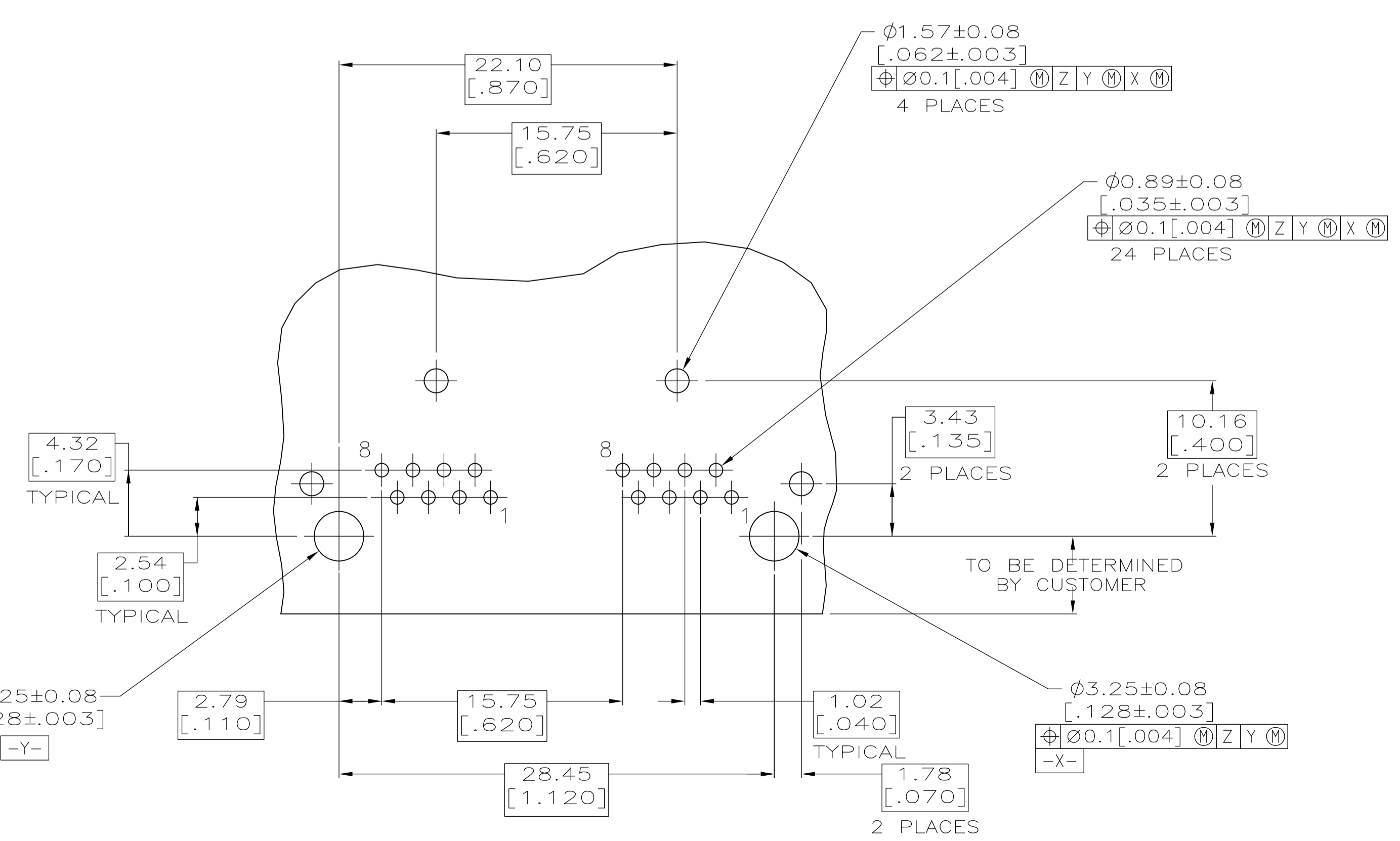
Email & Skype: info@chipsmall.com Web: www.chipsmall.com

Address: A1208, Overseas Decoration Building, #122 Zhenhua RD., Futian, Shenzhen, China





- △ MATERIAL: POLYESTER LCP  
BLACK, UL94V-0; LEAD FREE IR REFLOW SOLDERING PROCESS COMPATIBLE.  
TERMINALS - 0.36[.014] THICK PHOS BRONZE PLATED WITH 3.81µm[.000150] MINIMUM THICK MATTE TIN IN SOLDER AREA. 1.27µm [.000050] MINIMUM GOLD IN LOCALIZED PLATE AREA. ENTIRE TERMINAL PLATED WITH 1.27µm [.000050] MINIMUM THICK NICKEL.  
SHIELD - 0.196[.0077] THICK COPPER ZINC ALLOY PREPLATED WITH 1.27µm[.000050] MINIMUM SATIN NICKEL WITH 2.03µm[.000080] MINIMUM TIN POST DIPPED ON PCB GROUND TABS.
- 2. JACK CAVITY CONFORMS TO FCC RULES AND REGULATIONS PART 68, SUBPART F.
- △ SUGGESTED PANEL OPENING DIMENSIONS.
- △ SUGGESTED CLEARANCE BETWEEN TOP OF CONNECTOR AND TOP PANEL OPENING.
- △ THE CUSTOMER FEEDING DIRECTION IS THE OPPOSITE DIRECTION WITH 2170358-1



SUGGESTED PRINTED CIRCUIT BOARD LAYOUT (COMPONENT SIDE)

TAPE&REEL	2170358-2
TAPE&REEL	2170358-1
PACKAGE	PART NUMBER

THIS DRAWING IS A CONTROLLED DOCUMENT.		DIN J. JEREMY 29JUN2012		TE Connectivity	
DIMENSIONS: mm [INCHES]		C/K J. JEREMY 29JUN2012			
TOLERANCES UNLESS OTHERWISE SPECIFIED:		APVD G. ALEX 29JUN2012		NAME	
0 PLC ± -		PRODUCT SPEC		INVERTED MODULAR JACK ASSEMBLY, 1X2, SHIELDED, PANEL GROUND	
1 PLC ± -		APPLICATION SPEC		SIZE	
2 PLC ± 0.25[.01]		108-1163-4		CAGE CODE	
3 PLC ± 0.13[.005]		114-2154		DRAWING NO	
4 PLC ± -		WEIGHT		RESTRICTED TO	
ANGLES ± -		A1 00779		DRAWING NO	
		CUSTOMER DRAWING		SCALE 4:1 SHEET 1 OF 1 REV A	