



Chipsmall Limited consists of a professional team with an average of over 10 year of expertise in the distribution of electronic components. Based in Hongkong, we have already established firm and mutual-benefit business relationships with customers from,Europe,America and south Asia,supplying obsolete and hard-to-find components to meet their specific needs.

With the principle of “Quality Parts,Customers Priority,Honest Operation,and Considerate Service”,our business mainly focus on the distribution of electronic components. Line cards we deal with include Microchip,ALPS,ROHM,Xilinx,Pulse,ON,Everlight and Freescale. Main products comprise IC,Modules,Potentiometer,IC Socket,Relay,Connector.Our parts cover such applications as commercial,industrial, and automotives areas.

We are looking forward to setting up business relationship with you and hope to provide you with the best service and solution. Let us make a better world for our industry!



Contact us

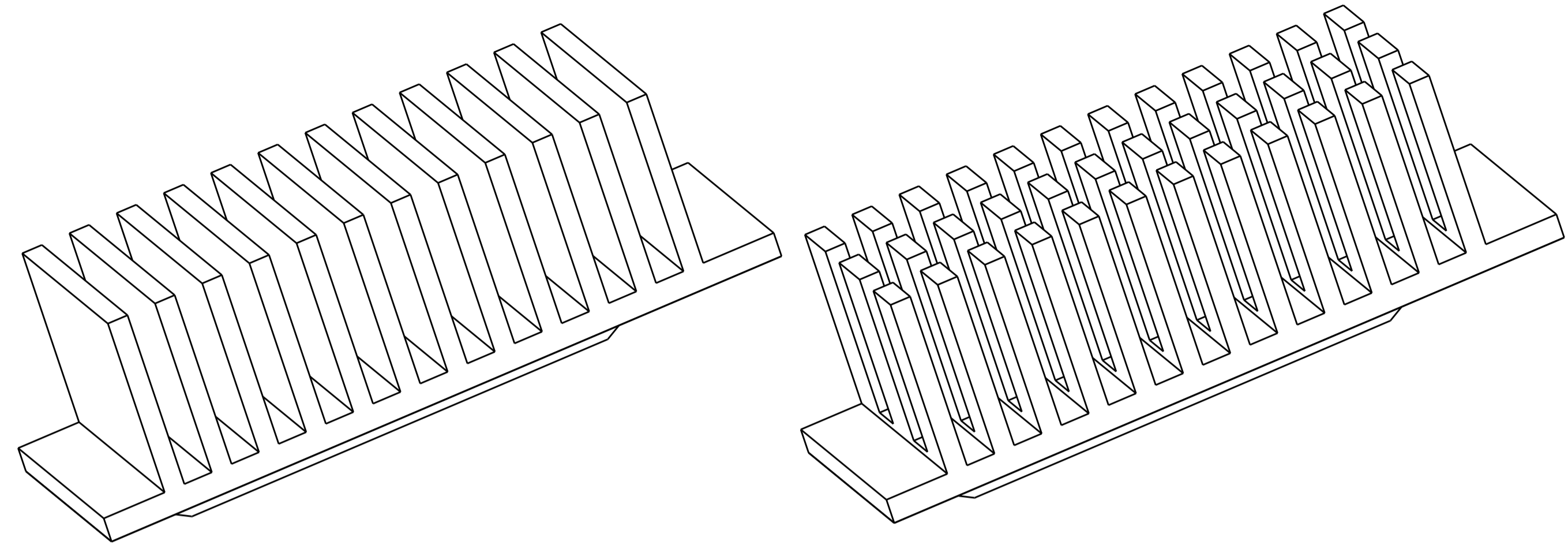
Tel: +86-755-8981 8866 Fax: +86-755-8427 6832

Email & Skype: info@chipsmall.com Web: www.chipsmall.com

Address: A1208, Overseas Decoration Building, #122 Zhenhua RD., Futian, Shenzhen, China



LOC		DIST		REVISIONS			
P	LTN	DESCRIPTION	DATE	DWN	APVD		
1		PRELIMINARY	17AUG2012	JY	AC		

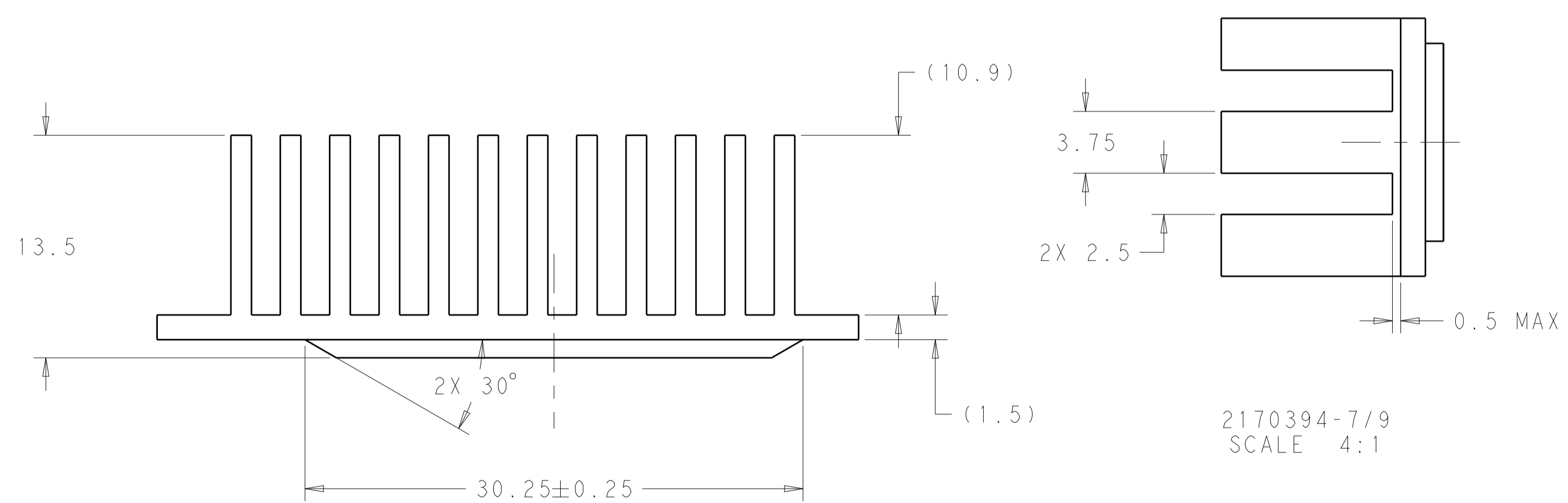
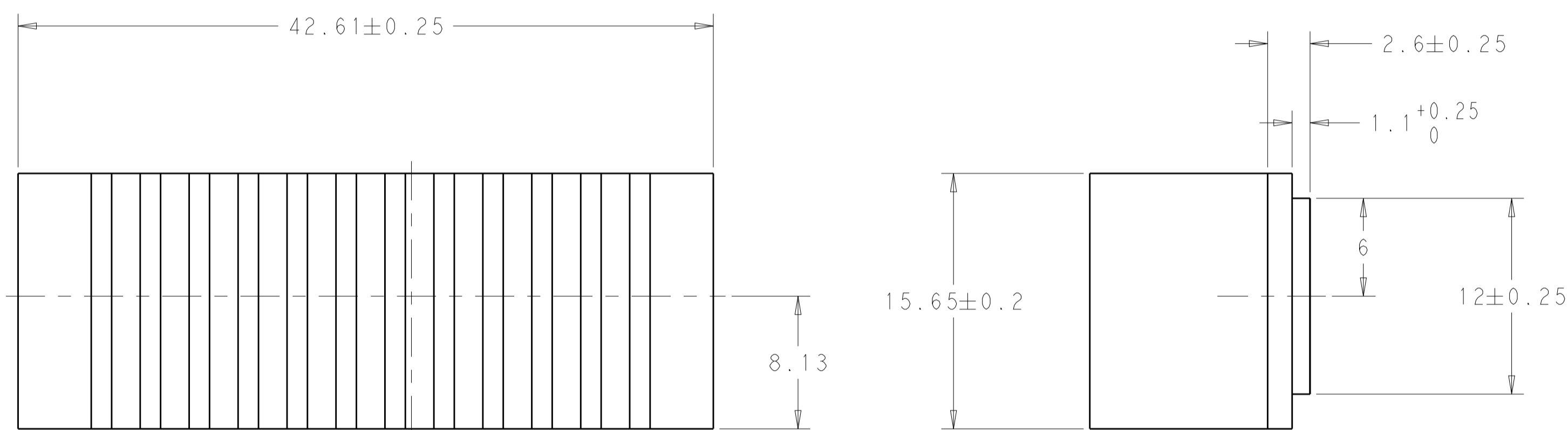


2170394-2/4
WO LIGHT PIPE SLOTS
SCALE 4:1

2170394-7/9
W LIGHT PIPE SLOTS
SCALE 4:1

NOTES:

- UNLESS OTHERWISE SPECIFIED
- ① MATERIAL: ALUMINUM.
- ② FINISH: ANODIZED BLACK.
- ③ FINISH: NICKEL PLATED.
- 4. INTERPRET DRAWING PER ASME Y14.5M - 1994.
- 5. 0,2mm MAX BURR.
- 6. VARIATION IN PLATING COLOR IS NORMAL AND ALLOWED.
- 7. RoHS COMPLIANT AND CERTIFIED.



2170394-7/9
SCALE 4:1

③	SALE PART	2170394-9
②	SALE PART	2170394-7
③	SALE PART	2170394-4
②	SALE PART	2170394-2
FINISH	DESCRIPTION	PART NUMBER

DIMENSIONS:		TOLERANCES UNLESS OTHERWISE SPECIFIED:		MATERIAL:		FINISH:		APPROVALS:		CUSTOMER DRAWING	
mm	0 PLC	±0.5						DWN	JASON YANG	17AUG2012	
	1 PLC	±0.5						CHK	ALEX CAI	17AUG2012	
	2 PLC	±0.25						APVD	ALEX CAI	17AUG2012	
	3 PLC	±						PRODUCT SPEC			
	4 PLC	±						APPLICATION SPEC			
	ANGLES	±						SIZE	CAGE CODE	DRAWING NO	RESTRICTED TO
								WEIGHT	A100779	C=2170394	
								SCALE	4:1	SHEET	1 OF 1
								REV			1



HEAT SINK, 13.5MM TALL
QSFP CAGE, GANGED