



Chipsmall Limited consists of a professional team with an average of over 10 year of expertise in the distribution of electronic components. Based in Hongkong, we have already established firm and mutual-benefit business relationships with customers from,Europe,America and south Asia,supplying obsolete and hard-to-find components to meet their specific needs.

With the principle of “Quality Parts,Customers Priority,Honest Operation,and Considerate Service”,our business mainly focus on the distribution of electronic components. Line cards we deal with include Microchip,ALPS,ROHM,Xilinx,Pulse,ON,Everlight and Freescale. Main products comprise IC,Modules,Potentiometer,IC Socket,Relay,Connector.Our parts cover such applications as commercial,industrial, and automotives areas.

We are looking forward to setting up business relationship with you and hope to provide you with the best service and solution. Let us make a better world for our industry!



Contact us

Tel: +86-755-8981 8866 Fax: +86-755-8427 6832

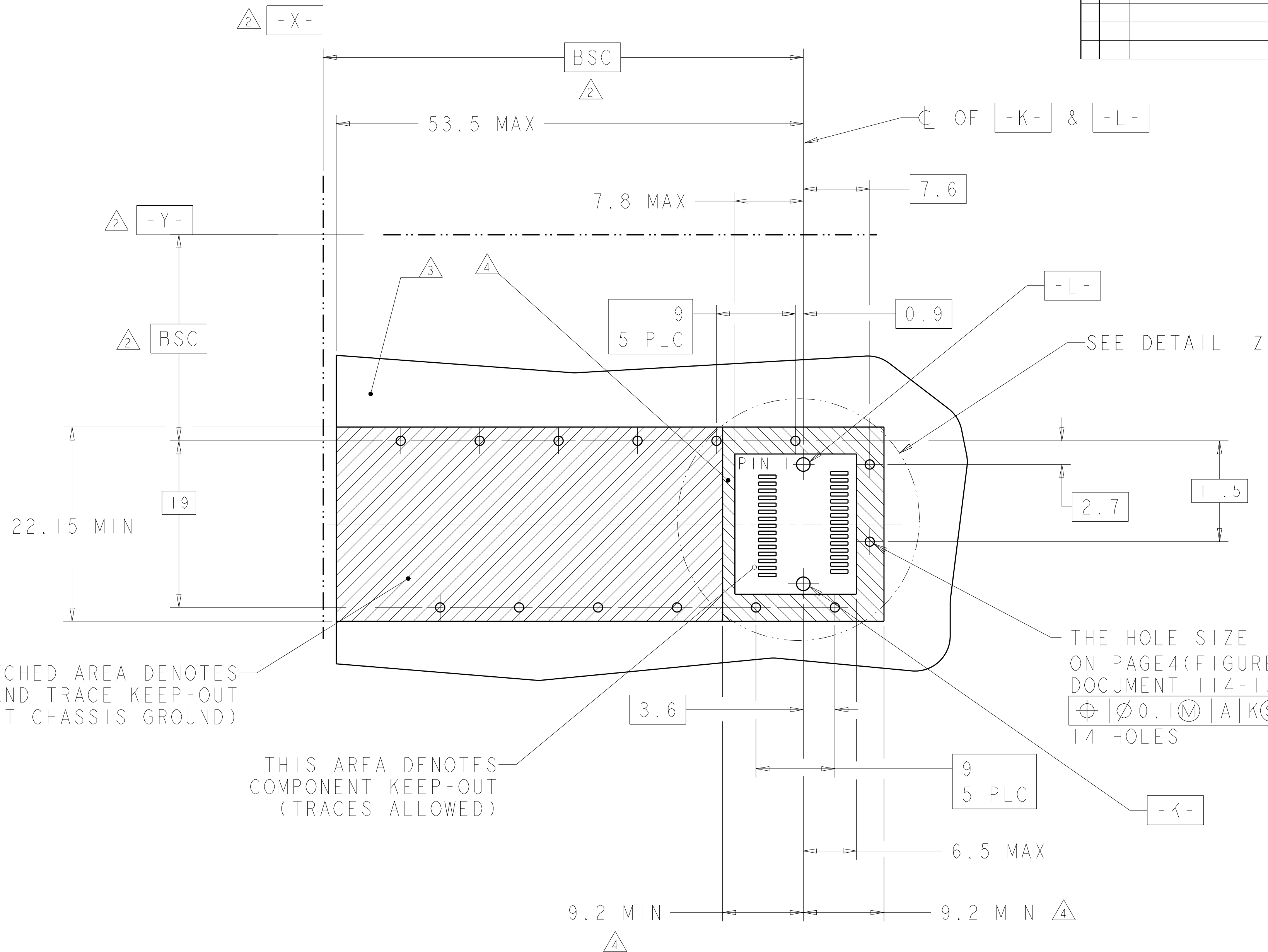
Email & Skype: info@chipsmall.com Web: www.chipsmall.com

Address: A1208, Overseas Decoration Building, #122 Zhenhua RD., Futian, Shenzhen, China



THIS DRAWING IS UNPUBLISHED. RELEASED FOR PUBLICATION 20
 © COPYRIGHT 20 BY - TE CONNECTIVITY ALL RIGHTS RESERVED.

LOC	DIST	REVISIONS			
P	LTR	DESCRIPTION	DATE	DWN	APVD
ES	00	SEE SHEET 1	-	-	-



CROSS-HATCHED AREA DENOTES COMPONENT AND TRACE KEEP-OUT (EXCEPT CHASSIS GROUND)

THIS AREA DENOTES COMPONENT KEEP-OUT (TRACES ALLOWED)

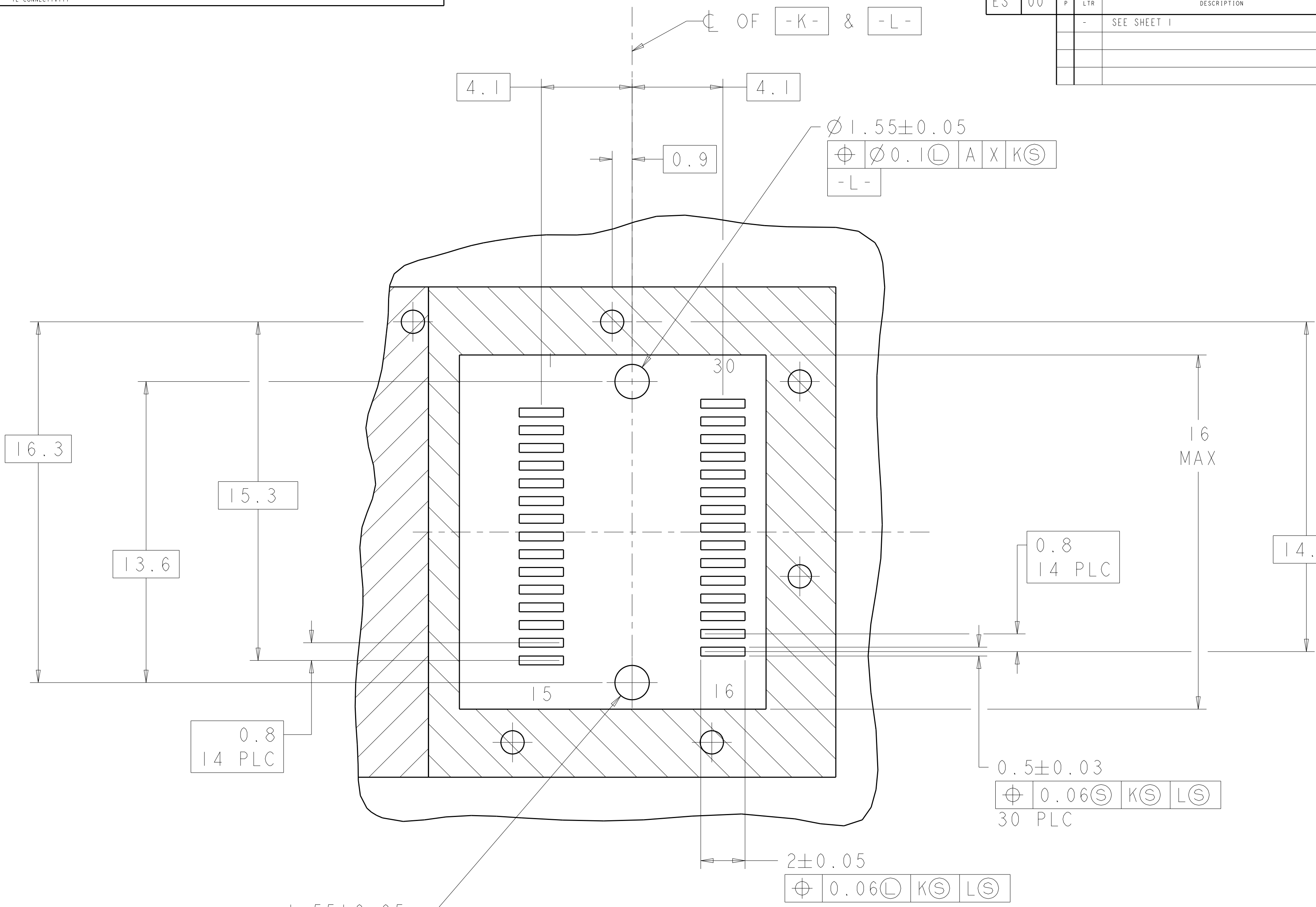
THE HOLE SIZE IS RECOMMENDED ON PAGE 4 (FIGURE 3) OF TE DOCUMENT 114-13096
 $\varnothing 0.1 \text{ (M)}$ | A | K | S | L | S
 14 HOLES

DETAILED HOST BOARD MECHANICAL LAYOUT

THIS DRAWING IS A CONTROLLED DOCUMENT.		DWN PETER PAN 01-Nov-16	STE TE Connectivity
DIMENSIONS: mm		CHK JASON YANG 01-Nov-16	
TOLERANCES UNLESS OTHERWISE SPECIFIED:		APVD ALEX CAI 01-Nov-16	NAME CAGE ASSEMBLY, 10 GIGABIT, XFP
0 PLC ±0.25	1 PLC ±0.25	PRODUCT SPEC 108-2127	SIZE CAGE CODE DRAWING NO RESTRICTED TO
2 PLC ±0.20	3 PLC ±	APPLICATION SPEC 114-13096	A200779 C-2170435
4 PLC ±	ANGLES ±5°	WEIGHT -	SCALE 1:1 SHEET 2 OF 3 REV A
MATERIAL -	FINISH -	CUSTOMER DRAWING	

THIS DRAWING IS UNPUBLISHED. RELEASED FOR PUBLICATION 20
 © COPYRIGHT 20 BY - TE CONNECTIVITY ALL RIGHTS RESERVED.

LOC	DIST	REVISIONS					
ES	00	P	LTR	DESCRIPTION	DATE	DWN	APVD
		-		SEE SHEET 1	-	-	-



1.55 ± 0.05
 $\phi 0.1 \text{ (L) A X Y}$
 -K-

DETAIL Z
 SCALE 8:1

DETAILED HOST BOARD MECHANICAL LAYOUT

THIS DRAWING IS A CONTROLLED DOCUMENT.		DWN PETER PAN 01-Nov-16	TE Connectivity	
		CHK JASON YANG 01-Nov-16		
		APVD ALEX CAI 01-Nov-16	NAME CAGE ASSEMBLY, 10 GIGABIT, XFP	
DIMENSIONS: mm		PRODUCT SPEC 108-2127	SIZE CAGE CODE DRAWING NO RESTRICTED TO	
TOLERANCES UNLESS OTHERWISE SPECIFIED:		APPLICATION SPEC 114-13096	A200779 C-2170435	
MATERIAL		WEIGHT	SCALE 4:1 SHEET 3 OF 3 REV A	
		CUSTOMER DRAWING		