



Chipsmall Limited consists of a professional team with an average of over 10 year of expertise in the distribution of electronic components. Based in Hongkong, we have already established firm and mutual-benefit business relationships with customers from,Europe,America and south Asia,supplying obsolete and hard-to-find components to meet their specific needs.

With the principle of "Quality Parts,Customers Priority,Honest Operation,and Considerate Service",our business mainly focus on the distribution of electronic components. Line cards we deal with include Microchip,ALPS,ROHM,Xilinx,Pulse,ON,Everlight and Freescale. Main products comprise IC,Modules,Potentiometer,IC Socket,Relay,Connector.Our parts cover such applications as commercial,industrial, and automotives areas.

We are looking forward to setting up business relationship with you and hope to provide you with the best service and solution. Let us make a better world for our industry!



Contact us

Tel: +86-755-8981 8866 Fax: +86-755-8427 6832

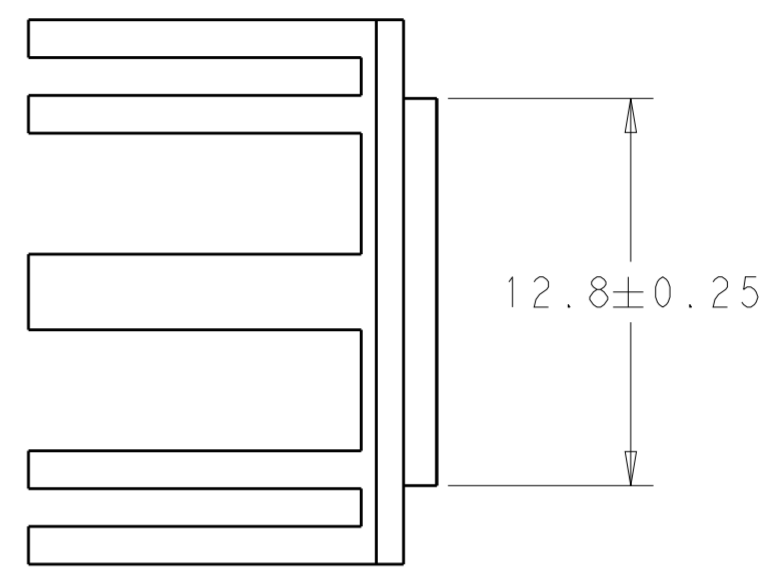
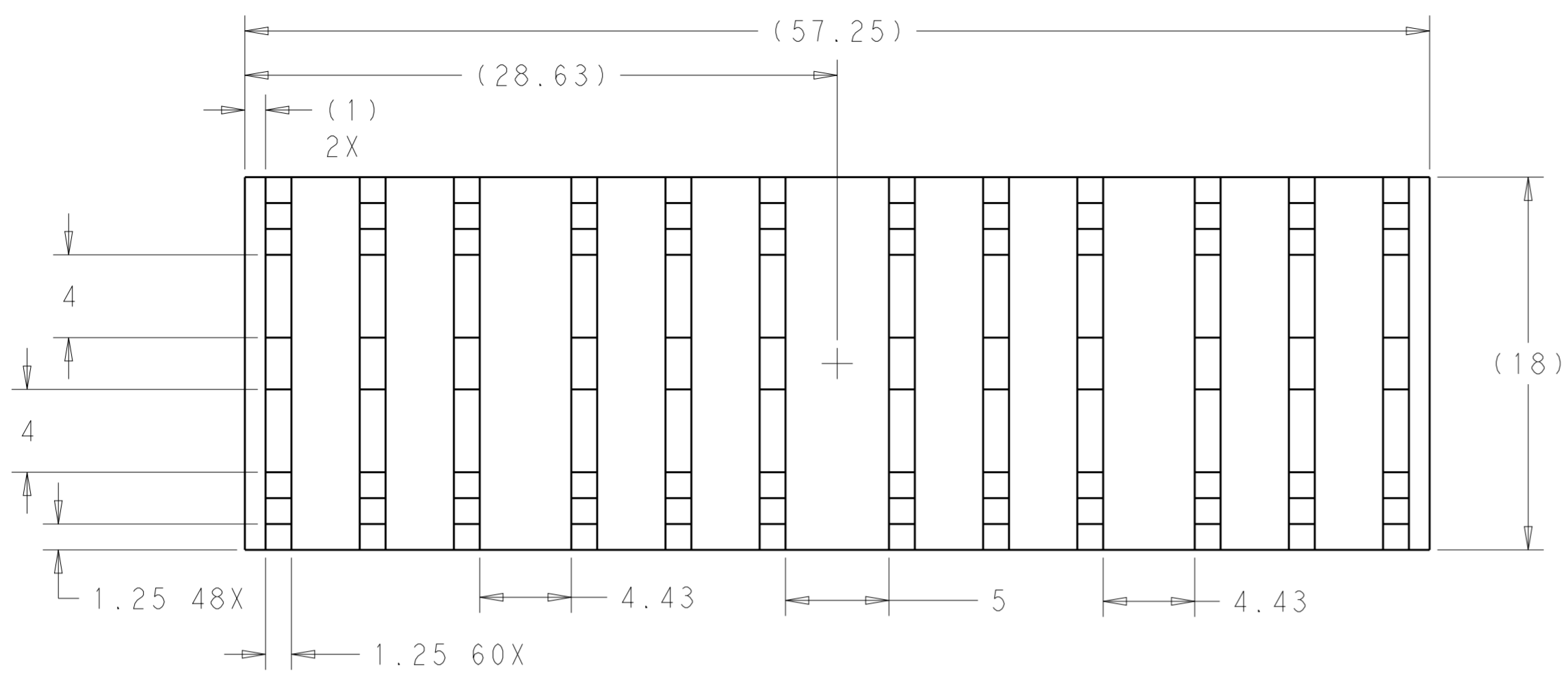
Email & Skype: info@chipsmall.com Web: www.chipsmall.com

Address: A1208, Overseas Decoration Building, #122 Zhenhua RD., Futian, Shenzhen, China

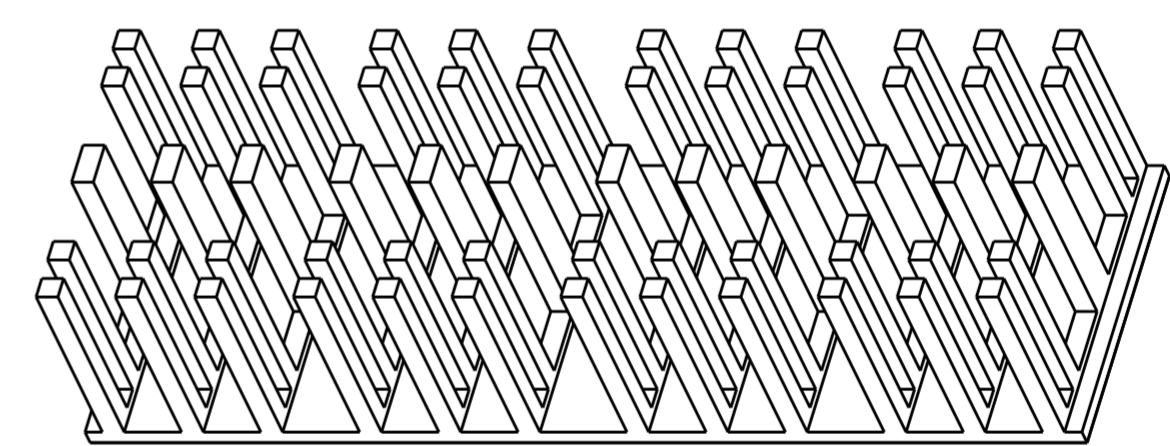
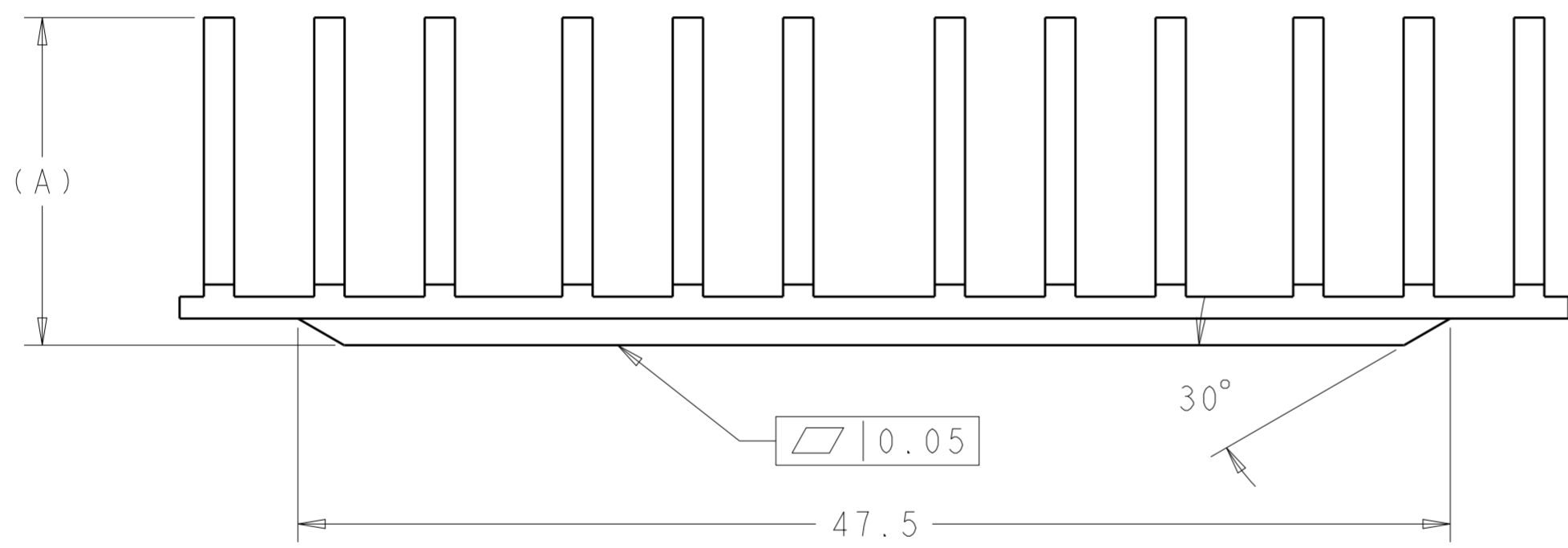


THIS DRAWING IS UNPUBLISHED. RELEASED FOR PUBLICATION 20
 © COPYRIGHT 20 BY - ALL RIGHTS RESERVED.

LOC		DIST		REVISIONS			
P	LTR	DESCRIPTION	DATE	DWN	APVD		
	A	MASS PRODUCTION	03NOV2016	PP	SH		



SCALE 4:1



SCALE 5:2

NOTES: UNLESS OTHERWISE SPECIFIED:

- 1. MATERIAL: ALUMINUM
- 2. INTERPRET DRAWING PER ASME Y14.5M - 1994.
- 3. FINISH: ANODIZED BLACK
- 4. FINISH: NICKEL PLATED
- 5. 0.20mm MAX BURR
- 6. VARIATION IN PLATING COLOR IS NORMAL AND ALLOWD
- 7. RoHS COMPLIANT AND CERTIFIED

12.7	4	1	2170488-8
12.7	3	1	2170488-6
13.5	4	1	2170488-4
13.5	3	1	2170488-2
DIM A	FINISH	MATERIAL	PART NUMBER

THIS DRAWING IS A CONTROLLED DOCUMENT.		DWN ROBERT 06 JAN 2013	TE Connectivity	
DIMENSIONS: mm		CHK JASON 06 JAN 2013		
TOLERANCES UNLESS OTHERWISE SPECIFIED:		APVD ALEX CAI 06 JAN 2013	NAME XFP, MSA NET WORK HEATSINK WITH LIGHT PIPE SLOT	
0 PLC ± 1 PLC ±0.25 2 PLC ±0.15 3 PLC ± 4 PLC ± ANGLES ±3 FINISH		PRODUCT SPEC	SIZE CAGE CODE DRAWING NO RESTRICTED TO	
MATERIAL ALUMINUM		APPLICATION SPEC	A200779 C-2170488	
		WEIGHT	SCALE 1:1 SHEET 1 OF 1 REV A	
		CUSTOMER DRAWING		