



Chipsmall Limited consists of a professional team with an average of over 10 year of expertise in the distribution of electronic components. Based in Hongkong, we have already established firm and mutual-benefit business relationships with customers from,Europe,America and south Asia,supplying obsolete and hard-to-find components to meet their specific needs.

With the principle of “Quality Parts,Customers Priority,Honest Operation,and Considerate Service”,our business mainly focus on the distribution of electronic components. Line cards we deal with include Microchip,ALPS,ROHM,Xilinx,Pulse,ON,Everlight and Freescale. Main products comprise IC,Modules,Potentiometer,IC Socket,Relay,Connector.Our parts cover such applications as commercial,industrial, and automotives areas.

We are looking forward to setting up business relationship with you and hope to provide you with the best service and solution. Let us make a better world for our industry!



Contact us

Tel: +86-755-8981 8866 Fax: +86-755-8427 6832

Email & Skype: info@chipsmall.com Web: www.chipsmall.com

Address: A1208, Overseas Decoration Building, #122 Zhenhua RD., Futian, Shenzhen, China

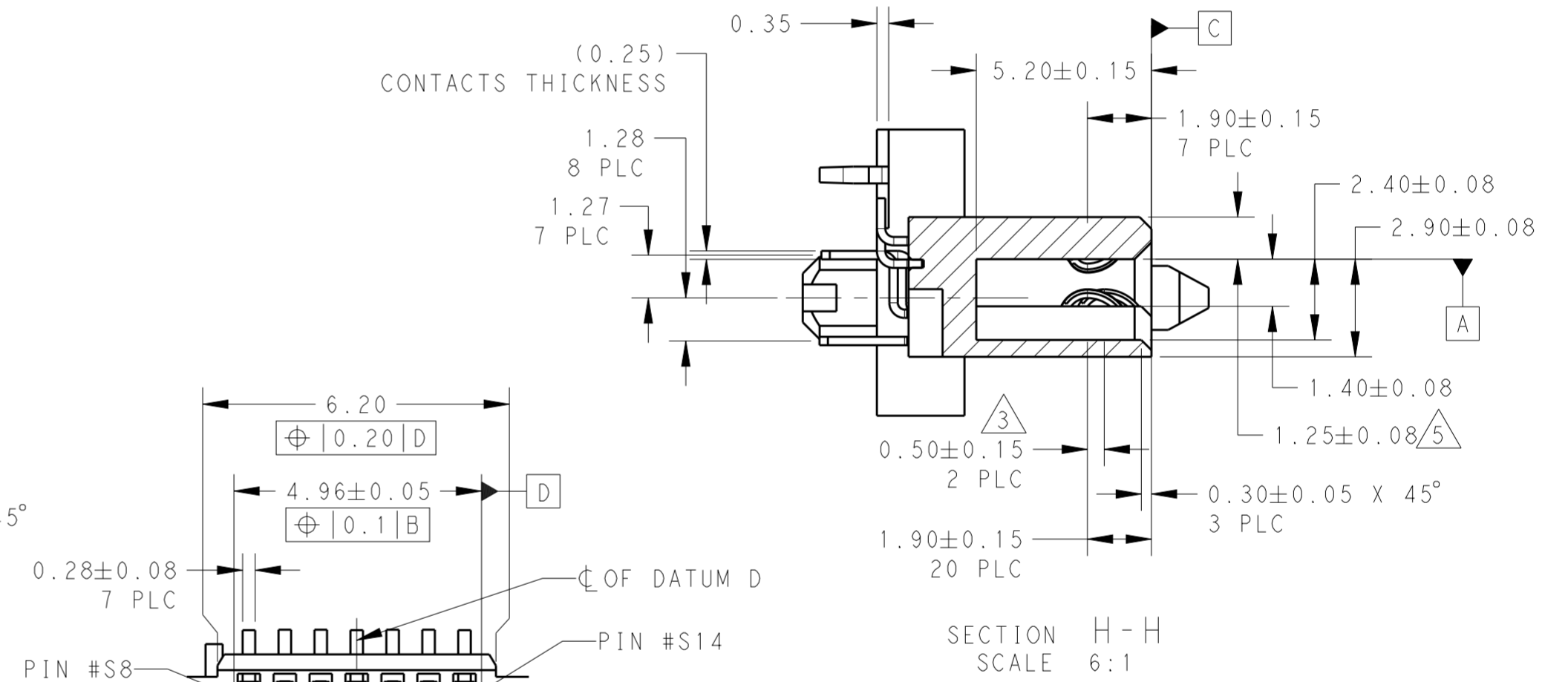
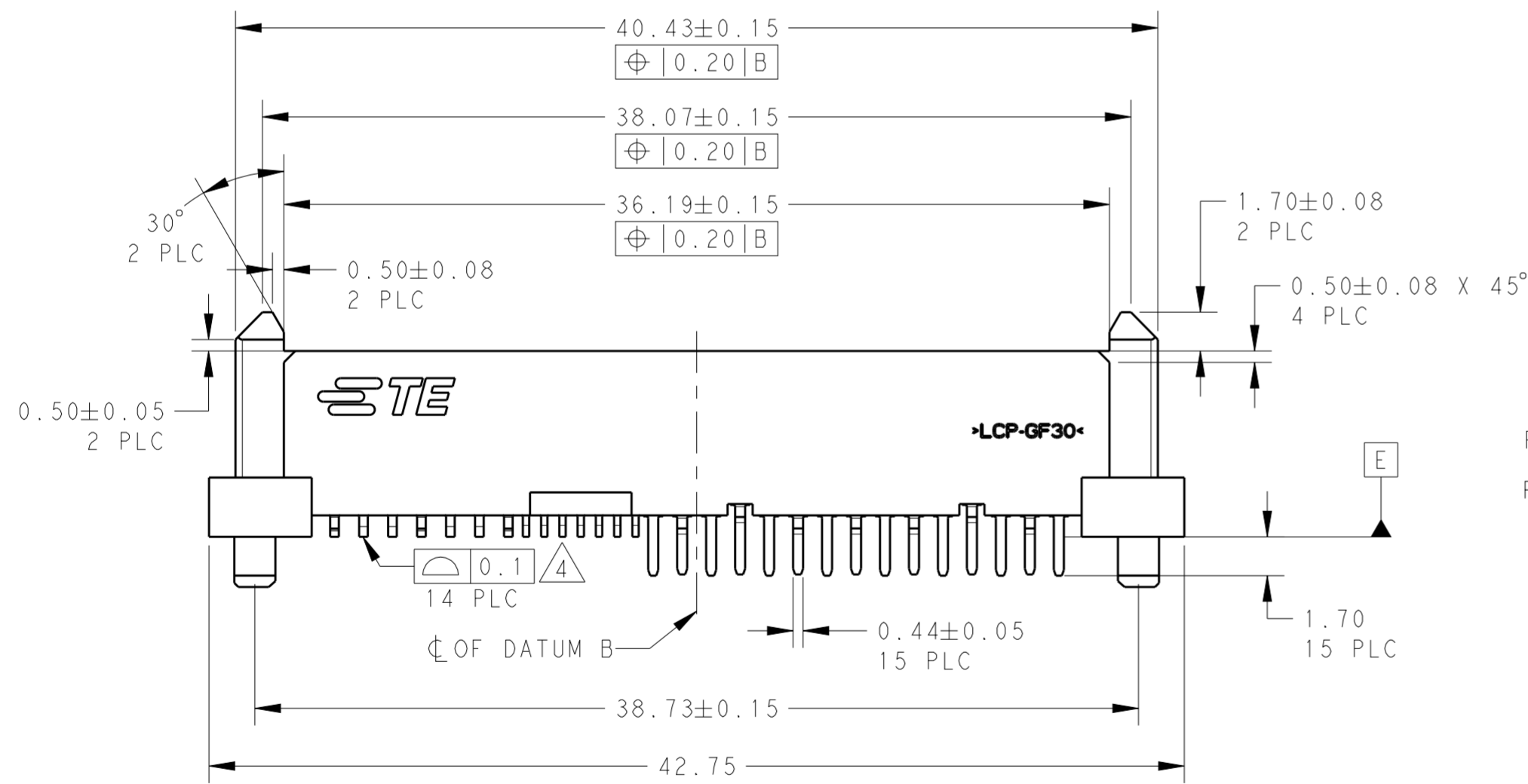
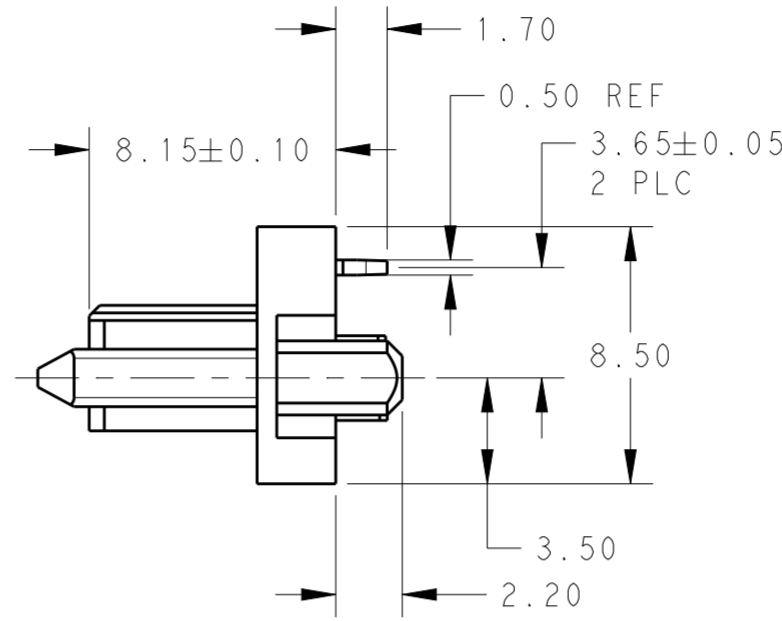
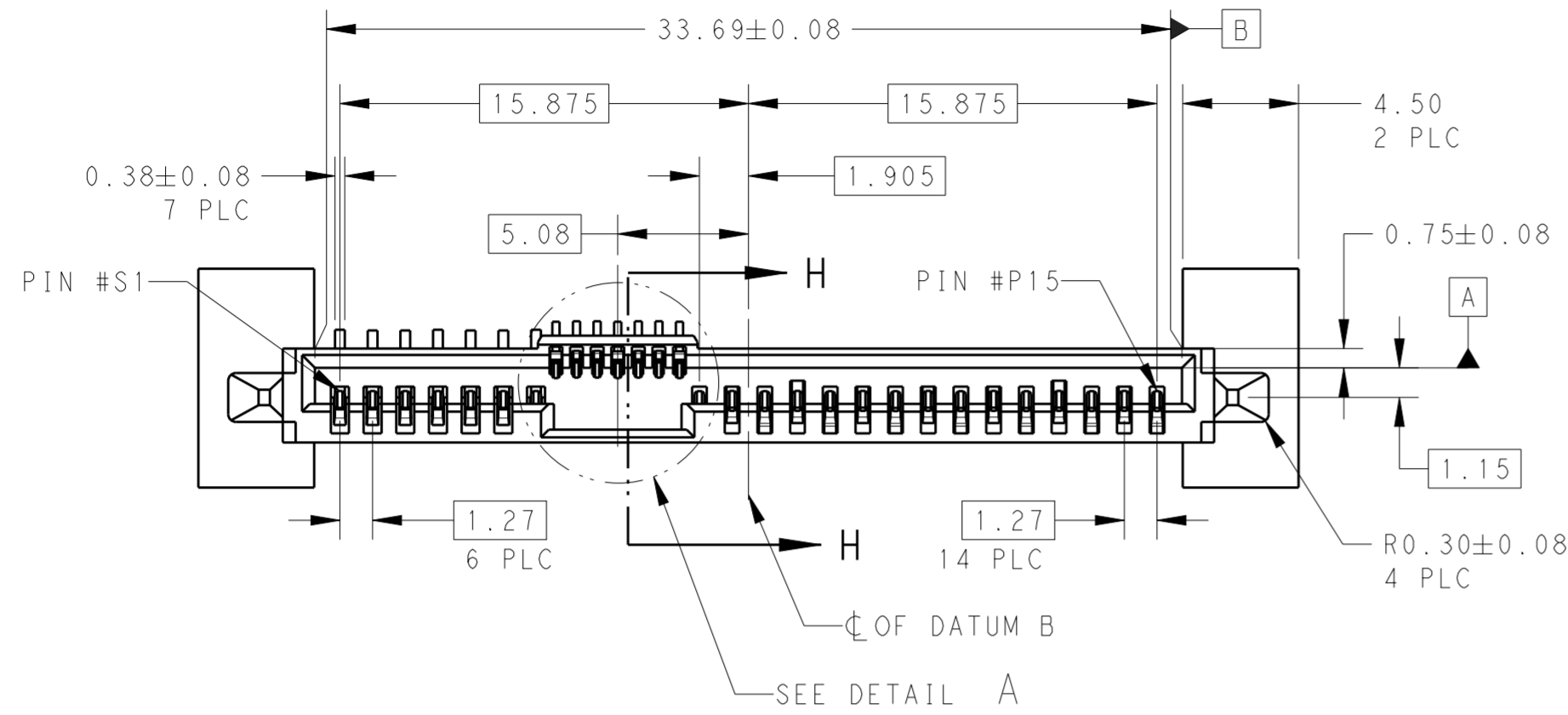


THIS DRAWING IS UNPUBLISHED. RELEASED FOR PUBLICATION
 © COPYRIGHT ALL RIGHTS RESERVED.

LOC		DIST		REVISIONS			
P	LTR	DESCRIPTION	DATE	DWN	APVD		
	A	RELEASED FOR PRODUCTION	07MAR2016	TX	SH		
			10OCT2013	TX	AC		

NOTES:

- 1 MATERIAL:
HOUSING: HIGH TEMP THERMOPLASTIC, UL94V-0,
COLOR: BLACK
CONTACT: COPPER ALLOY
BOARDLOCK: COPPER ALLOY
- 2 FINISH:
CONTACT AREA: MIN 0.76µm GOLD PLATING
SOLDERTAIL: MIN 2.54µm MATTE TIN PLATING
UNDERPLATE: MIN 1.27µm NICKEL PLATING
- 3 PIN #P4 AND PIN #P12 ONLY
- 4 SOLDERTAIL TO BE WITHIN 0.05MAX ABOVE AND 0.10MAX BELOW DATUM E
- 5 1.33 MAX MEASURED AT DATUM C



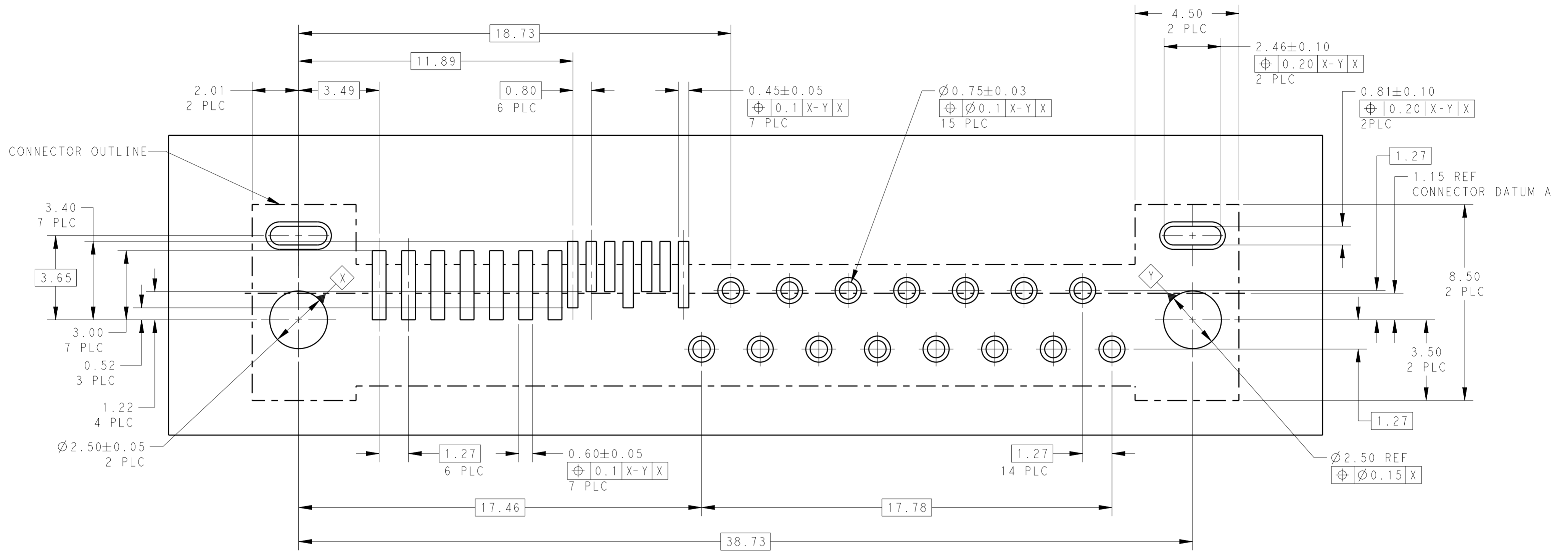
DETAIL A
SCALE 8:1

TAPE & REEL WITH PICKUP CAP	2170506-1
PACKAGING	PART NUMBER

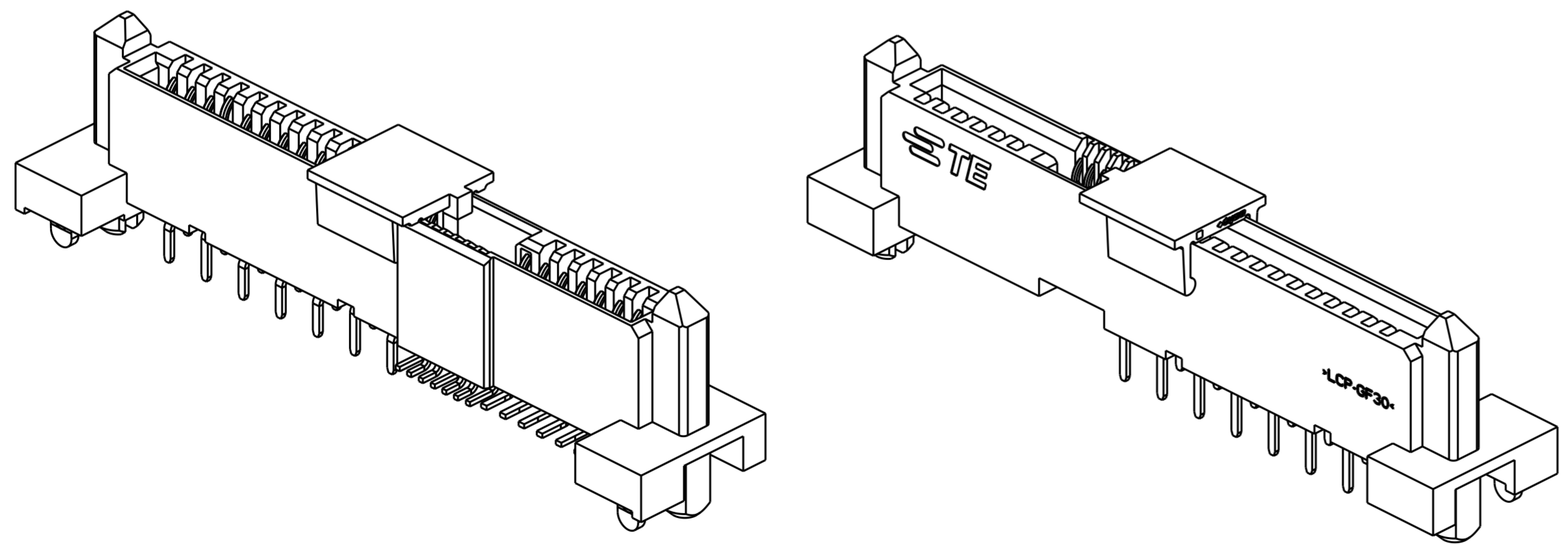
THIS DRAWING IS A CONTROLLED DOCUMENT.		DWN	TIM XUE	13MAR2013	TE Connectivity
DIMENSIONS: mm		CHK	ALEX CAI	13MAR2013	
TOLERANCES UNLESS OTHERWISE SPECIFIED:		APVD	ALEX CAI	13MAR2013	
0 PLC ±0.2 1 PLC ±0.2 2 PLC ±0.2 3 PLC ±0.2 4 PLC ±0.2 ANGLES ±3° FINISH 1 2		PRODUCT SPEC	108-51109	NAME	
MATERIAL	1	APPLICATION SPEC	114-60017	SIZE	A200779
		WEIGHT	-	CAGE CODE	C-2170506
		CUSTOMER DRAWING	SCALE 4:1		SHEET 1 OF 2
				REV	A

THIS DRAWING IS UNPUBLISHED. RELEASED FOR PUBLICATION
 © COPYRIGHT ALL RIGHTS RESERVED.

LOC	DIST	REVISIONS			
P	LTR	DESCRIPTION	DATE	DWN	APVD
-	-	SEE SHEET 1	-	-	-



RECOMMENDED RECEPTACLE BOARD LAYOUT
 SCALE 8:1



P/N: 2170506-1 WITH CAP AS SHOWN

THIS DRAWING IS A CONTROLLED DOCUMENT.		DWN TIM XUE 13MAR2013	 TE Connectivity	NAME SAS-3 (12Gbps)SFF-8680 RECEPTACLE DUAL PORT, WITH METAL RETENTION BLADE HYBRID (TH/SMT) FOOTPRINT, 15P+7P+7P		
DIMENSIONS: mm		CHK ALEX CAI 13MAR2013		PRODUCT SPEC 108-51109	SIZE A2	CAGE CODE 00779
TOLERANCES UNLESS OTHERWISE SPECIFIED: 0 PLC ±0.2 1 PLC ±0.2 2 PLC ±0.2 3 PLC ±0.2 4 PLC ±0.2 ANGLES ±3° FINISH		APVD ALEX CAI 13MAR2013		APPLICATION SPEC 114-60017	DRAWING NO C-2170506	RESTRICTED TO -
MATERIAL		WEIGHT -		CUSTOMER DRAWING	SCALE 2:1	SHEET 2 OF 2