



Chipsmall Limited consists of a professional team with an average of over 10 year of expertise in the distribution of electronic components. Based in Hongkong, we have already established firm and mutual-benefit business relationships with customers from,Europe,America and south Asia,supplying obsolete and hard-to-find components to meet their specific needs.

With the principle of “Quality Parts,Customers Priority,Honest Operation,and Considerate Service”,our business mainly focus on the distribution of electronic components. Line cards we deal with include Microchip,ALPS,ROHM,Xilinx,Pulse,ON,Everlight and Freescale. Main products comprise IC,Modules,Potentiometer,IC Socket,Relay,Connector.Our parts cover such applications as commercial,industrial, and automotives areas.

We are looking forward to setting up business relationship with you and hope to provide you with the best service and solution. Let us make a better world for our industry!



## Contact us

Tel: +86-755-8981 8866 Fax: +86-755-8427 6832

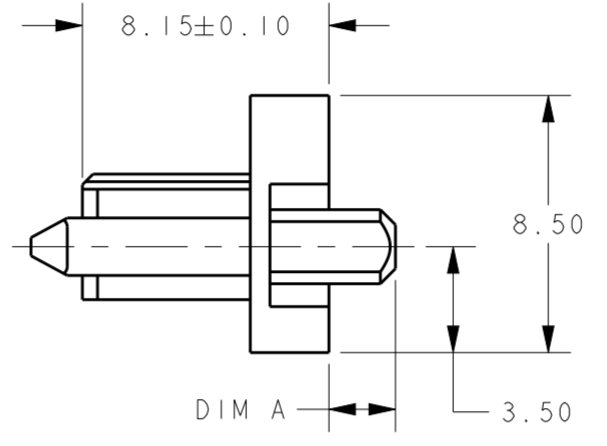
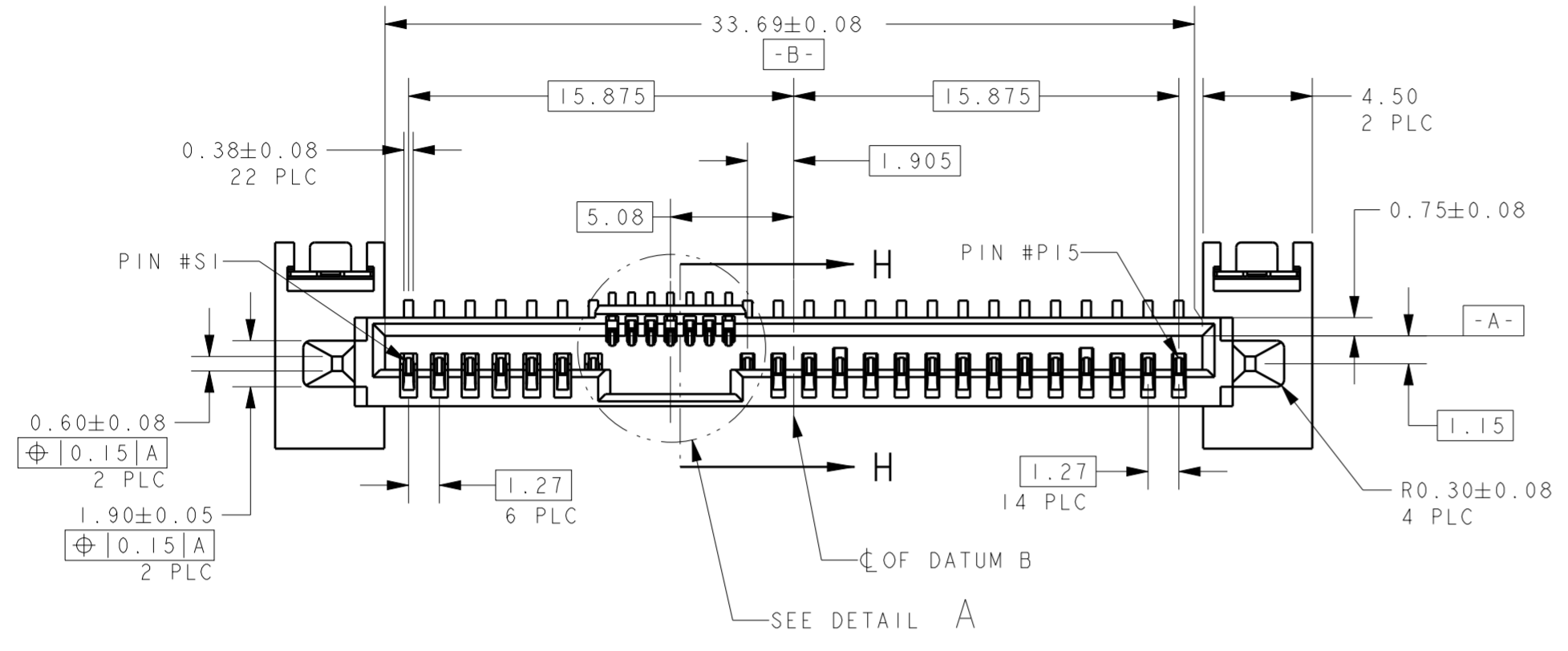
Email & Skype: info@chipsmall.com Web: www.chipsmall.com

Address: A1208, Overseas Decoration Building, #122 Zhenhua RD., Futian, Shenzhen, China

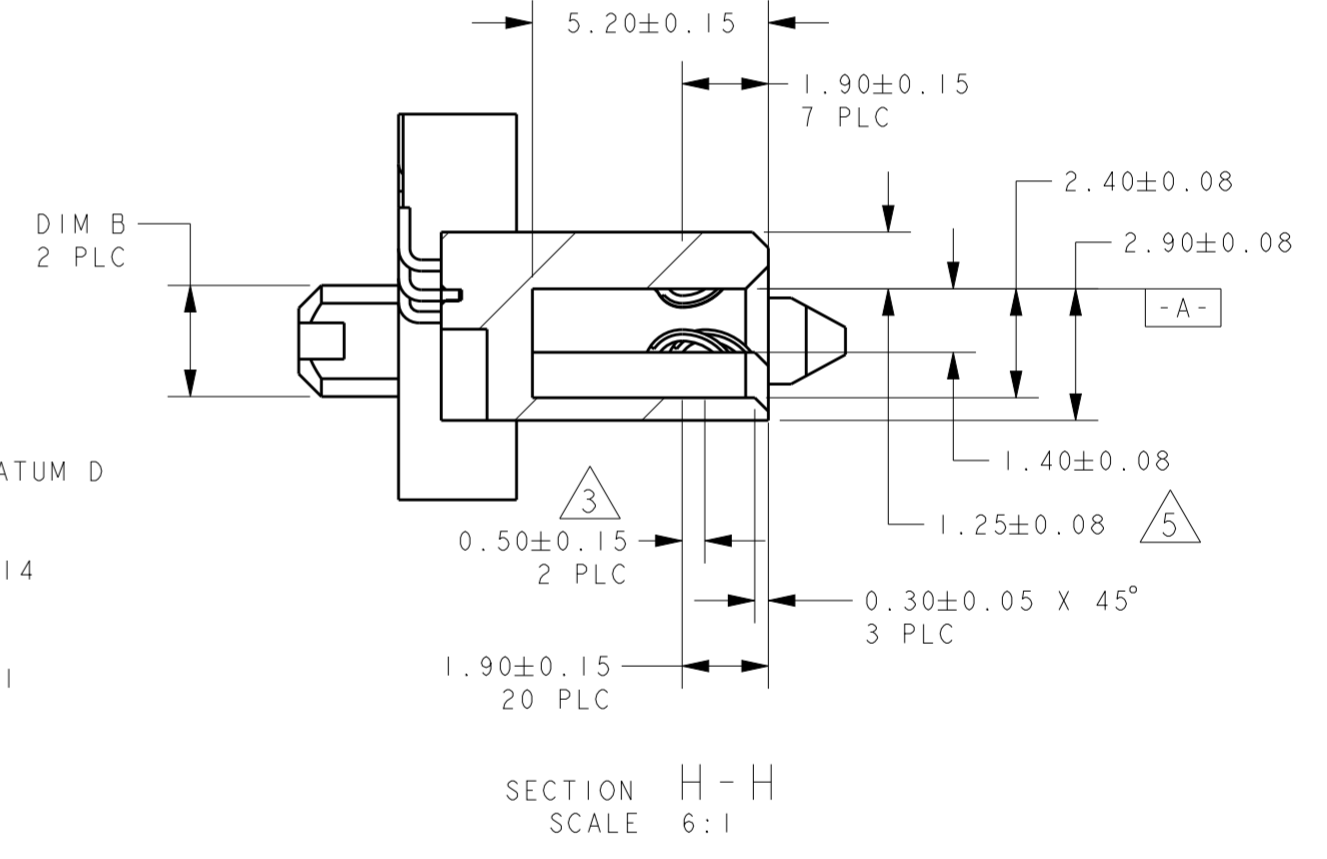
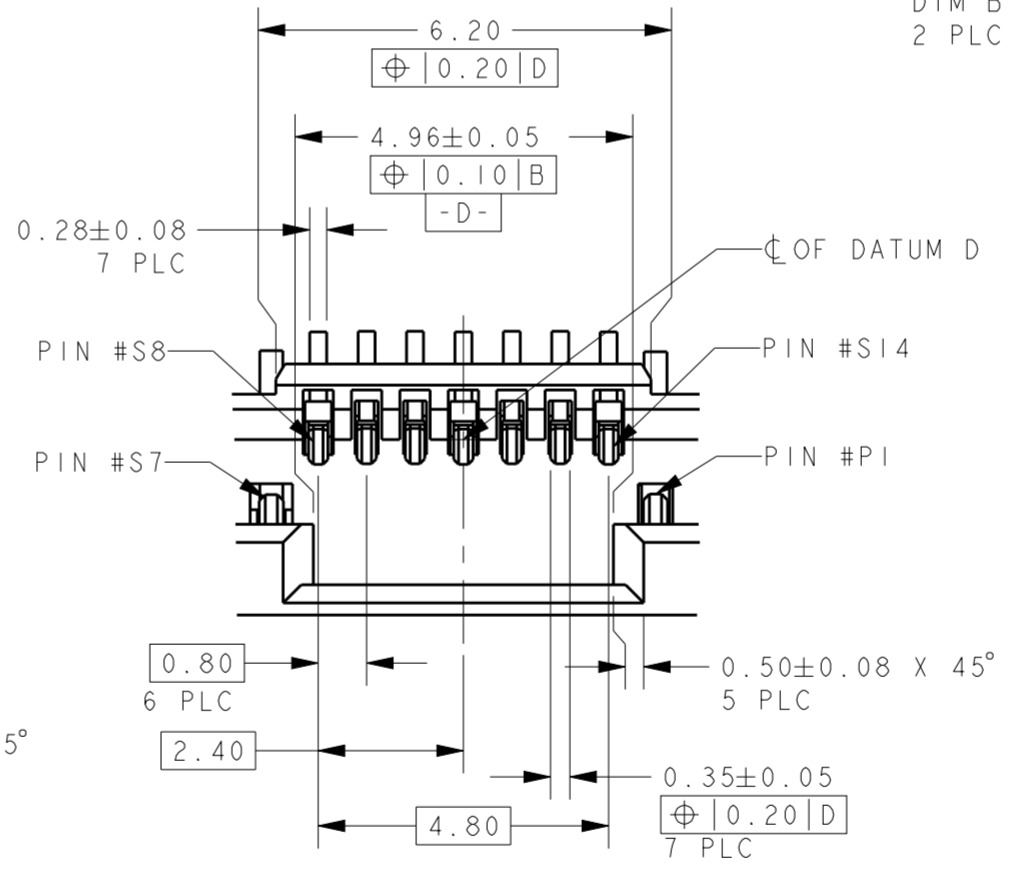
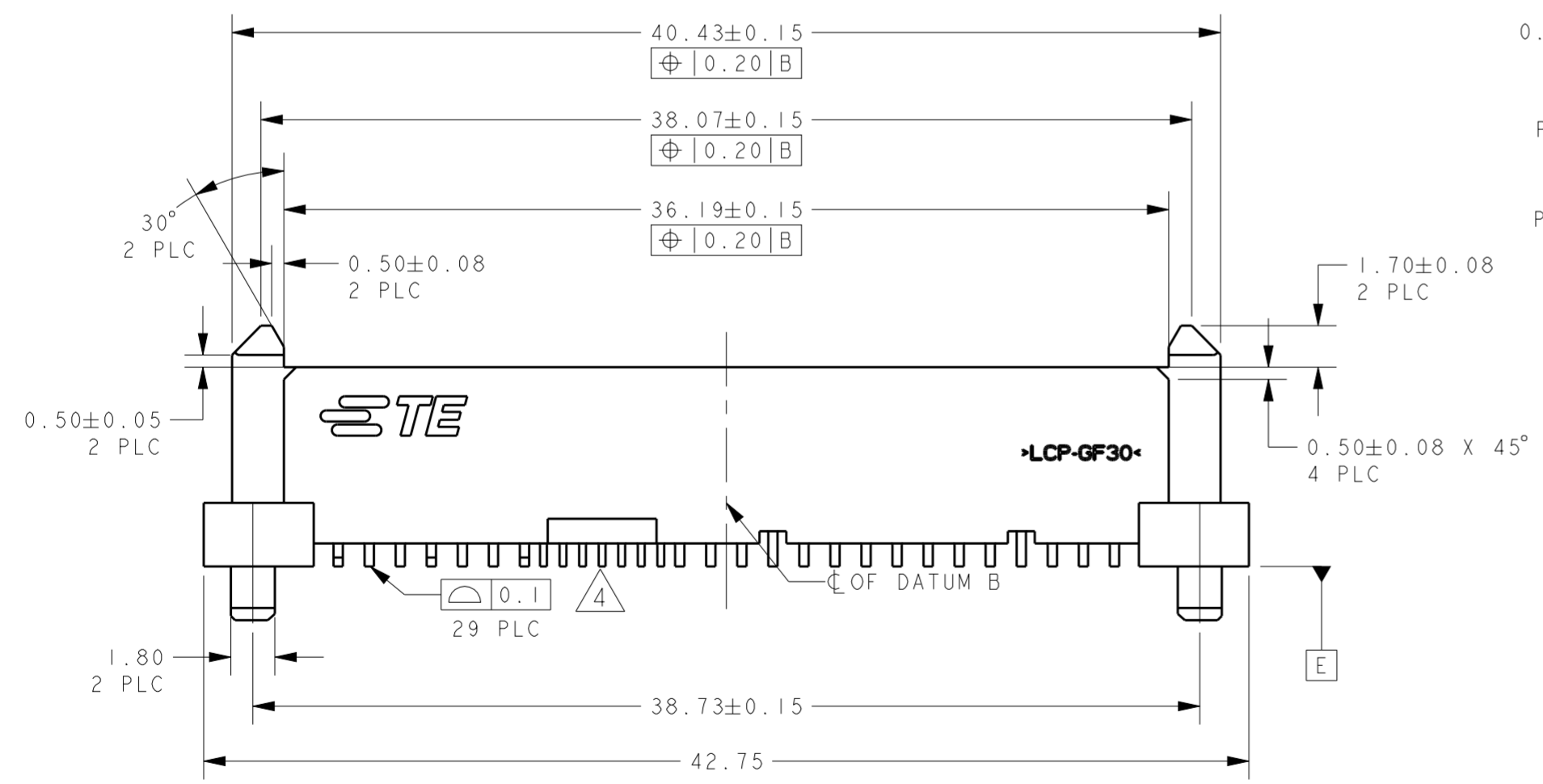


THIS DRAWING IS UNPUBLISHED. RELEASED FOR PUBLICATION 20  
 © COPYRIGHT 2012 ALL RIGHTS RESERVED.

LOC	DIST	REVISIONS					
		P	LTR	DESCRIPTION	DATE	DWN	APVD
J	-	A		RELEASED FOR PRODUCTION	07MAR2016	TX	SH



- NOTES:
- MATERIAL:  
HOUSING: HIGH TEMP THERMOPLASTIC, UL94V-0,  
COLOR: BLACK  
CONTACT: COPPER ALLOY  
BOARDLOCK: COPPER ALLOY
  - FINISH:  
CONTACT AREA: MIN 0.76um GOLD PLATING  
SOLDERTAIL: MIN 2.54um MATTE TIN PLATING  
UNDERPLATE: MIN 1.27um NICKEL PLATING
  - PIN PIN #P4 AND PIN #P12 ONLY
  - SOLDERTAIL TO BE WITHIN 0.05MAX ABOVE AND 0.10MAX BELOW DATUM E
  - 1.33 MAX MEASURED AT DATUM X
  - PACKAGING: TAPE AND REEL



DIM C	DIM B	DIM A	DESCRIPTION	PART NUMBER
Ø1.40	Ø1.26	1.00	WITH PICK-UP CAP	2170563-3
Ø2.50	Ø2.45	2.20	WITHOUT PICK-UP CAP	2170563-2
Ø2.50	Ø2.45	2.20	WITH PICK-UP CAP	2170563-1

THIS DRAWING IS A CONTROLLED DOCUMENT.

DWN: TIM XUE 26 JUL 2013  
 CHK: ALEX CAI 26 JUL 2013  
 APVD: ALEX CAI 26 JUL 2013

TE Connectivity

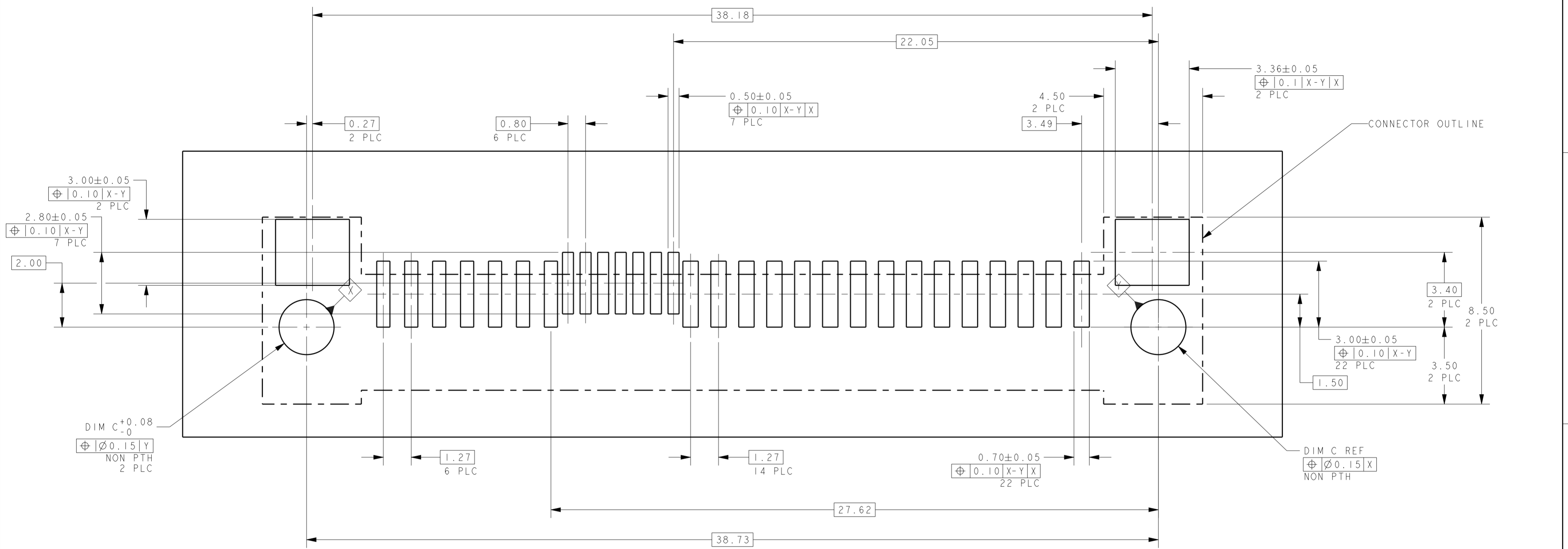
126 SAS RECEPTACLE  
 DUALLINK, WITH BOARDLOCK  
 1-SIDED, 15P+7P+7P

SIZE: A2 CAGE CODE: 20779 DRAWING NO: 2170563

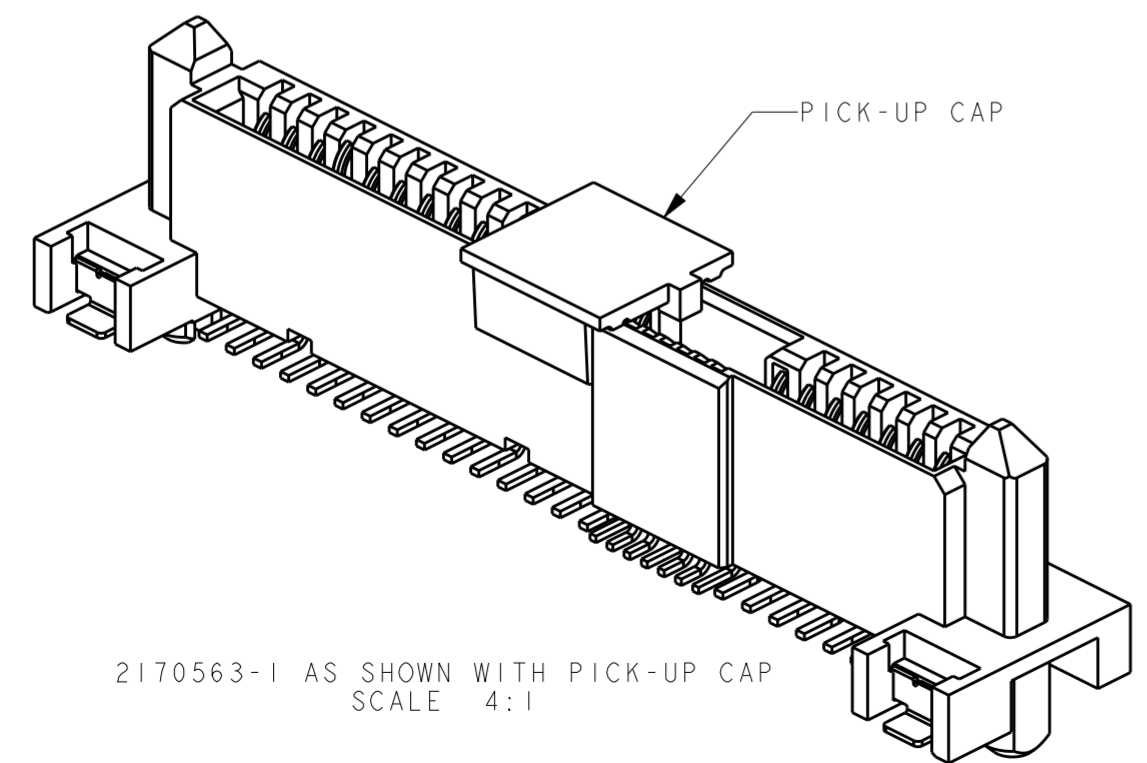
SCALE: 2:1 SHEET 1 OF 2 REV A

THIS DRAWING IS UNPUBLISHED. RELEASED FOR PUBLICATION 20  
 © COPYRIGHT 2012 ALL RIGHTS RESERVED.

LOC	DIST	REVISIONS			
P	LTR	DESCRIPTION	DATE	DWN	APVD
-	-	SEE SHEET 1	-	-	-



RECOMMENDED RECEPTACLE BOARD LAYOUT  
 SCALE 8:1



THIS DRAWING IS A CONTROLLED DOCUMENT.		DWN TIM XUE 26 JUL 2013	 TE Connectivity
DIMENSIONS: mm		CHK ALEX CAI 26 JUL 2013	
TOLERANCES UNLESS OTHERWISE SPECIFIED:		APVD ALEX CAI 26 JUL 2013	
0 PLC ± 1 PLC ±0.20 2 PLC ±0.20 3 PLC ±0.20 4 PLC ± ANGLES ±3° FINISH		NAME 12G SAS RECEPTACLE DUALLINK, WITH BOARDLOCK 1-SIDED, 15P+7P+7P PRODUCT SPEC 108-51109 APPLICATION SPEC 114-60017 WEIGHT	
MATERIAL		CUSTOMER DRAWING	SIZE A2 CAGE CODE 0779 DRAWING NO C-2170563 RESTRICTED TO - SCALE 2:1 SHEET 2 OF 2 REV A