



Chipsmall Limited consists of a professional team with an average of over 10 year of expertise in the distribution of electronic components. Based in Hongkong, we have already established firm and mutual-benefit business relationships with customers from,Europe,America and south Asia,supplying obsolete and hard-to-find components to meet their specific needs.

With the principle of “Quality Parts,Customers Priority,Honest Operation,and Considerate Service”,our business mainly focus on the distribution of electronic components. Line cards we deal with include Microchip,ALPS,ROHM,Xilinx,Pulse,ON,Everlight and Freescale. Main products comprise IC,Modules,Potentiometer,IC Socket,Relay,Connector.Our parts cover such applications as commercial,industrial, and automotives areas.

We are looking forward to setting up business relationship with you and hope to provide you with the best service and solution. Let us make a better world for our industry!



Contact us

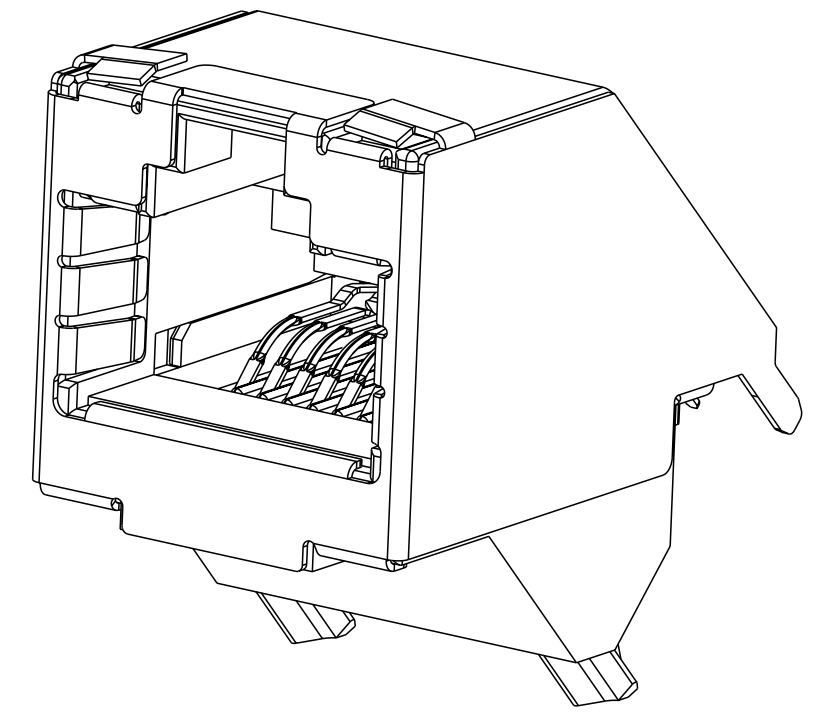
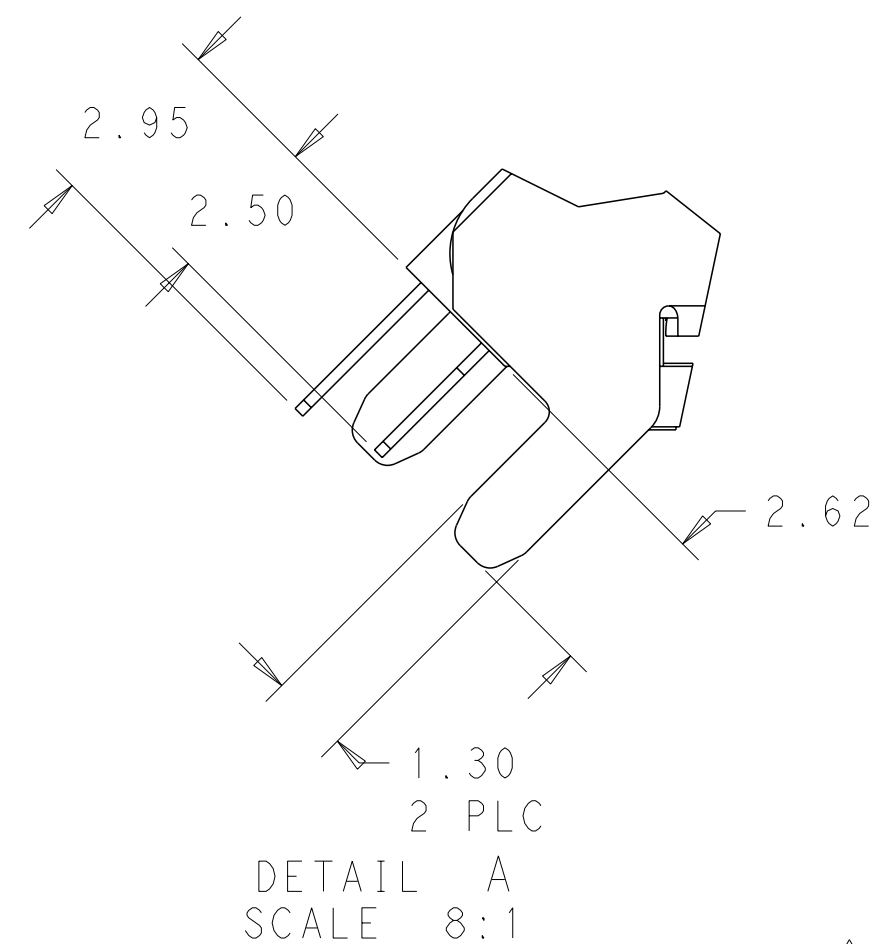
Tel: +86-755-8981 8866 Fax: +86-755-8427 6832

Email & Skype: info@chipsmall.com Web: www.chipsmall.com

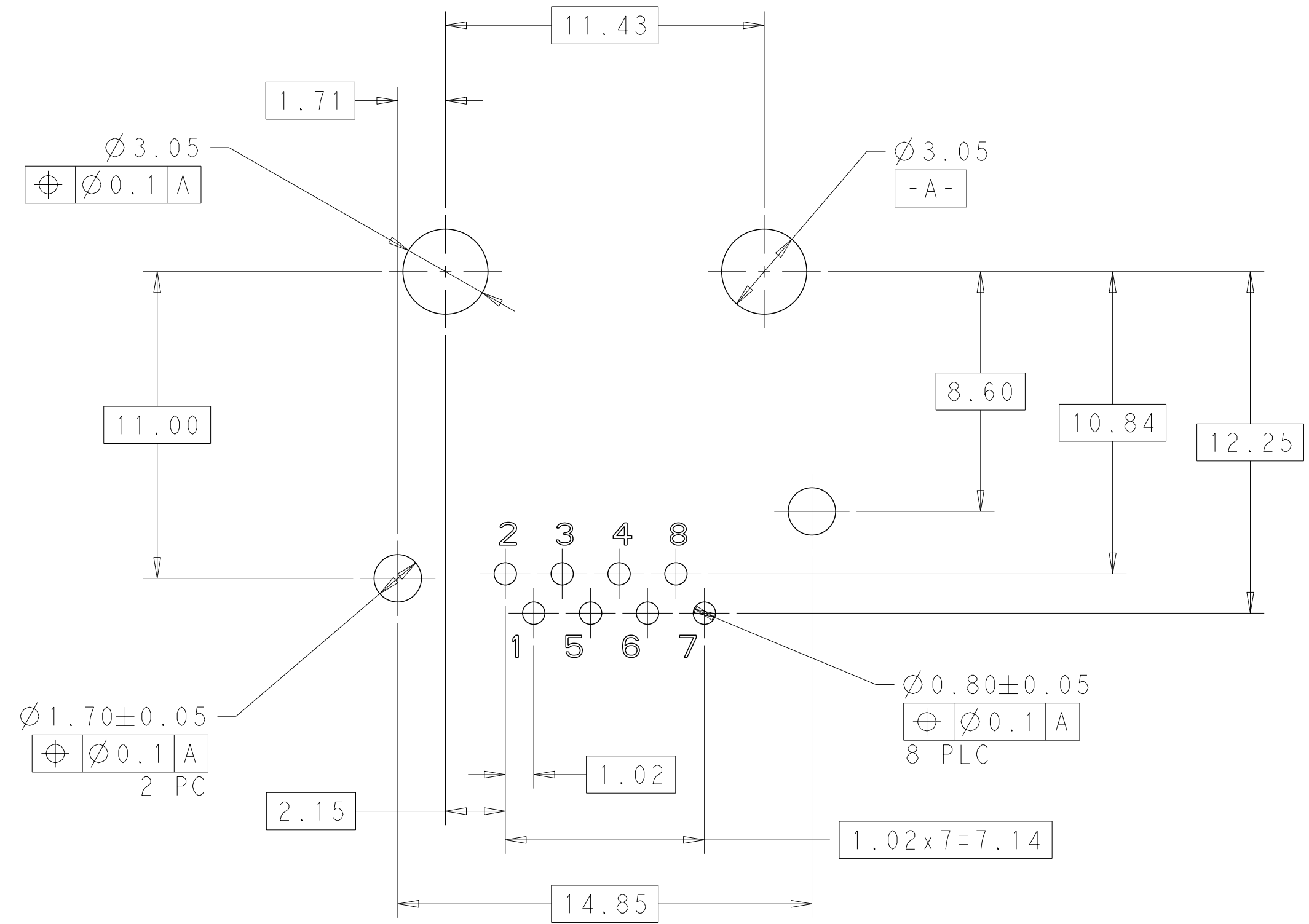
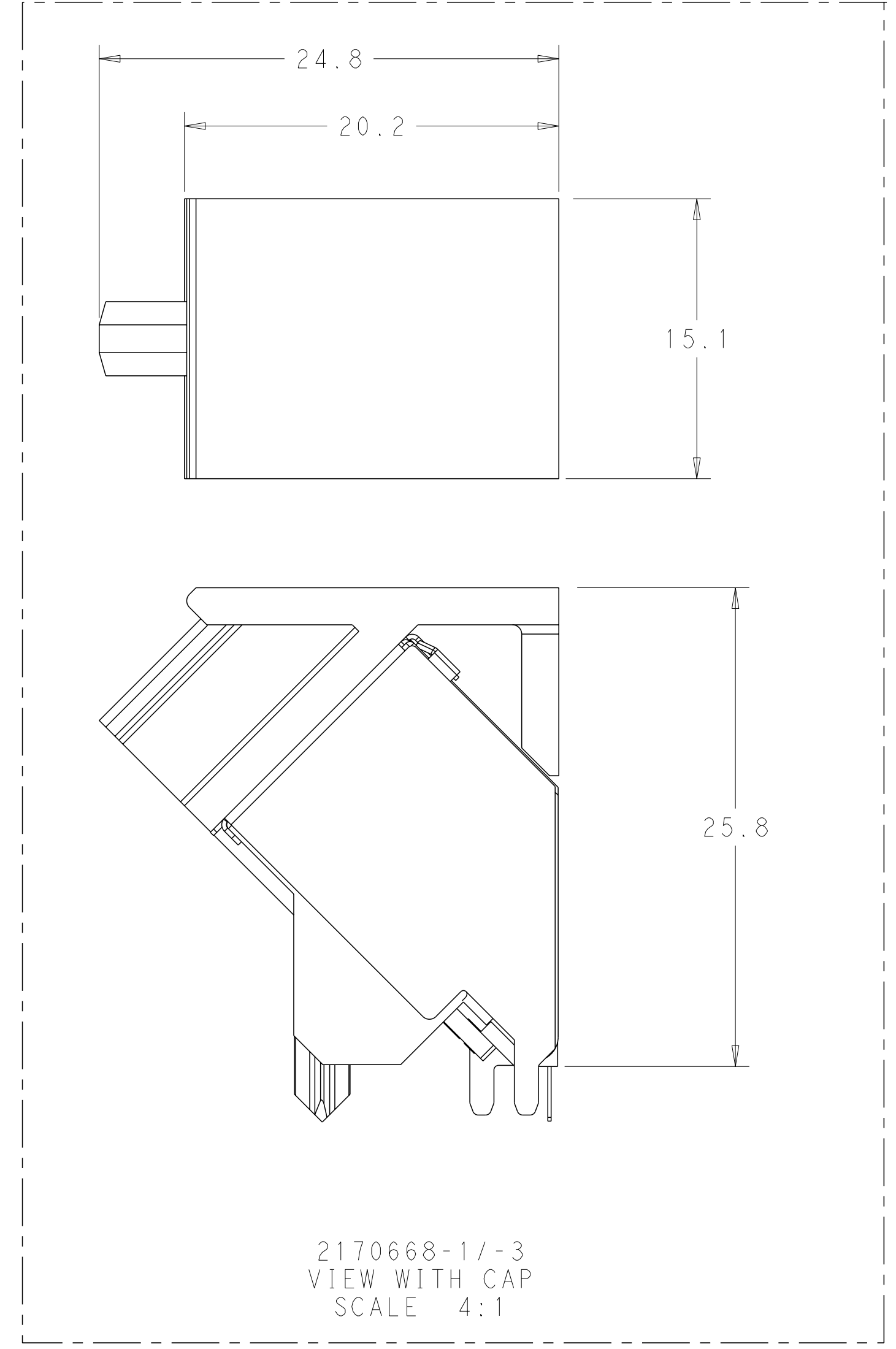
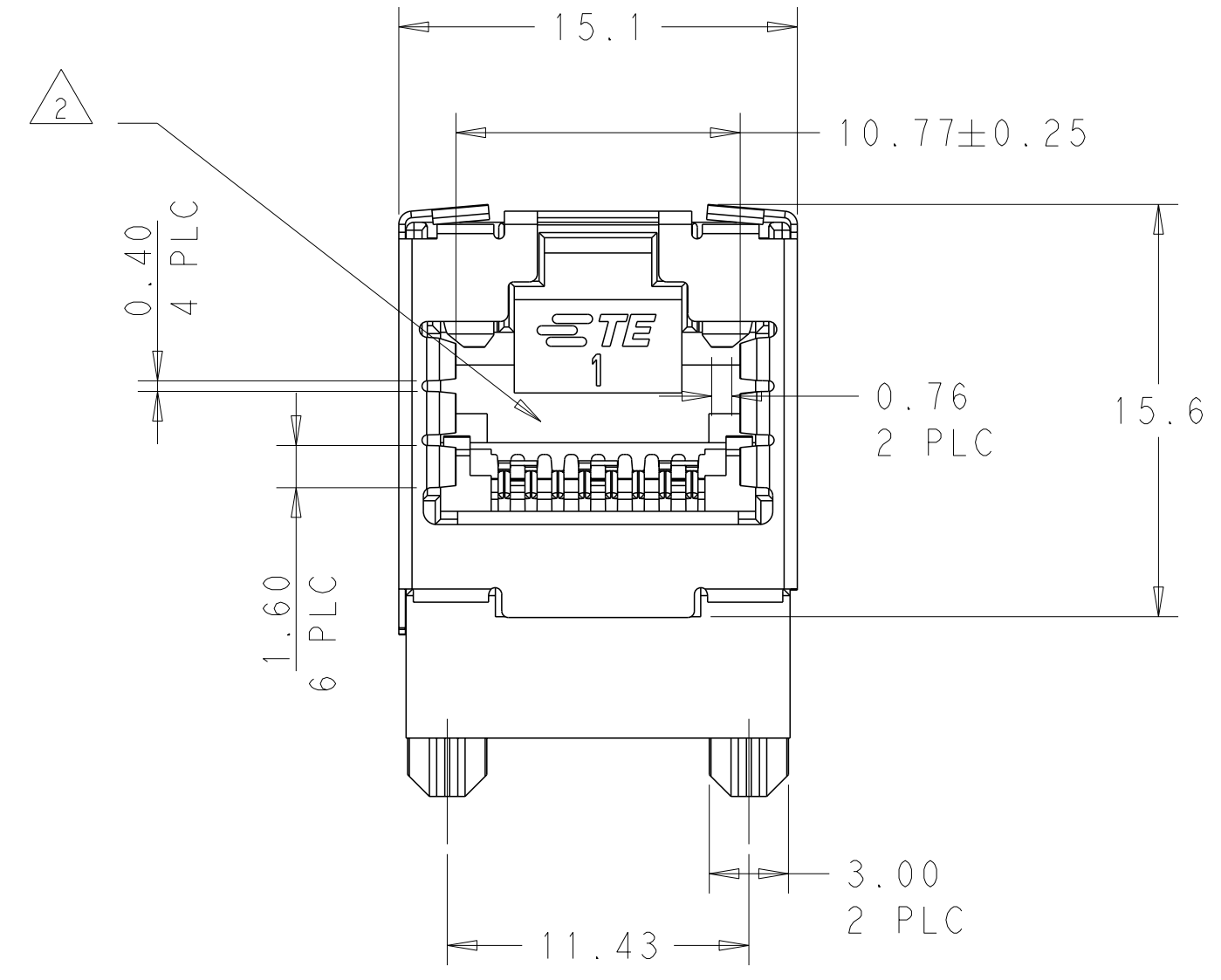
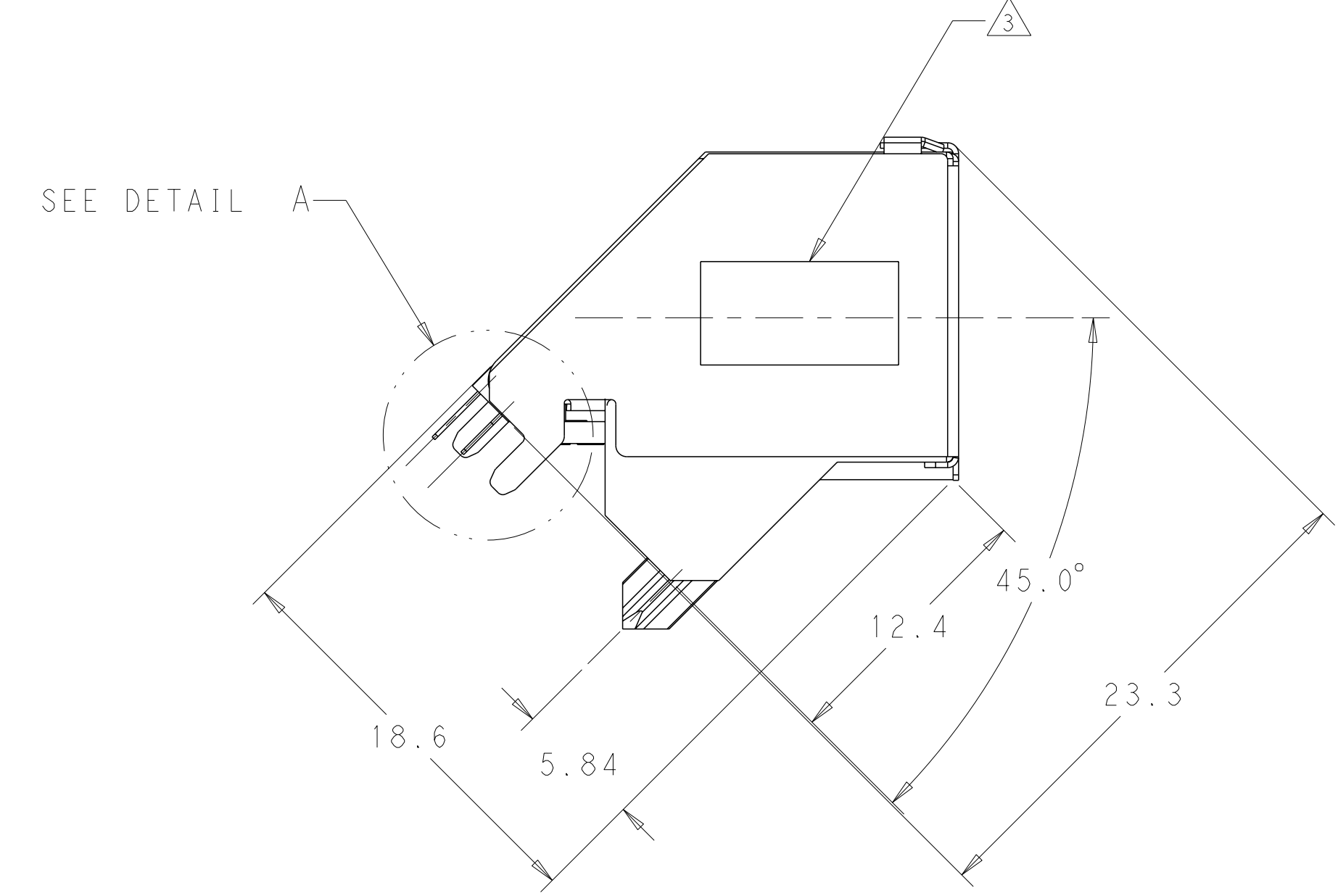
Address: A1208, Overseas Decoration Building, #122 Zhenhua RD., Futian, Shenzhen, China



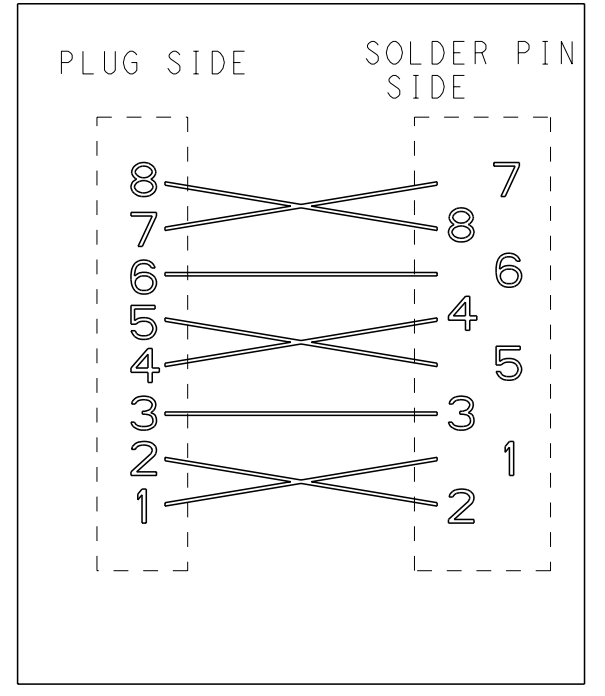
REVISIONS				
#	DATE	DESCRIPTION	OWN	APVD
A	14MAY2015	ECO-15-007308	LL	SH
B	15JUL2016	ECO-16-010518	LL	SH



- 1 MATERIAL: HOUSING - HIGH TEMPERATURE THERMOPLASTIC, BLACK, UL 94V-0, IR REFLOW SOLDERING PROCESS COMPATIBLE.
 TERMINALS - 0.18MM THICK PHOSPHOR BRONZE PLATED WITH 3.81µm MINIMUM THICK MATTE TIN IN SOLDER AREA, 0.76µm MINIMUM GOLD IN LOCALIZED PLATE AREA.
 ENTIRE TERMINAL PLATED WITH 1.27µm[.000050] MINIMUM THICK NICKEL.
 SHIELD - 0.25MM MIN THICK COPPER ALLOY, PREPLATED WITH 1.27µm THICK NICKEL AND 2.03µm MINIMUM HOT TIN DIP ON PCB GROUND TABS.
 COMPENSATION PCB - FR-4.
- 2 JACK CAVITY CONFORMS TO FCC RULES AND REGULATIONS PART 68, SUBPART F.
- 3 PART NUMBER, DATE CODE TO BE MARKED IN APPROXIMATE LOCATION SHOWN.
- 4 FOR CAT6 APPLICATION, THE PART ITSELF CAN NOT MEET CAT6 PERFORMANCE, NECESSARY COMPENSATION ON CUSTOMER PCB IS MANDATORY.
- 5 WITHOUT THE CAP.



DETAIL A SCALE 8:1
 ONLY FOR 2170668-3/-4, OTHER DIMENSIONS SAME AS -1/-2



SUGGESTED PC BOARD LAYOUT.
 COMPONENT SIDE
 TOLERANCE: ±0.05

CAP OPTION	MATERIAL	PACKAGE	PART NUMBER
W/O CAP	ESD TRAY		2170668-4
WITH CAP	ESD TRAY		2170668-3
W/O CAP	ESD TRAY		2170668-2
WITH CAP	ESD TRAY		2170668-1

THIS DRAWING IS A CONTROLLED DOCUMENT.

OWN: LEO LI	25MAY2014	TE Connectivity ANGLD ENTRY JACK, SHIELDED RJ45, FOR CAT6 APPLICATION
CHK: SEAN HAN	25MAY2014	
APVD: SEAN HAN	25MAY2014	
NAME: SEAN HAN	25MAY2014	
DIMENSIONS: mm	TOLERANCES UNLESS OTHERWISE SPECIFIED:	SIZE: A1
0 PLC ±	1 PLC ±0.25	CAGE CODE: -
2 PLC ±0.13	3 PLC ±	DRAWING NO: -
4 PLC ±	ANGLES FINISH: *	RESTRICTED TO: -
MATERIAL: -	WEIGHT: -	SCALE: 4:1
Customer Drawing	Customer Drawing	SHEET 1 OF 1