



Chipsmall Limited consists of a professional team with an average of over 10 year of expertise in the distribution of electronic components. Based in Hongkong, we have already established firm and mutual-benefit business relationships with customers from,Europe,America and south Asia,supplying obsolete and hard-to-find components to meet their specific needs.

With the principle of "Quality Parts,Customers Priority,Honest Operation,and Considerate Service",our business mainly focus on the distribution of electronic components. Line cards we deal with include Microchip,ALPS,ROHM,Xilinx,Pulse,ON,Everlight and Freescale. Main products comprise IC,Modules,Potentiometer,IC Socket,Relay,Connector.Our parts cover such applications as commercial,industrial, and automotives areas.

We are looking forward to setting up business relationship with you and hope to provide you with the best service and solution. Let us make a better world for our industry!



## Contact us

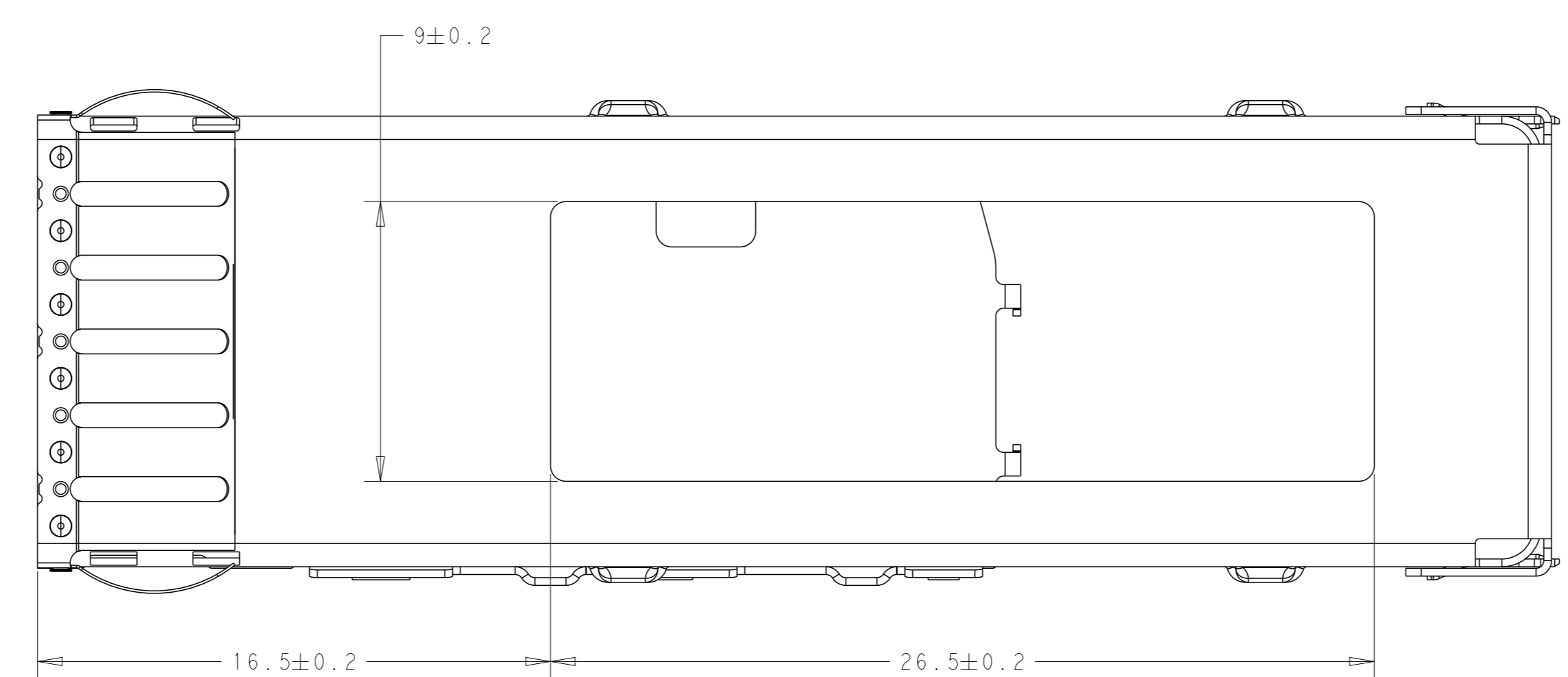
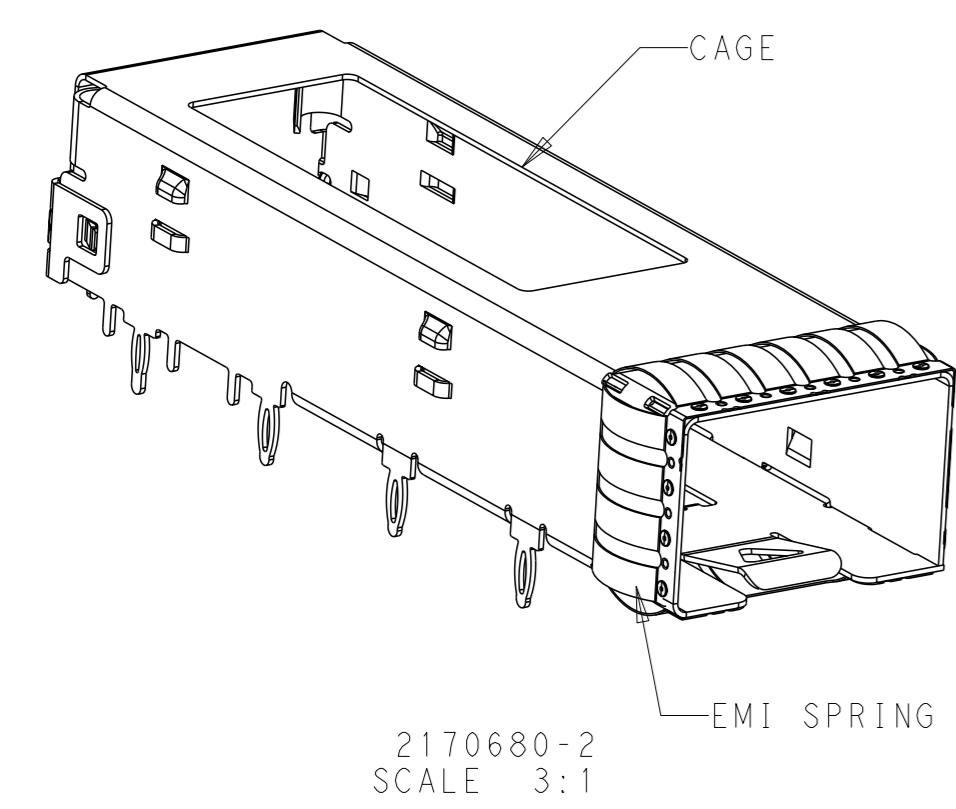
Tel: +86-755-8981 8866 Fax: +86-755-8427 6832

Email & Skype: info@chipsmall.com Web: www.chipsmall.com

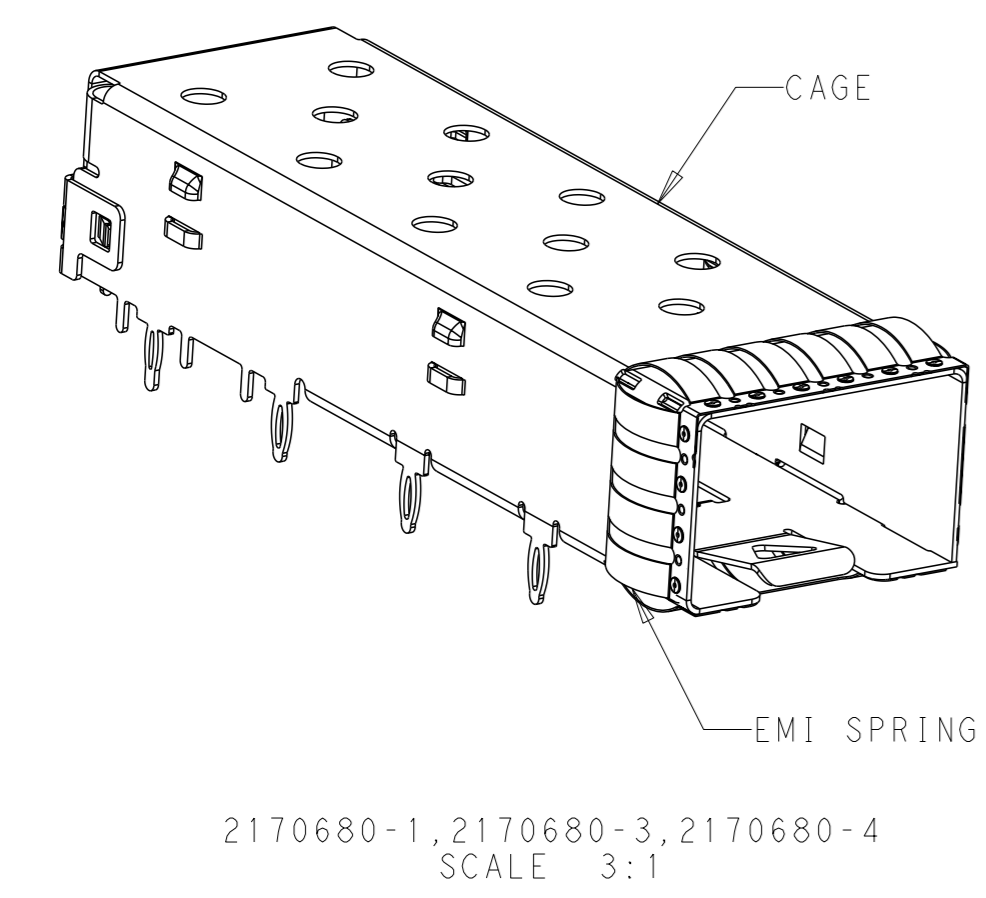
Address: A1208, Overseas Decoration Building, #122 Zhenhua RD., Futian, Shenzhen, China



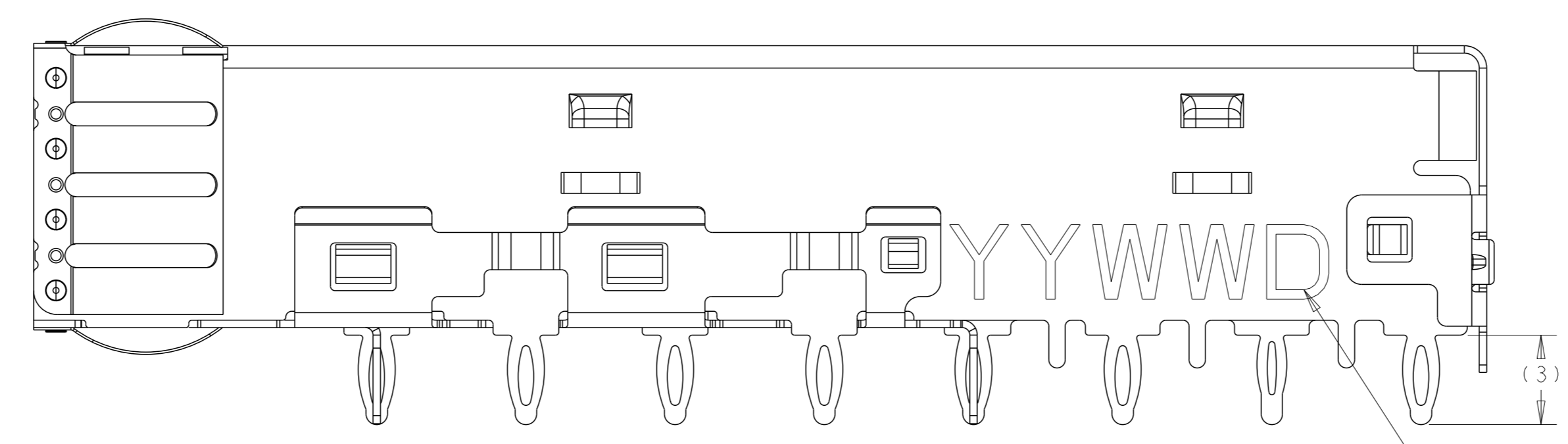
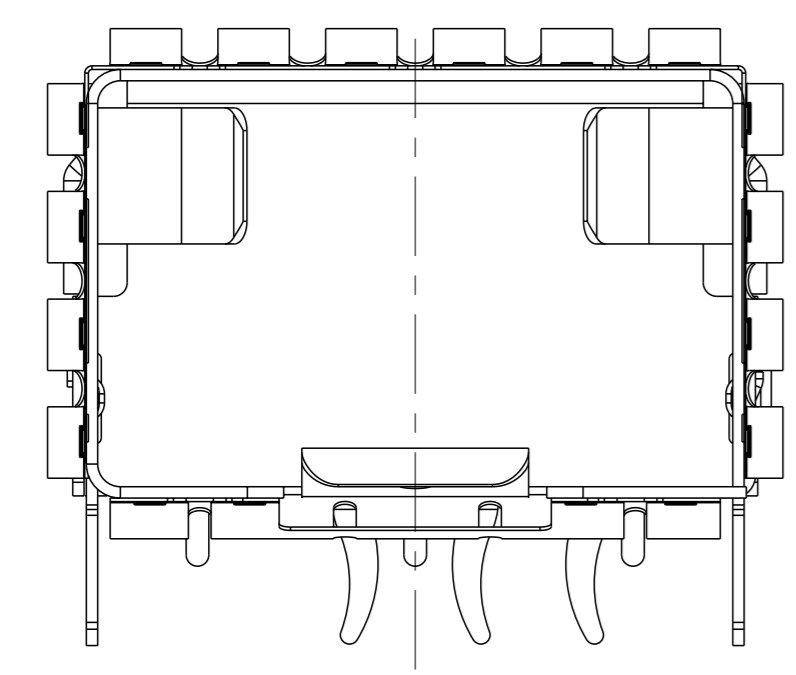
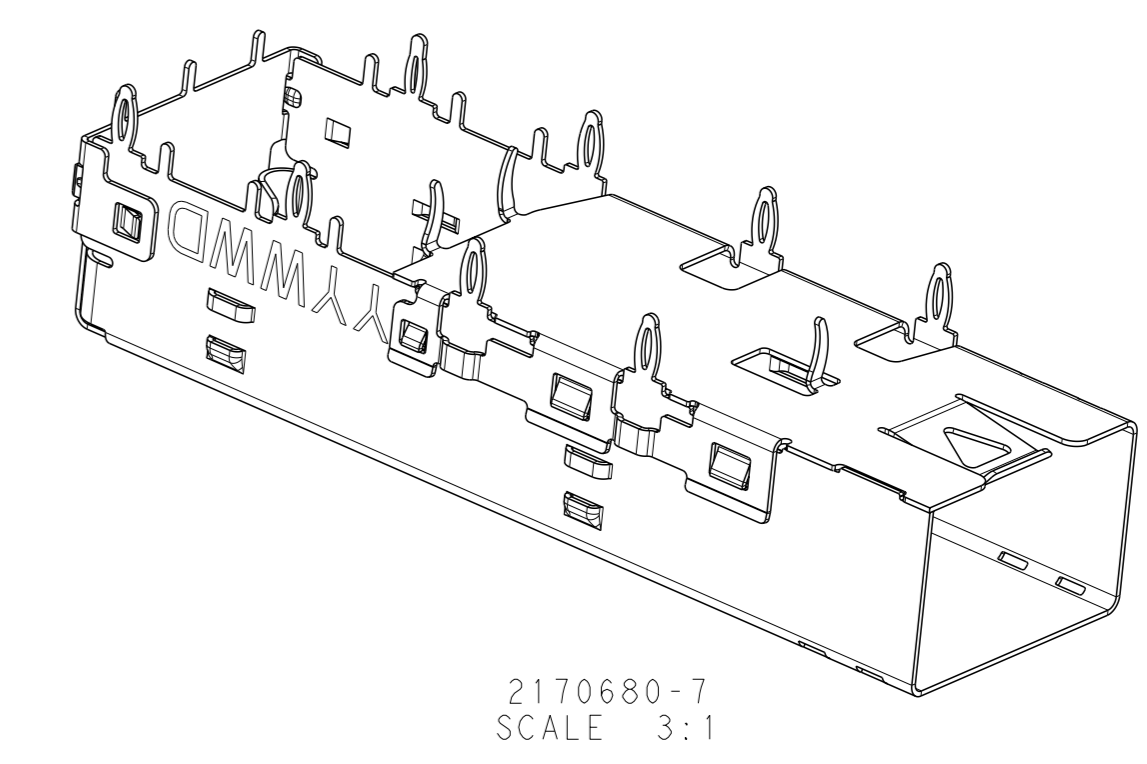
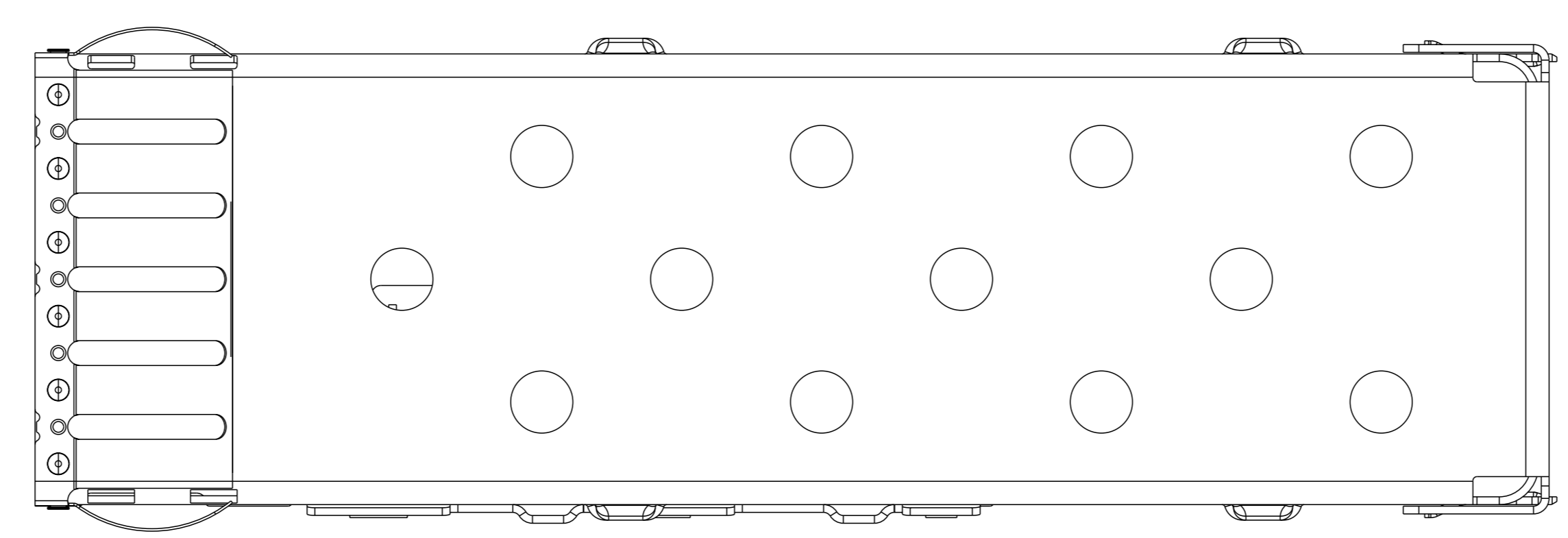
LOC	DIST	REVISIONS					
GP	00	#	LY#	DESCRIPTION	DATE	OWN	APVD
		A		MASS PRODUCTION	20DEC2015	PP	SH
		A1		REVISED PER ECO-16-002413	12JAN2016	PP	SH
		A2		ADD PIN LENGTH	15JUN2016	PP	SH
		A3		ADD-217-31	26OCT2016	PP	SH



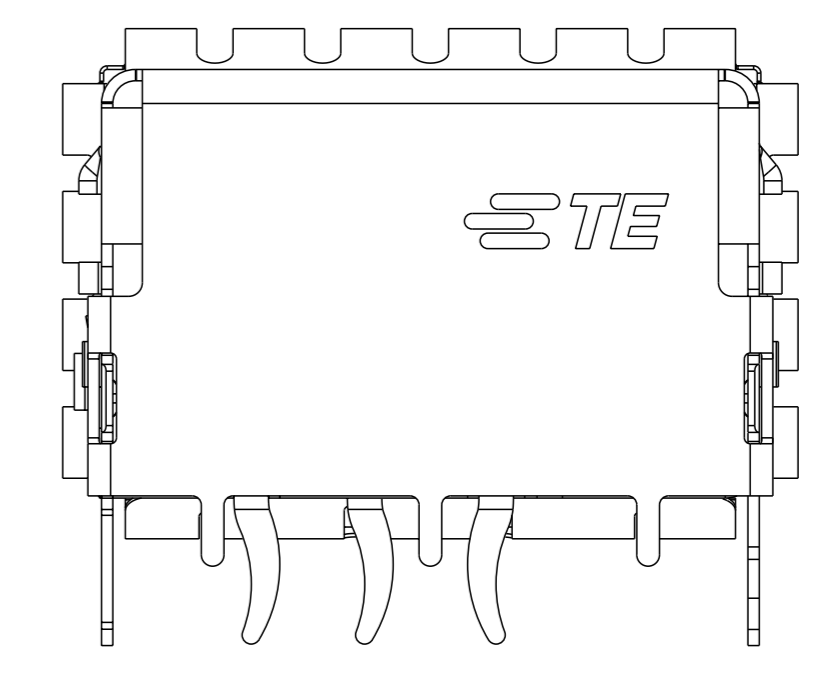
- 1 MATERIAL:  
CAGE ASSEMBLY - 0.25mm THICK NICKEL SILVER ALLOY.  
EMI SPRINGS - COPPER ALLOY.
- 2 FINISH  
EMI SPRINGS - 0.8um MIN NICKEL, NON-PLATED EDGES PERMISSIBLE.
- 3. MATES WITH SFP MSA COMPLIANT TRANSCEIVERS.
- 4 PADS AND VIAS CHASSIS GROUND.
- 5 DATUM AND BASIC DIMENSION ESTABLISHED BY CUSTOMER.
- 6. MINIMUM PC BOARD THICKNESS:  
SINGLE SIDED = 1.50 mm  
DOUBLE SIDED = 3.00 mm
- 7 REFERENCE APPLICATION SPEC. 114-13120, HOLE A, FOR RECOMMENDED DRILL HOLE DIAMETER AND PLATING THICKNESS.
- 8 REFERENCE APPLICATION SPEC. 114-13120, HOLE C, FOR RECOMMENDED DRILL HOLE DIAMETER AND PLATING THICKNESS.
- 9. NOTE DELETED
- 10 PACKAGE TYPE IS TAPE AND REEL. THE PITCH IS 28MM, REEL DIAMETER IS 380MM TAPE WIDTHE IS 72MM, PER REEL QTY IS 180PCS, 360PCS/BOX.
- 11 PACKAGE TYPE IS TAPE AND REEL. THE PITCH IS 24MM, REEL DIAMETER IS 380MM TAPE WIDTHE IS 72MM, PER REEL QTY IS 180PCS, 360PCS/BOX. THE COLOR OF POCKET TAPE IS BLACK.



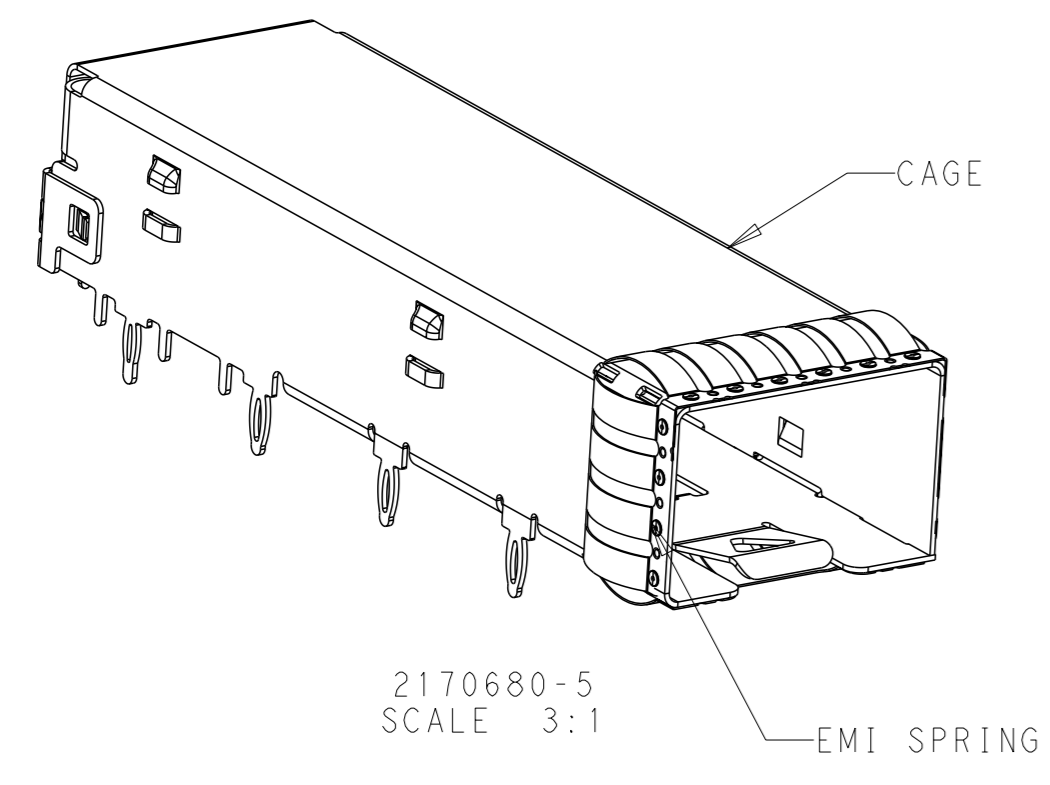
2170680-2  
SAME AS 2170680-1 EXCEPT AS SHOWN  
TOP VIEW



APPROXIMATE LOCATION OF LASER DATE CODE



W/O INSULATING TAPE	WITHOUT LOCATE PIN	3-2170680-1
W/O INSULATING TAPE	WITHOUT KICK-OUT SPRING/ EMI HOLES	2-2170680-1
W/O INSULATING TAPE	NO HOLES/NO SPRING	2170680-7
W/O INSULATING TAPE	NO HOLES	2170680-5
W/O INSULATING TAPE	EMI HOLES	2170680-4
W/ INSULATING TAPE	EMI HOLES	2170680-3
W/O INSULATING TAPE	HEATSINK OPENING	2170680-2
W/O INSULATING TAPE	EMI HOLES	2170680-1
INSULATING TAPE	DESCRIPTION	PART NUMBER

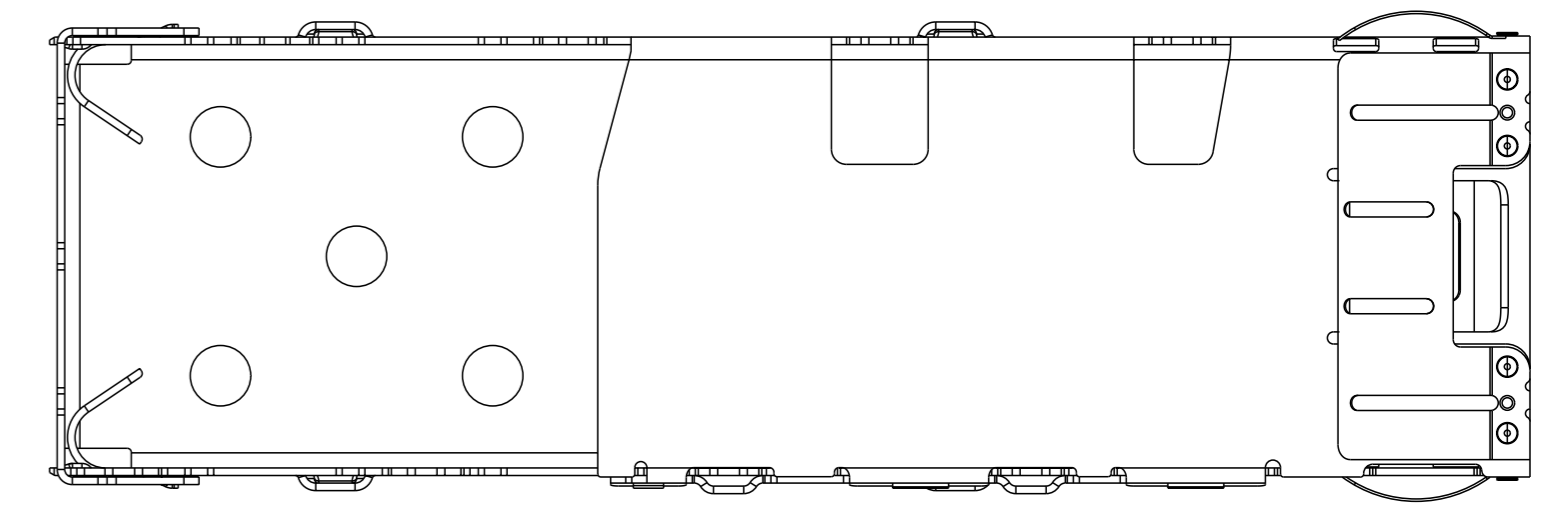
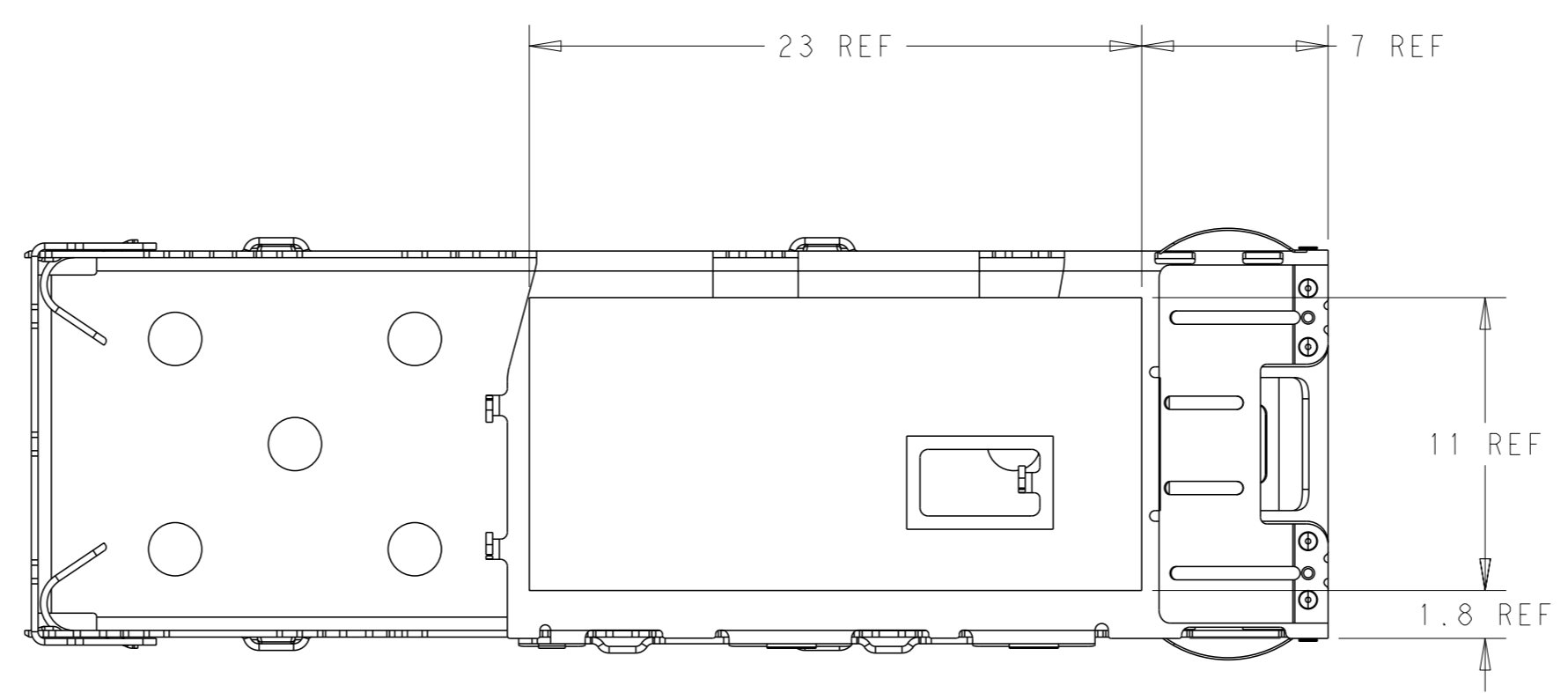
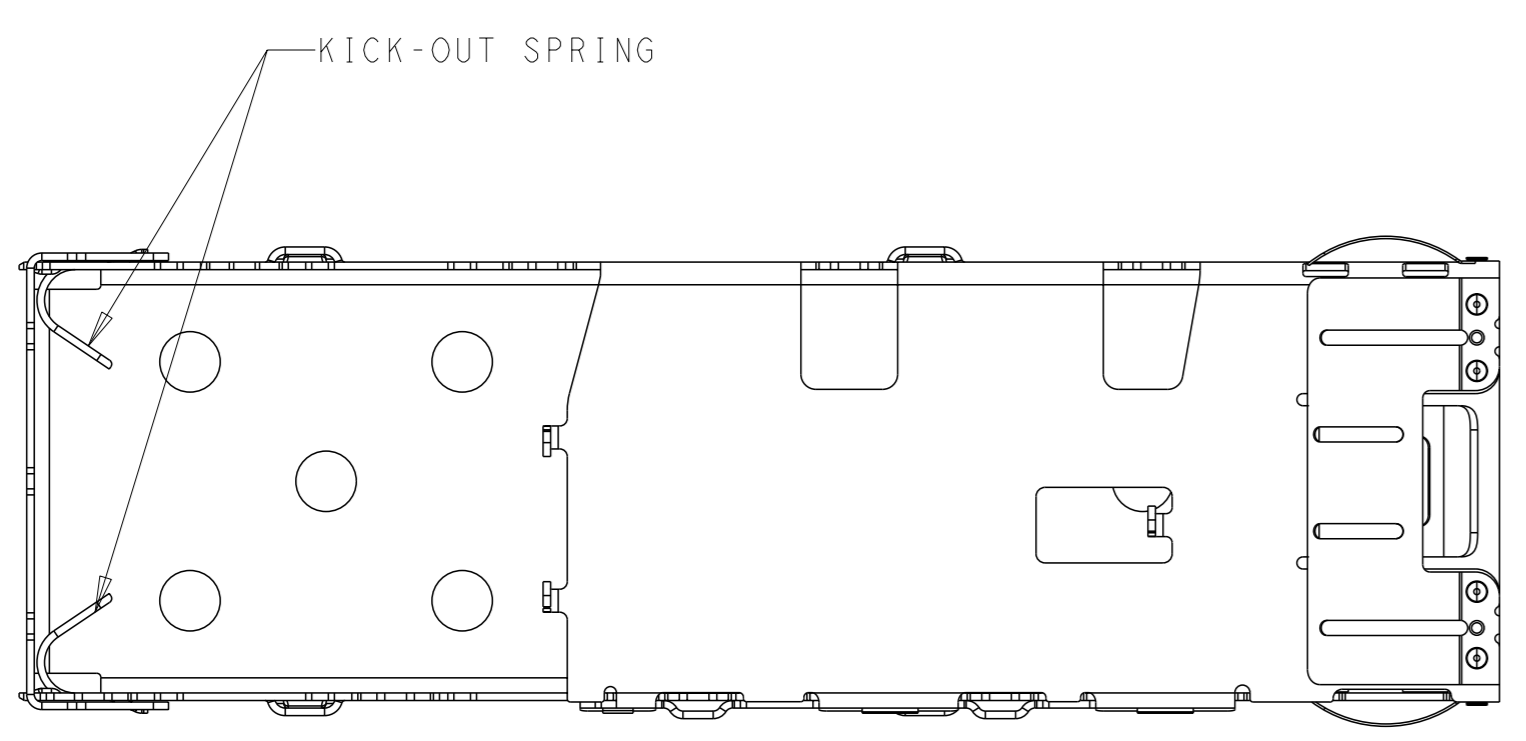
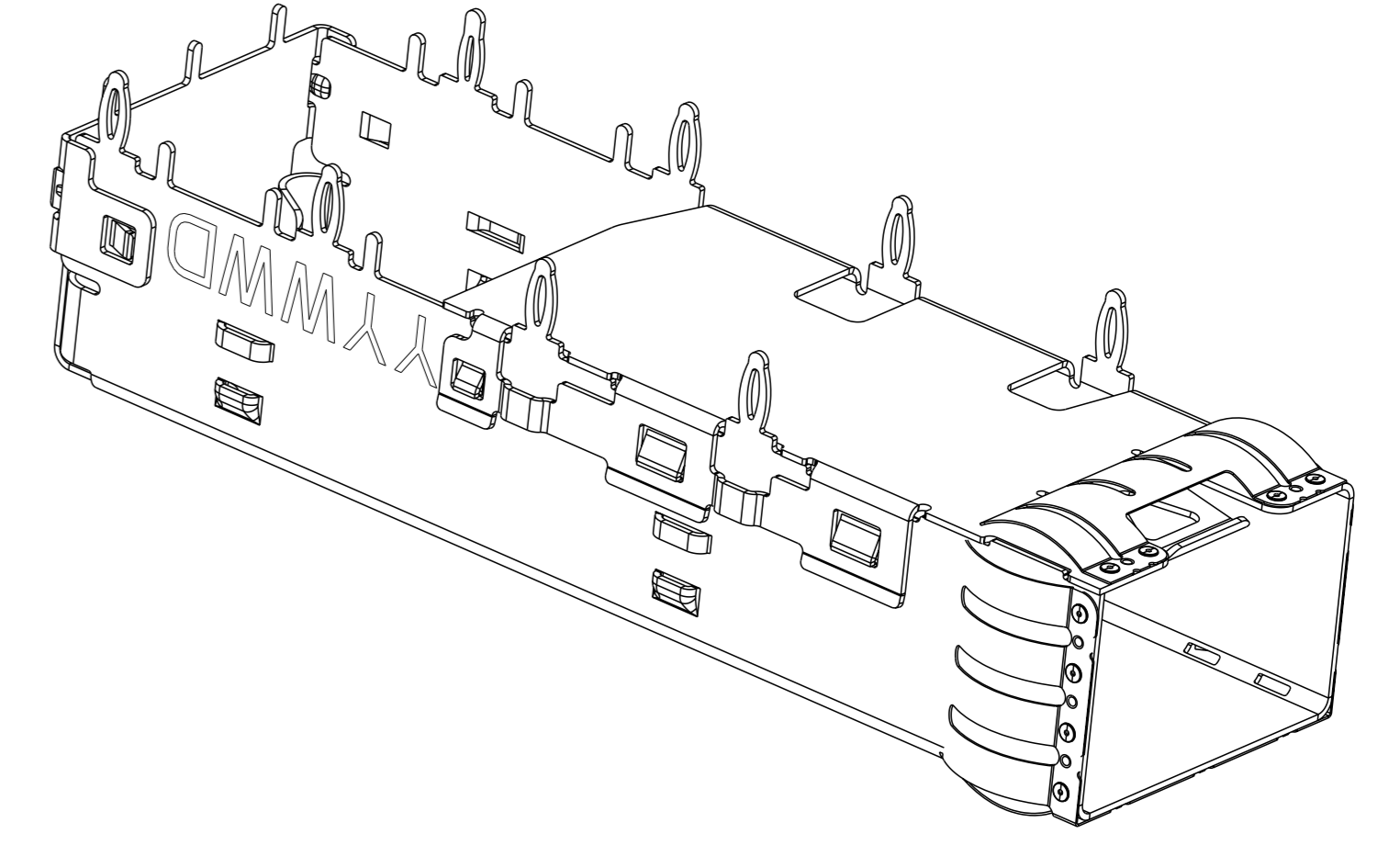
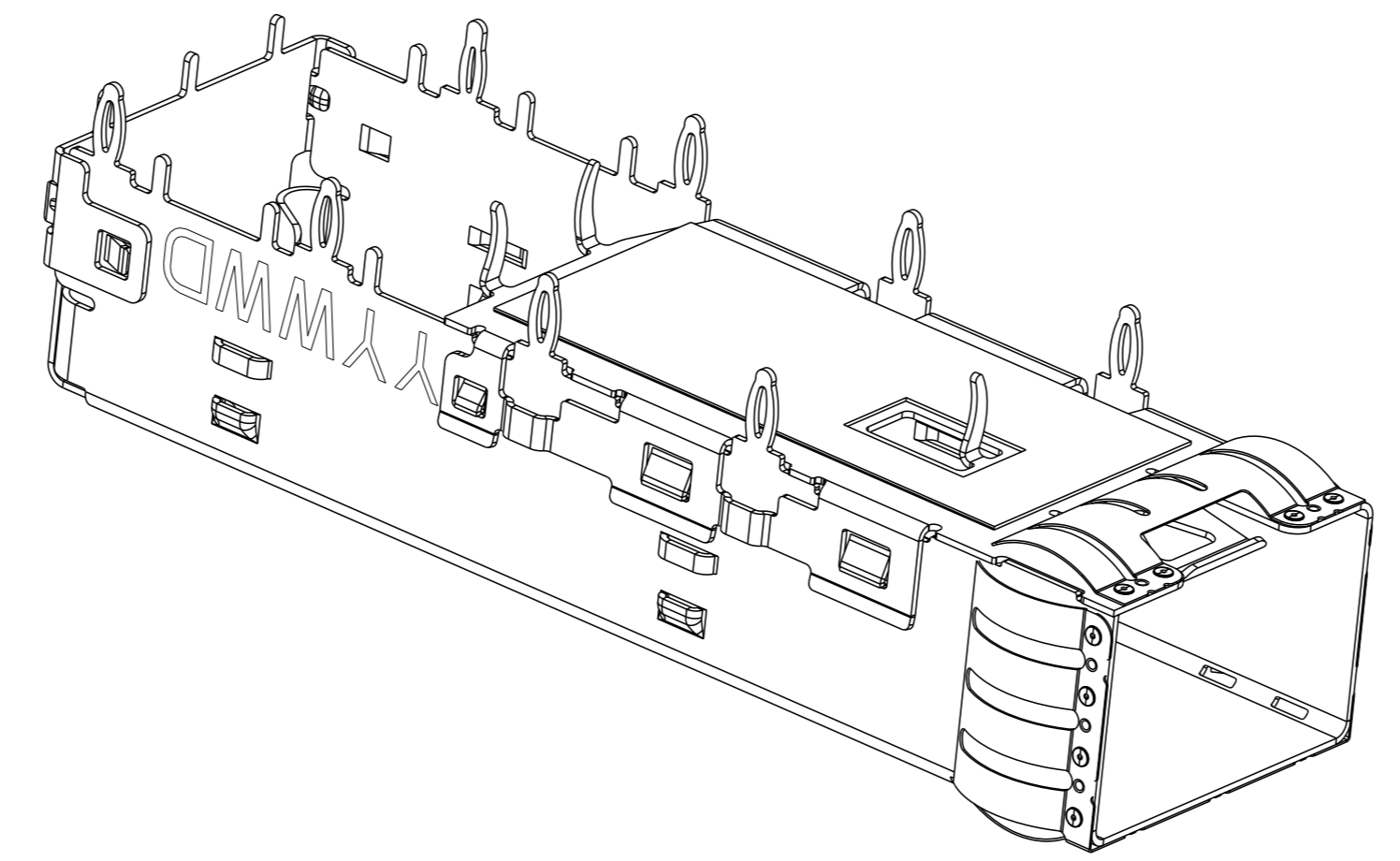
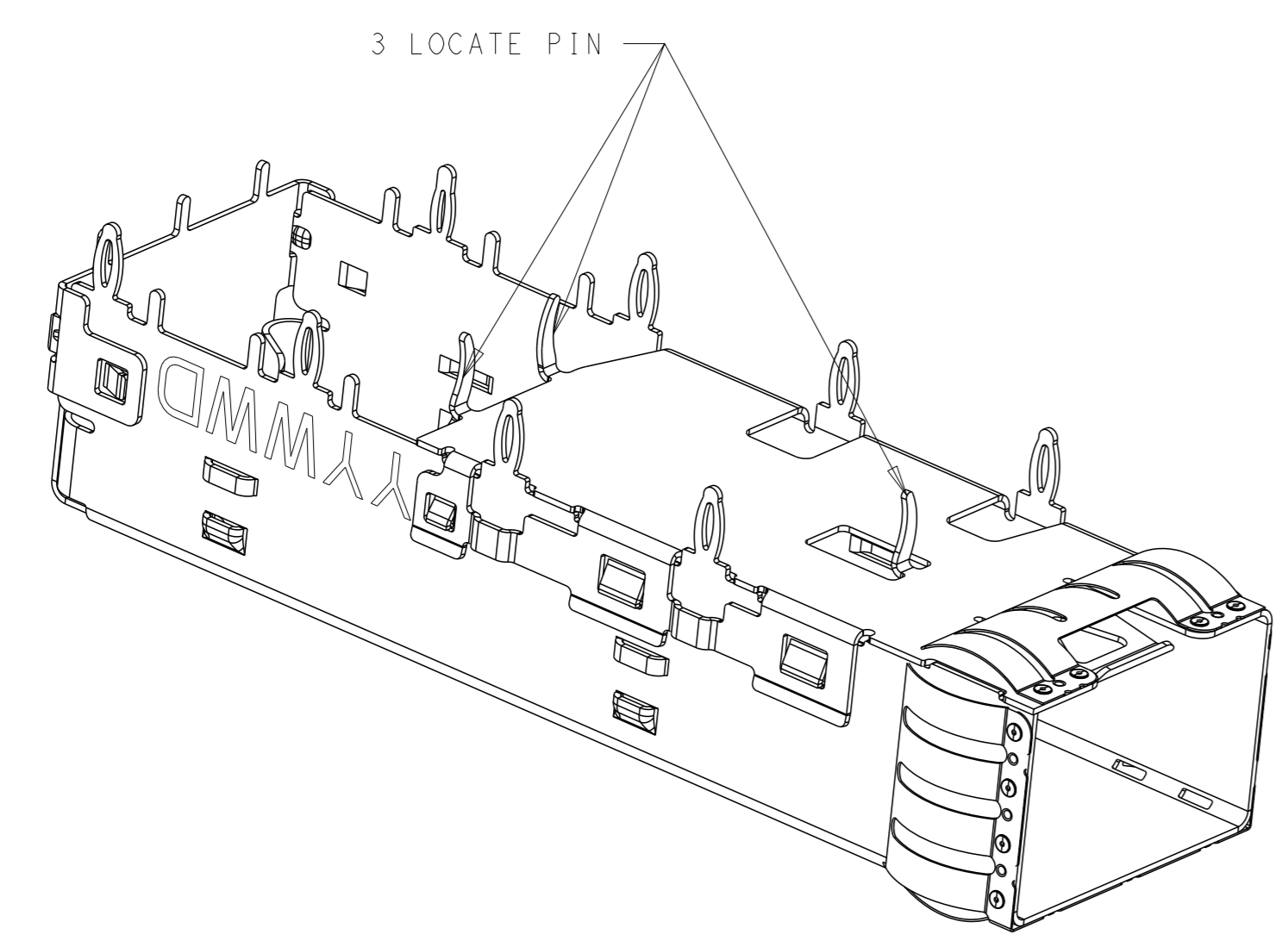


THIS DRAWING IS A CONTROLLED DOCUMENT.

DIMENSIONS: I/D 	TOLERANCES UNLESS OTHERWISE SPECIFIED: 0 PLC ±0.1 1 PLC ±.1 2 PLC ±.1 3 PLC ±.05 4 PLC ±.05 ANGLES FINISH	OWN: CHARLES WAN 24DEC2014 CHK: SEAN HAN 24DEC2014 APVD: SEAN HAN 24DEC2014 PRODUCT SPEC 108-2364 APPLICATION SPEC 114-13120 WEIGHT CUSTOMER DRAWING	TE Connectivity NAME: SFP+ 1X1 CAGE ASSEMBLY, PRESS-FIT PRESS-FIT, EMI SPRINGS SIZE: A1 CAGE CODE: 00779 DRAWING NO: C=2170680 RESTRICTED TO: - SCALE: 6:1 SHEET: 1 OF 5 REV: A3
------------------------	---	--	--



LOC	DIST	REVISIONS					
GP	00	P	LY#	DESCRIPTION	DATE	OWN	APVD
		-		SEE SHEET 1			

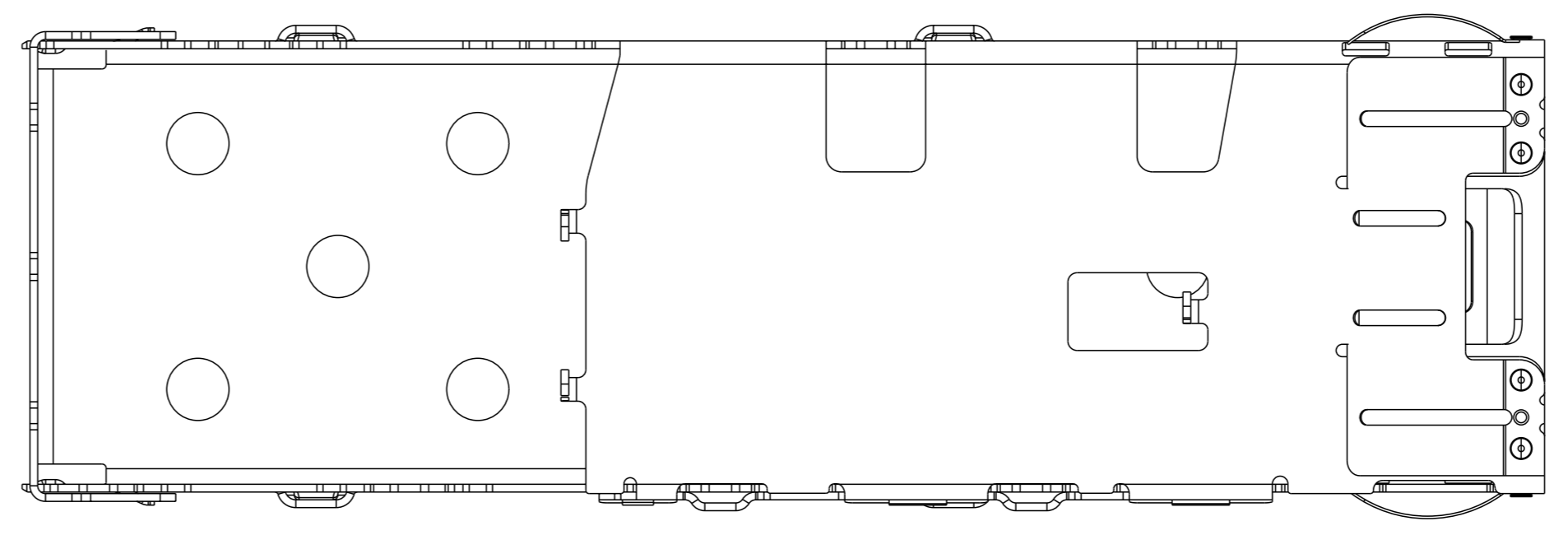
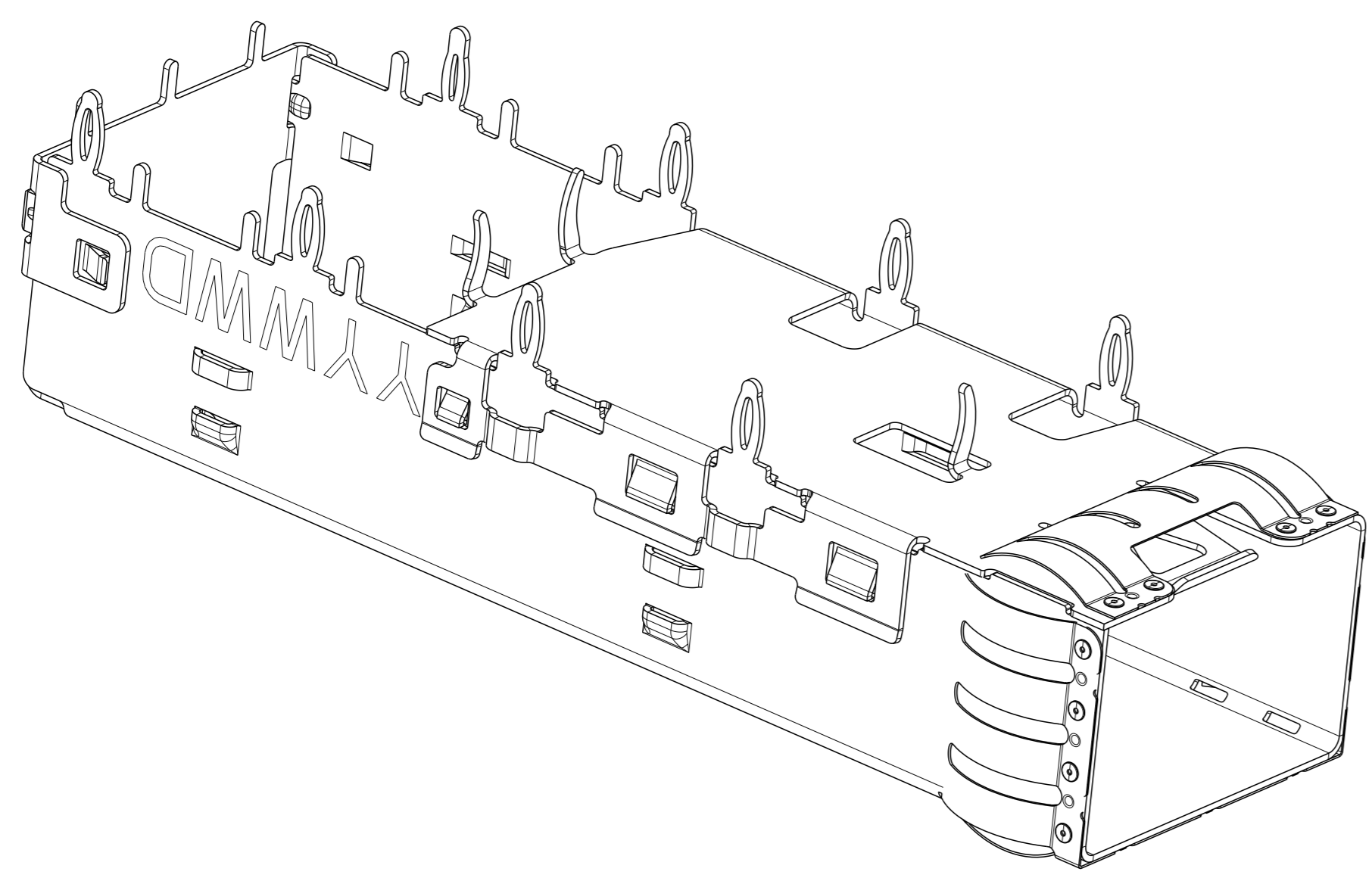


2170680-1, 2170680-4  
 SCALE 4:1

2170680-3  
 SCALE 4:1

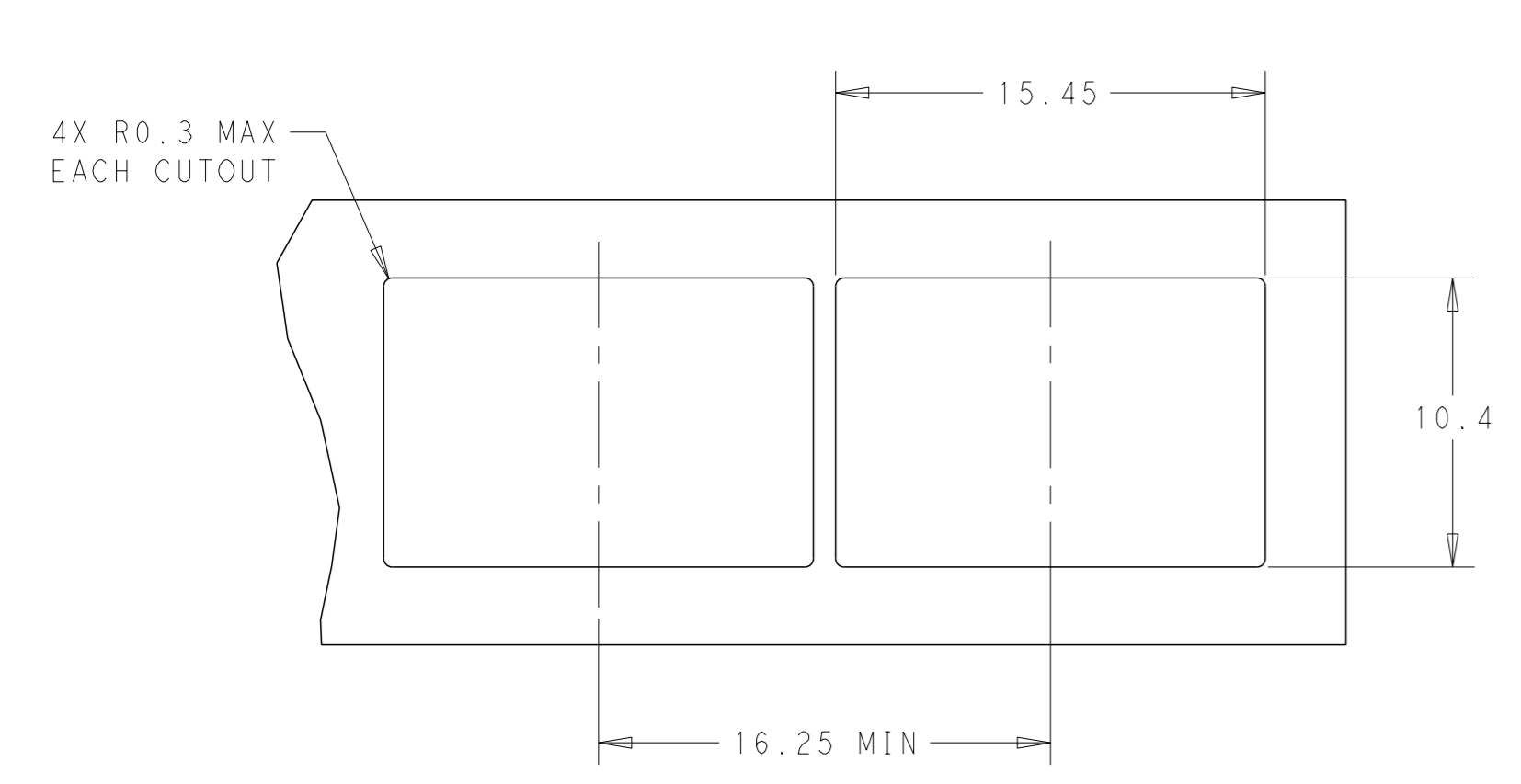
3-2170680-1  
 SAME TO 2170680-1  
 WITHOUT 3 LOCATE PIN  
 SCALE 4:1

2-2170680-1  
 SAME TO 2170680-1 EXCEPT KICK-OUT SPRING

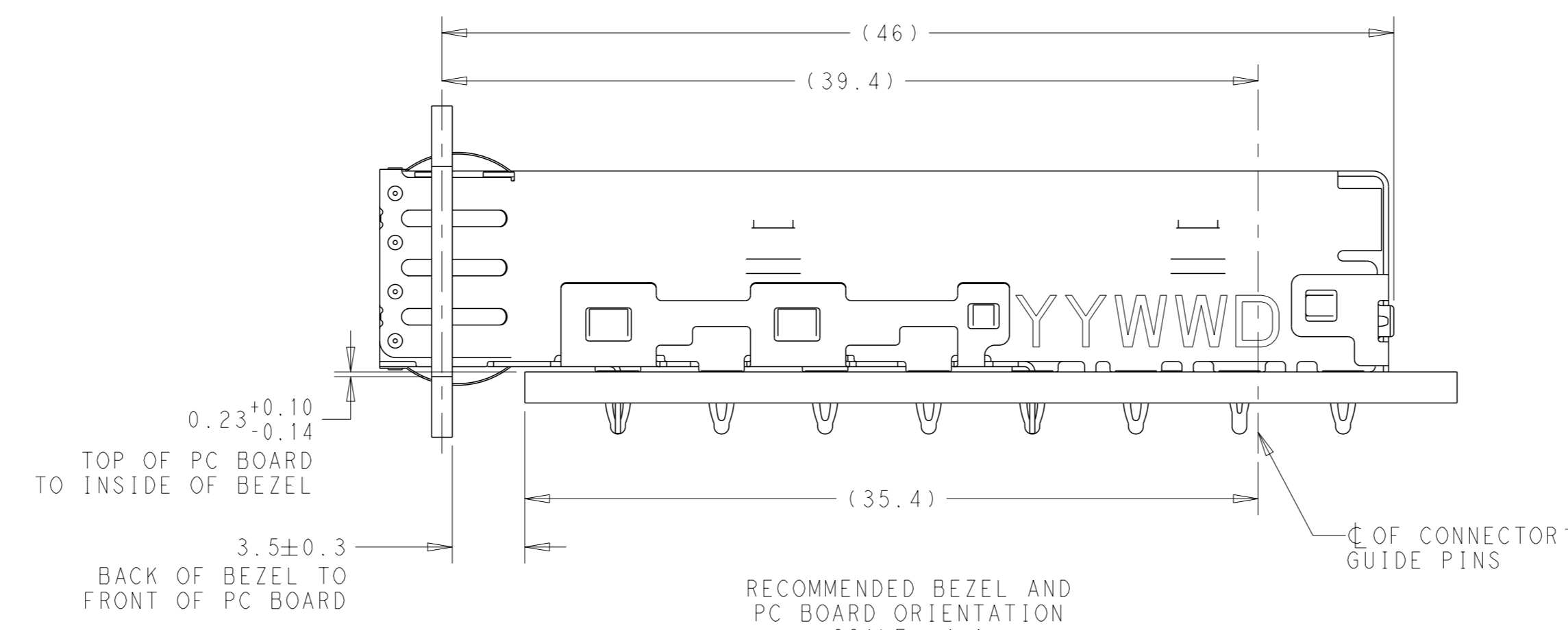


THIS DRAWING IS A CONTROLLED DOCUMENT.		OWN: CHARLES WAN 24DEC2014	TE Connectivity NAME: SFP+ 1X1 CAGE ASSEMBLY, PRESS-FIT PRESS-FIT, EMI SPRINGS
DIMENSIONS:		CHK: SEAN HAN 24DEC2014	
TOLERANCES UNLESS OTHERWISE SPECIFIED:		APVD: SEAN HAN 24DEC2014	
FINISH		PRODUCT SPEC	
1 IN	0 PLC ±0.1	108-2364	SIZE: CAGE CODE DRAWING NO
	2 PLC ±.1	APPLICATION SPEC	RESTRICTED TO
	3 PLC ±.1	114-13120	A100779C=2170680
	4 PLC ±.05	WEIGHT	SCALE: 6:1 SHEET 2 OF 5 REV A3
	ANGLES	CUSTOMER DRAWING	

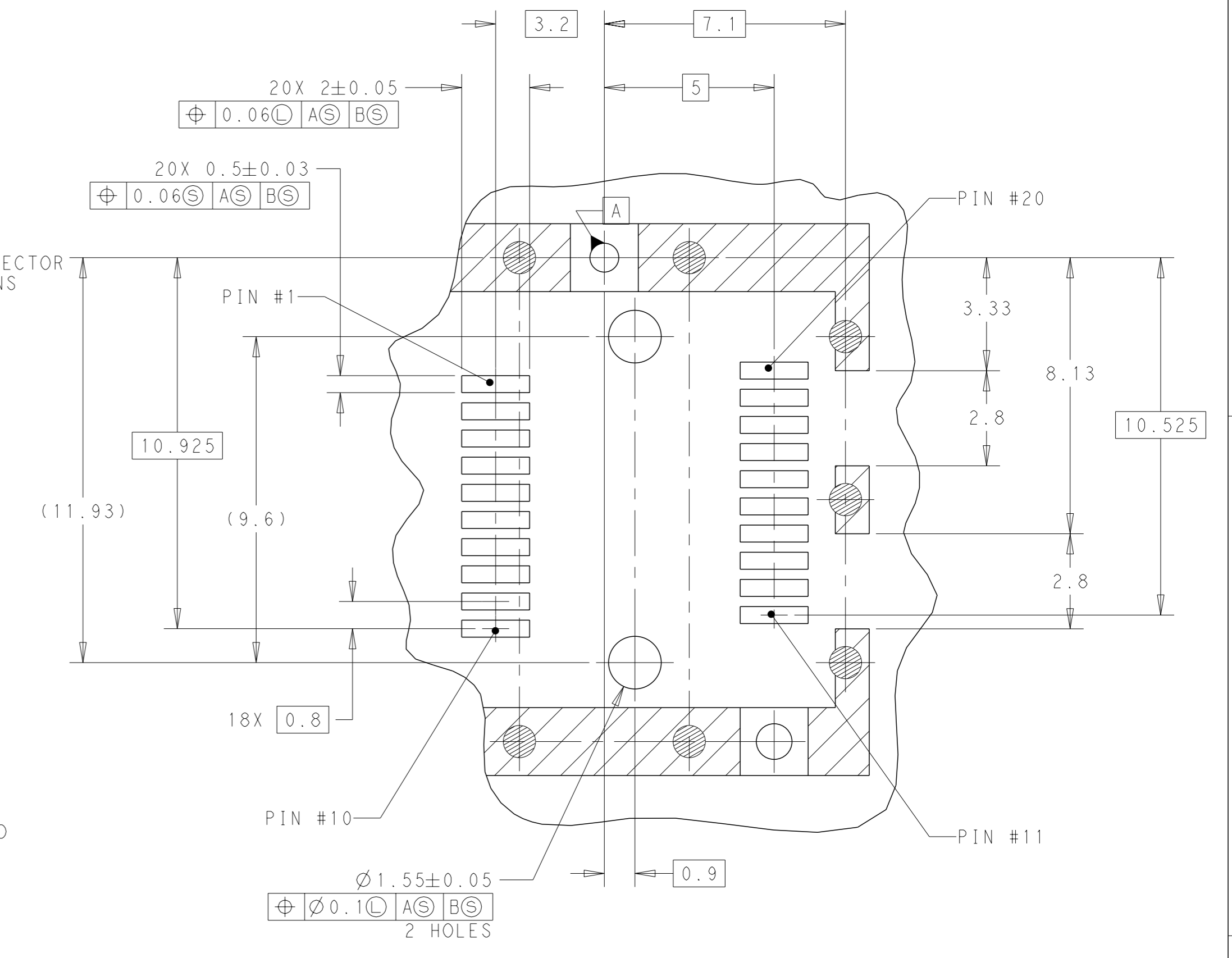
LOC	DIST	REV	DESCRIPTION	DATE	OWN	APVD
GP	00		SEE SHEET 1			



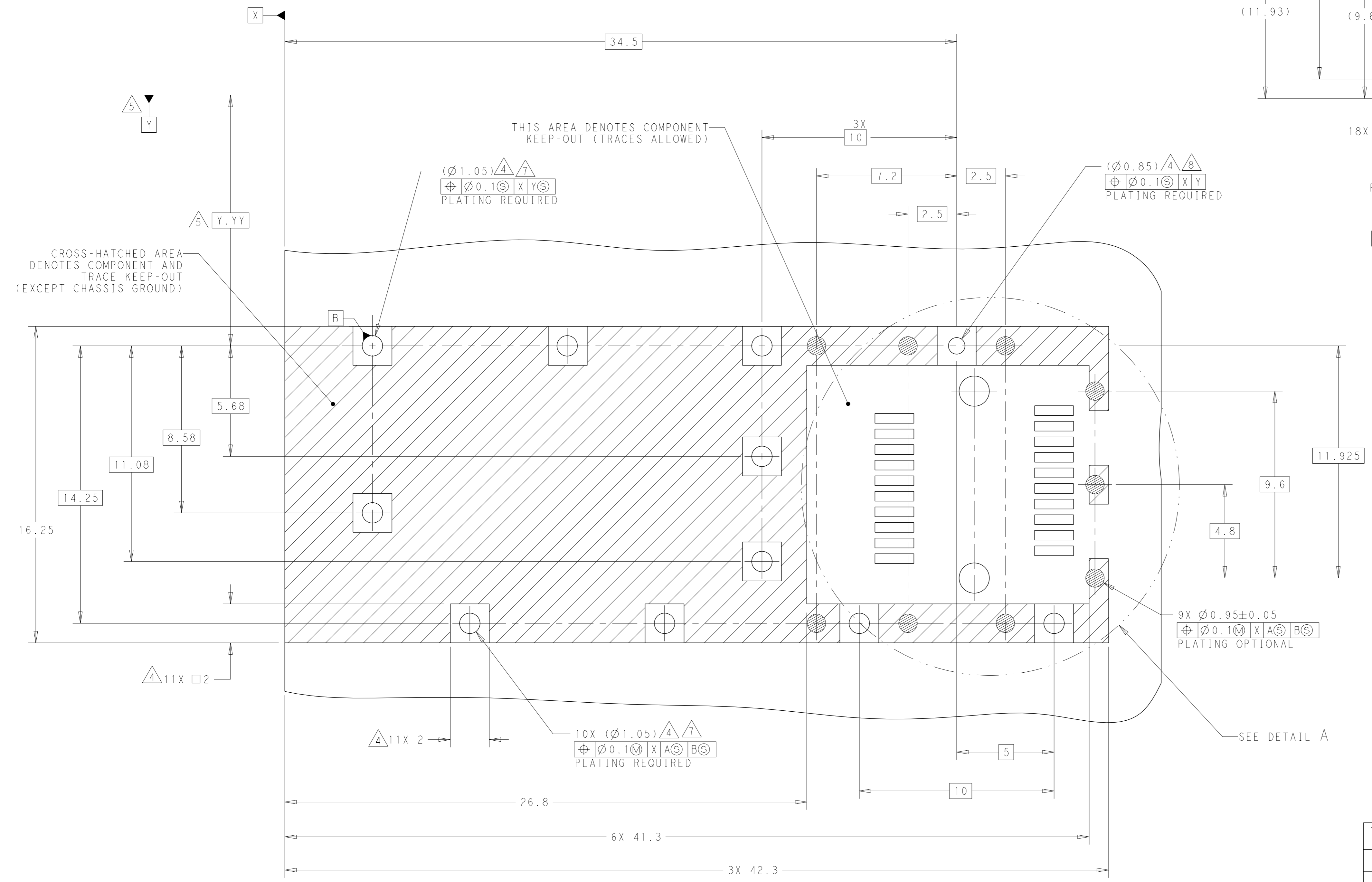
RECOMMENDED BEZEL CUTOUT  
SCALE 4:1



RECOMMENDED BEZEL AND  
PC BOARD ORIENTATION  
SCALE 4:1



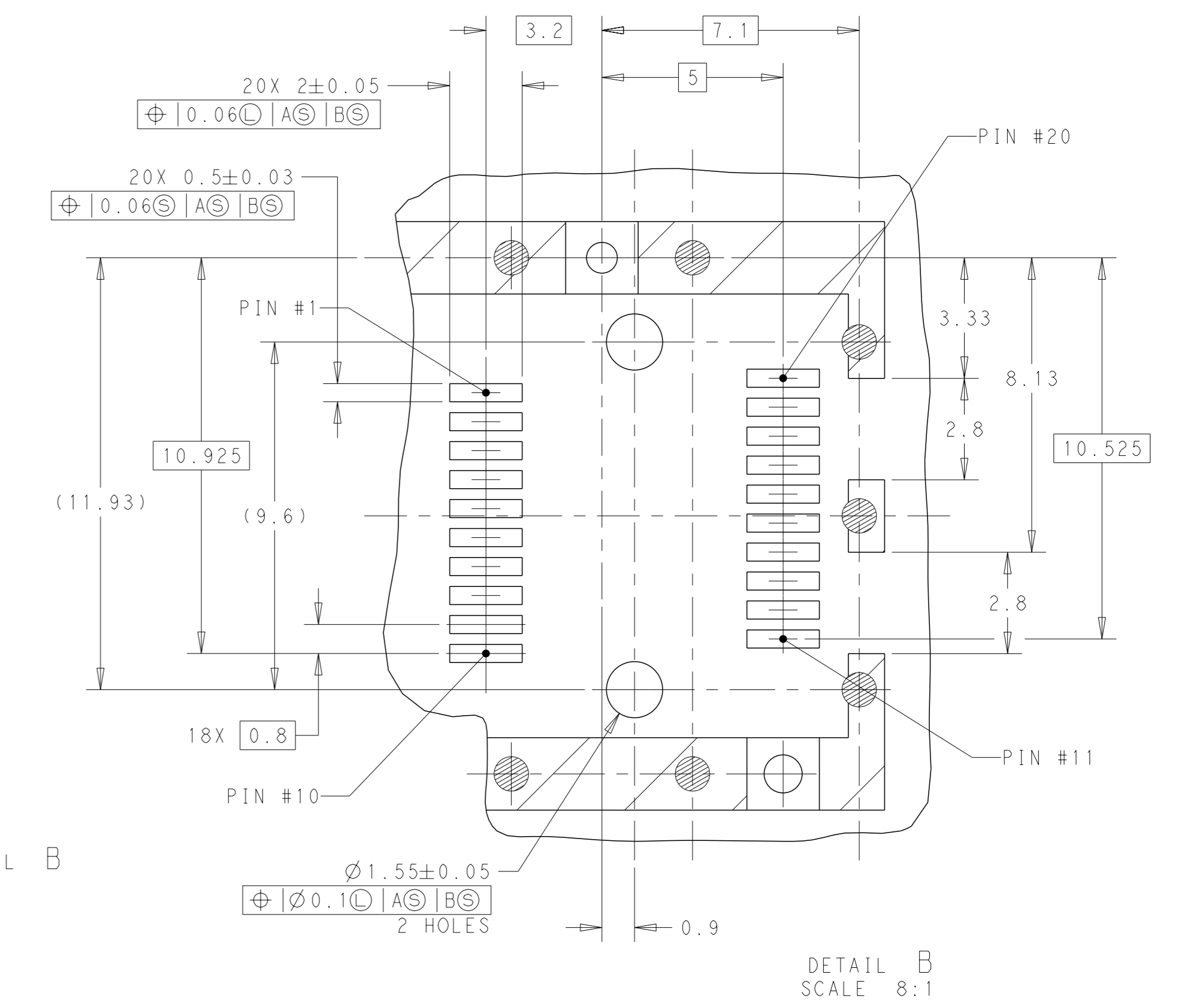
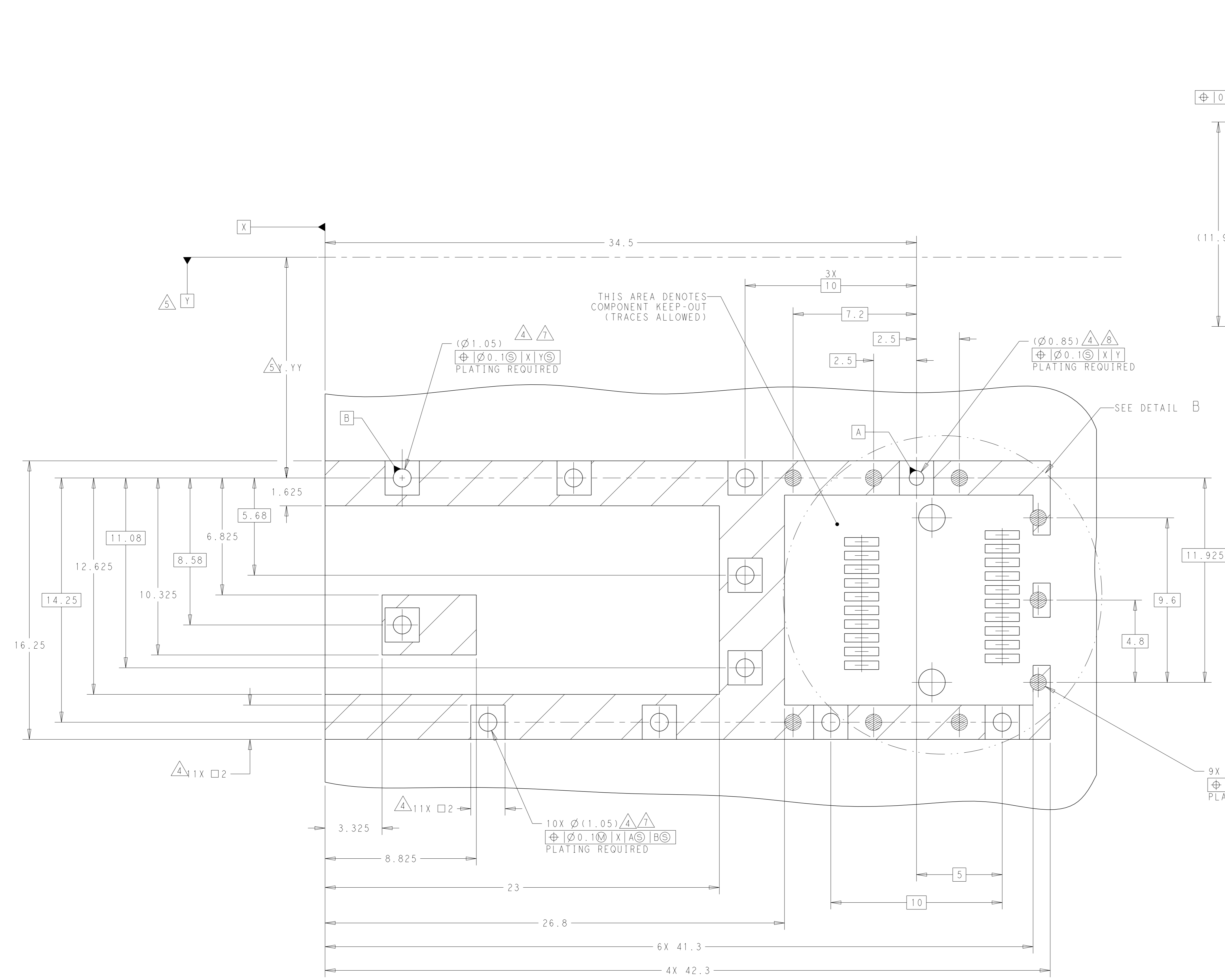
DETAIL A  
SCALE 8:1



RECOMMENDED PCB LAYOUT  
SCALE 8:1

THIS DRAWING IS A CONTROLLED DOCUMENT.		OWN: CHARLES WAN 24DEC2014	TE Connectivity
DIMENSIONS: IN		CHK: SEAN HAN 24DEC2014	
TOLERANCES UNLESS OTHERWISE SPECIFIED:		APVD: SEAN HAN 24DEC2014	NAME: SFP+ 1X1 CAGE ASSEMBLY, PRESS-FIT PRESS-FIT, EMI SPRINGS
0 PLC ±0.1	1 PLC ±.1	PRODUCT SPEC: 108-2364	SIZE: A1
2 PLC ±.1	3 PLC ±.05	APPLICATION SPEC: 114-13120	CAGE CODE: 100779
4 PLC ±.05	ANGLES ±.05	WEIGHT: -	DRAWING NO: C=2170680
MATERIAL: -	FINISH: -	CUSTOMER DRAWING	SCALE: 2:1 SHEET 3 OF 5 REV: A3

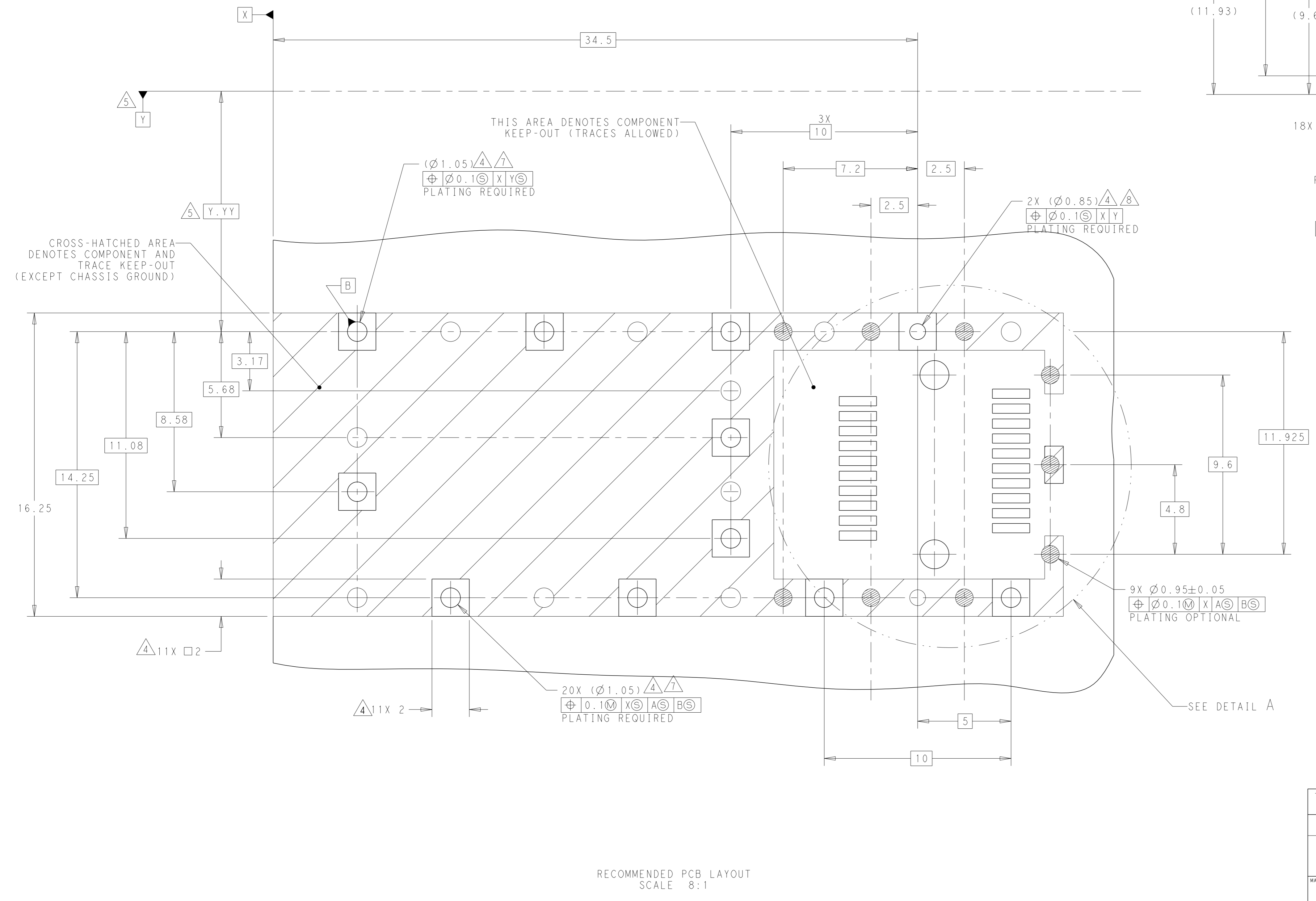
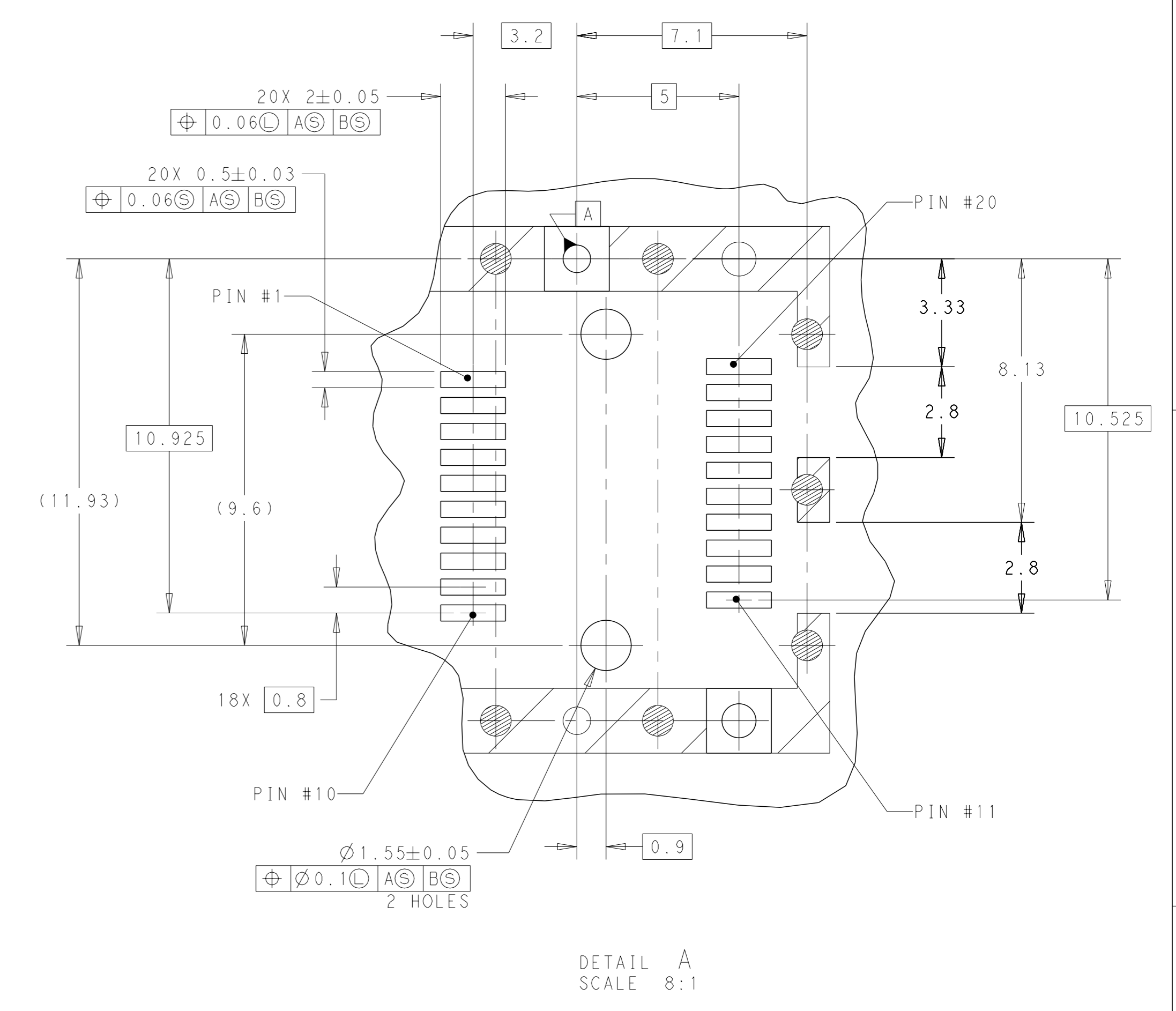
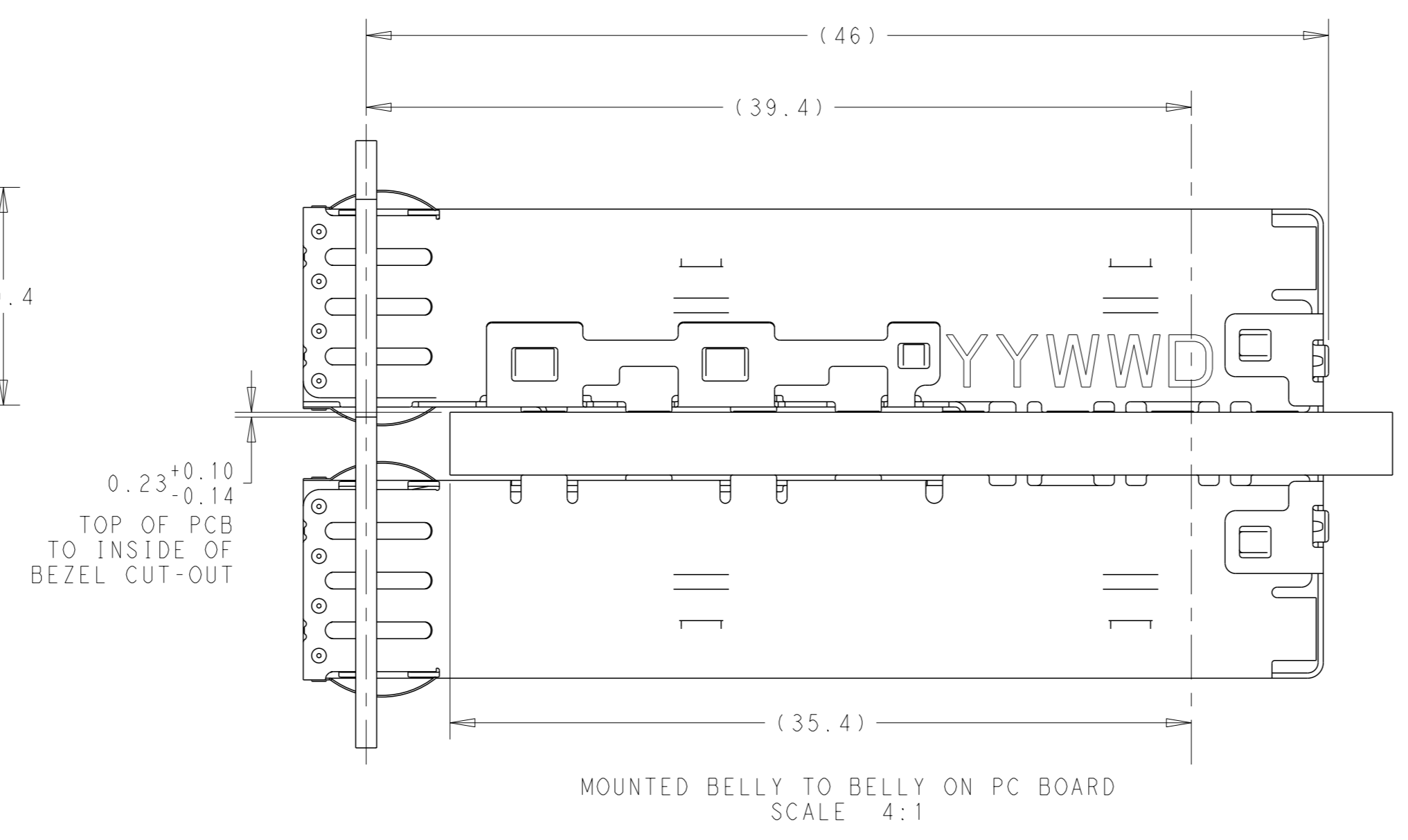
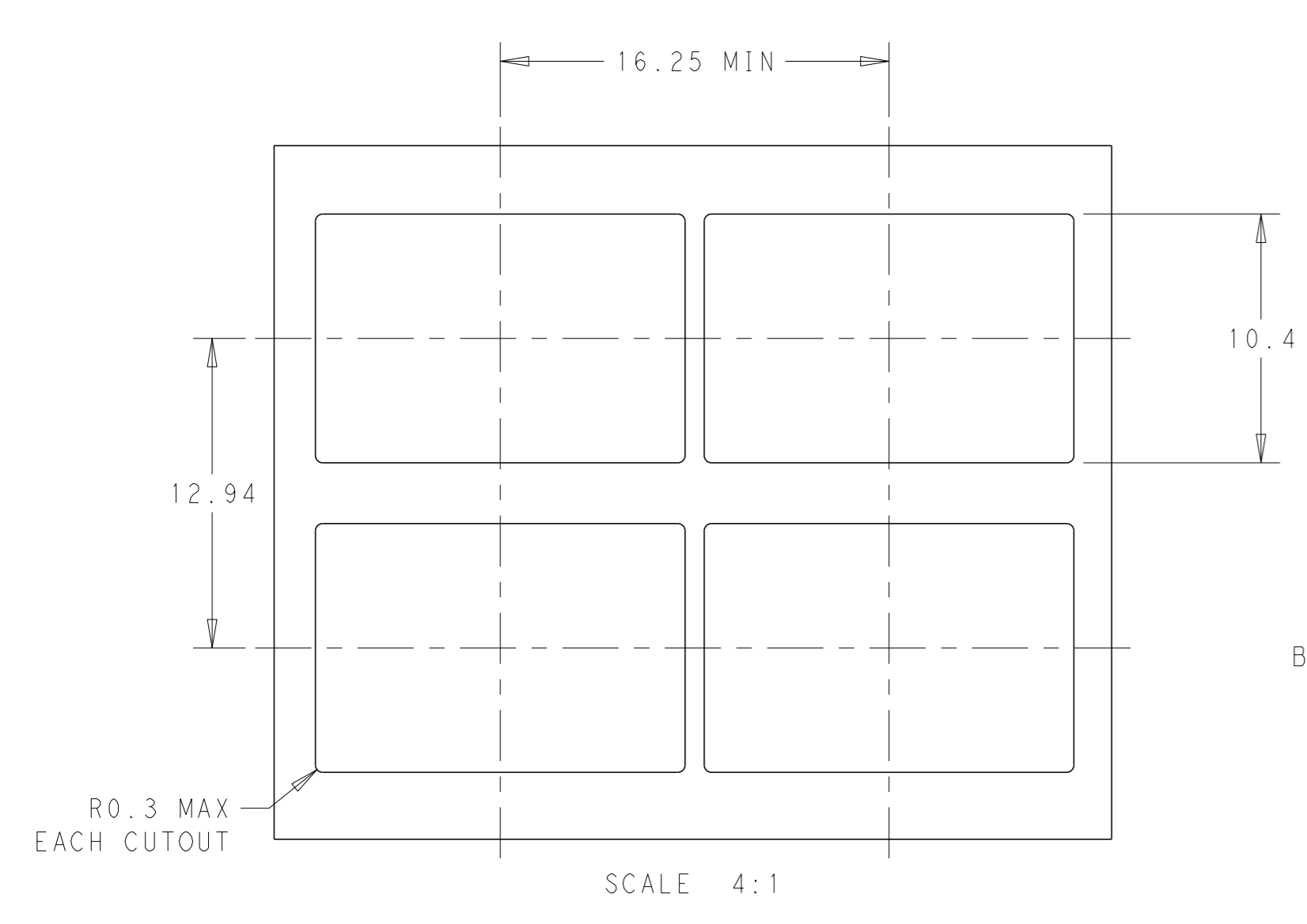
LOC	DIST	REVISIONS				
GP	00	REV	DESCRIPTION	DATE	OWN	APVD
		-	SEE SHEET 1	-	-	-



RECOMMENDED PCB LAYOUT FOR WITH INSULATING TAPE PART  
SCALE 8:1

THIS DRAWING IS A CONTROLLED DOCUMENT.		OWN: CHARLES WAN 24DEC2014	TE Connectivity
DIMENSIONS: IN		CHK: SEAN HAN 24DEC2014	
TOLERANCES UNLESS OTHERWISE SPECIFIED:		APVD: SEAN HAN 24DEC2014	
0 PLC ±0.1 1 PLC ±.1 2 PLC ±.1 3 PLC ±.05 4 PLC ±.05 ANGLES FINISH		NAME: SFP+ 1X1 CAGE ASSEMBLY, PRESS-FIT PRESS-FIT, EMI SPRINGS PRODUCT SPEC: 108-2364 APPLICATION SPEC: 114-13120 WEIGHT: - CUSTOMER DRAWING	
MATERIAL: - FINISH: - SCALE: 2:1 SHEET 4 OF 5 REV: A3			SIZE: A1 CAGE CODE: 100779 DRAWING NO: C=2170680 RESTRICTED TO: -

LOC	DIST	REVISIONS				
GP	00	REV	DESCRIPTION	DATE	OWN	APVD
		-	SEE SHEET 1	-	-	-



THIS DRAWING IS A CONTROLLED DOCUMENT.		OWN CHARLES WAN 24DEC2014	TE Connectivity NAME SFP+ 1X1 CAGE ASSEMBLY, PRESS-FIT PRESS-FIT, EMI SPRINGS
DIMENSIONS: IN		CHK SEAN HAN 24DEC2014	
TOLERANCES UNLESS OTHERWISE SPECIFIED:		APVD SEAN HAN 24DEC2014	SIZE CAGE CODE DRAWING NO RESTRICTED TO
0 PLC ±0.1	1 PLC ±.1	PRODUCT SPEC 108-2364	A100779C=2170680
2 PLC ±.1	3 PLC ±.05	APPLICATION SPEC 114-13120	SCALE 1:1 SHEET 5 OF 5 REV A3
4 PLC ±.05	ANGLES ±.05	WEIGHT	CUSTOMER DRAWING