



Chipsmall Limited consists of a professional team with an average of over 10 year of expertise in the distribution of electronic components. Based in Hongkong, we have already established firm and mutual-benefit business relationships with customers from,Europe,America and south Asia,supplying obsolete and hard-to-find components to meet their specific needs.

With the principle of "Quality Parts,Customers Priority,Honest Operation,and Considerate Service",our business mainly focus on the distribution of electronic components. Line cards we deal with include Microchip,ALPS,ROHM,Xilinx,Pulse,ON,Everlight and Freescale. Main products comprise IC,Modules,Potentiometer,IC Socket,Relay,Connector.Our parts cover such applications as commercial,industrial, and automotives areas.

We are looking forward to setting up business relationship with you and hope to provide you with the best service and solution. Let us make a better world for our industry!



Contact us

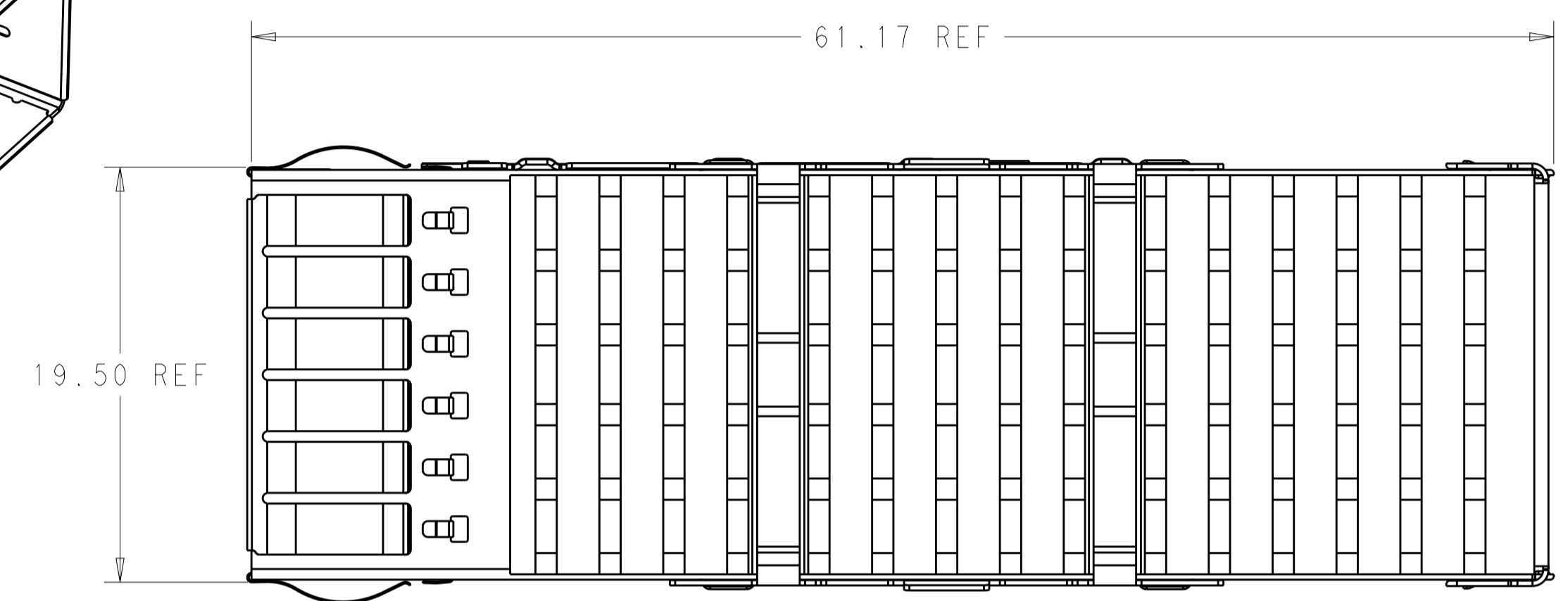
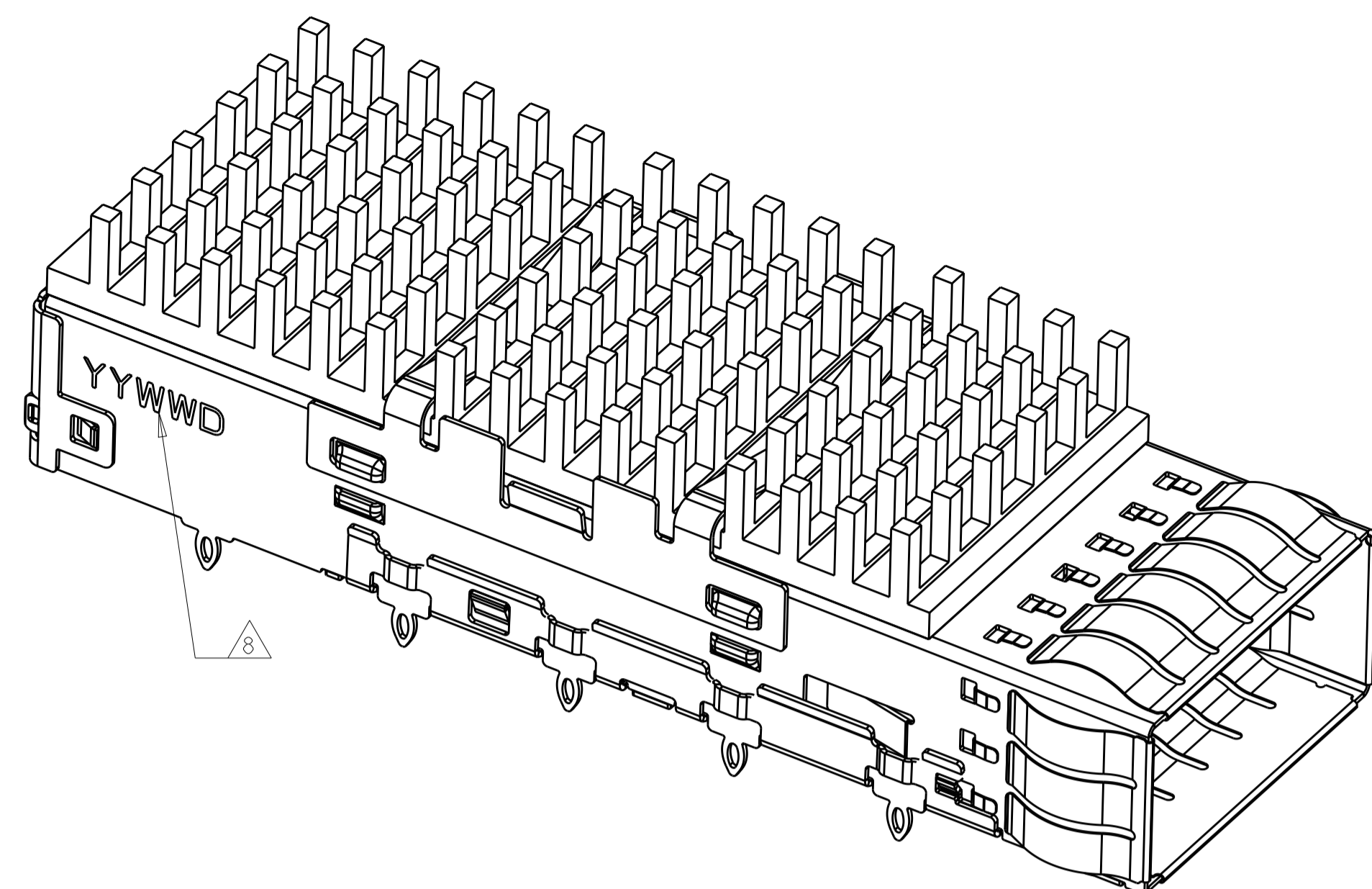
Tel: +86-755-8981 8866 Fax: +86-755-8427 6832

Email & Skype: info@chipsmall.com Web: www.chipsmall.com

Address: A1208, Overseas Decoration Building, #122 Zhenhua RD., Futian, Shenzhen, China

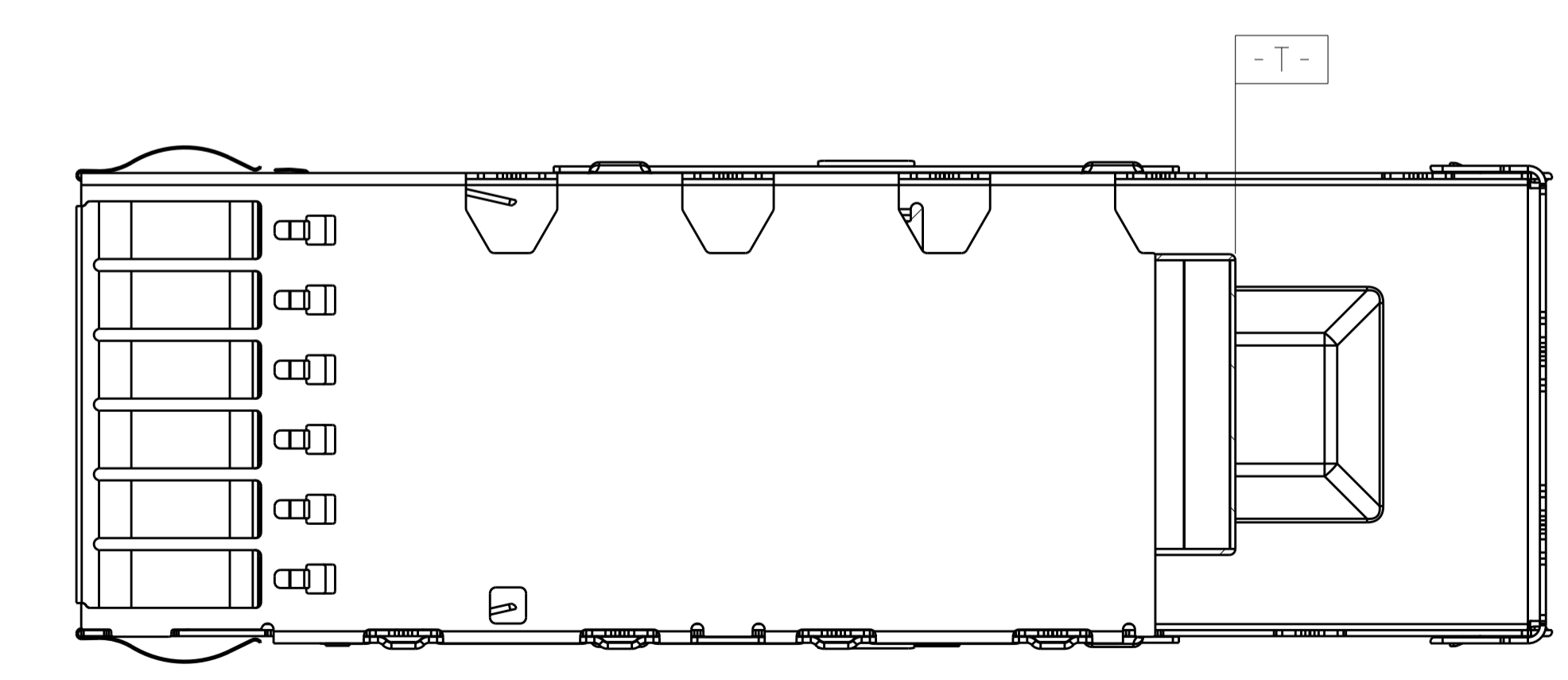
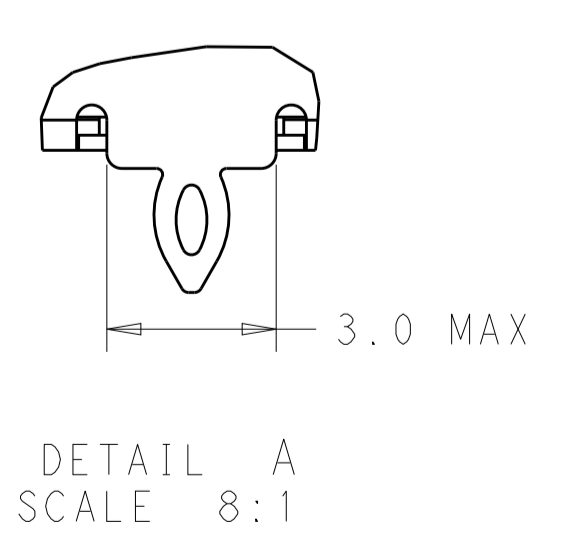
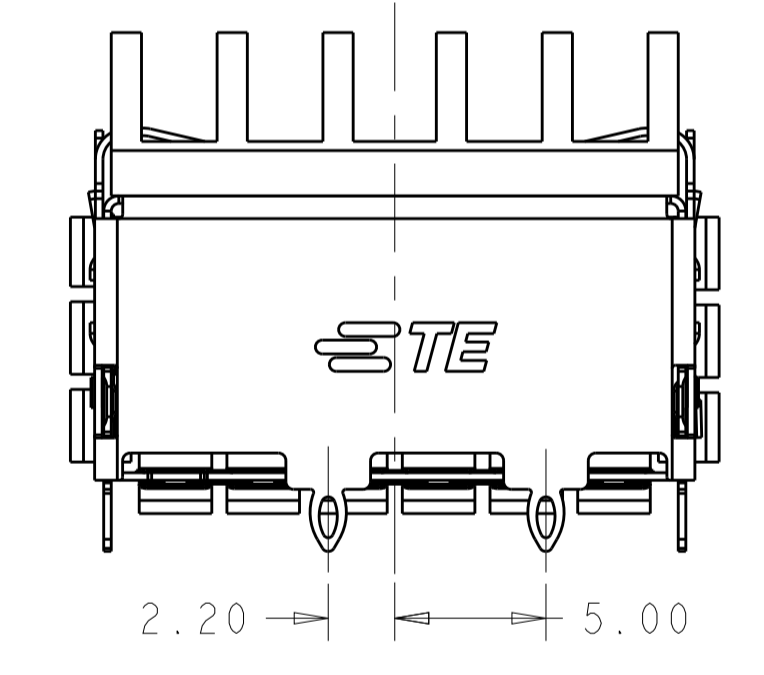
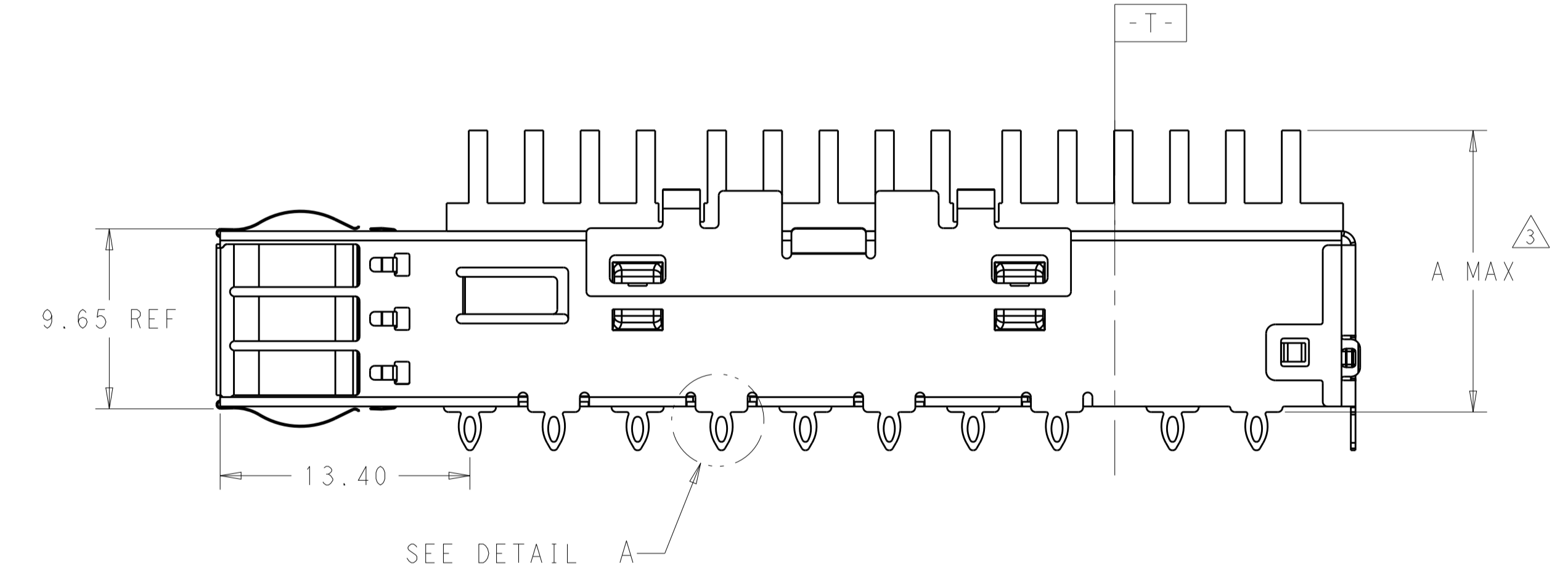
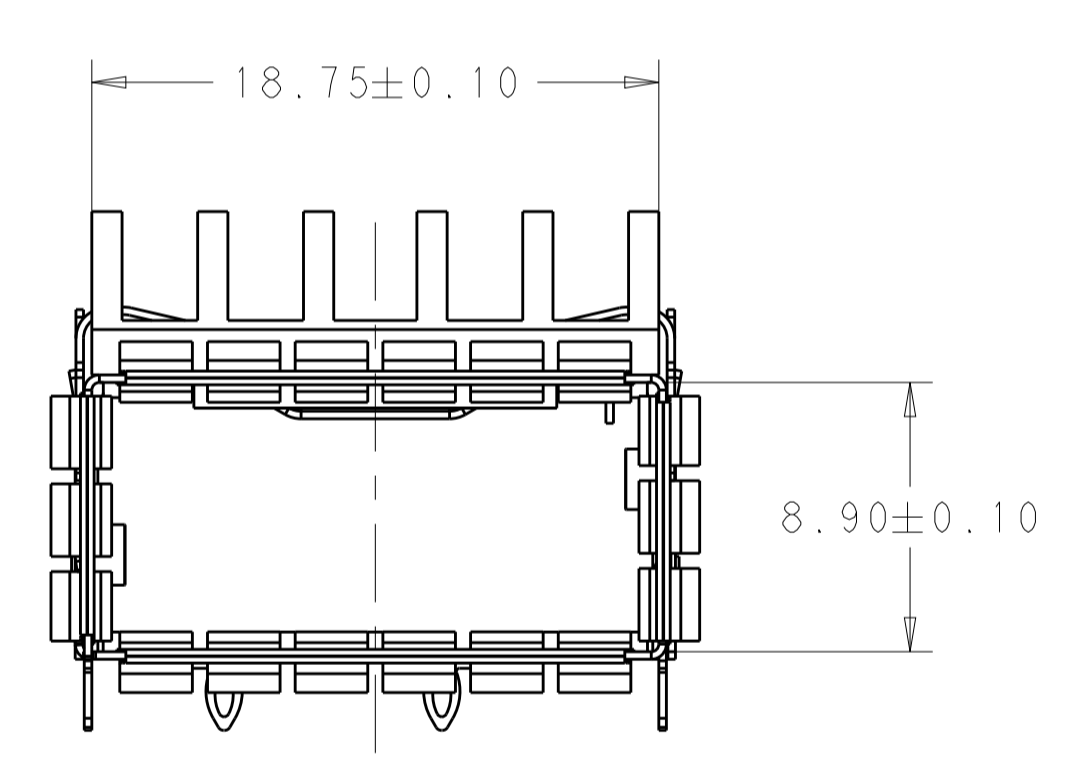


LOC	DIST	REVISIONS					
		P	LTN	DESCRIPTION	DATE	OWN	APVD
		A1		REVISED PER ECO-16-008561	07JUN2016	TX	SH
		B		REVISED PER ECO-16-010870	21JUL2016	JY	SH
		B1		REVISED PER ECO-16-014592	28SEP2016	RG	SH
		B2		REVISED PER ECO-17-002298	16FEB2017	RG	SH



- MATERIAL:
 CAGE MATERIAL : 0.25 THICK NICKEL SILVER.
 SPRING MATERIAL: COPPER ALLOY
 HEAT SINK MATERIAL: ALUMINUM
 CLIP MATERIAL: STAINLESS STEEL
- FINISH:
 SPRING: NICKEL PLATING
 HEAT SINK: BLACK ANODIZE

- ⚠ DIMENSION APPLIES WITH MODULE INSTALLED IN THE CAGE TO TOP OF HEAT SINK.
- ⚠ REFERENCE APPLICATION SPEC 114-32023 FOR RECOMMENDED DRILL HOLE DIAMETER AND PLATING THICKNESS.
- ⚠ DATUM AND BASIC DIMENSIONS ESTABLISHED BY CUSTOMERS.
- 6. MINIMUM PC BOARD THICKNESS : SINGLES SIDED: 1.57 MIN
 DOUBLE SIDED: 3.00 MIN
- ⚠ DATUM **-A-** IS TOP SURFACE OF THE HOST BOARD.
- ⚠ DATE CODE (YYWWD) MARKED APPROXIMATELY AS SHOWN
- 9. MATES WITH QSFP28 MSA COMPATIBLE TRANSCEIVER.



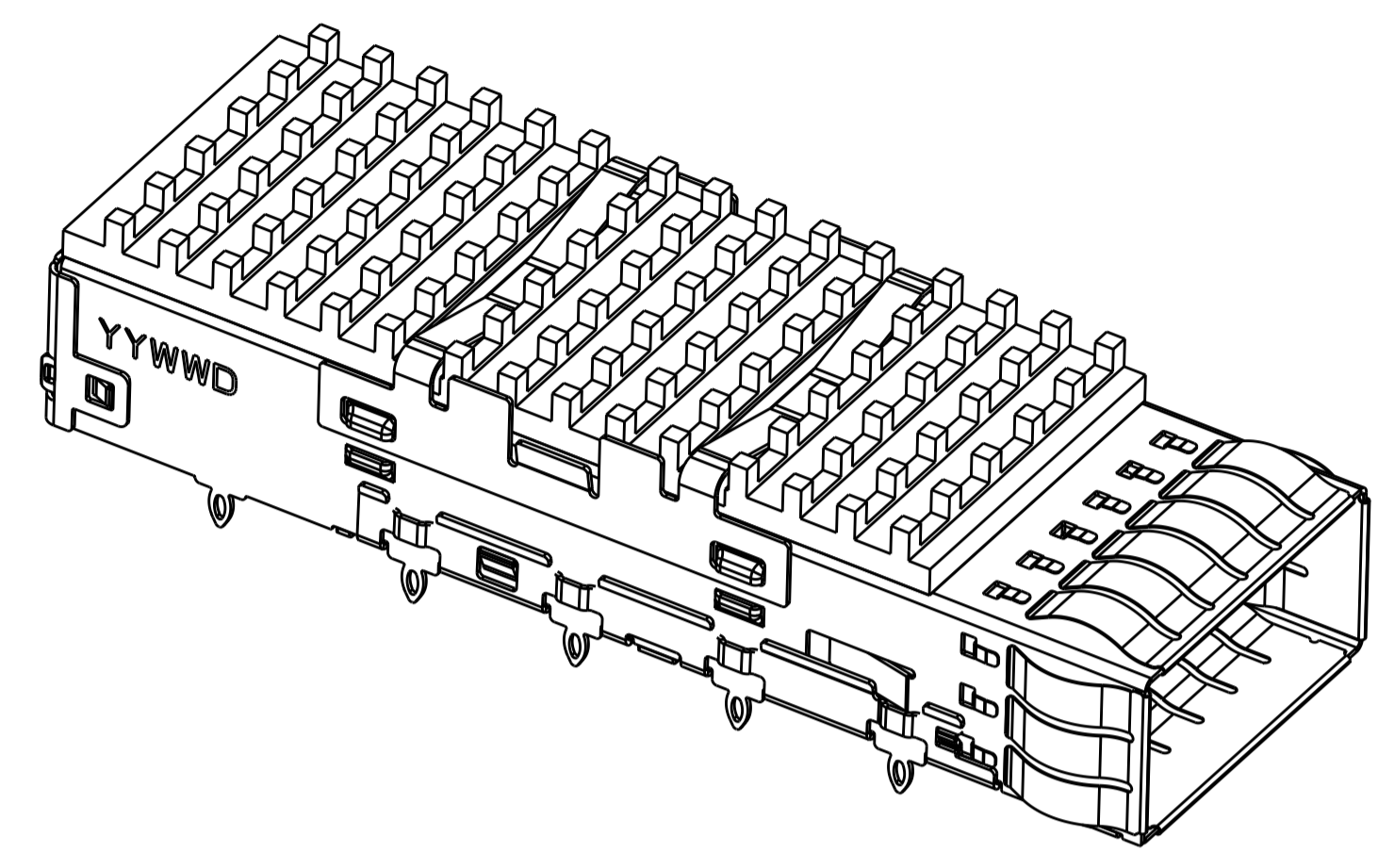
13.7	2	CUSTOMIZED	1-2170704-3
13.7	2	CUSTOMIZED	1-2170704-2
13.7	2	PCI	1-2170704-1
19.0	2	CUSTOMIZED	1-2170704-0
23.0	1	NETWORKING	2170704-9
16.0	1	SAN	2170704-8
13.7	1	PCI	2170704-7
23.0	0	NETWORKING	2170704-6
16.0	0	SAN	2170704-5
13.7	0	PCI	2170704-4
23.0	2	NETWORKING	2170704-3
16.0	2	SAN	2170704-2
13.7	2	PCI	2170704-1
DIM A	# REAR PINS	APPLICATION	PART NUMBER

2170704-2 AS SHOWN

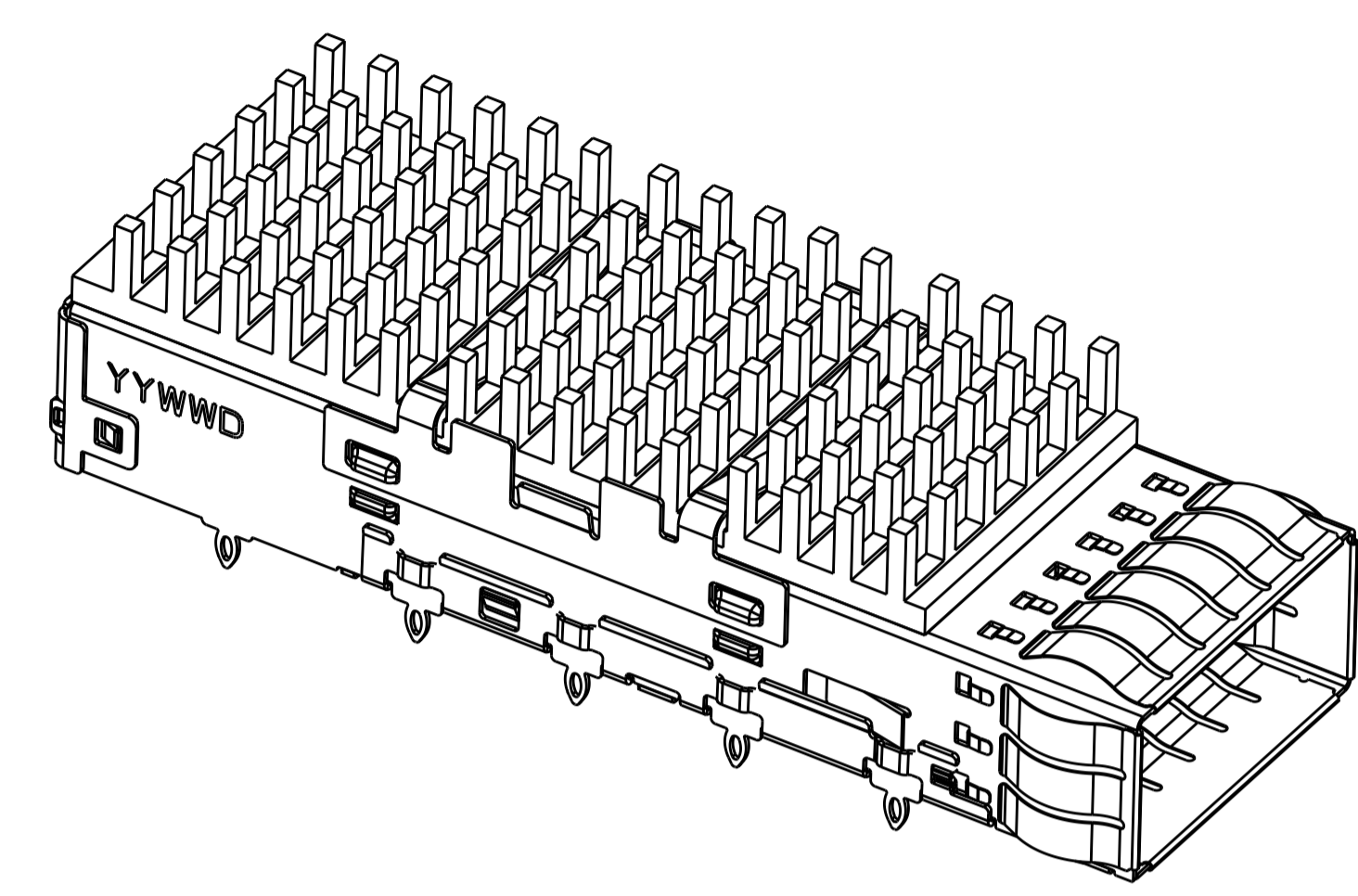
THIS DRAWING IS A CONTROLLED DOCUMENT.		OWN: JASON YANG 23SEP2013	TE Connectivity
DIMENSIONS: mm		CHK: SEAN HAN 23SEP2013	
TOLERANCES UNLESS OTHERWISE SPECIFIED:		APVD:	NAME: CAGE ASSEMBLY, QSFP28, THRU BEZEL WITH EMI SPRING FINGER HEAT SINK
0 PLC ±0.25 1 PLC ±0.25 2 PLC ±0.25 3 PLC ±0.25 4 PLC ±0.100 ANGLES ±°		PRODUCT SPEC: 108-19428 APPLICATION SPEC: 114-32023	
MATERIAL:		WEIGHT:	SIZE: A100779 CAGE CODE: C=2170704 CUSTOMER DRAWING
		SCALE: 2:1	SHEET 1 OF 7 REV B2

LOC		DIST		REVISIONS			
P	LTN	DESCRIPTION	DATE	OWN	APVD		
-	-	SEE SHEET 1	-	-	-		

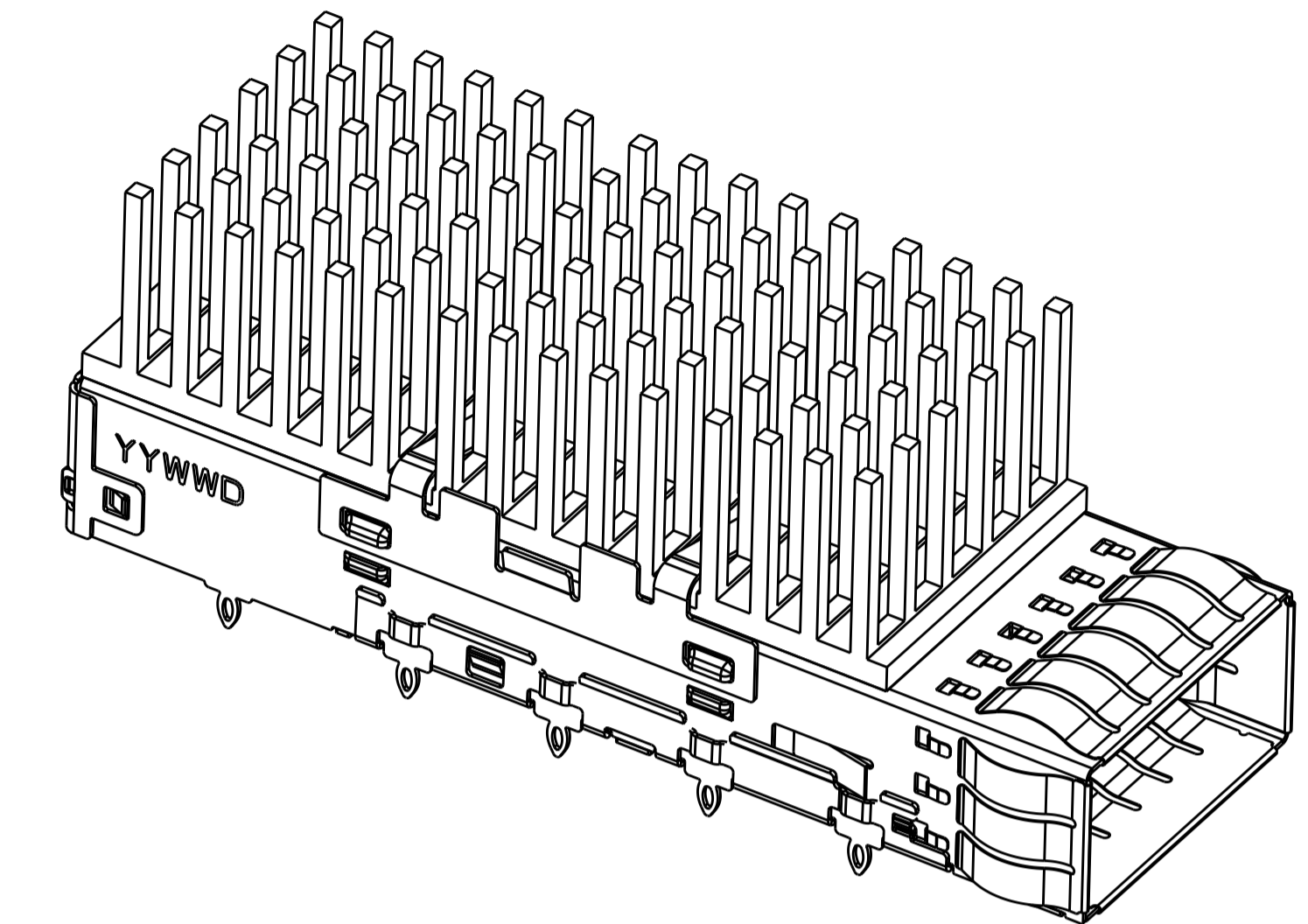
HEAT SINK OPTIONS



PCI HEAT SINK
SCALE 3:1

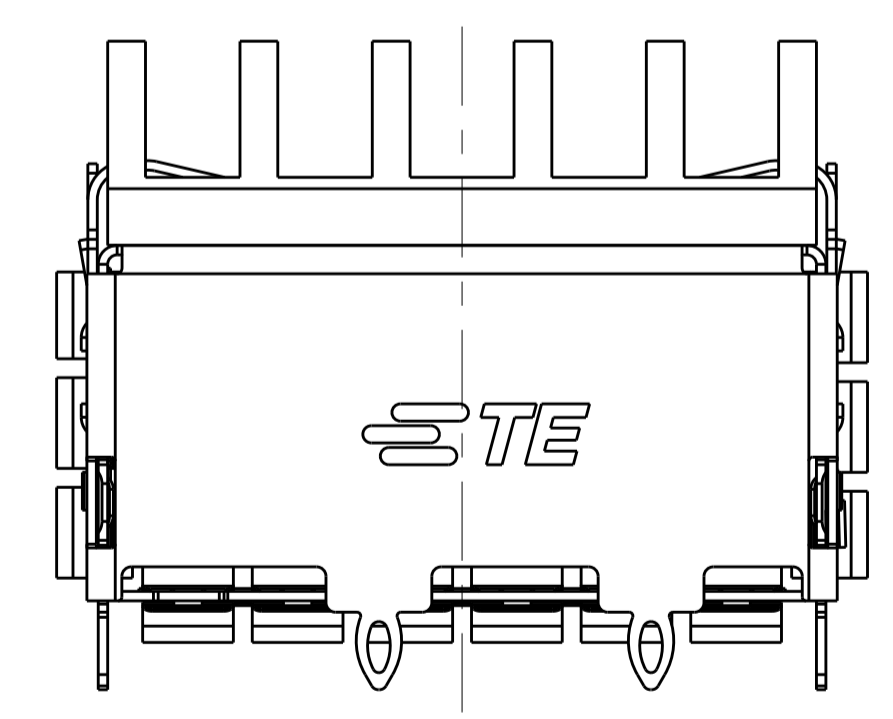


SAN HEAT SINK
SCALE 3:1

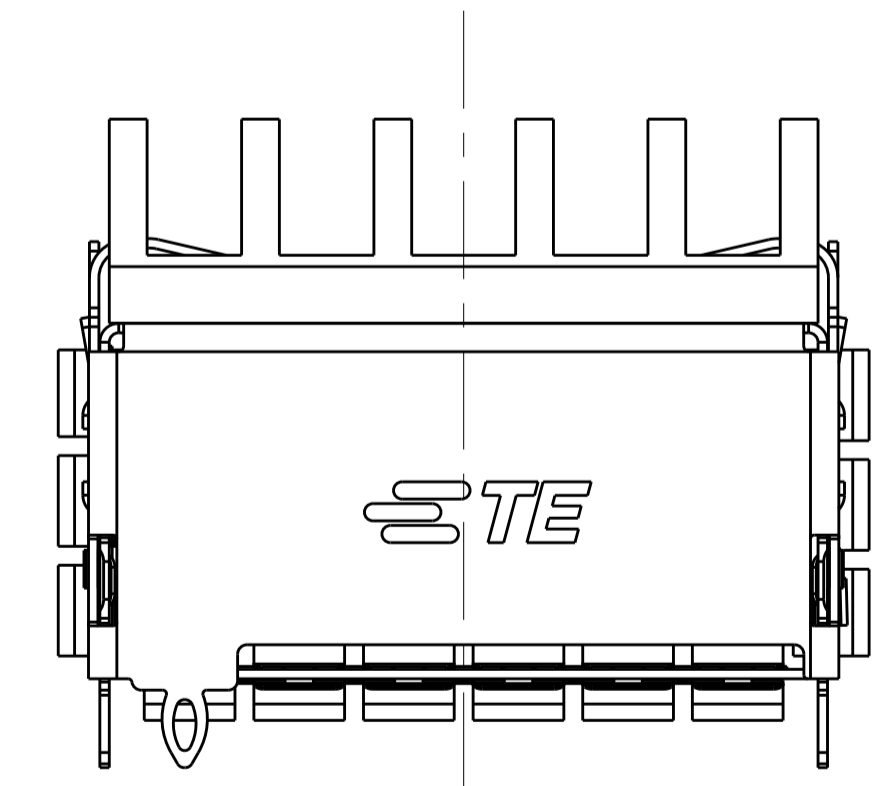


NETWORKING HEAT SINK
SCALE 3:1

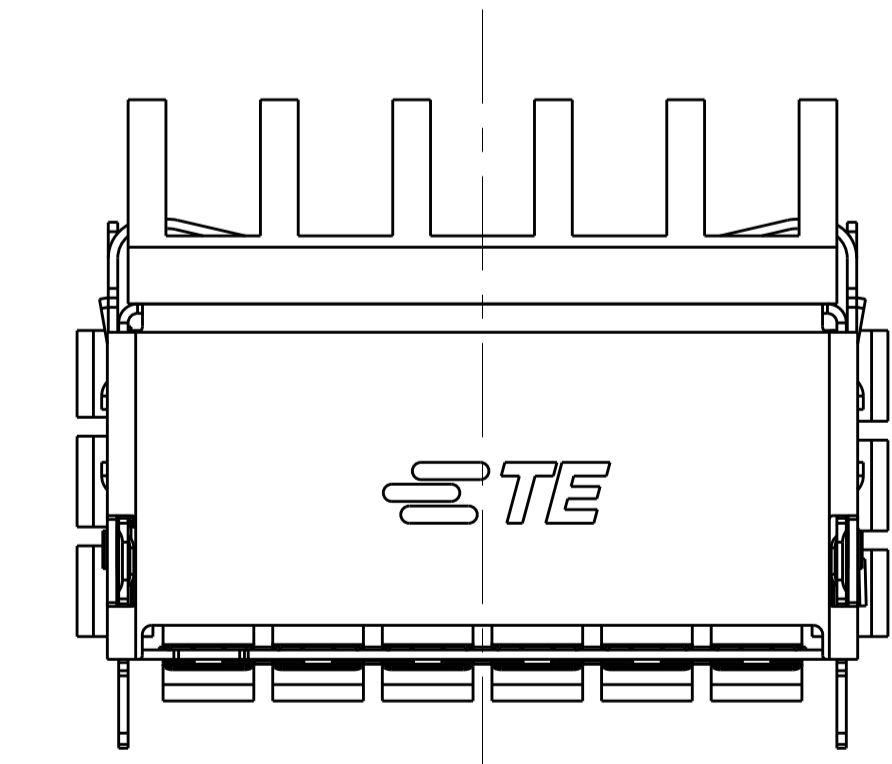
OF REAR LEGS OPTIONS



2 REAR LEGS
SCALE 5:1



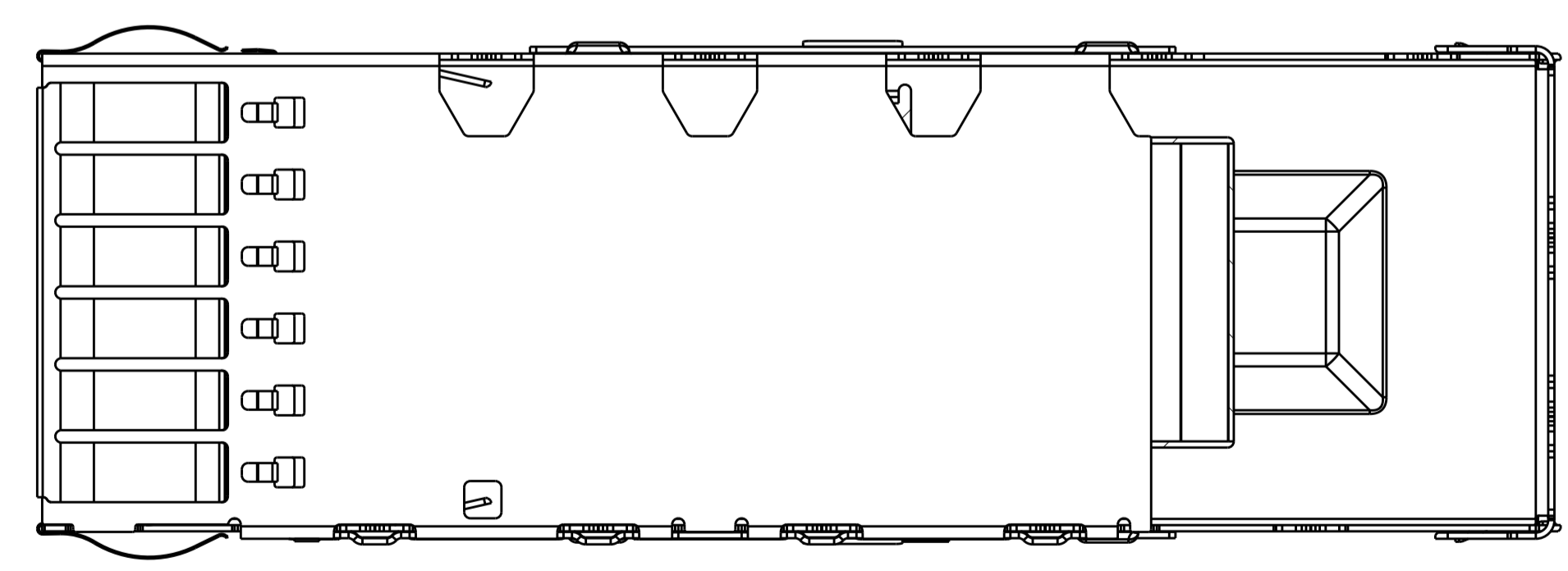
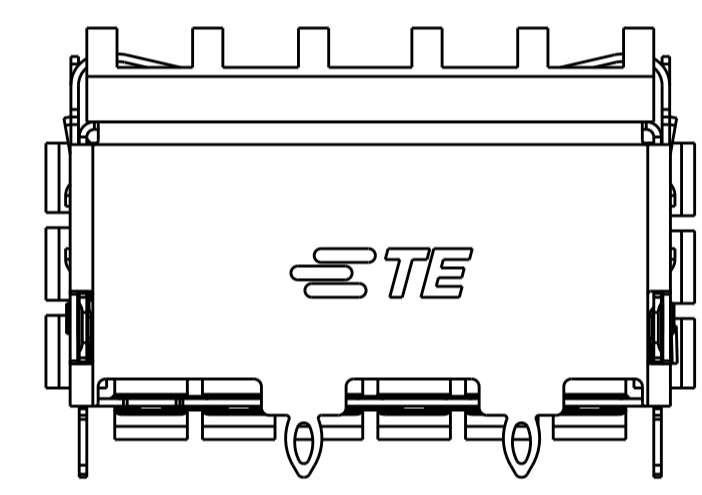
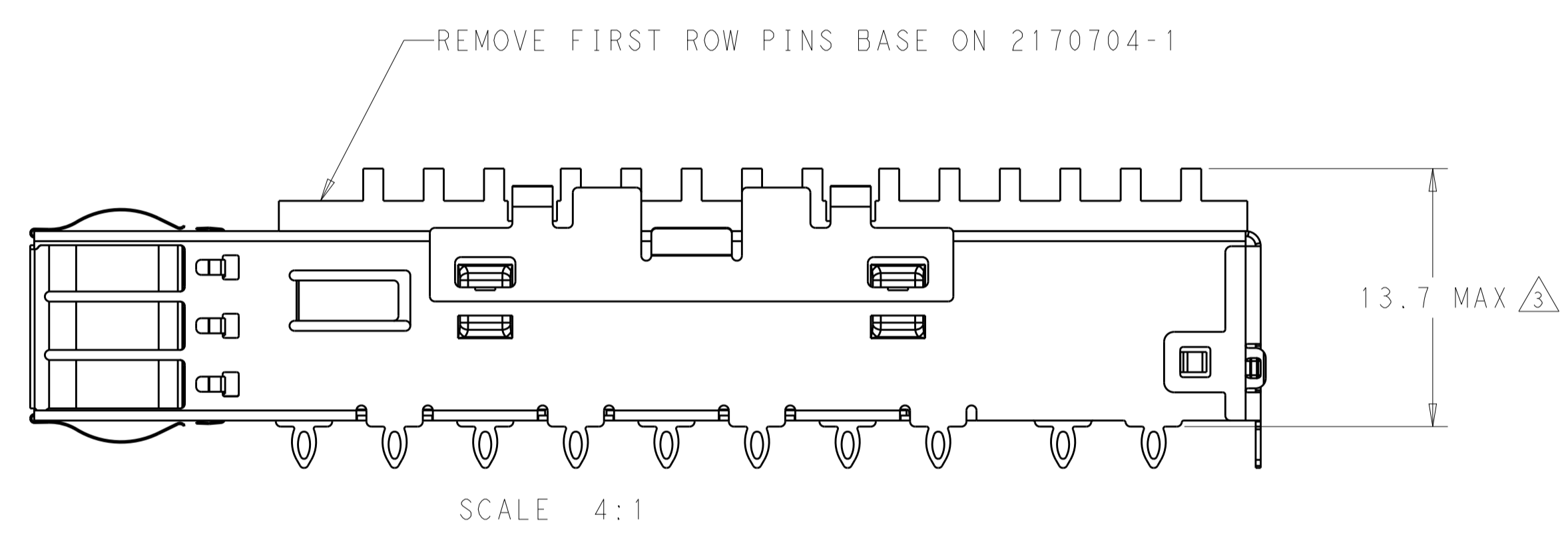
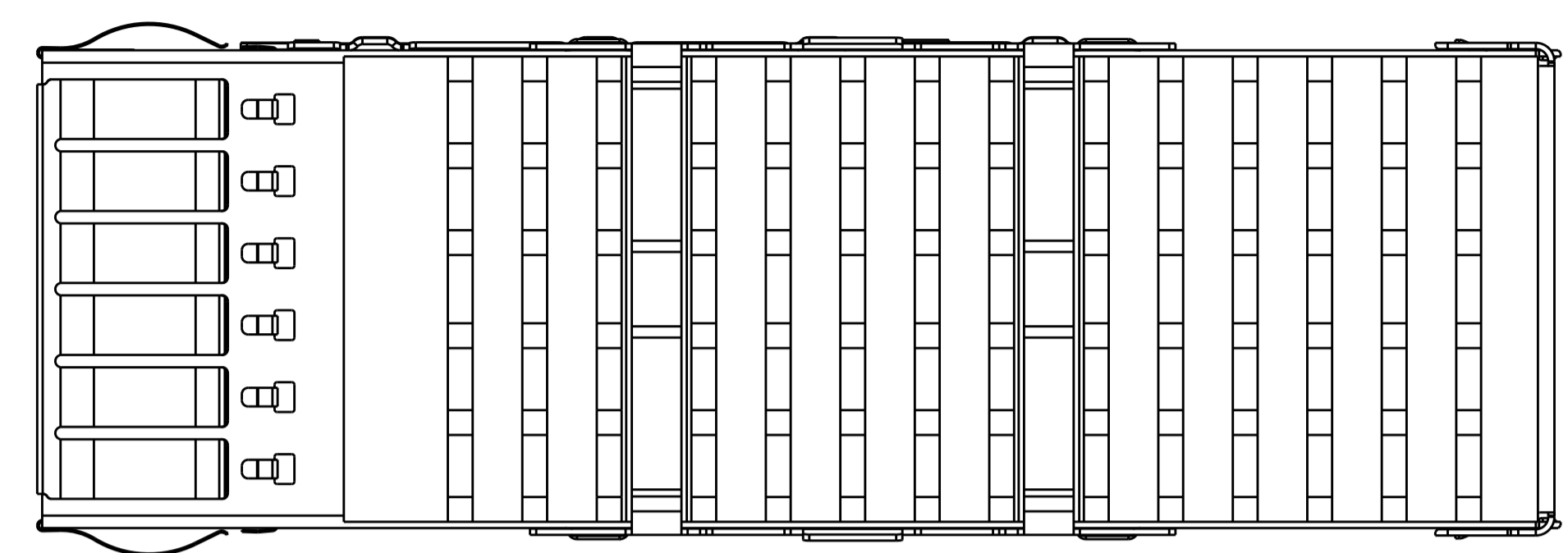
1 REAR LEG
SCALE 5:1



0 REAR LEG
SCALE 5:1

THIS DRAWING IS A CONTROLLED DOCUMENT.		OWN: JASON YANG 23SEP2013	TE Connectivity
		CHK: SEAN HAN 23SEP2013	
DIMENSIONS:		NAME: CAGE ASSEMBLY, OSFP28, THRU BEZEL WITH EMI SPRING FINGER HEAT SINK	
mm	0 PLC ±0.25	PRODUCT SPEC: 108-19428	RESTRICTED TO:
	1 PLC ±0.25	APPLICATION SPEC: 114-32023	SIZE: A1
	2 PLC ±0.20	WEIGHT: -	CAGE CODE: 100779
	3 PLC ±0.100	CUSTOMER DRAWING	DRAWING NO: C=2170704
	4 PLC ±"	SCALE: 2:1	SHEET 2 OF 7
MATERIAL: -	FINISH: -	REV: B2	

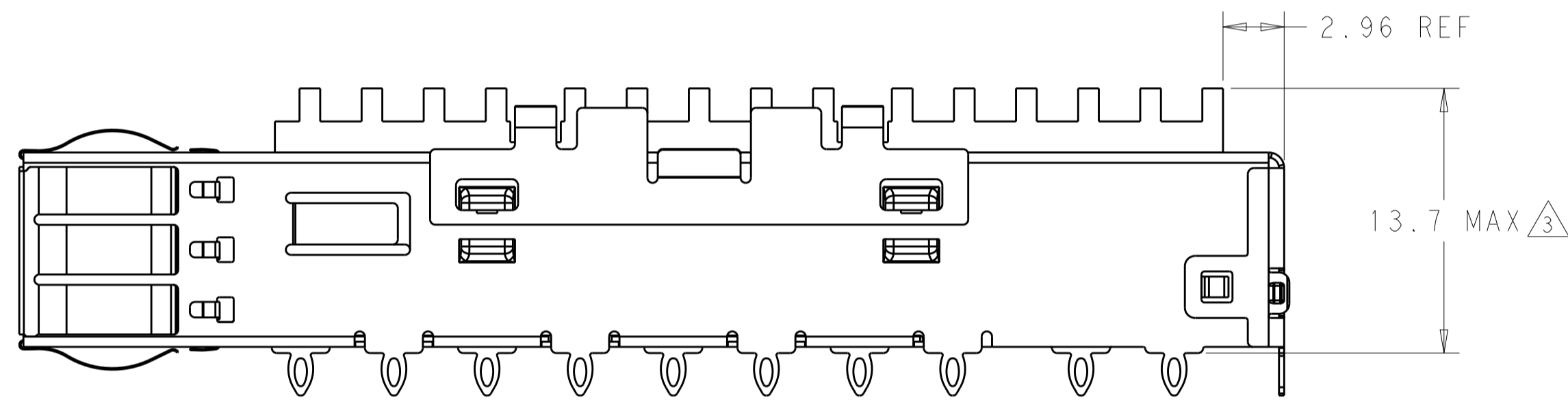
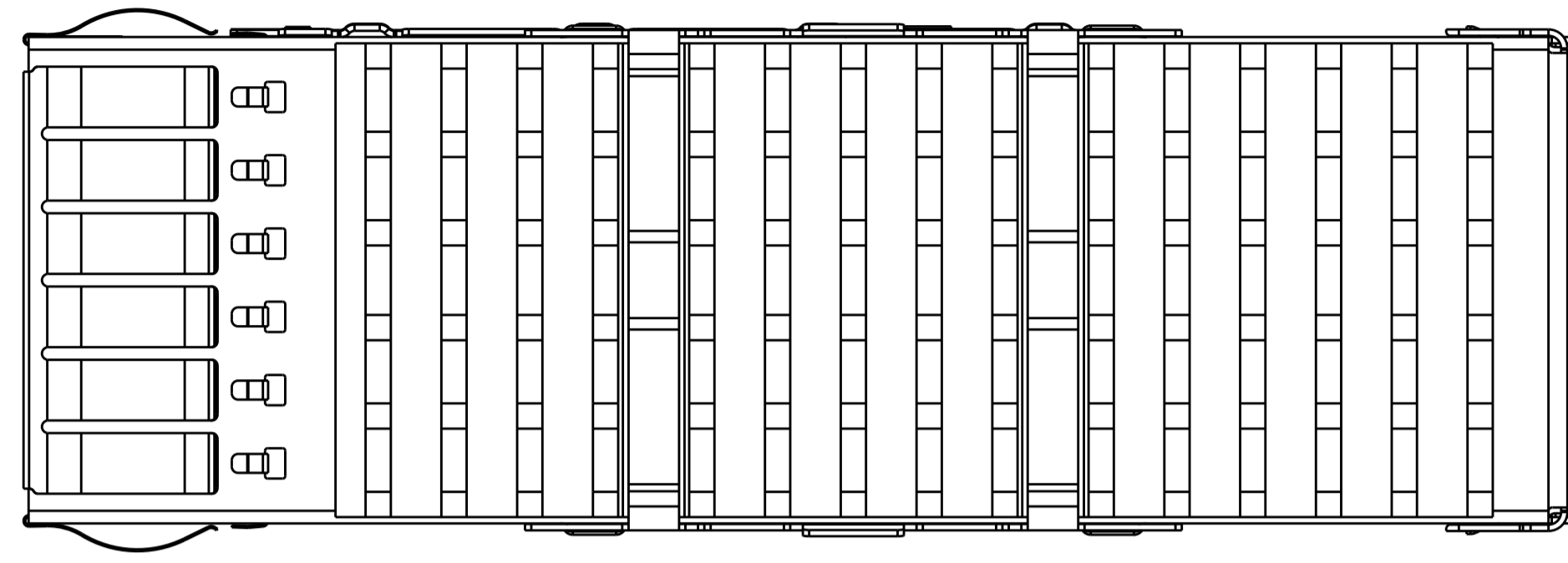
LOC		DIST		REVISIONS			
P	LTN	DESCRIPTION	DATE	DWN	APVD		
-	-	SEE SHEET 1	-	-	-		



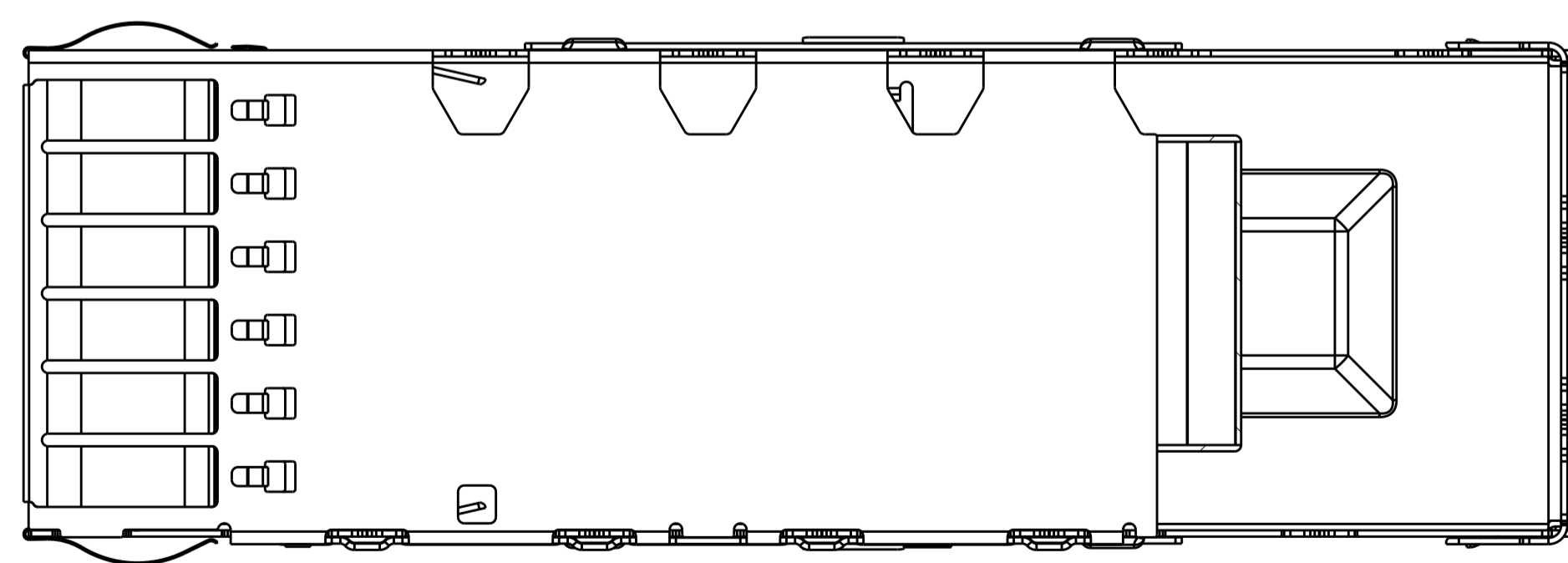
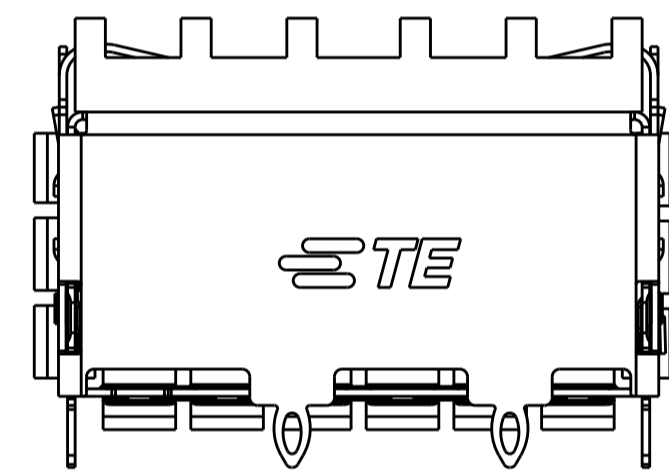
1-2170704-2 ARE AS SHOWN

THIS DRAWING IS A CONTROLLED DOCUMENT.		DWN: JASON YANG 23SEP2013	TE Connectivity
		CHK: SEAN HAN 23SEP2013	
DIMENSIONS:		NAME: CAGE ASSEMBLY, QSFP28, THRU BEZEL WITH EMI SPRING FINGER HEAT SINK	
mm	0 PLC ±0.25	PRODUCT SPEC: 108-19428	RESTRICTED TO:
	1 PLC ±0.25	APPLICATION SPEC: 114-32023	SIZE: A1
	2 PLC ±0.20	WEIGHT: -	CAGE CODE: 100779
	3 PLC ±0.100	CUSTOMER DRAWING	DRAWING NO: C=2170704
	4 PLC ±"	SCALE: 2:1	SHEET 3 OF 7
MATERIAL: -	FINISH: -	REV: B2	

LOC		DIST		REVISIONS			
P.	LTN	DESCRIPTION	DATE	DWN	APVD		
-	-	SEE SHEET 1	-	-	-		



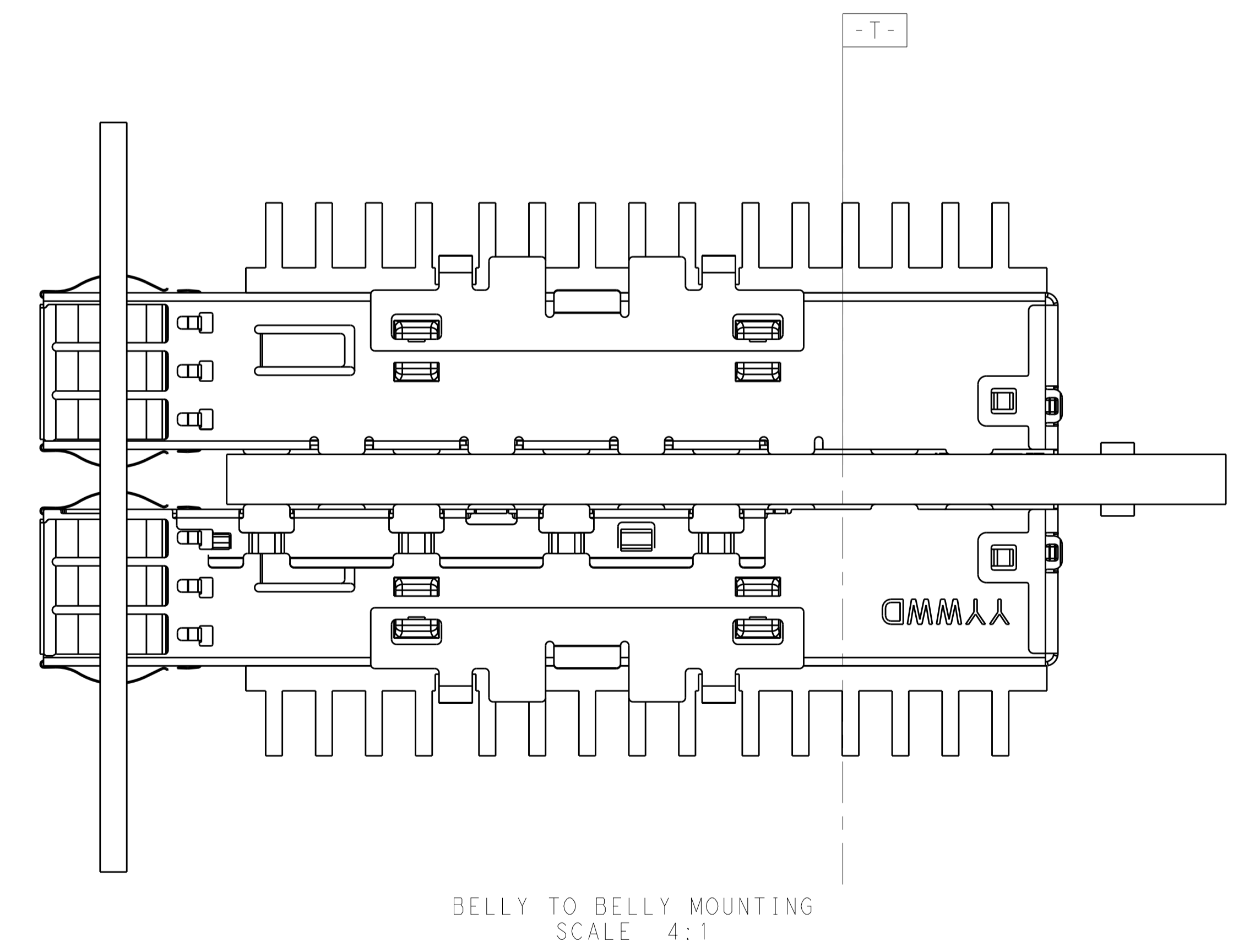
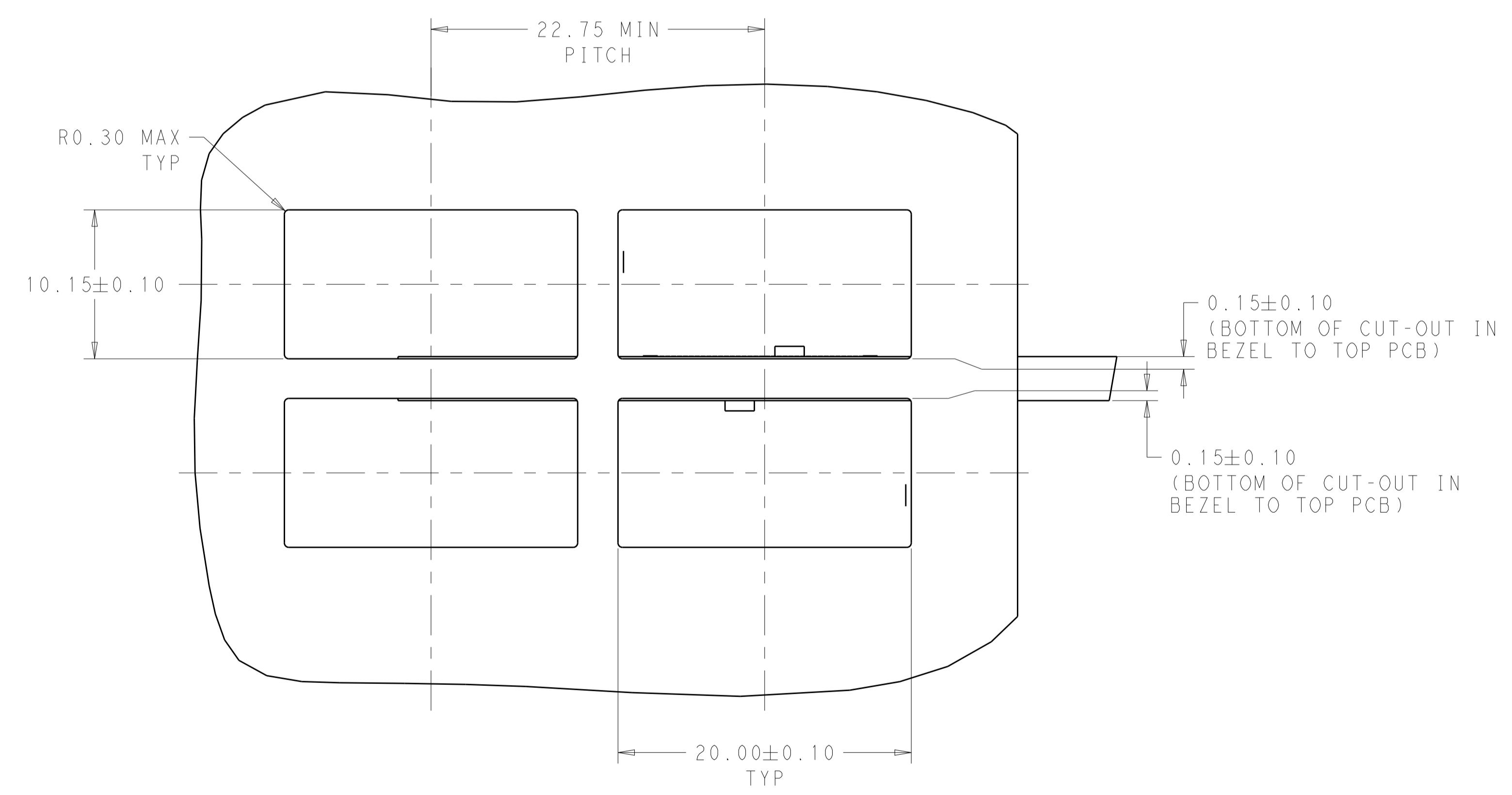
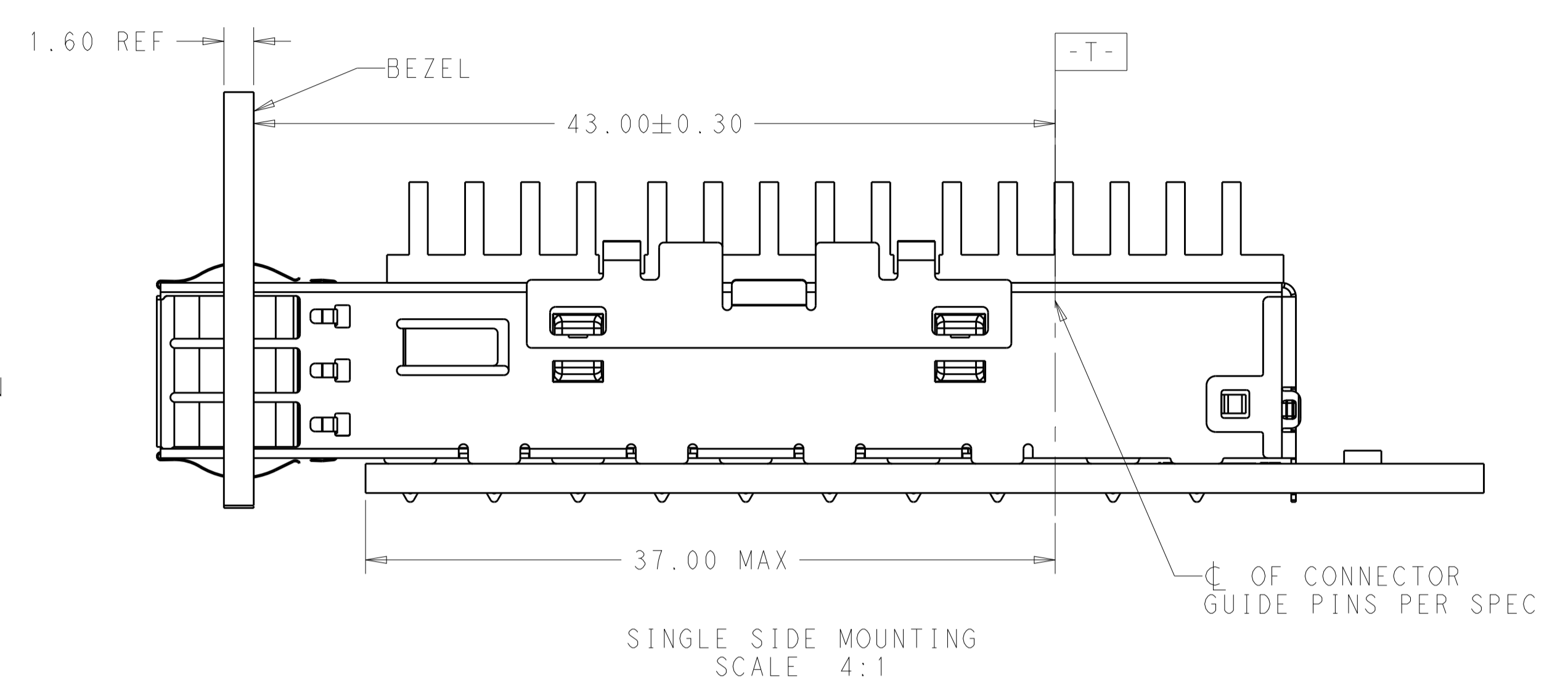
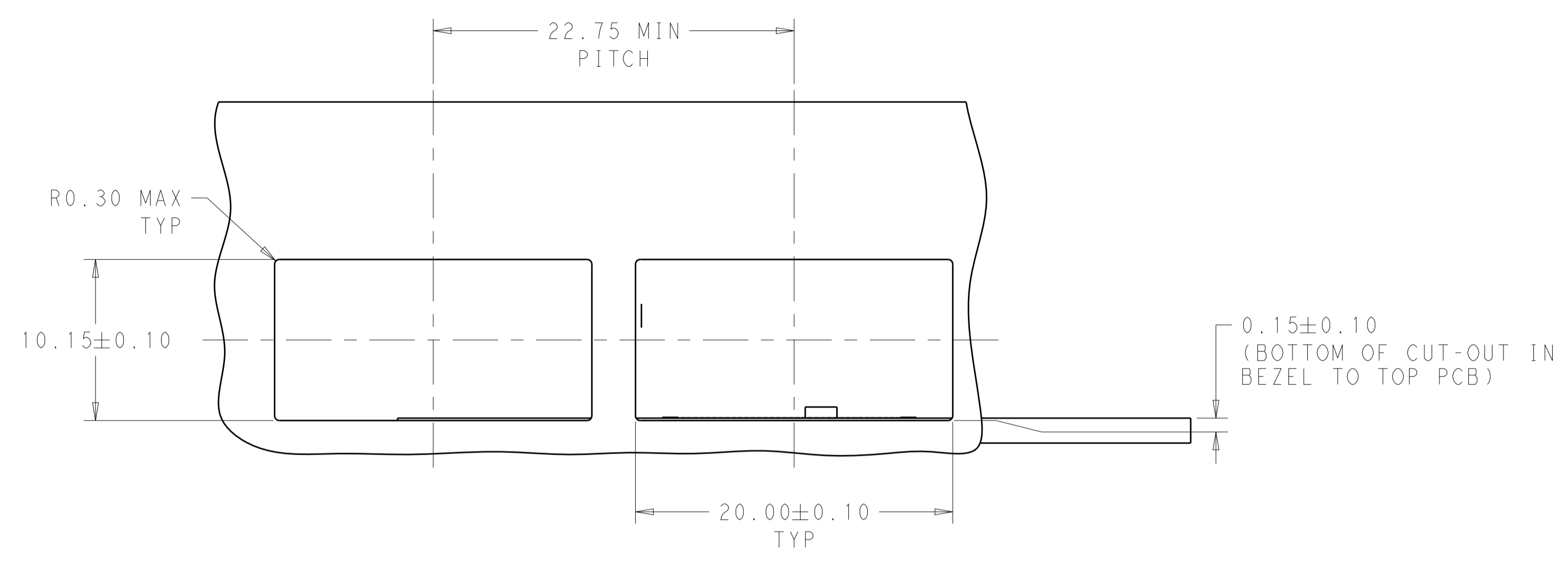
SCALE 4:1



1-2170704-3 ARE AS SHOWN

THIS DRAWING IS A CONTROLLED DOCUMENT.		DWN: JASON YANG 23SEP2013	TE Connectivity
		CHK: SEAN HAN 23SEP2013	
DIMENSIONS:		APVD:	
mm	0 PLC ±0.25 1 PLC ±0.25 2 PLC ±0.25 3 PLC ±0.100 4 PLC ± ANGLES ±°	PRODUCT SPEC: 108-19428	NAME: CAGE ASSEMBLY, OSFP28, THRU BEZEL WITH EMI SPRING FINGER HEAT SINK
MATERIAL:		APPLICATION SPEC: 114-32023	SIZE: A100779
		FINISH:	WEIGHT: -
		CUSTOMER DRAWING	SCALE: 2:1 SHEET 4 OF 7 REV: B2

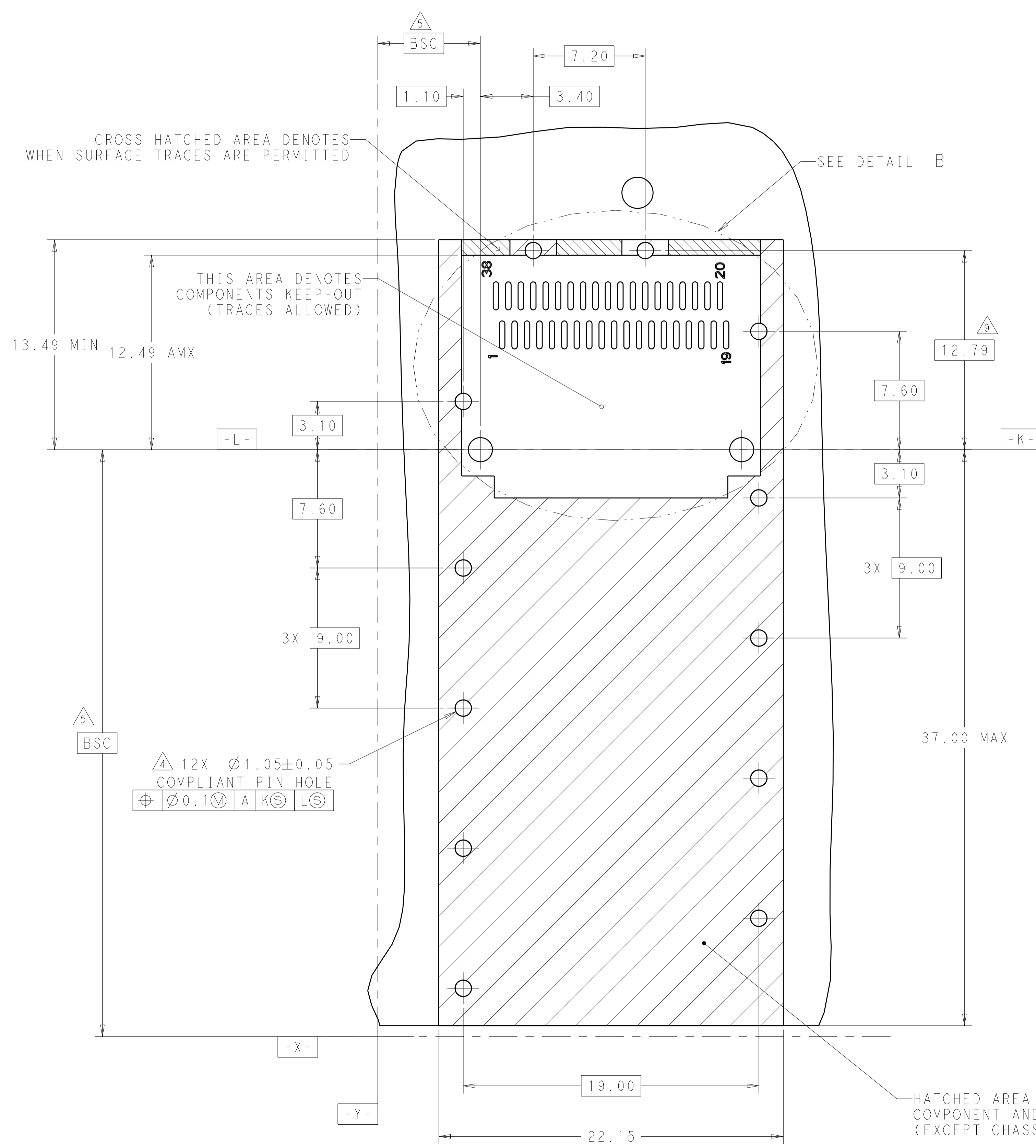
LOC	DIST	REV	DATE	BY	APPV
		1			
		2			



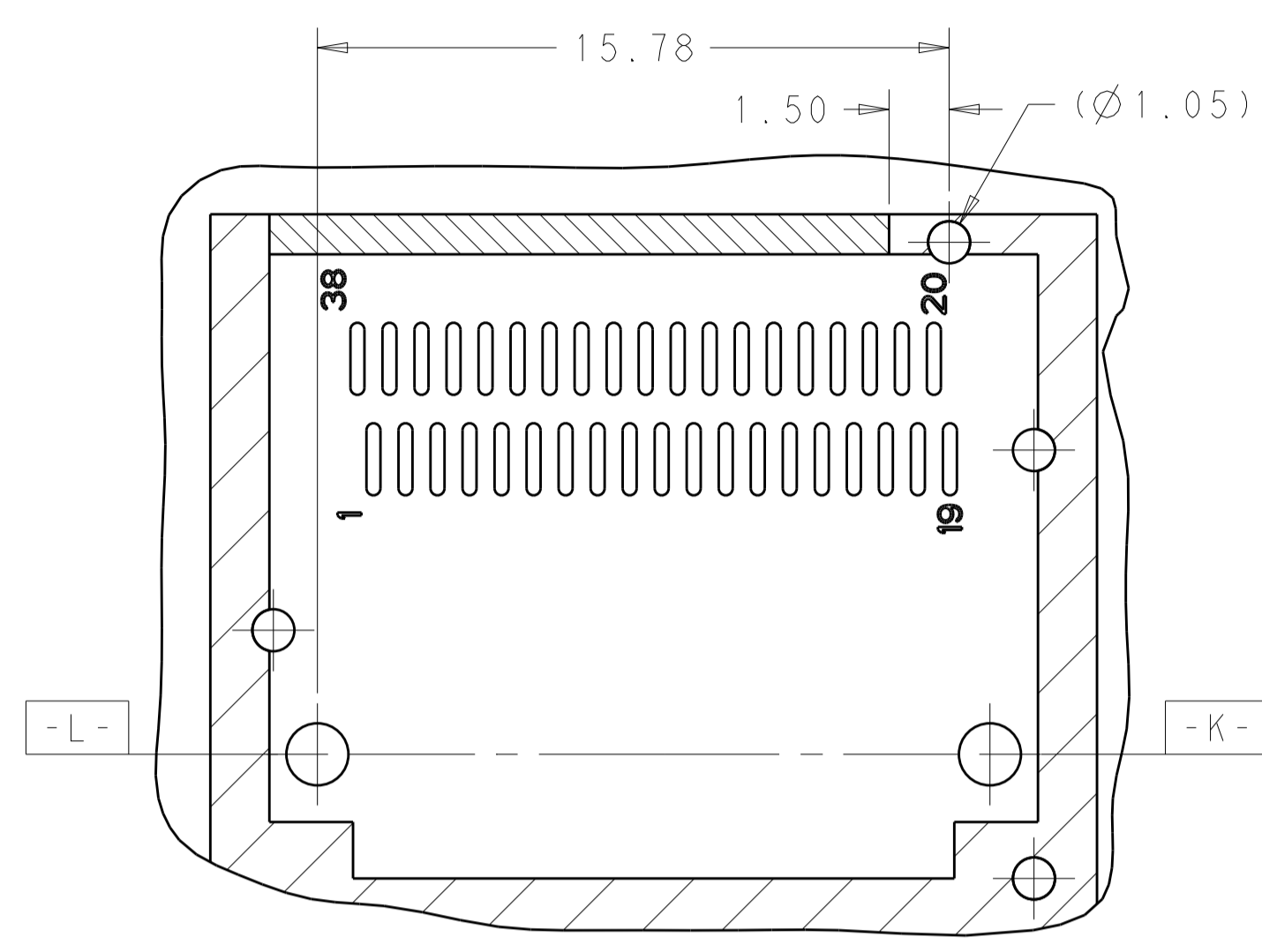
THIS DRAWING IS A CONTROLLED DOCUMENT.		DWN: JASON YANG 23SEP2013	TE Connectivity
		CHK: SEAN HAN 23SEP2013	
DIMENSIONS:	TOLERANCES UNLESS OTHERWISE SPECIFIED:	APVD:	NAME:
mm	0 PLC ±0.25	PRODUCT SPEC	CAGE ASSEMBLY, OSFP28, THRU BEZEL
	1 PLC ±0.25	108-19428	WITH EMI SPRING FINGER
	2 PLC ±0.20	APPLICATION SPEC	HEAT SINK
	3 PLC ±0.100	114-32023	SIZE: CAGE CODE: DRAWING NO:
	4 PLC ±"	WEIGHT:	A100779C=2170704
	ANGLES	CUSTOMER DRAWING	RESTRICTED TO:
MATERIAL:	FINISH:	SCALE: 2:1	SHEET 5 OF 7
			REV: B2

LOC	DIST	REV	DATE	BY	APPV
		1			

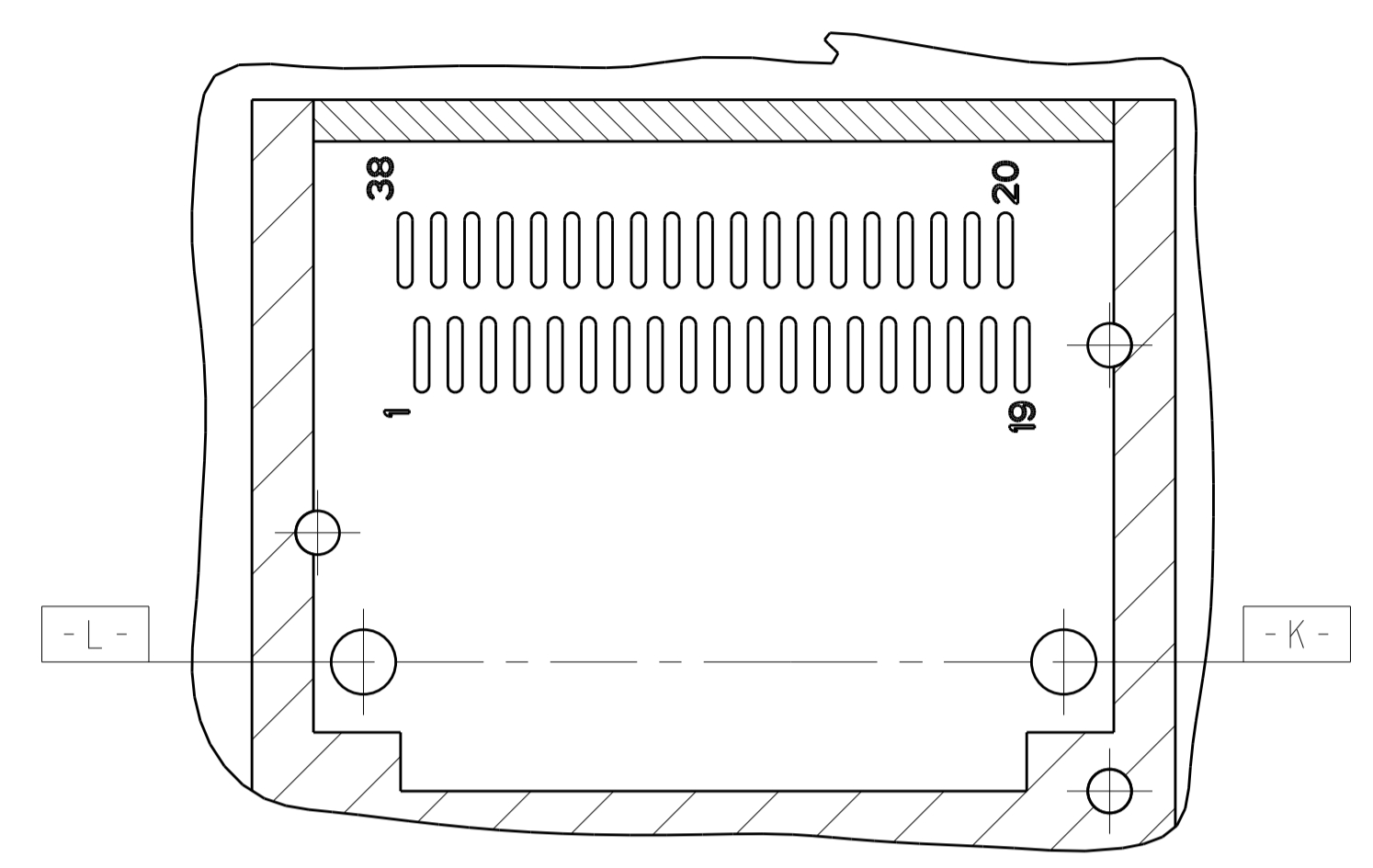
REV	DESCRIPTION	DATE	BY	APPV
1	SEE SHEET 1			



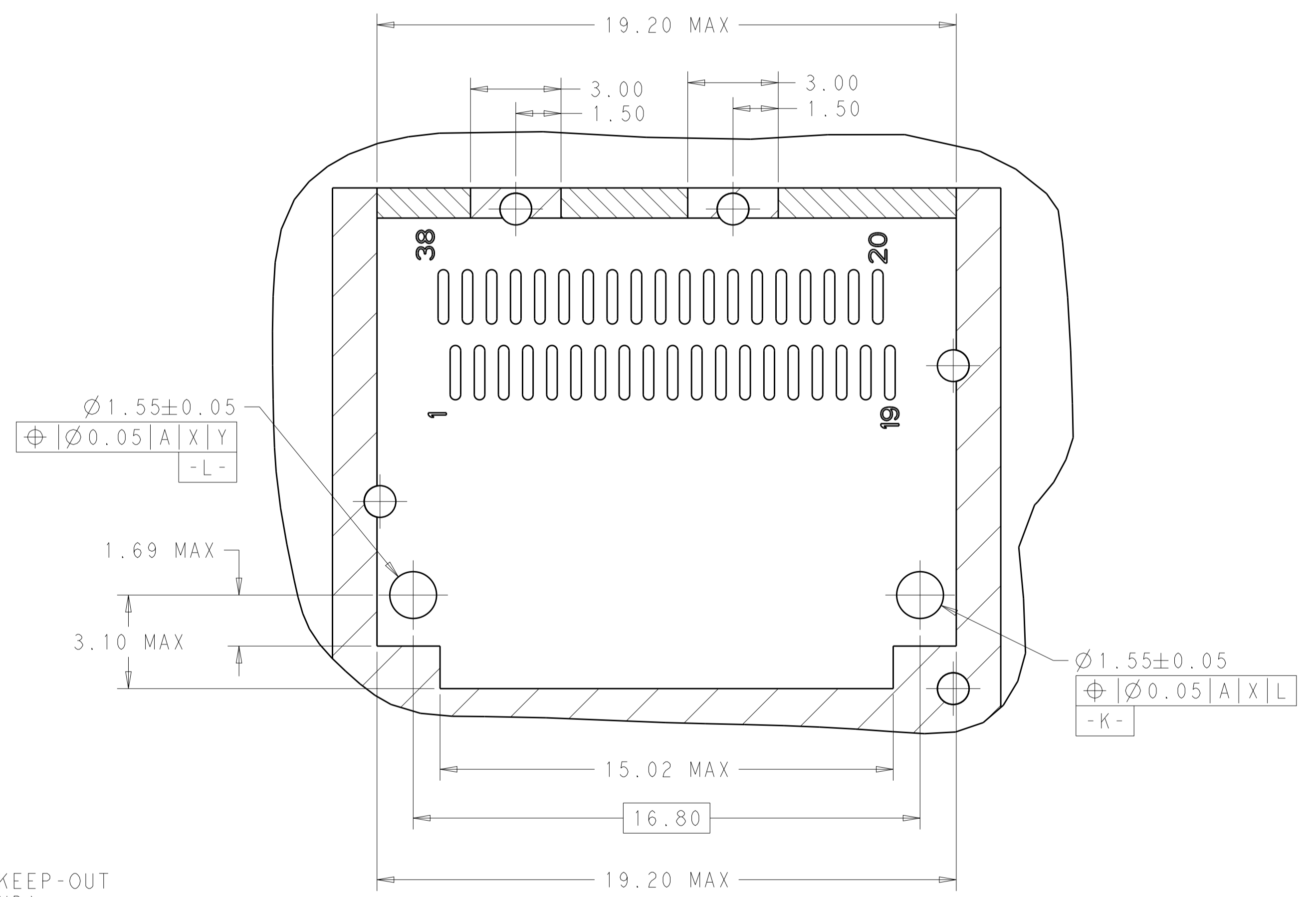
RECOMMENDED PCB LAYOUT
 SINGLE TYPE OF 2 REAR HOLES OF LEGS
 PCB TOLERANCE: ±0.05
 SCALE 6:1



RECOMMENDED PCB LAYOUT
 SINGLE TYPE OF 1 REAR HOLES OF LEGS
 PCB TOLERANCE: ±0.05
 SCALE 6:1



RECOMMENDED PCB LAYOUT
 SINGLE TYPE OF 0 REAR HOLES OF LEGS
 PCB TOLERANCE: ±0.05
 SCALE 6:1

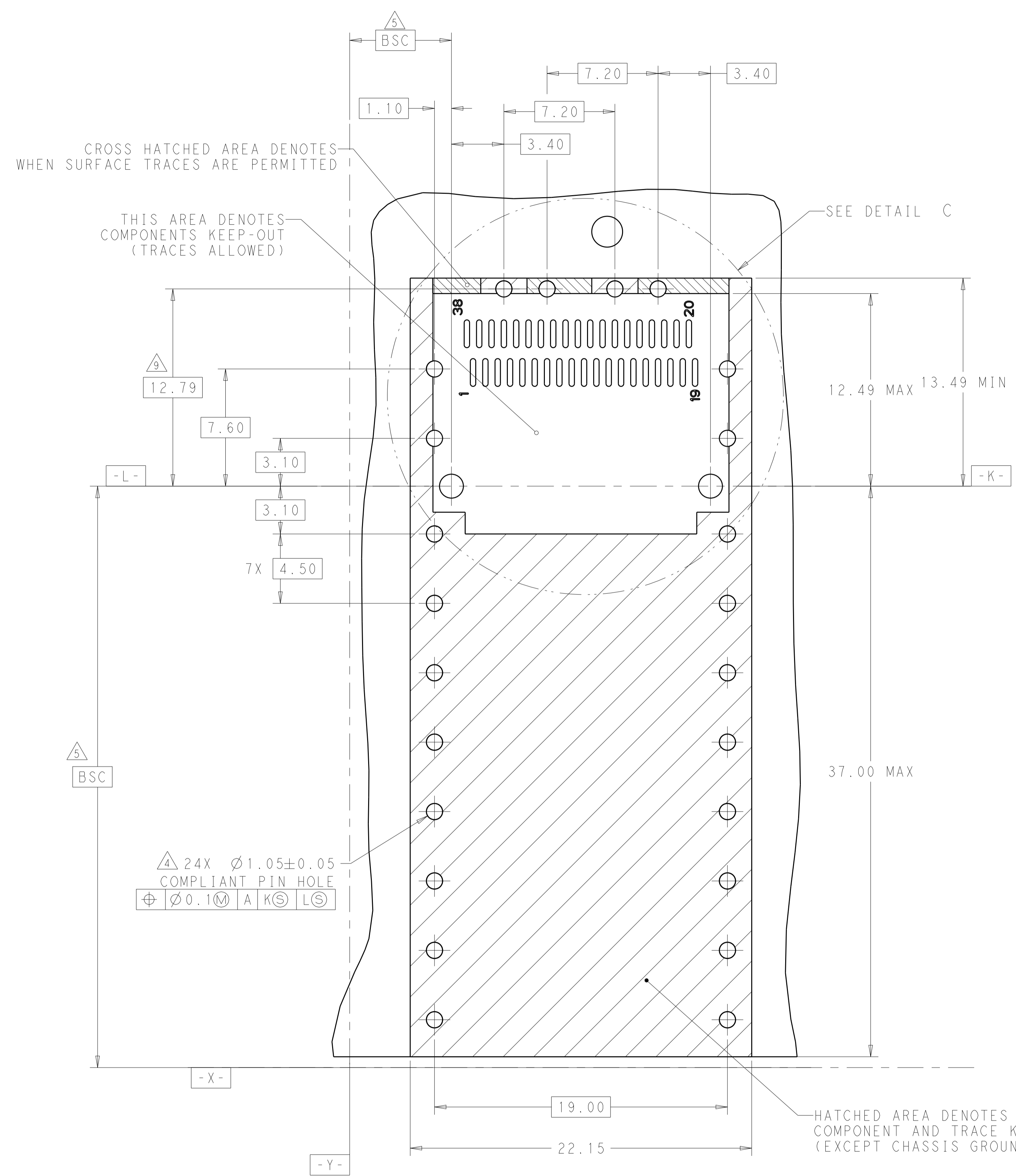


DETAIL B
 SCALE 8:1

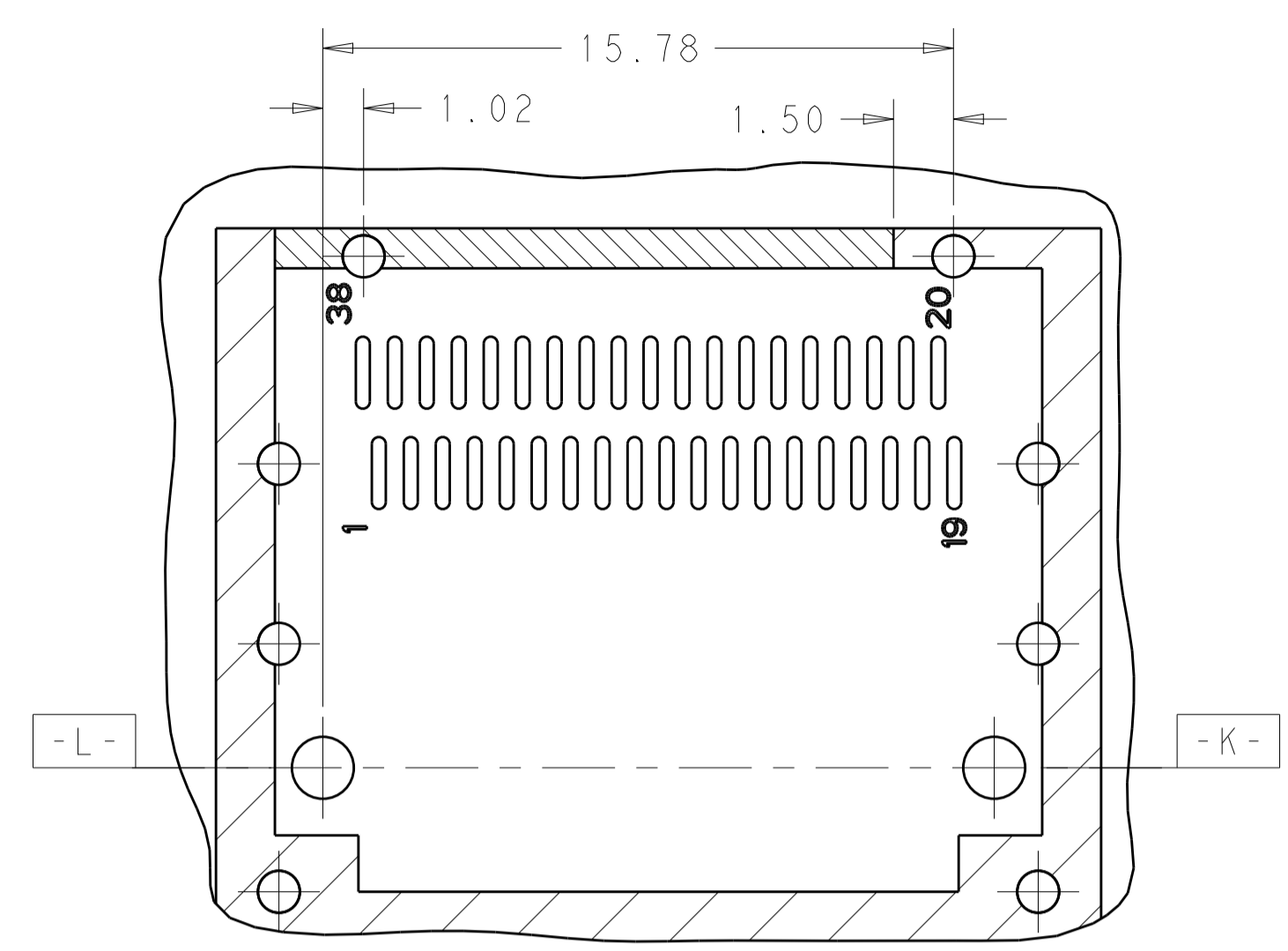
HATCHED AREA DENOTES
 COMPONENT AND TRACE KEEP-OUT
 (EXCEPT CHASSIS GROUND)

THIS DRAWING IS A CONTROLLED DOCUMENT.		DWN: JASON YANG 23SEP2013	TE Connectivity
DIMENSIONS: mm		CHK: SEAN HAN 23SEP2013	
TOLERANCES UNLESS OTHERWISE SPECIFIED:		APVD:	NAME: CAGE ASSEMBLY, QSFP28, THRU BEZEL WITH EMI SPRING FINGER HEAT SINK
0 PLC	±0.25	PRODUCT SPEC	108-19428
1 PLC	±0.25	APPLICATION SPEC	114-32023
2 PLC	±0.20	SIZE	A100779C=2170704
3 PLC	±0.100	RESTRICTED TO	
4 PLC	±0.100	WEIGHT	
ANGLES	±0.100	CUSTOMER DRAWING	SCALE 2:1 SHEET 6 OF 7 REV B2
MATERIAL			

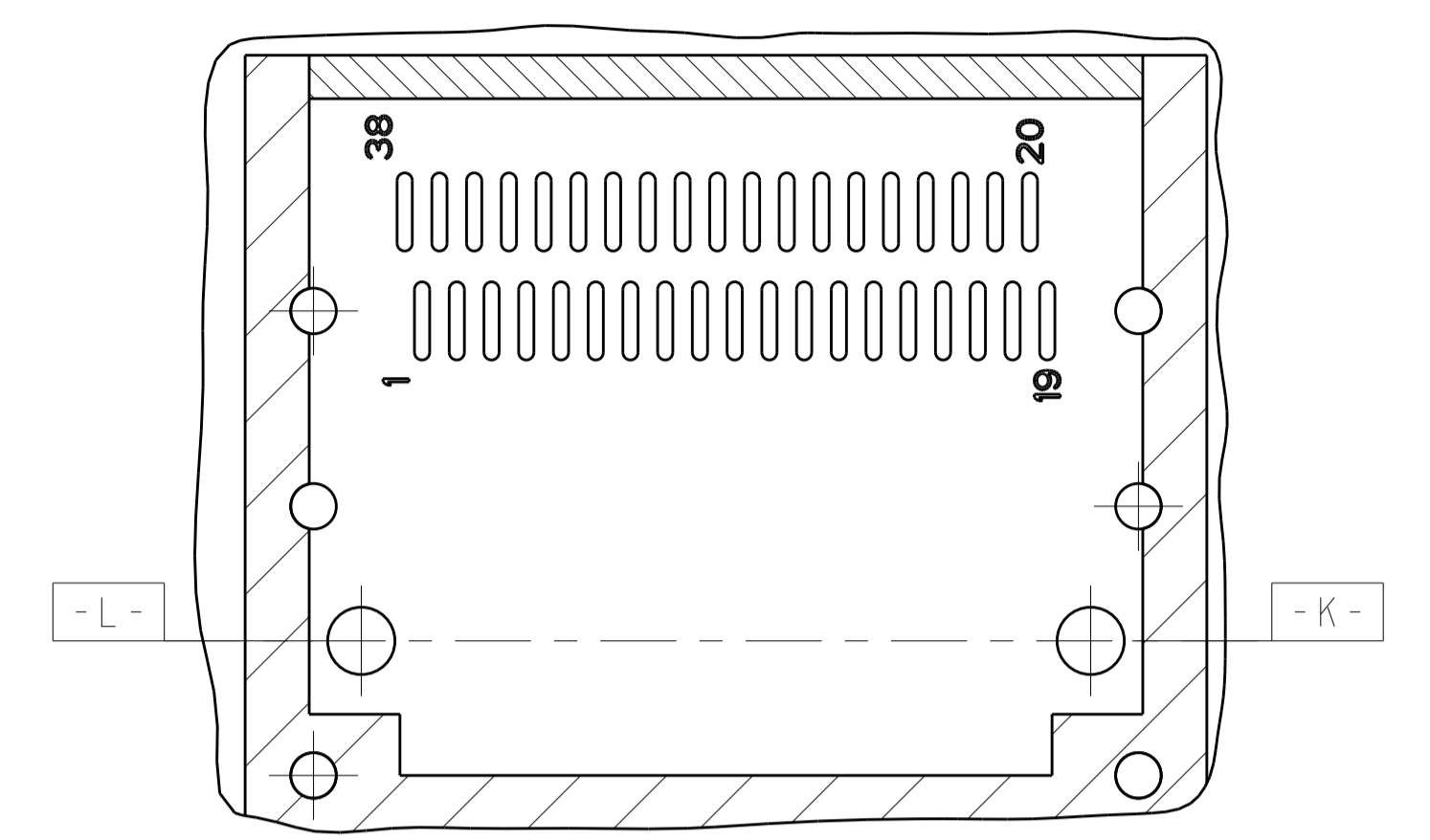
LOC	DIST	REV	DESCRIPTION	DATE	OWN	APVD
			SEE SHEET 1			



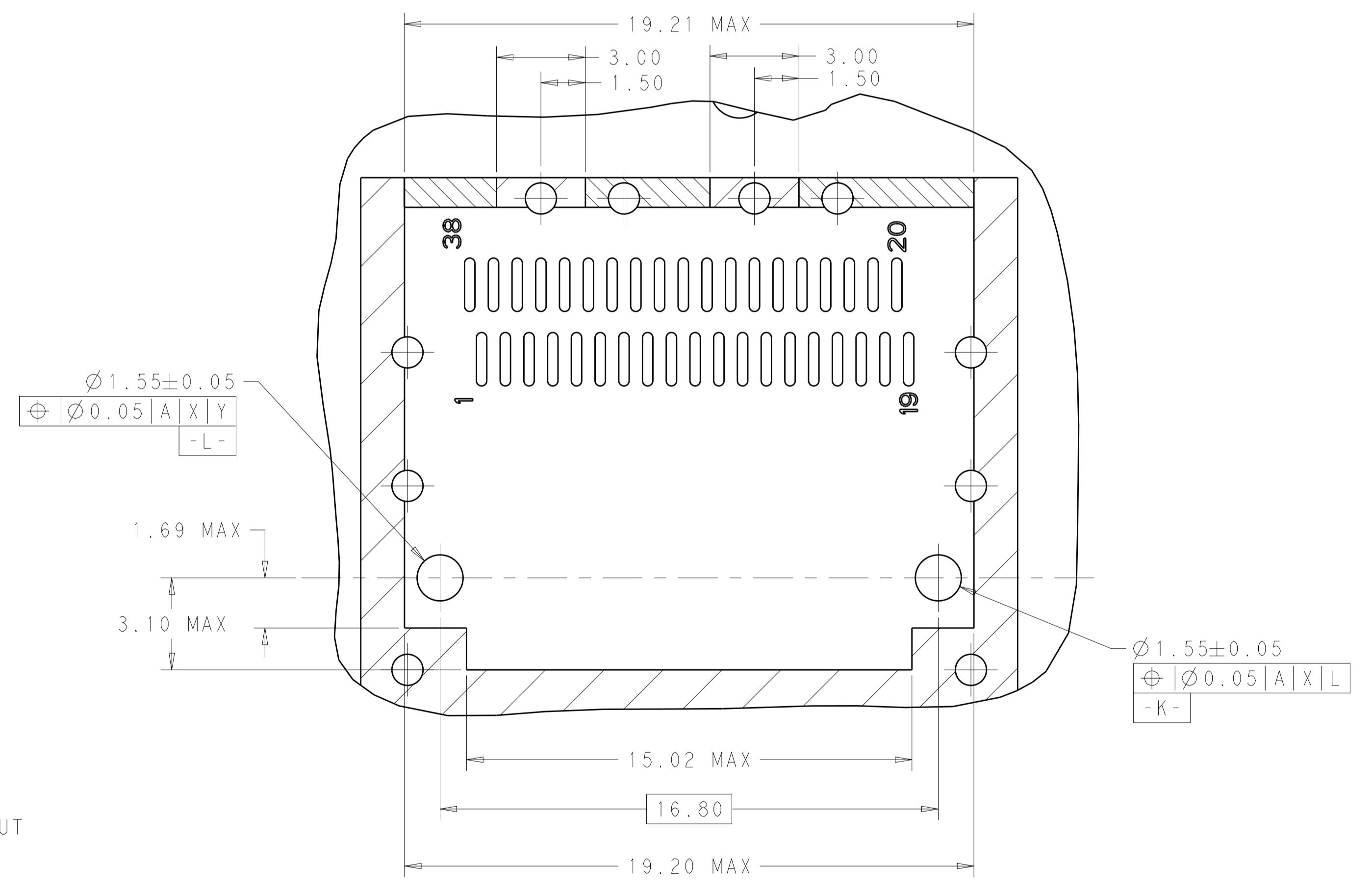
RECOMMENDED PCB LAYOUT
BELLY TO BELLY TYPE OF 2 REAR HOLES OF LEGS
PCB TOLERANCE: ±0.05
SCALE 6:1



RECOMMENDED PCB LAYOUT
BELLY TO BELLY TYPE OF 1 REAR HOLES OF LEGS
PCB TOLERANCE: ±0.05
SCALE 6:1



RECOMMENDED PCB LAYOUT
BELLY TO BELLY TYPE OF 0 REAR HOLES OF LEGS
PCB TOLERANCE: ±0.05
SCALE 6:1



DETAIL C
SCALE 8:1

THIS DRAWING IS A CONTROLLED DOCUMENT.		OWN: JASON YANG 23SEP2013	TE Connectivity
DIMENSIONS: mm		CHK: SEAN HAN 23SEP2013	
TOLERANCES UNLESS OTHERWISE SPECIFIED:		APVD:	NAME: CAGE ASSEMBLY, QSFP28, THRU BEZEL WITH EMI SPRING FINGER HEAT SINK
0 PLC ±0.25	1 PLC ±0.25	PRODUCT SPEC: 108-19428	SIZE: A100779
2 PLC ±0.20	3 PLC ±0.100	APPLICATION SPEC: 114-32023	CAGE CODE: C=2170704
4 PLC ±	ANGLES ±	WEIGHT:	RESTRICTED TO:
MATERIAL:	FINISH:	CUSTOMER DRAWING:	SCALE: 2:1 SHEET 7 OF 7 REV: B2