



Chipsmall Limited consists of a professional team with an average of over 10 year of expertise in the distribution of electronic components. Based in Hongkong, we have already established firm and mutual-benefit business relationships with customers from,Europe,America and south Asia,supplying obsolete and hard-to-find components to meet their specific needs.

With the principle of "Quality Parts,Customers Priority,Honest Operation,and Considerate Service",our business mainly focus on the distribution of electronic components. Line cards we deal with include Microchip,ALPS,ROHM,Xilinx,Pulse,ON,Everlight and Freescale. Main products comprise IC,Modules,Potentiometer,IC Socket,Relay,Connector.Our parts cover such applications as commercial,industrial, and automotives areas.

We are looking forward to setting up business relationship with you and hope to provide you with the best service and solution. Let us make a better world for our industry!



Contact us

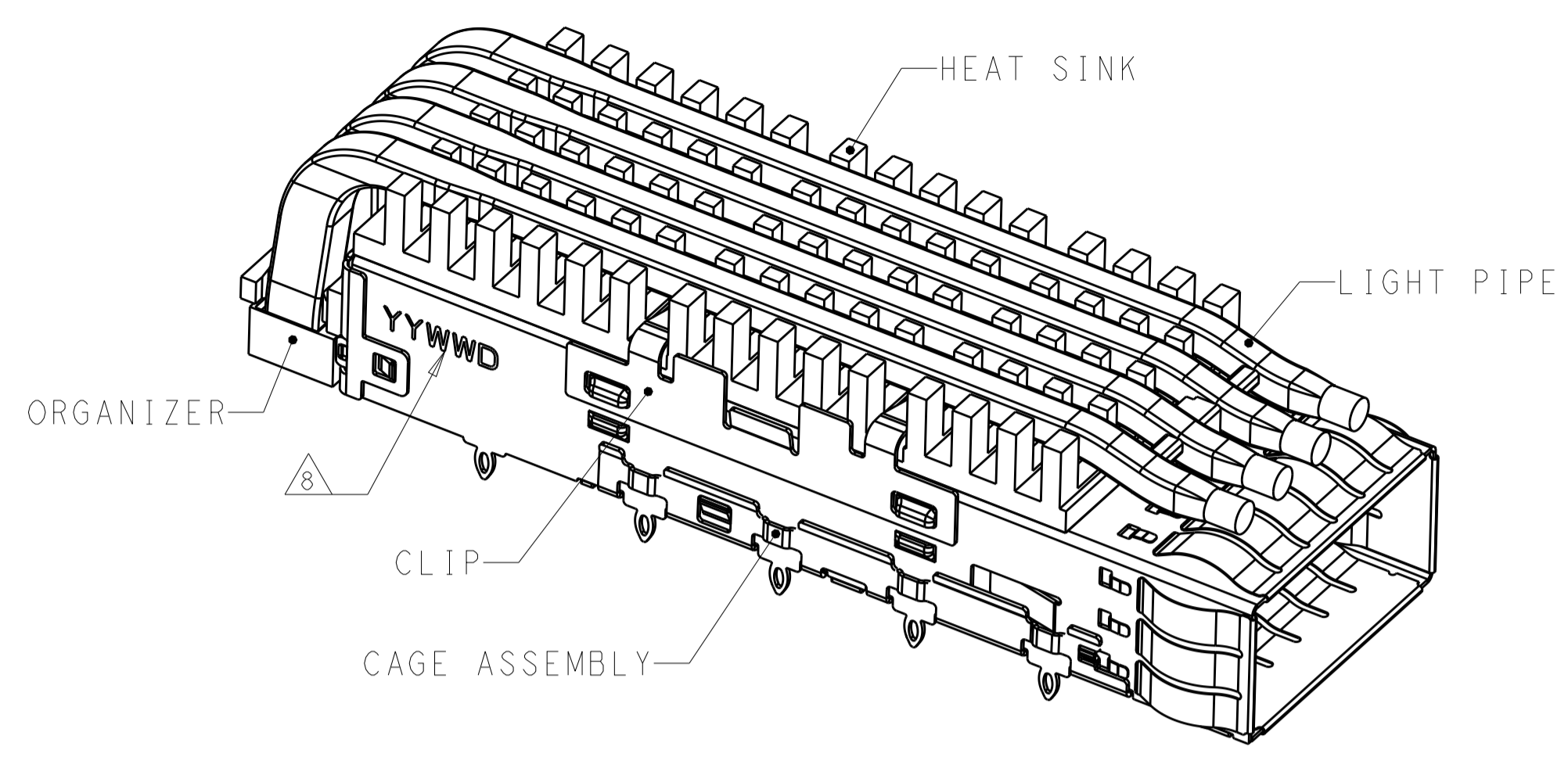
Tel: +86-755-8981 8866 Fax: +86-755-8427 6832

Email & Skype: info@chipsmall.com Web: www.chipsmall.com

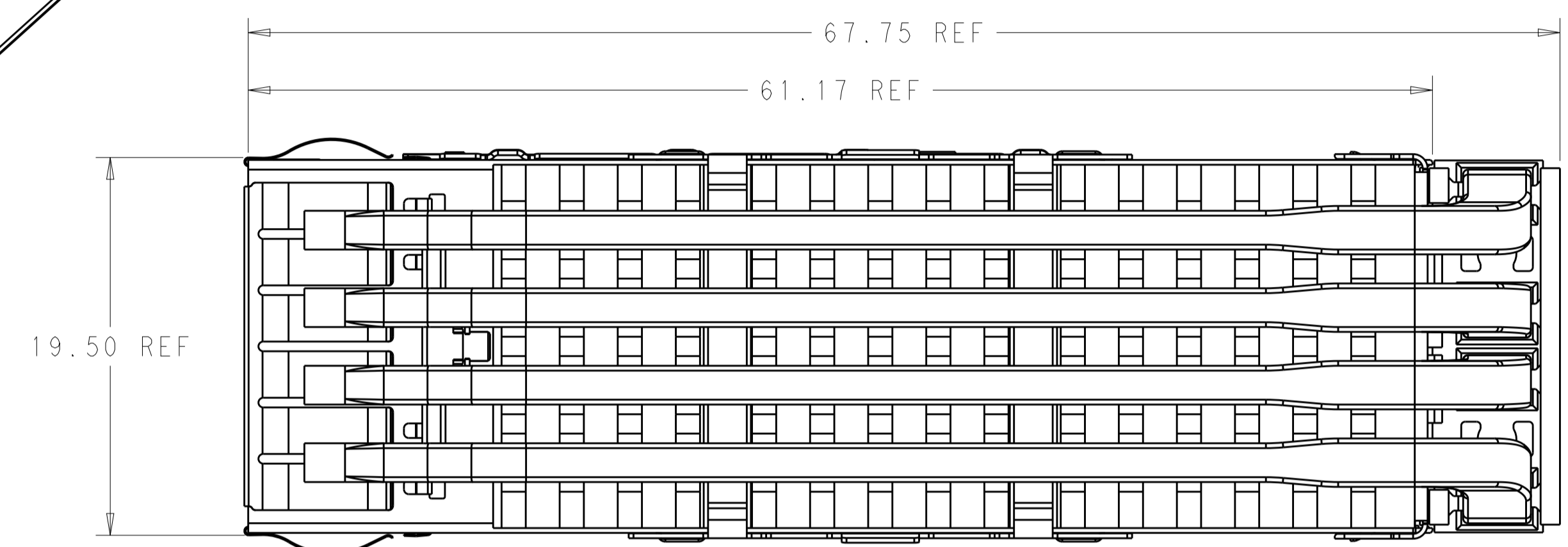
Address: A1208, Overseas Decoration Building, #122 Zhenhua RD., Futian, Shenzhen, China



LOC		DIST		REVISIONS			
P	LTN	DESCRIPTION	DATE	DWN	APVD		
A		RELEASE	01NOV2016	JY	SH		



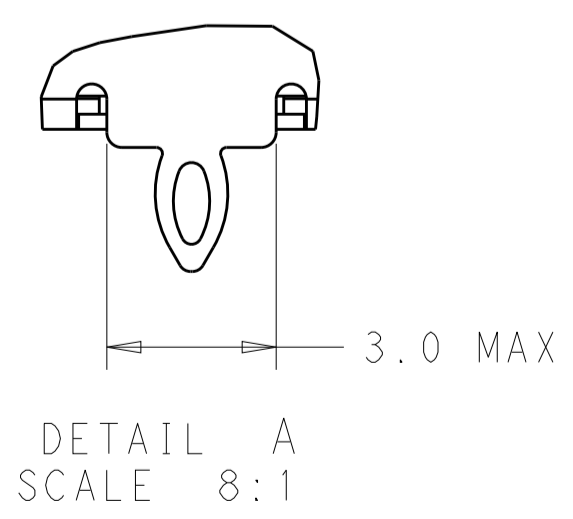
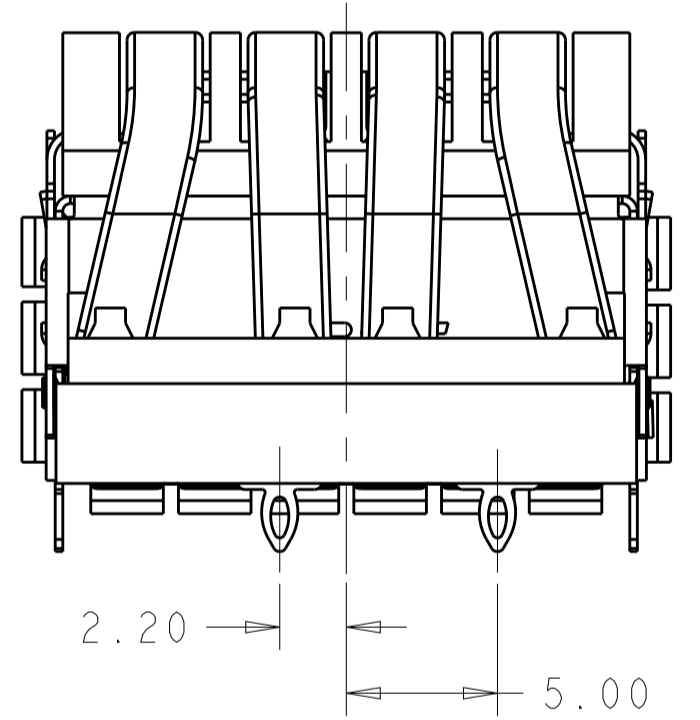
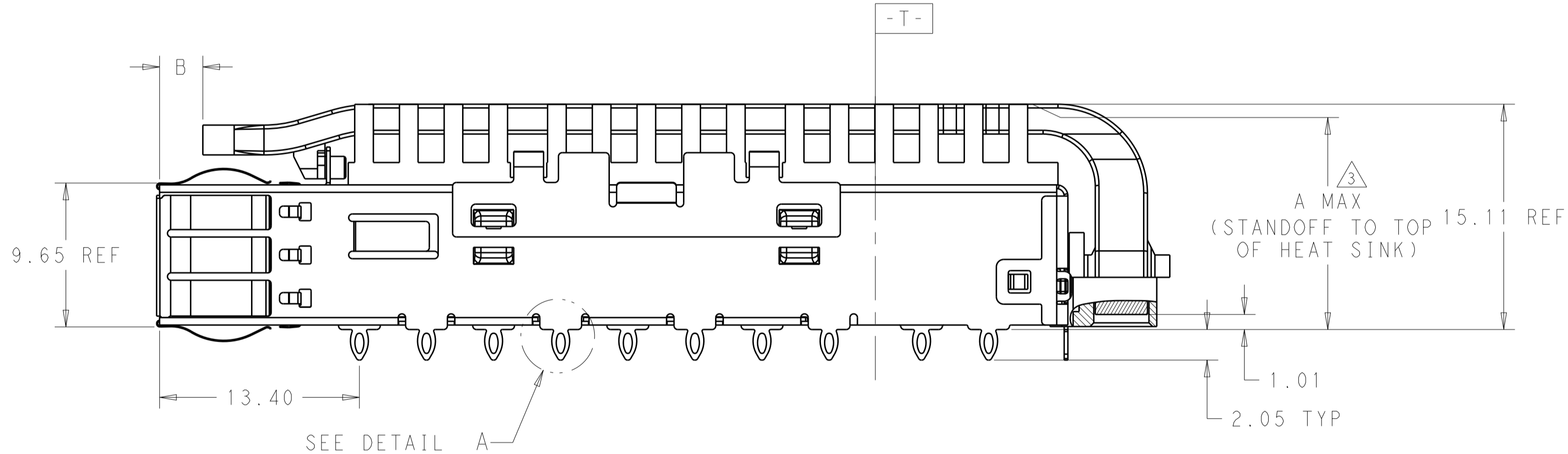
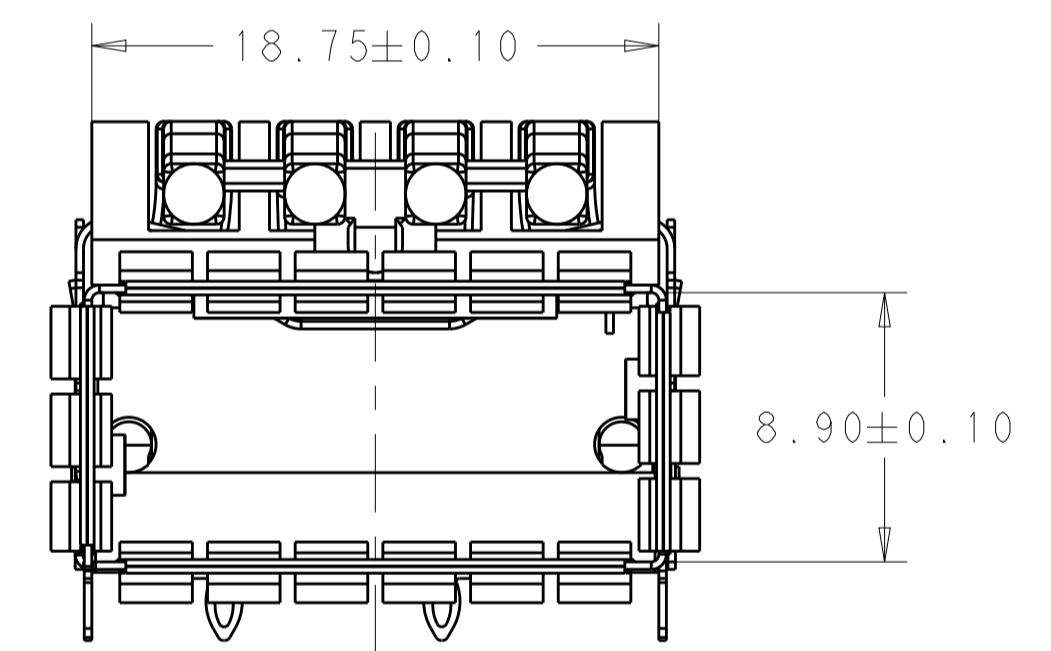
4-2170705-2 SHOWN
SCALE 3:1



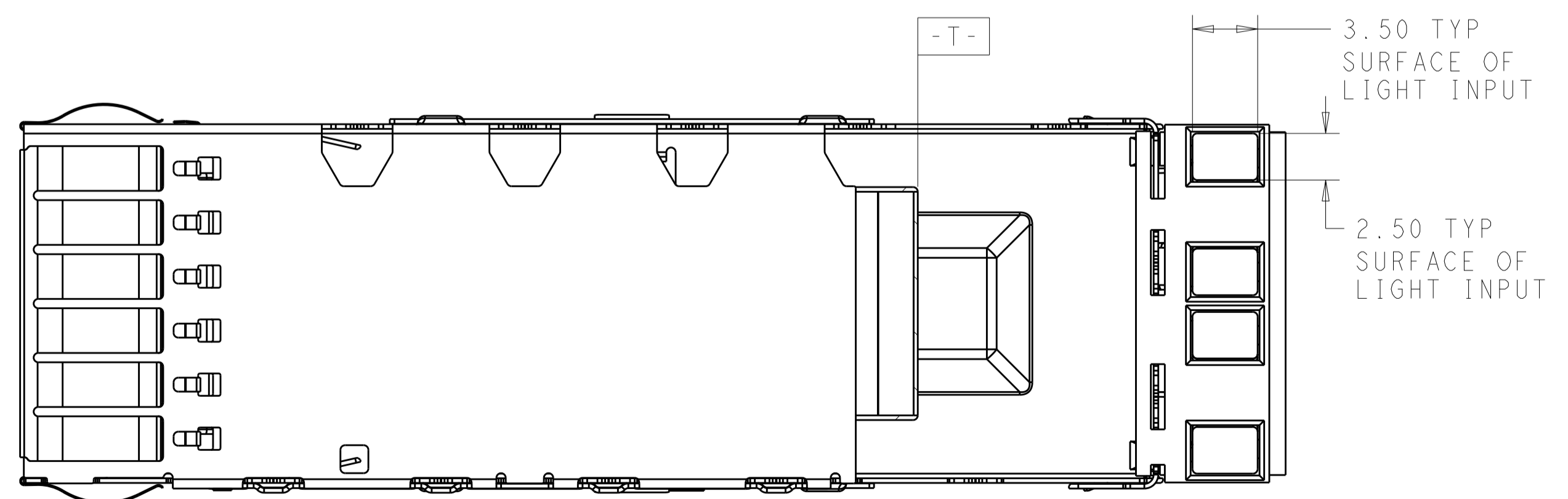
- MATERIAL: CAGE MATERIAL : 0.25 THICK NICKEL SILVER.
 SPRING MATERIAL: COPPER ALLOY
 HEAT SINK MATERIAL: ALUMINUM
 CLIP MATERIAL: STAINLESS STEEL
 LIGHT PIPE MATERIAL: POLYCARBONATE
 ORGANIZER MATERIAL: POLYESTER

- FINISH: SPRING: NICKEL PLATING
 HEAT SINK: BLACK ANODIZE

- ⊠ DIMENSION APPLIES WITH MODULE INSTALLED IN THE CAGE TO TOP OF HEAT SINK.
- ⊠ REFERENCE APPLICATION SPEC 114-32023 FOR RECOMMENDED DRILL HOLE DIAMETER AND PLATING THICKNESS.
- ⊠ DATUM AND BASIC DIMENSIONS ESTABLISHED BY CUSTOMERS.
- 6. MINIMUM PC BOARD THICKNESS : SINGLES SIDED: 1.57 MIN
 DOUBLE SIDED: 2.20 MIN
- ⊠ DATUM [-A-] IS TOP SURFACE OF THE HOST BOARD.
- ⊠ DATE CODE (YYWWD) MARKED APPROXIMATELY AS SHOWN
- ⊠ THESE HOLES ARE OPTIONAL WHEN THE REAR PINS ARE REMOVED.
- 10. MATES WITH QSFP28 MSA COMPATIBLE TRANSCEIVER.
- ⊠ PRELIMINARY PART - NOT RELEASE TO PRODUCTION.



DETAIL A
SCALE 8:1

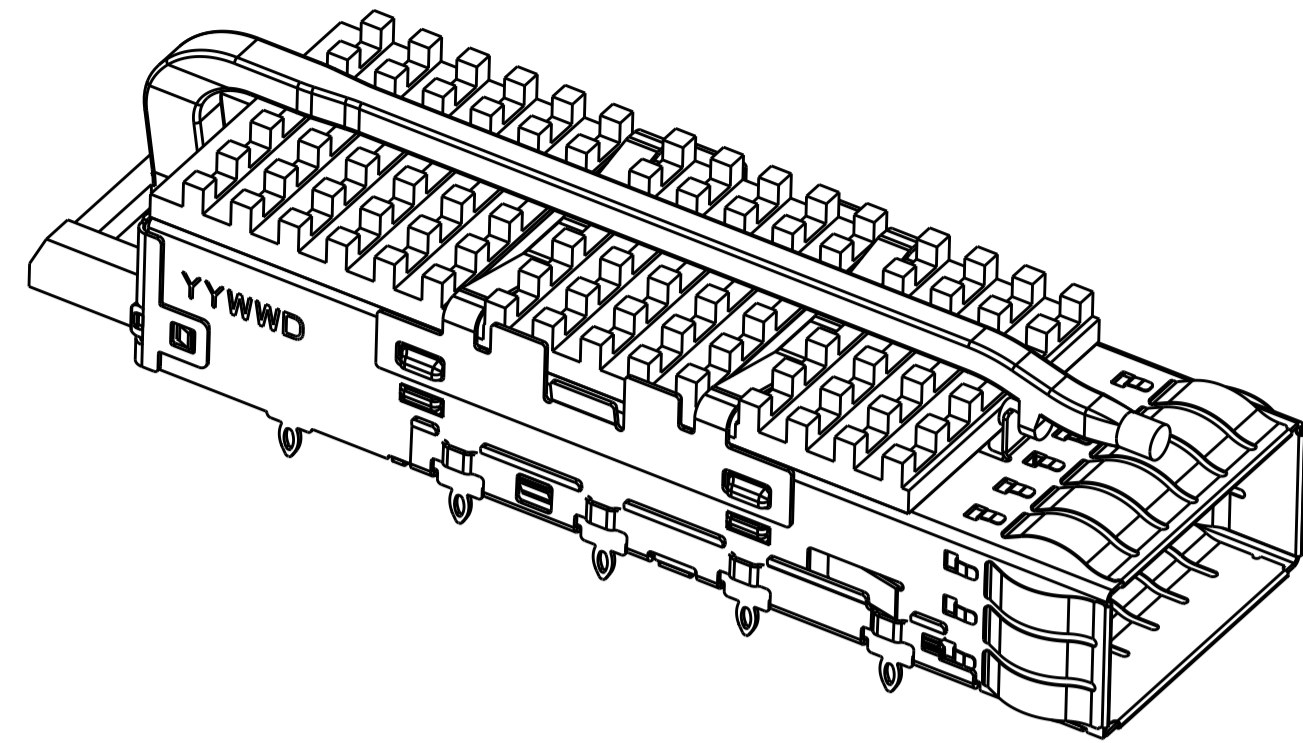


4-2170705-2 AS SHOWN

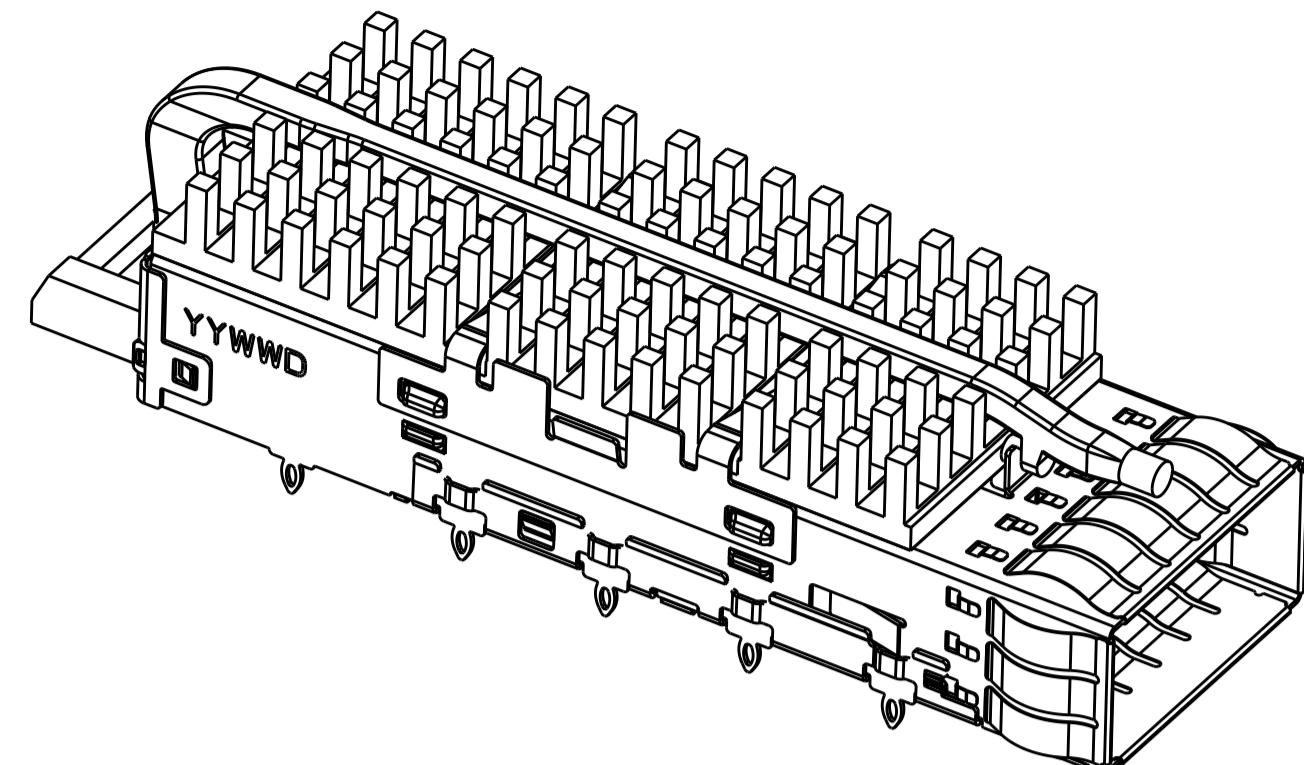
THIS DRAWING IS A CONTROLLED DOCUMENT.		DWN: JASON YANG 07MAR2014	TE Connectivity												
DIMENSIONS: mm		CHK: SEAN HAN 26JAN2016													
TOLERANCES UNLESS OTHERWISE SPECIFIED:		APVD: 07MAR2014	NAME: CAGE ASSEMBLY, QSFP28, THRU BEZEL WITH EMI SPRING FINGER HEAT SINK, LIGHT PIPE												
<table border="1"> <tr><td>0 PLC</td><td>±0.25</td></tr> <tr><td>1 PLC</td><td>±0.25</td></tr> <tr><td>2 PLC</td><td>±0.25</td></tr> <tr><td>3 PLC</td><td>±0.25</td></tr> <tr><td>4 PLC</td><td>±0.100</td></tr> <tr><td>ANGLES</td><td>±°</td></tr> </table>		0 PLC	±0.25	1 PLC	±0.25	2 PLC	±0.25	3 PLC	±0.25	4 PLC	±0.100	ANGLES	±°	PRODUCT SPEC: 108-19428	SIZE: CAGE CODE DRAWING NO: A100779
0 PLC	±0.25														
1 PLC	±0.25														
2 PLC	±0.25														
3 PLC	±0.25														
4 PLC	±0.100														
ANGLES	±°														
MATERIAL: .		APPLICATION SPEC: 114-32023	RESTRICTED TO: -												
FINISH: .		WEIGHT: .	SCALE: 2:1 SHEET 1 OF 7 REV A												
CUSTOMER DRAWING															

LOC		DIST		REVISIONS			
P	LYR	DESCRIPTION	DATE	OWN	APVD		
-	-	SEE SHEET 1	-	-	-		

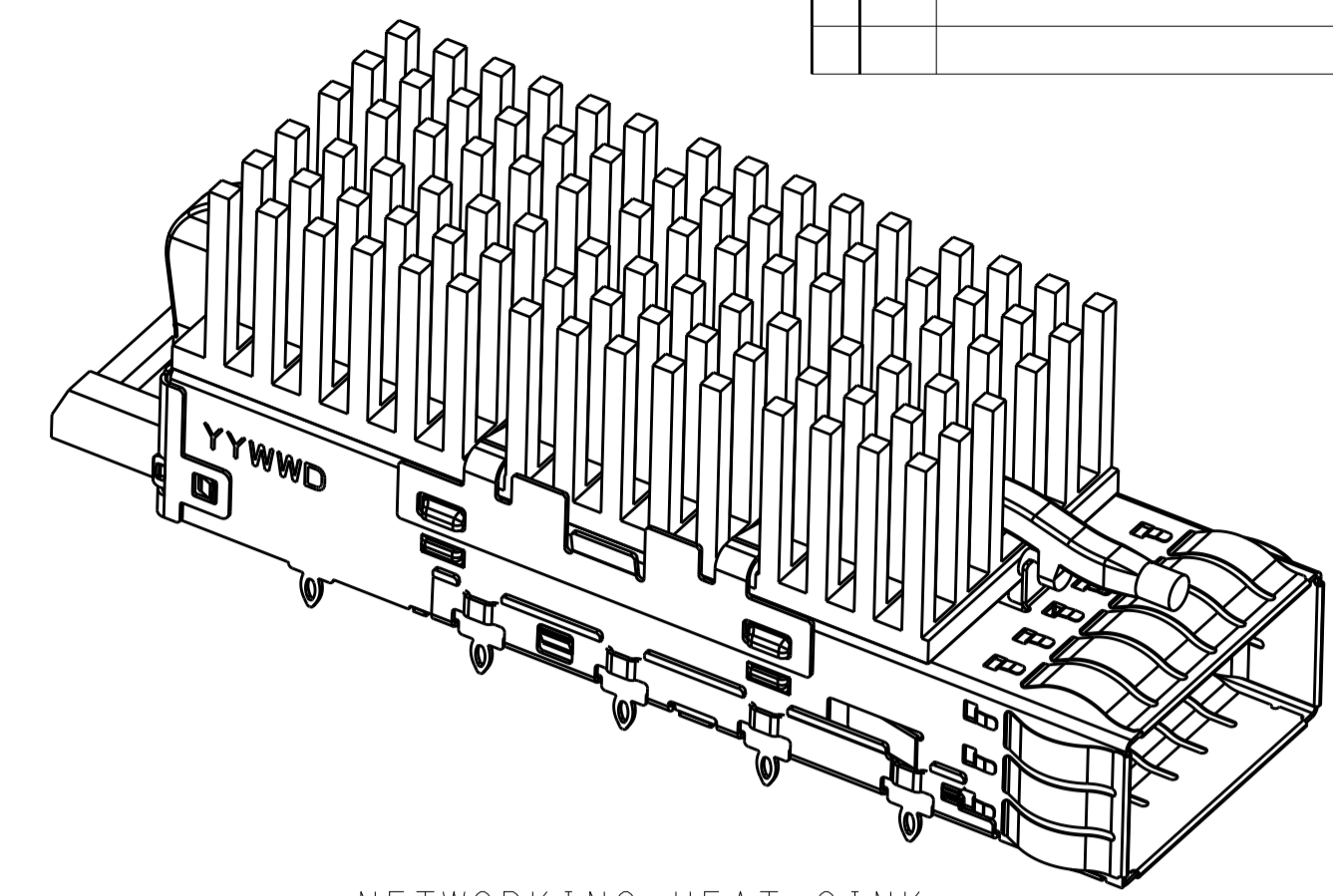
HEAT SINK OPTIONS



PCI HEAT SINK
SCALE 5:2

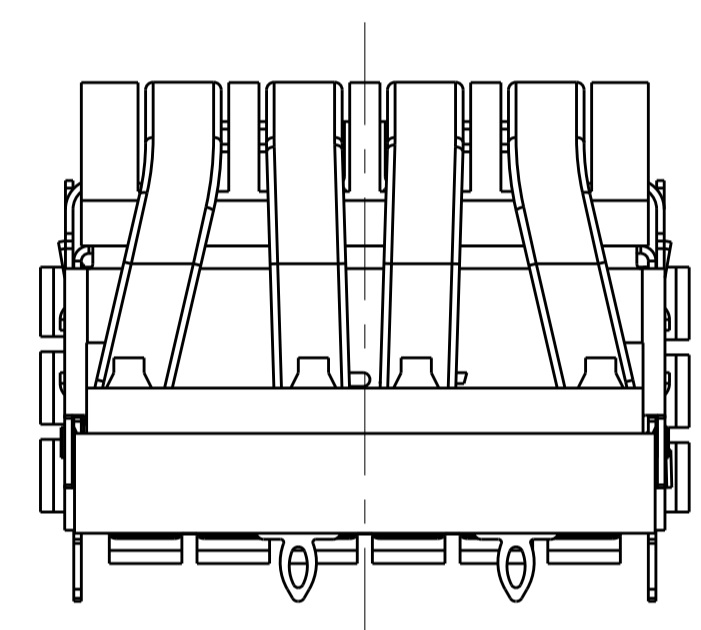


SAN HEAT SINK
SCALE 5:2

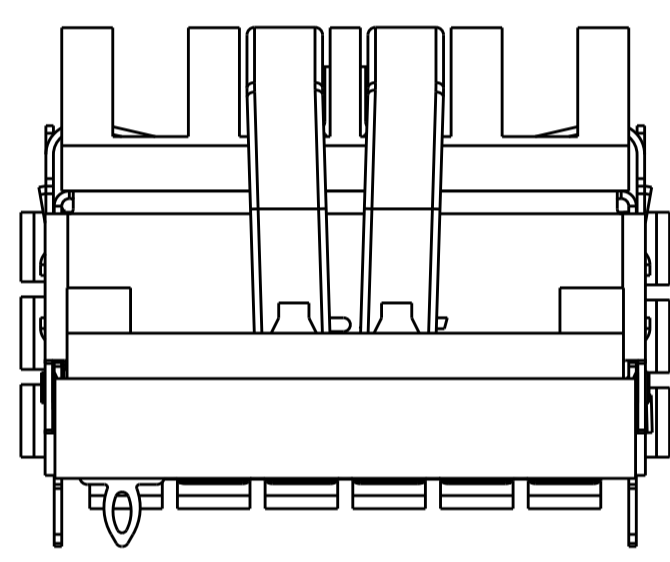


NETWORKING HEAT SINK
SCALE 5:2

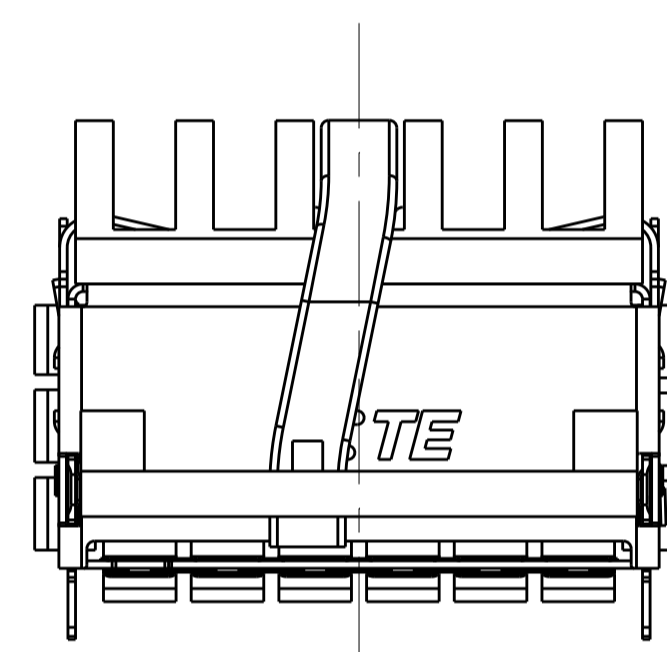
OF REAR LEGS OPTIONS



2 REAR LEGS
SCALE 4:1

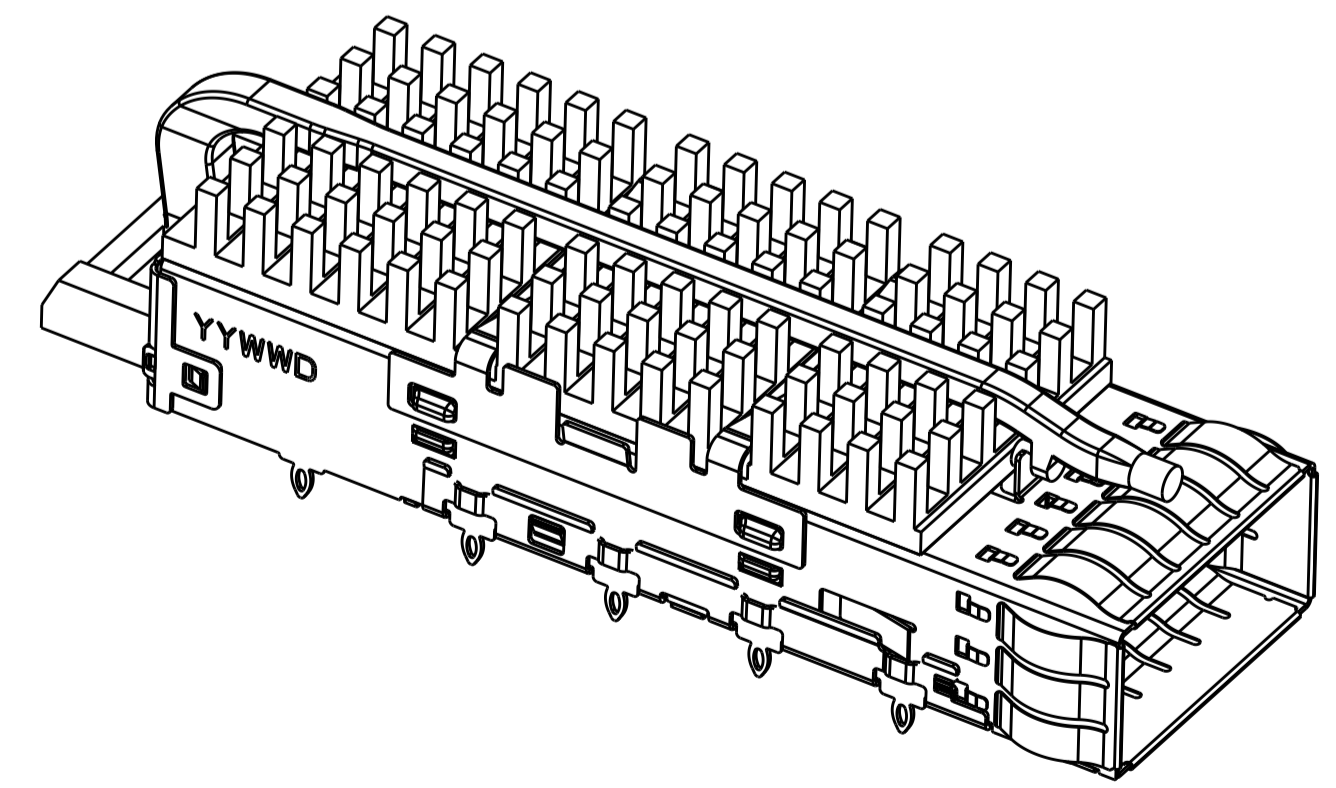


1 REAR LEG
SCALE 4:1

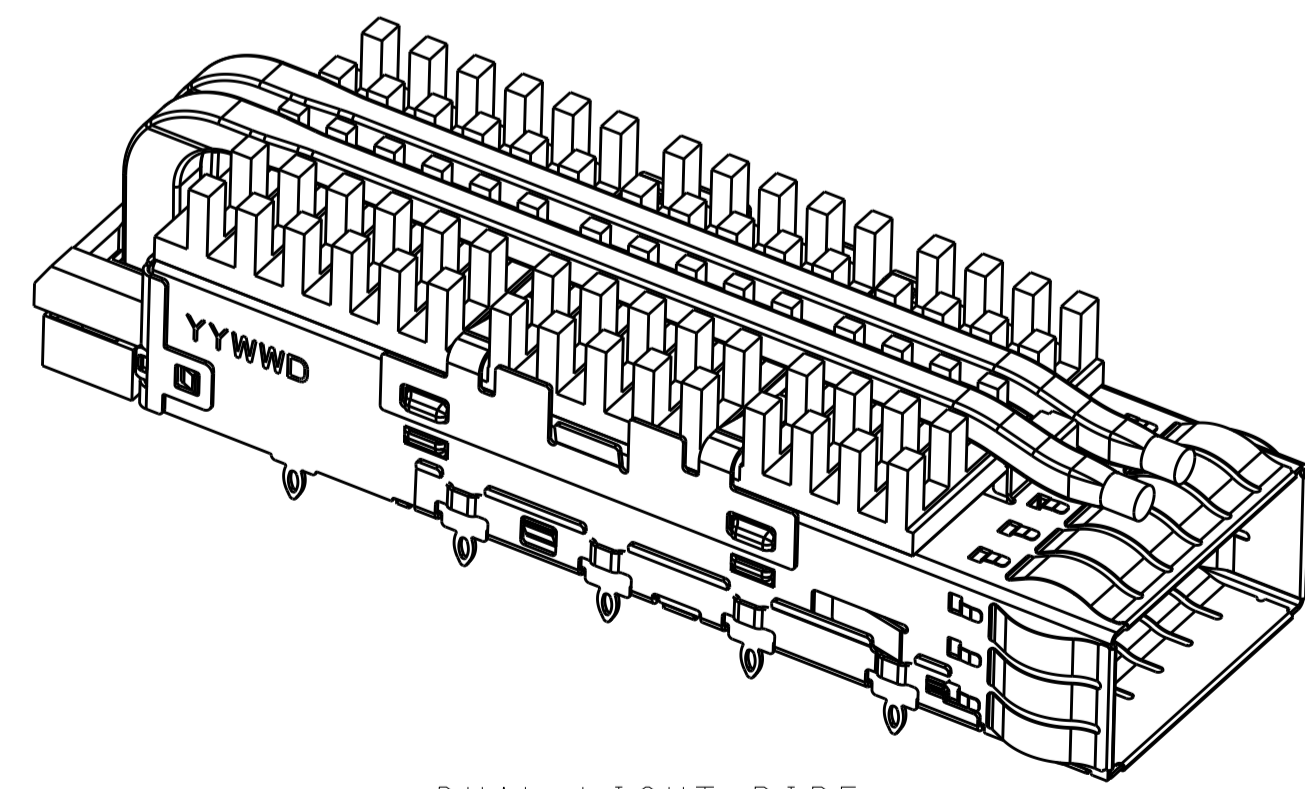


0 REAR LEG
SCALE 4:1

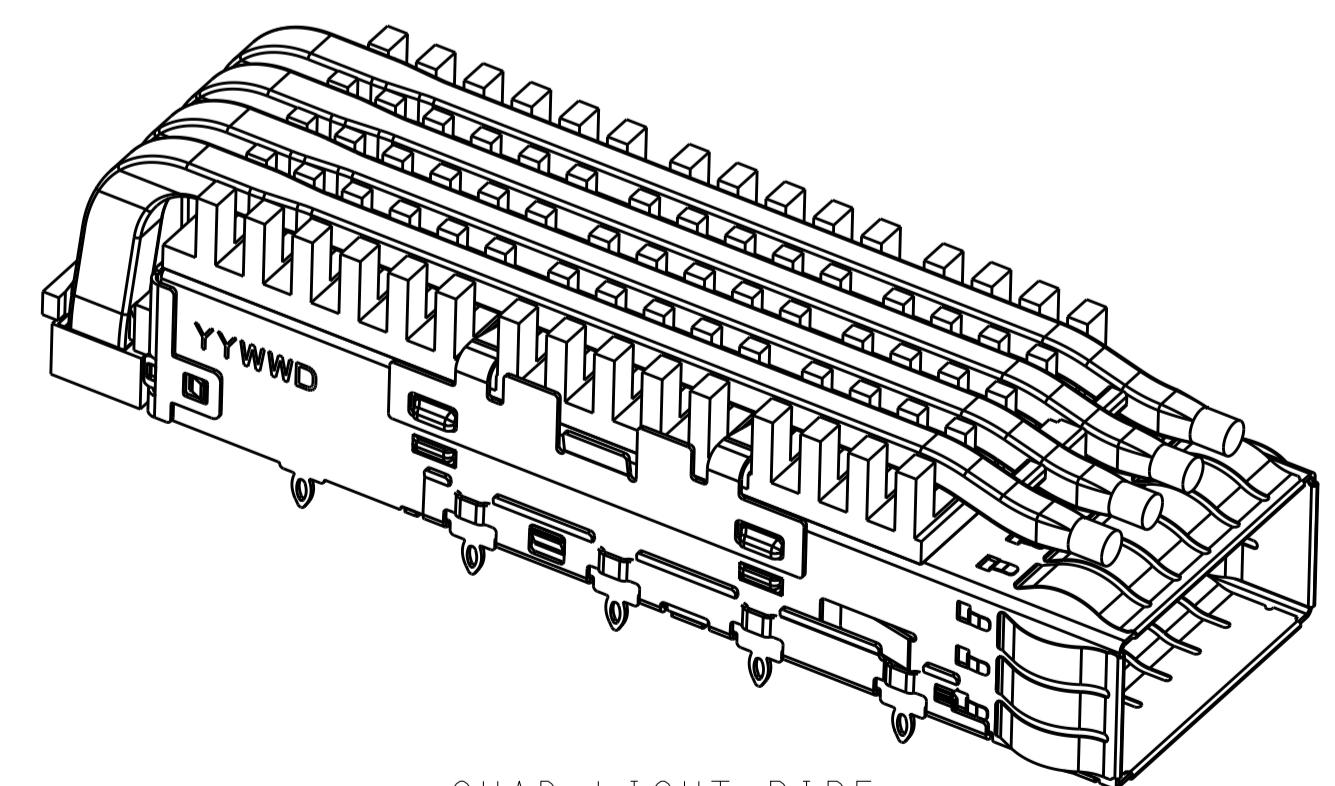
LIGHT PIPE OPTIONS



SINGLE LIGHT PIPE
WITHOUT ORGANIZER
SCALE 5:2



DUAL LIGHT PIPE
SCALE 5:2

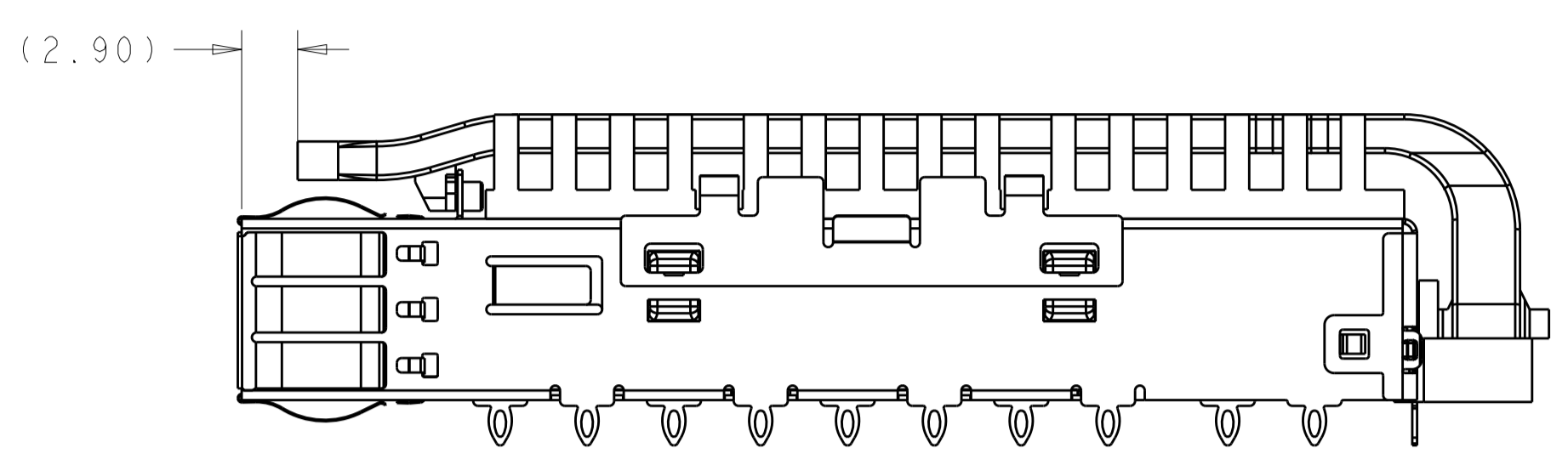


QUAD LIGHT PIPE
SCALE 5:2

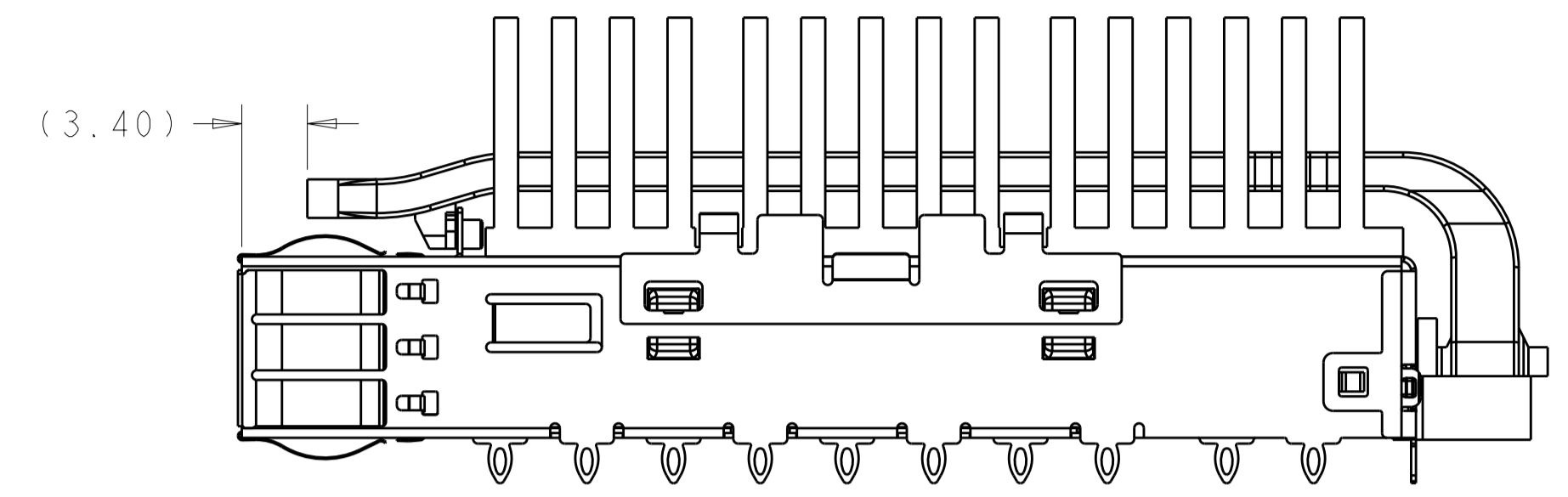
THIS DRAWING IS A CONTROLLED DOCUMENT.		OWN: JASON YANG 07MAR2014	
		CHK: SEAN HAN 26JAN2016	
DIMENSIONS:		APVD: 07MAR2014	NAME: CAGE ASSEMBLY, OSFP28, THRU BEZEL WITH EMI SPRING FINGER HEAT SINK, LIGHT PIPE PRODUCT SPEC: 108-19428 APPLICATION SPEC: 114-32023
TOLERANCES UNLESS OTHERWISE SPECIFIED: mm: 0 PLC ±0.25 1 PLC ±0.25 2 PLC ±0.25 3 PLC ±0.25 4 PLC ±0.100 ANGLES ±°		SIZE: A100779 CAGE CODE: C=2170705 DRAWING NO: 114-32023	
MATERIAL: -		WEIGHT: -	RESTRICTED TO: -
FINISH: -		CUSTOMER DRAWING	SCALE: 2:1 SHEET 2 OF 7 REV A

LOC	DIST	REVISIONS			
P	LTN	DESCRIPTION	DATE	DWN	APVD
-	-	SEE SHEET 1	-	-	-

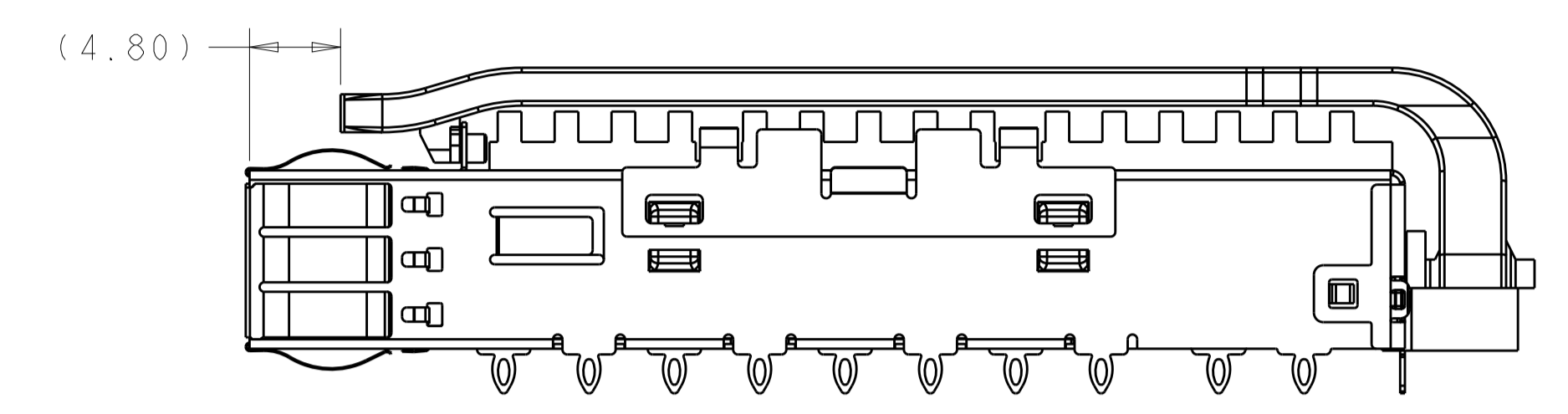
LIGHT PIPE LENGTH OPTIONS



WITH LIGHT PIPE LENGHT B=2.9
SCALE 3:1



WITH LIGHT PIPE LENGHT B=3.4
SCALE 3:1



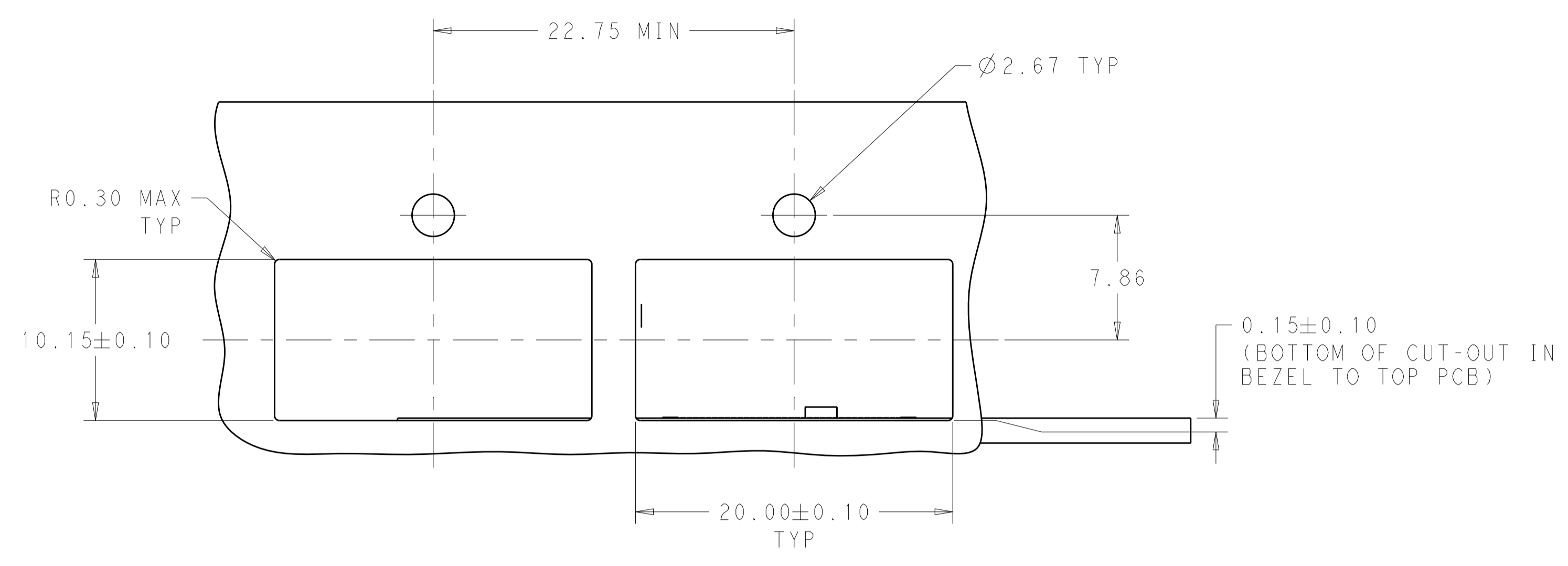
WITH LIGHT PIPE LENGHT B=4.8
SCALE 3:1

BOM

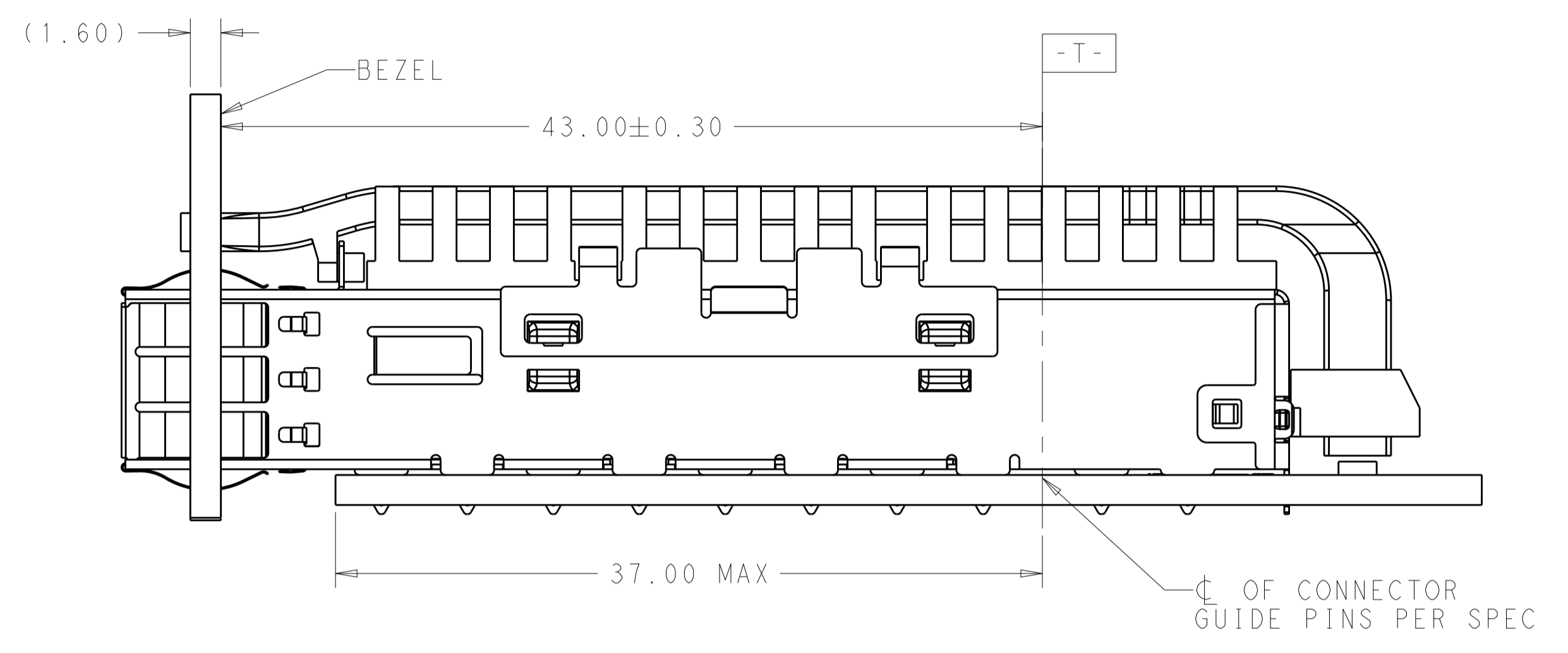
4.8	2	13.7	PCI	QUAD LP	6-2170705-1	△
3.4	1	23.0	NETWORKING	QUAD LP	5-2170705-9	
2.9	1	16.0	SAN	COATED QUAD LP	5-2170705-8	
	1	13.7	PCI	COATED QUAD LP	5-2170705-7	
	0	31.6	CUSTOMIZED	QUAD LP	5-2170705-1	
	1	23.0	NETWORKING	QUAD LP	4-2170705-9	
	1	16.0	SAN	QUAD LP	4-2170705-8	
	1	13.7	PCI	QUAD LP	4-2170705-7	
	0	23.0	NETWORKING	QUAD LP	4-2170705-6	
	0	16.0	SAN	QUAD LP	4-2170705-5	
	0	13.7	PCI	QUAD LP	4-2170705-4	
	2	23.0	NETWORKING	QUAD LP	4-2170705-3	
	2	16.0	SAN	QUAD LP	4-2170705-2	
	2	13.7	PCI	QUAD LP	4-2170705-1	
	1	23.0	NETWORKING	DUAL LP	2-2170705-9	
	1	16.0	SAN	DUAL LP	2-2170705-8	
	1	13.7	PCI	DUAL LP	2-2170705-7	
	0	23.0	NETWORKING	DUAL LP	2-2170705-6	
	0	16.0	SAN	DUAL LP	2-2170705-5	
	0	13.7	PCI	DUAL LP	2-2170705-4	
	2	23.0	NETWORKING	DUAL LP	2-2170705-3	
	2	16.0	SAN	DUAL LP	2-2170705-2	
2	13.7	PCI	DUAL LP	2-2170705-1		
1	23.0	NETWORKING	SINGLE LP	2170705-9		
1	16.0	SAN	SINGLE LP	2170705-8		
1	13.7	PCI	SINGLE LP	2170705-7		
0	23.0	NETWORKING	SINGLE LP	2170705-6		
0	16.0	SAN	SINGLE LP	2170705-5		
0	13.7	PCI	SINGLE LP	2170705-4		
2	23.0	NETWORKING	SINGLE LP	2170705-3		
2	16.0	SAN	SINGLE LP	2170705-2		
2	13.7	PCI	SINGLE LP	2170705-1		
DIM B	# REAR PINS	DIM A	APPLICATION (HEAT SINK OPTION)	LIGHT PIPE OPTION	PART NUMBER	

THIS DRAWING IS A CONTROLLED DOCUMENT.		DWN: JASON YANG 07MAR2014	TE Connectivity
DIMENSIONS: mm		CHK: SEAN HAN 26JAN2016	
TOLERANCES UNLESS OTHERWISE SPECIFIED:		APVD: 07MAR2014	NAME: CAGE ASSEMBLY, OSFP28, THRU BEZEL WITH EMI SPRING FINGER HEAT SINK, LIGHT PIPE
0 PLC ±0.25 1 PLC ±0.25 2 PLC ±0.25 3 PLC ±0.100 4 PLC ± ANGLES ±°		PRODUCT SPEC: 108-19428	SIZE: A1
MATERIAL: -		APPLICATION SPEC: 114-32023	CAGE CODE: 2170705
FINISH: -		WEIGHT: -	RESTRICTED TO: -
CUSTOMER DRAWING		SCALE: 2:1	SHEET 3 OF 7 REV A

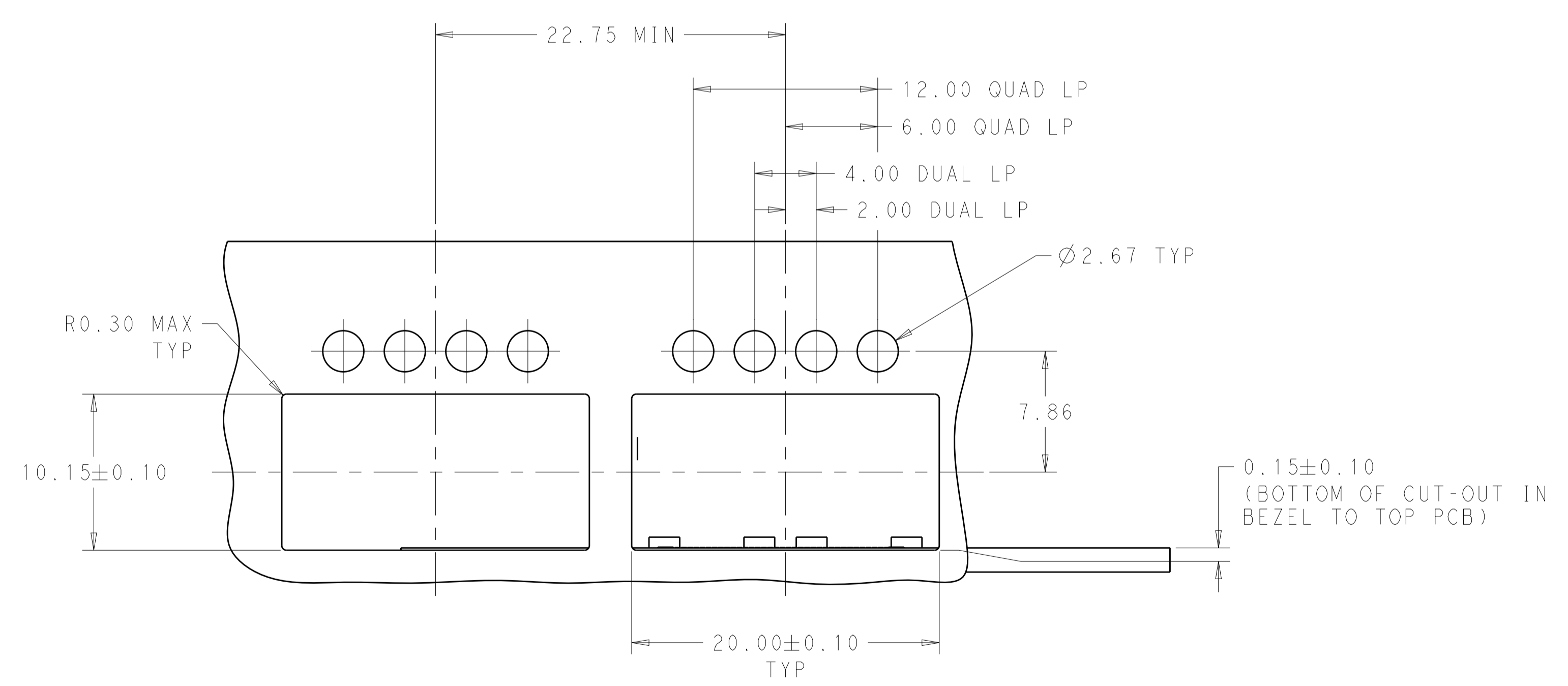
LOC	DIST	REVISIONS			
P	LTN	DESCRIPTION	DATE	DMN	APVD
-	-	SEE SHEET 1	-	-	-



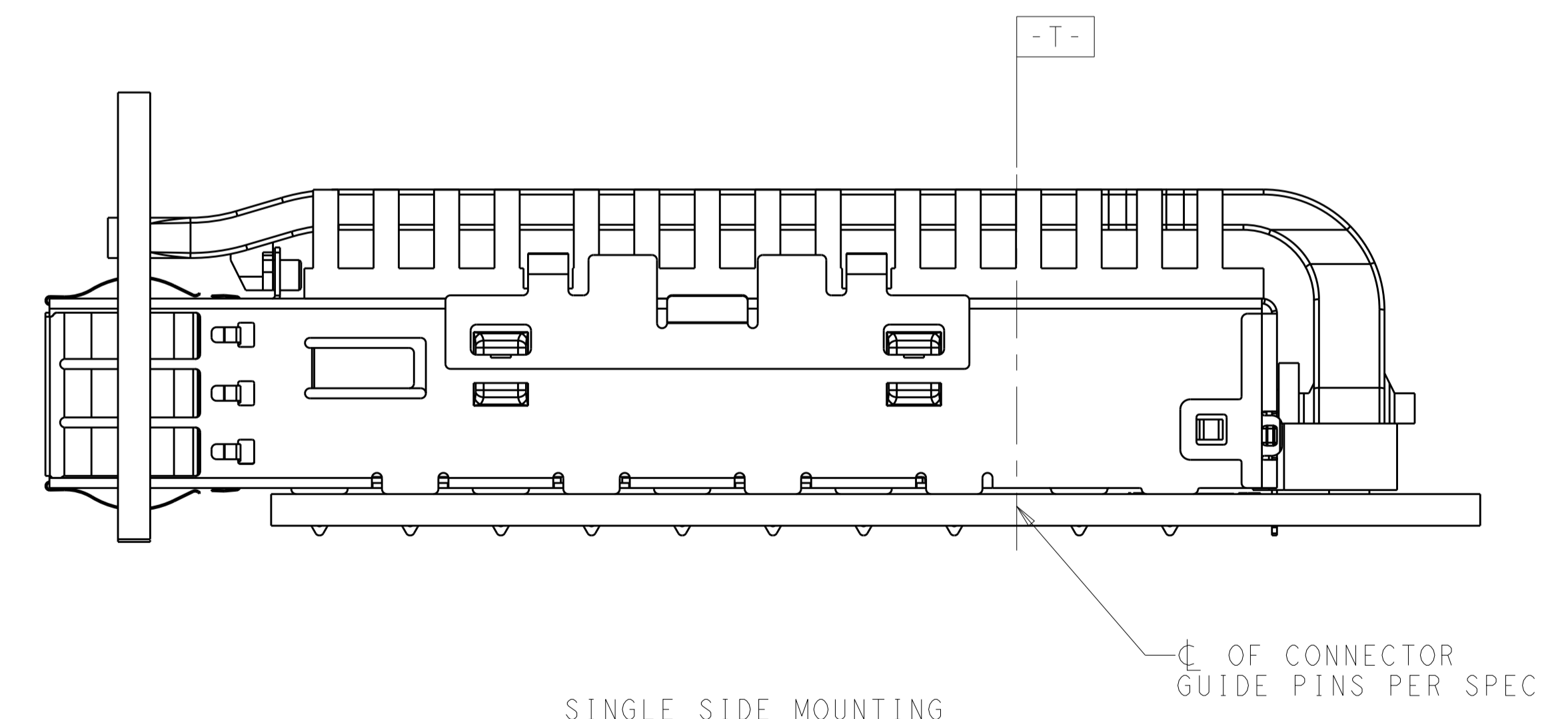
SINGLE LIGHT PIPE TYPE



SINGLE SIDE MOUNTING
SCALE 4:1



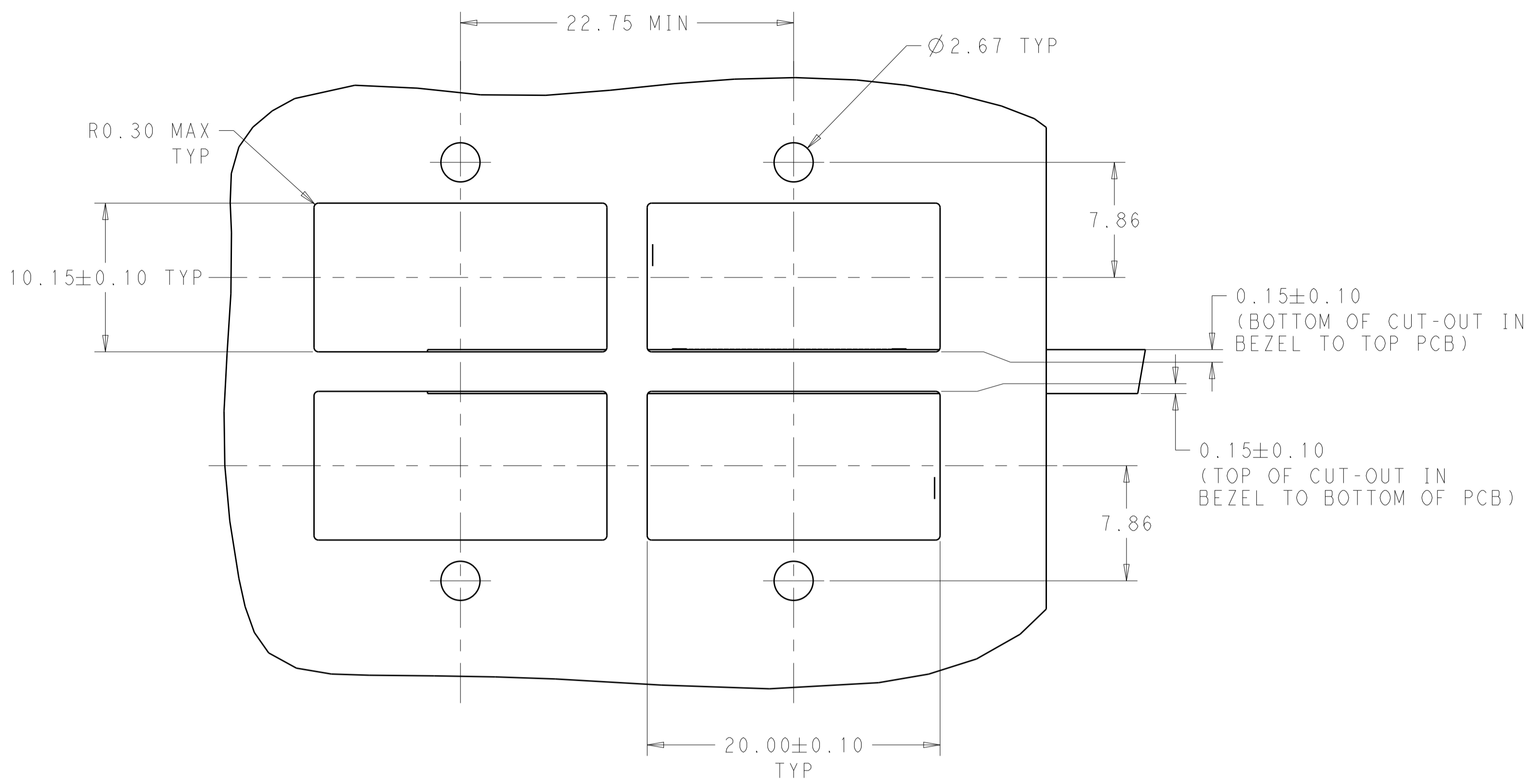
DUAL/QUAD LIGHT PIPE TYPE



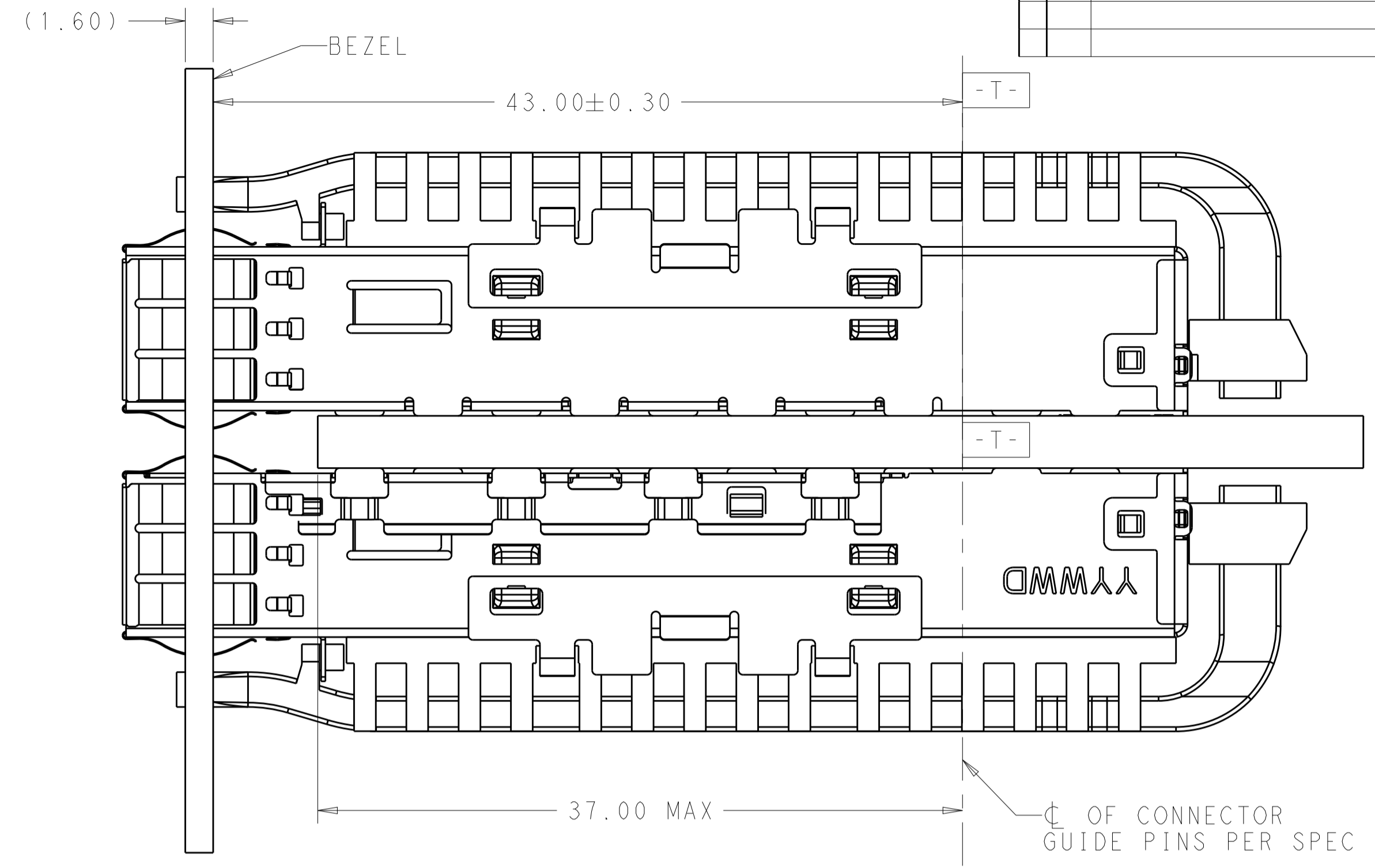
SINGLE SIDE MOUNTING
SCALE 4:1

THIS DRAWING IS A CONTROLLED DOCUMENT.		DMN: JASON YANG 07MAR2014	TE Connectivity
DIMENSIONS: mm		CHK: SEAN HAN 26JAN2016	
TOLERANCES UNLESS OTHERWISE SPECIFIED:		APVD: 07MAR2014	NAME: CAGE ASSEMBLY, QSFP28, THRU BEZEL WITH EMI SPRING FINGER HEAT SINK, LIGHT PIPE
0 PLC	±0.25	PRODUCT SPEC	SIZE: CAGE CODE DRAWING NO
1 PLC	±0.25	108-19428	RESTRICTED TO
2 PLC	±0.25	APPLICATION SPEC	A100779C=2170705
3 PLC	±0.25	114-32023	SCALE 2:1 SHEET 4 OF 7 REV A
4 PLC	±0.100	WEIGHT	
ANGLES	±°	CUSTOMER DRAWING	
MATERIAL			
FINISH			

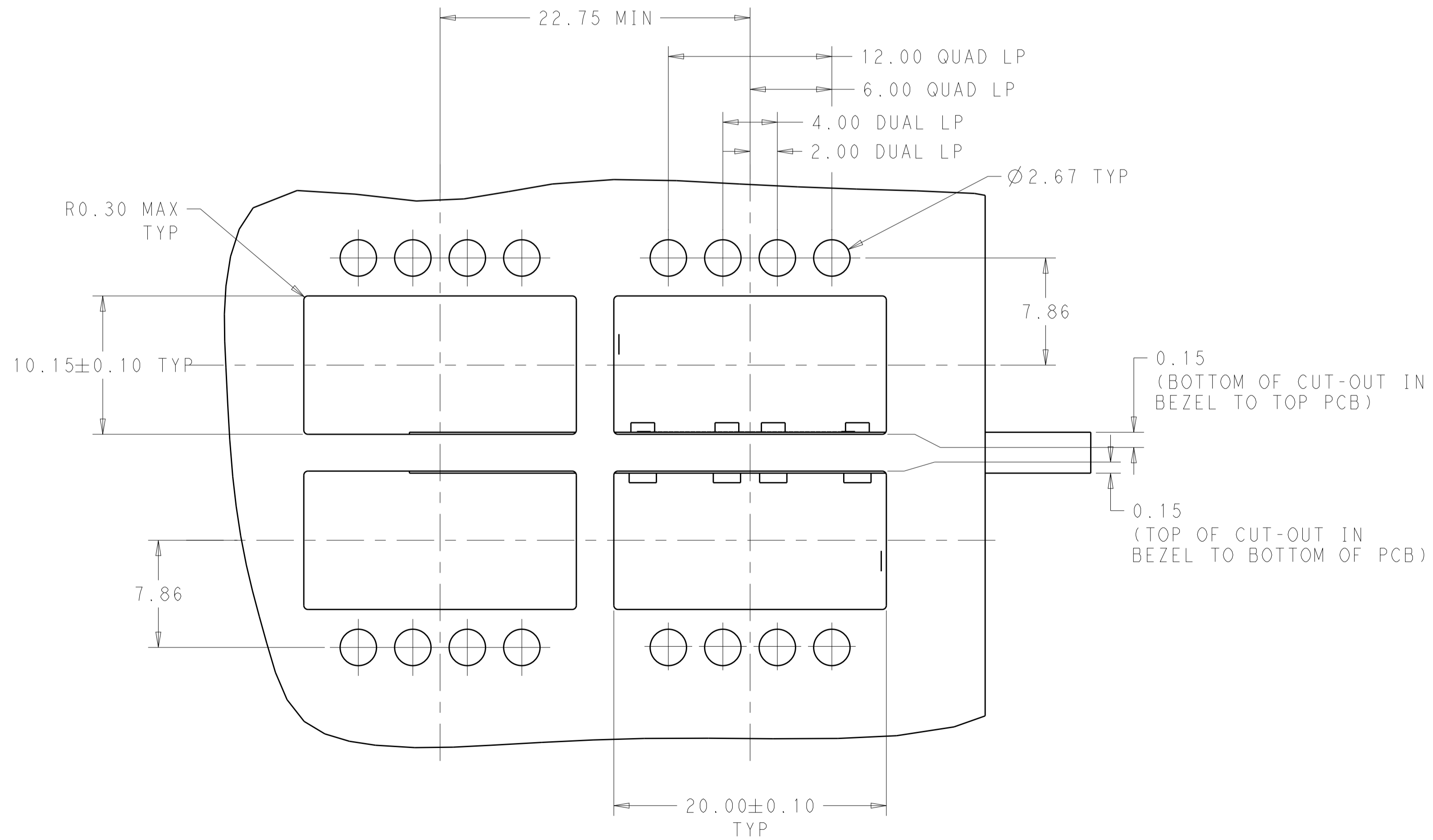
LOC	DIST	REV	DESCRIPTION	DATE	OWN	APVD
		1	SEE SHEET 1			



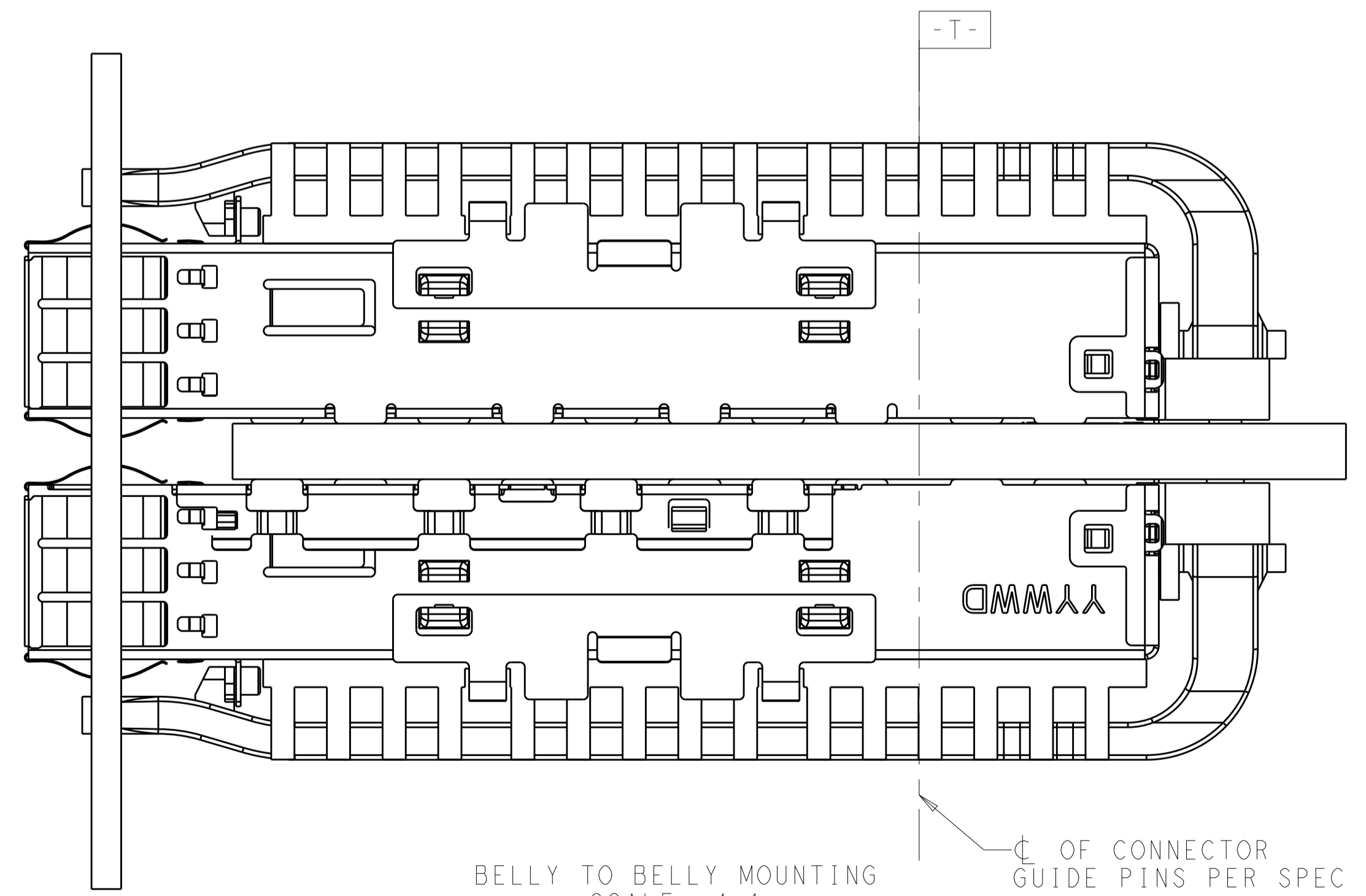
SINGLE LIGHT PIPE TYPE



BELLY TO BELLY MOUNTING
SCALE 4:1



DUAL/QUAD LIGHT PIPE TYPE

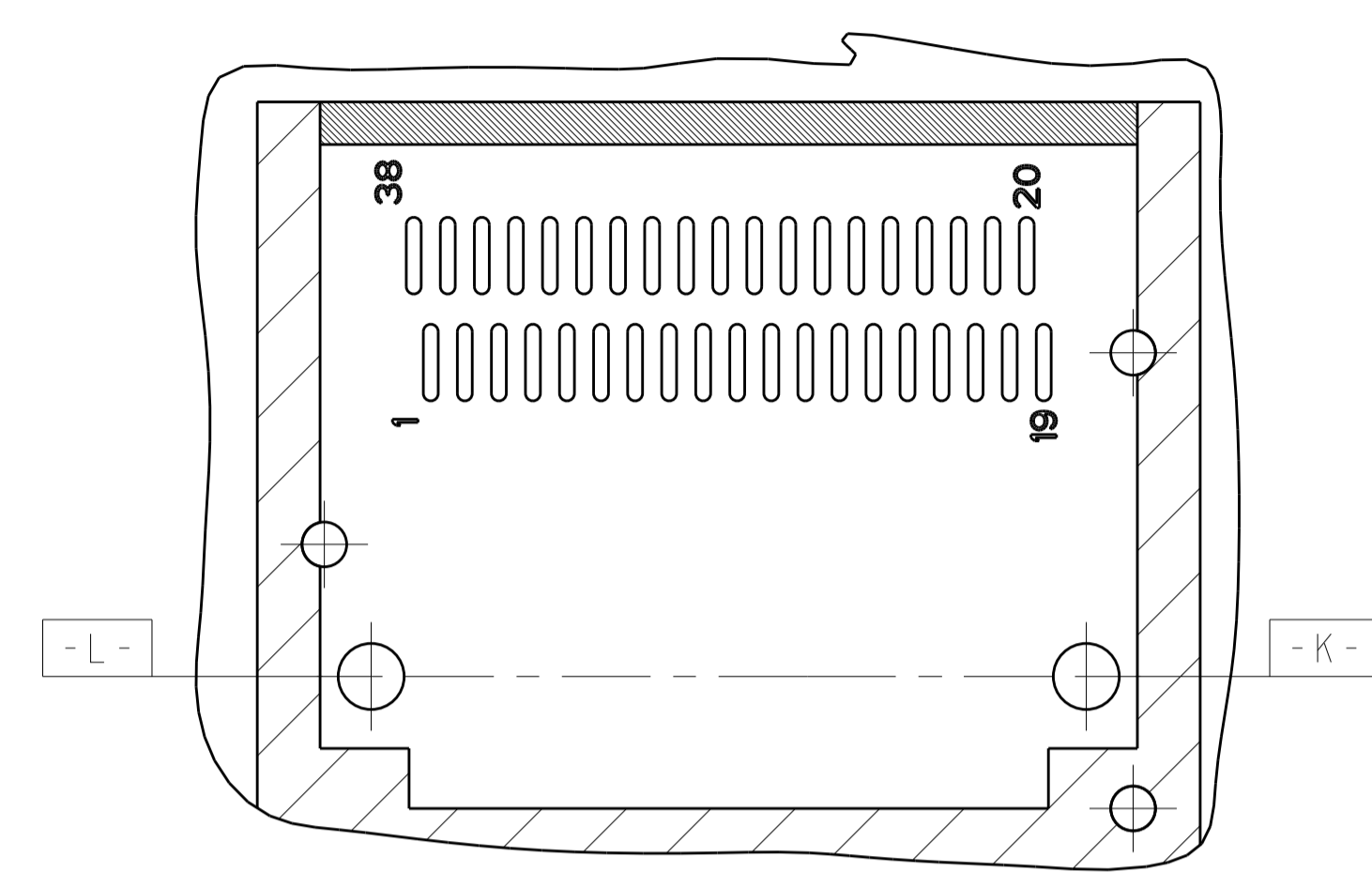
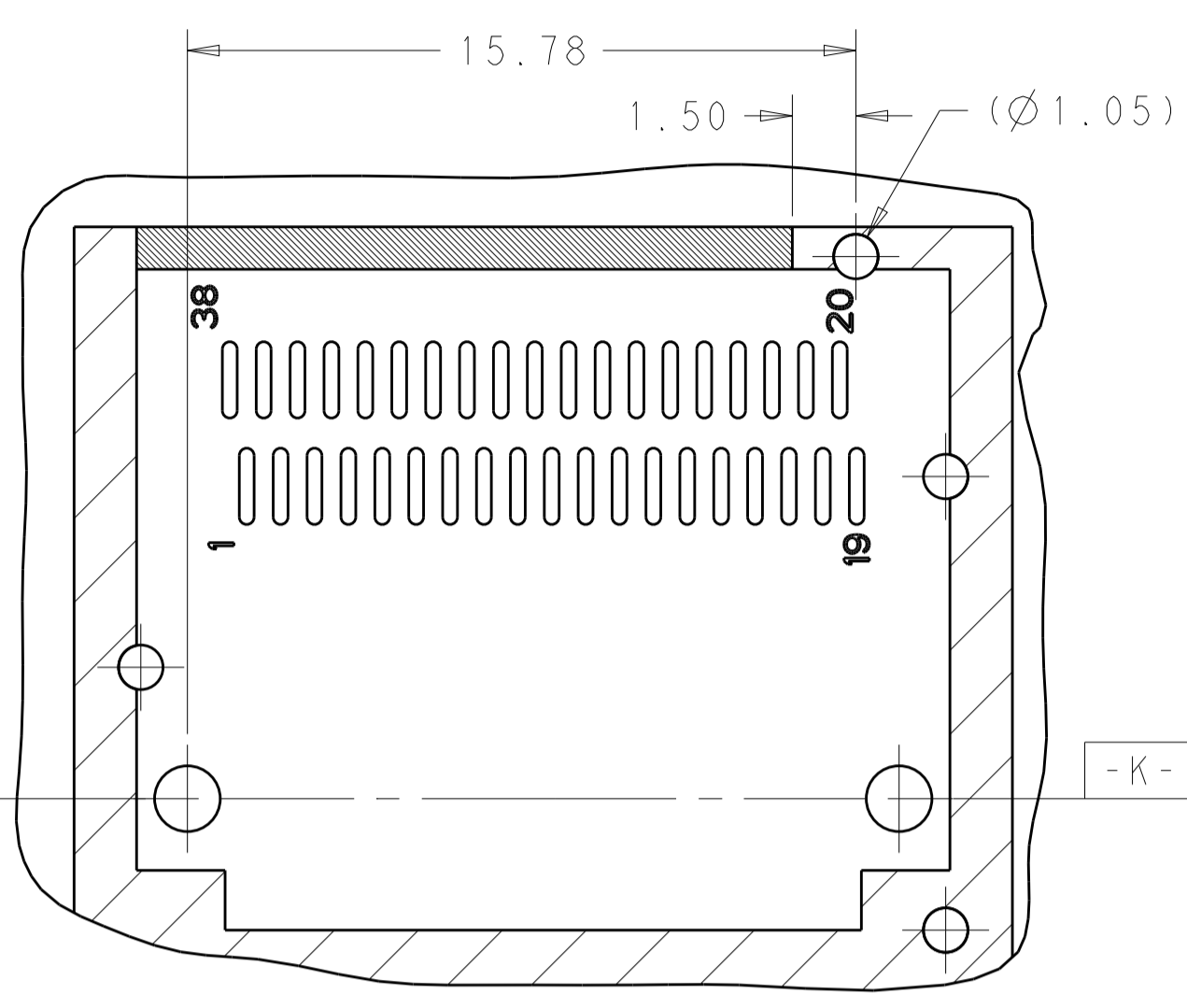
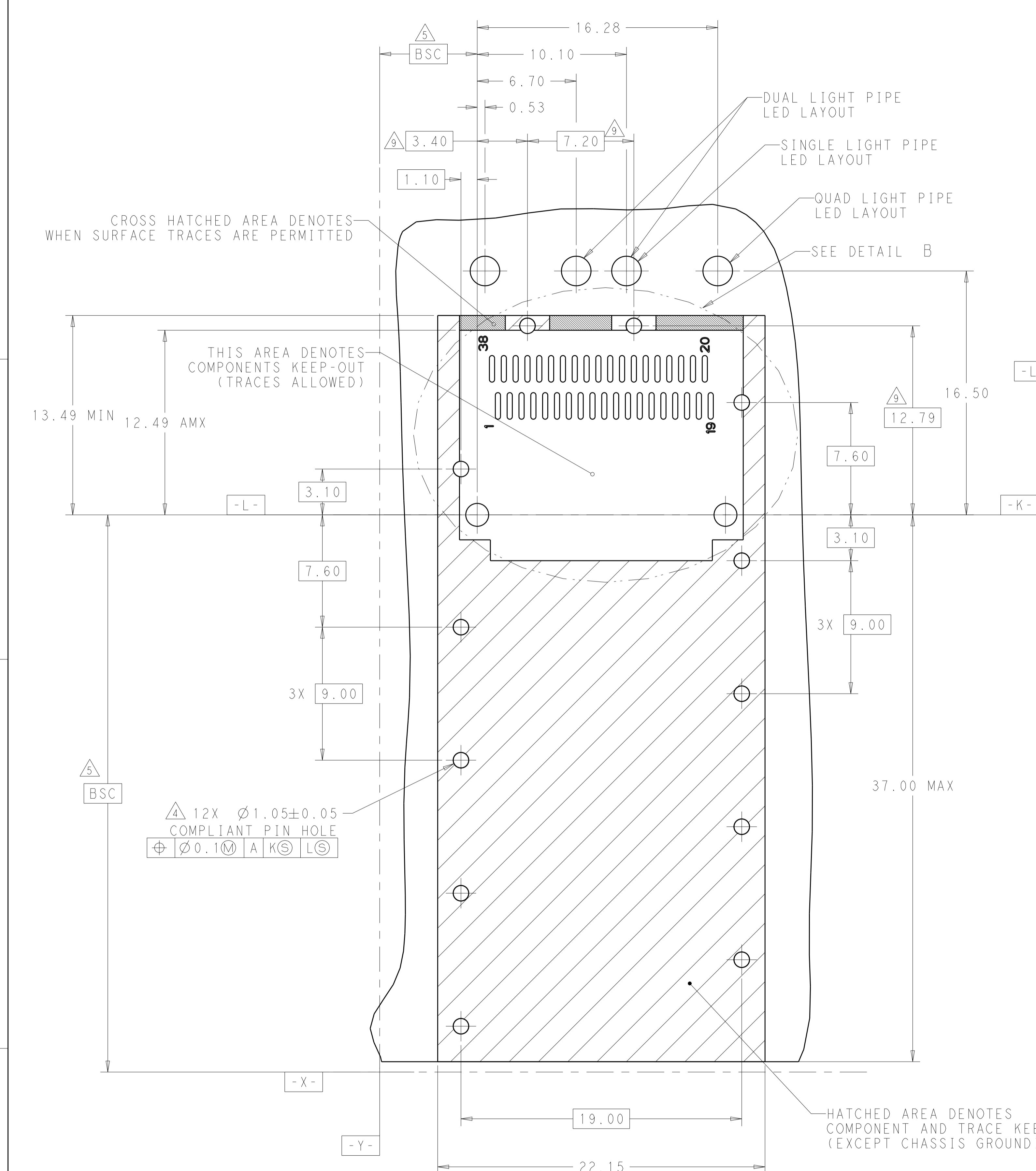


BELLY TO BELLY MOUNTING
SCALE 4:1

THIS DRAWING IS A CONTROLLED DOCUMENT.		OWN: JASON YANG 07MAR2014	TE Connectivity
DIMENSIONS: mm		CHK: SEAN HAN 26JAN2016	
TOLERANCES UNLESS OTHERWISE SPECIFIED:		APVD: 07MAR2014	NAME: CAGE ASSEMBLY, QSFP28, THRU BEZEL WITH EMI SPRING FINGER HEAT SINK, LIGHT PIPE
0 PLC	±0.25	PRODUCT SPEC	SIZE: A1
1 PLC	±0.25	108-19428	CAGE CODE: 114-32023
2 PLC	±0.25	APPLICATION SPEC	DRAWING NO: 2170705
3 PLC	±0.25	114-32023	RESTRICTED TO: -
4 PLC	±1.00	WEIGHT: -	SCALE: 2:1
ANGLES	±°	CUSTOMER DRAWING	SHEET 5 OF 7
MATERIAL	-		REV A

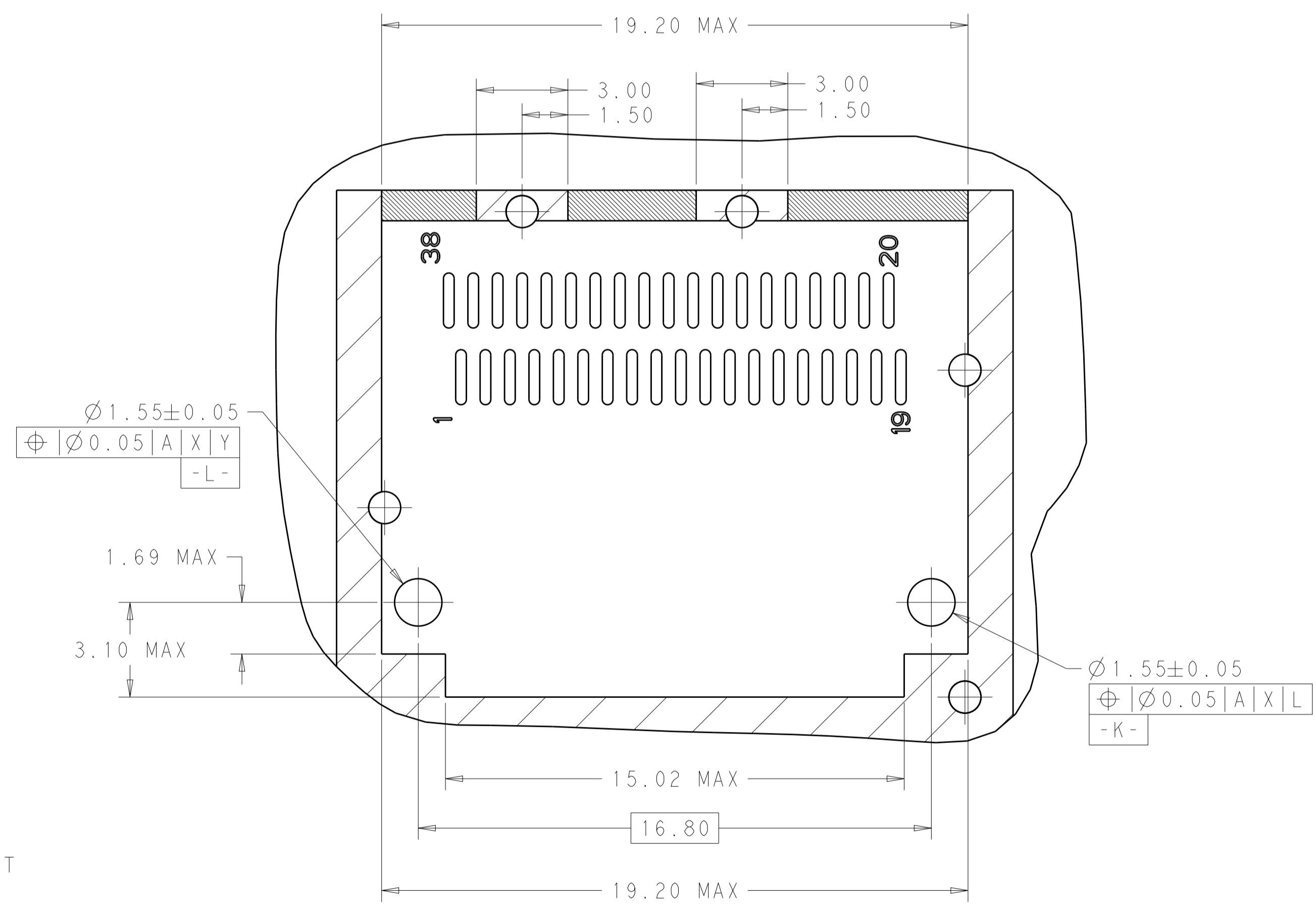
LOC	DIST	REV	DATE	BY	APPV
		1			

REV	DATE	DESCRIPTION
1		SEE SHEET 1



RECOMMENDED PCB LAYOUT
 SINGLE TYPE OF 1 REAR HOLES OF LEGS
 PCB TOLERANCE: ±0.05
 SCALE 6:1

RECOMMENDED PCB LAYOUT
 SINGLE TYPE OF 0 REAR HOLES OF LEGS
 PCB TOLERANCE: ±0.05
 SCALE 6:1

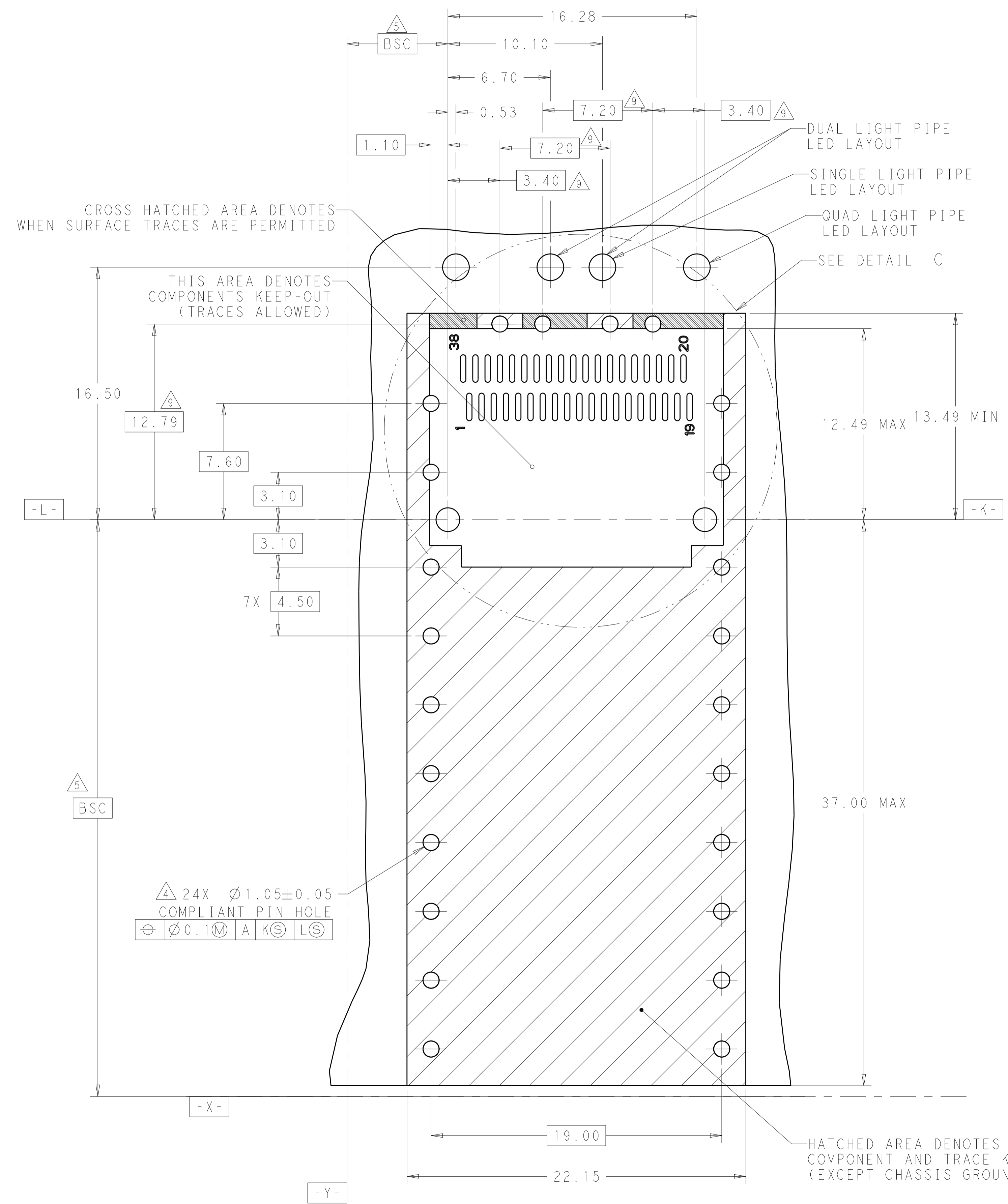


DETAIL B
 SCALE 8:1

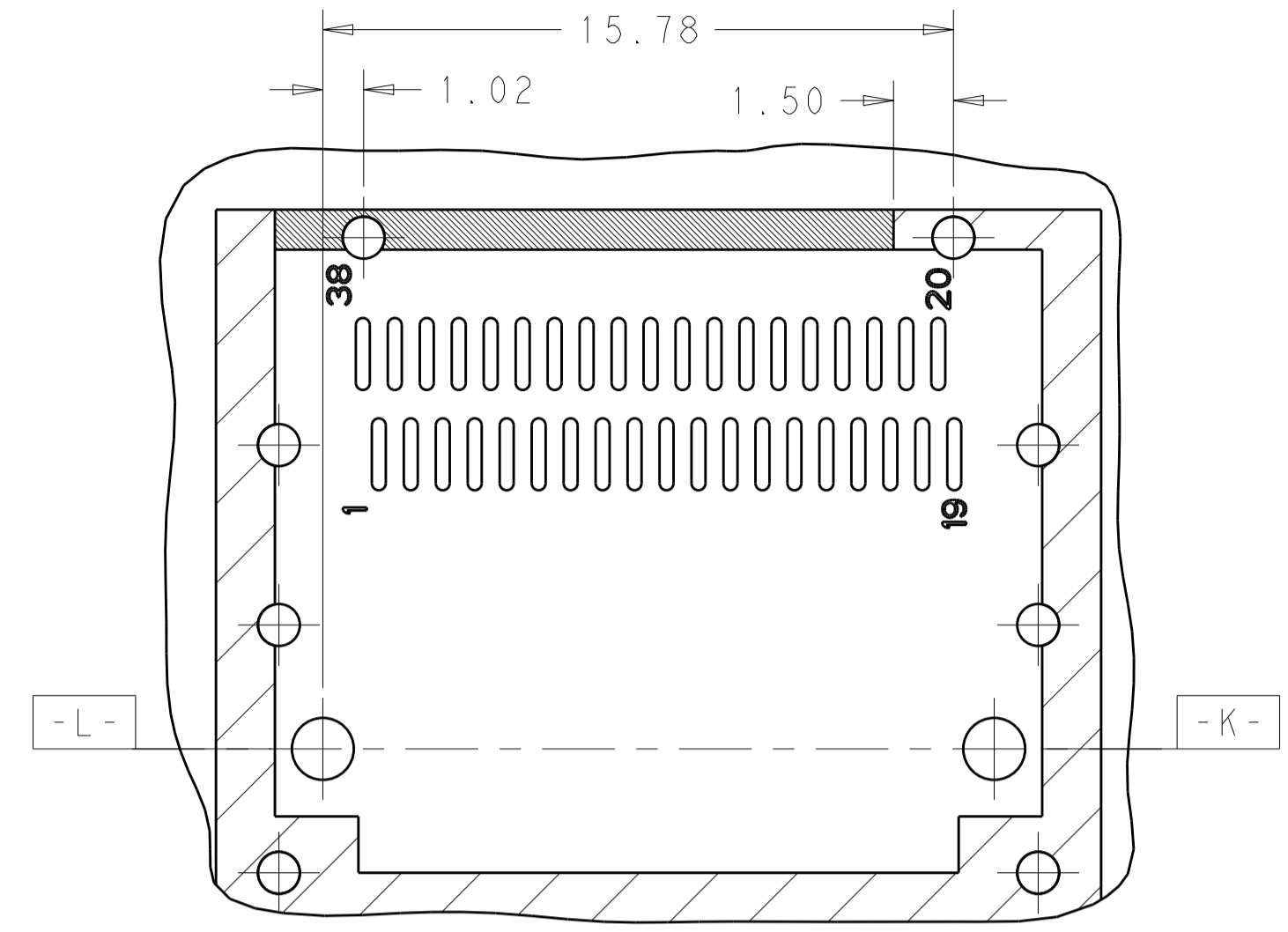
RECOMMENDED PCB LAYOUT
 SINGLE TYPE OF 2 REAR HOLES OF LEGS
 PCB TOLERANCE: ±0.05
 SCALE 6:1

THIS DRAWING IS A CONTROLLED DOCUMENT.		DWN: JASON YANG 07MAR2014 CHN: SEAN HAN 26JAN2016 APVD: 07MAR2014	TE Connectivity
DIMENSIONS: mm		PRODUCT SPEC: 108-19428 APPLICATION SPEC: 114-32023 WEIGHT: - CUSTOMER DRAWING	
TOLERANCES UNLESS OTHERWISE SPECIFIED: 0 PLC ±0.25 1 PLC ±0.25 2 PLC ±0.25 3 PLC ±0.25 4 PLC ±0.100 ANGLES ±°			

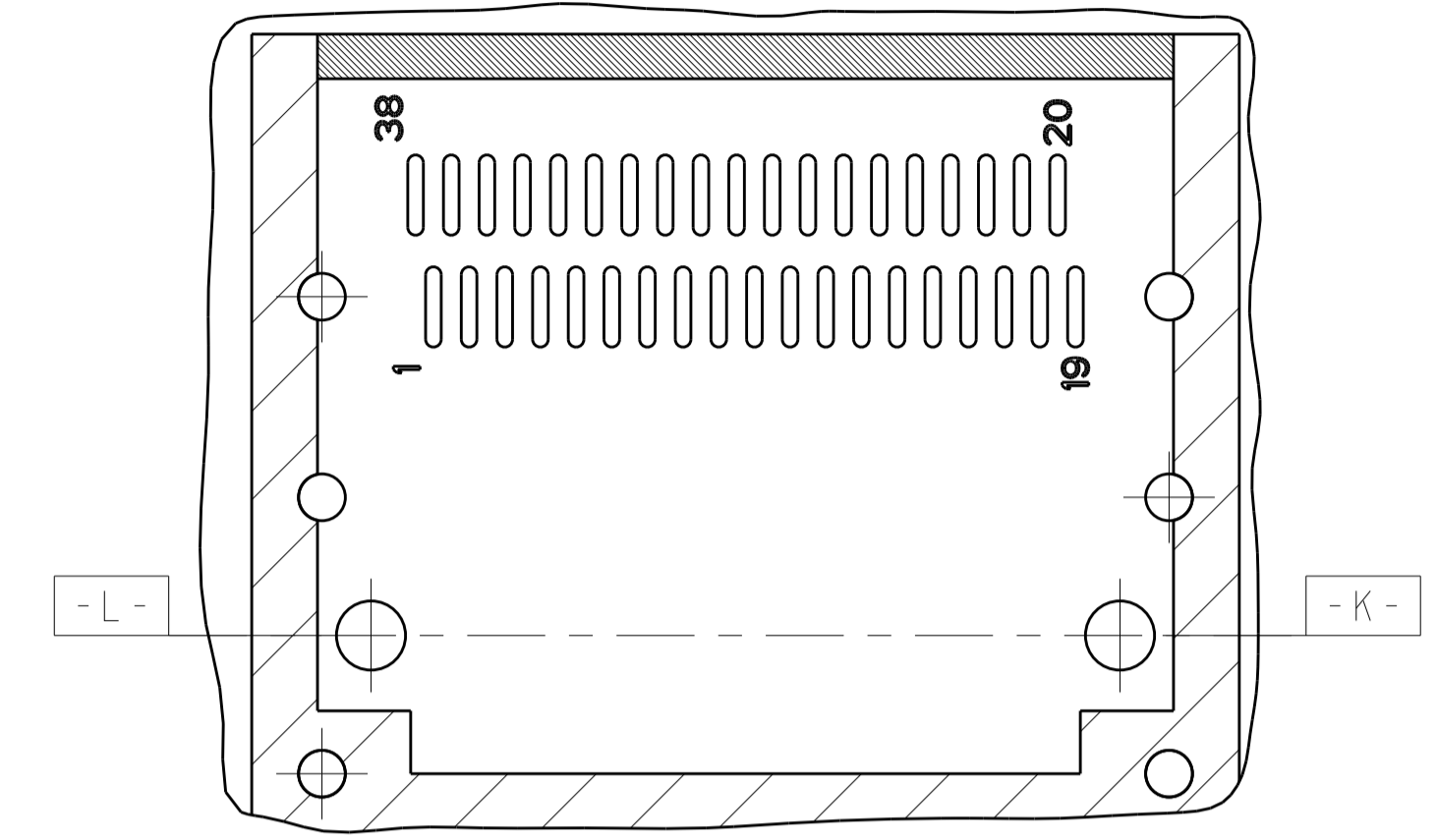
LOC	DIST	REV	DATE	BY	APPV
		1			



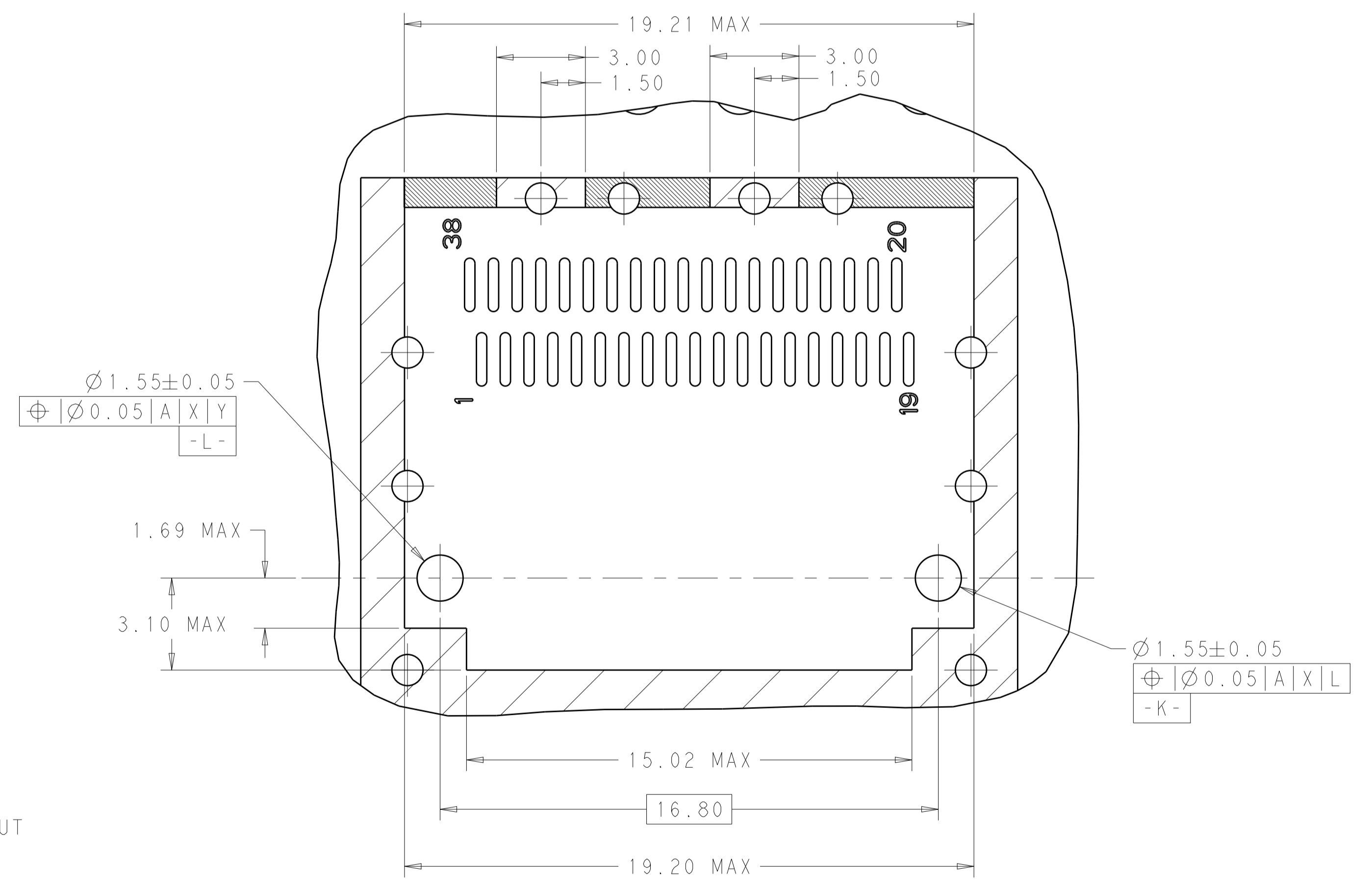
RECOMMENDED PCB LAYOUT
 BELLY TO BELLY TYPE OF 2 REAR HOLES OF LEGS
 PCB TOLERANCE: ±0.05
 SCALE 6:1



RECOMMENDED PCB LAYOUT
 BELLY TO BELLY TYPE OF 1 REAR HOLES OF LEGS
 PCB TOLERANCE: ±0.05
 SCALE 6:1



RECOMMENDED PCB LAYOUT
 BELLY TO BELLY TYPE OF 0 REAR HOLES OF LEGS
 PCB TOLERANCE: ±0.05
 SCALE 6:1



DETAIL C
 SCALE 8:1

24X Ø1.05±0.05
 COMPLIANT PIN HOLE
 Ø0.10 A K L

Ø1.55±0.05
 Ø0.05 A X Y
 -L-

Ø1.55±0.05
 Ø0.05 A X L
 -K-

THIS DRAWING IS A CONTROLLED DOCUMENT.		DWN: JASON YANG 07MAR2014 CHK: SEAN HAN 26JAN2016 APVD: 07MAR2014	TE Connectivity
DIMENSIONS: mm 	TOLERANCES UNLESS OTHERWISE SPECIFIED: 0 PLC ±0.25 1 PLC ±0.25 2 PLC ±0.25 3 PLC ±0.25 4 PLC ±0.100 ANGLES ±°	NAME: CAGE ASSEMBLY, QSPF28, THRU BEZEL WITH EMI SPRING FINGER HEAT SINK, LIGHT PIPE PRODUCT SPEC: 108-19428 APPLICATION SPEC: 114-32023 WEIGHT: - CUSTOMER DRAWING	