



Chipsmall Limited consists of a professional team with an average of over 10 year of expertise in the distribution of electronic components. Based in Hongkong, we have already established firm and mutual-benefit business relationships with customers from,Europe,America and south Asia,supplying obsolete and hard-to-find components to meet their specific needs.

With the principle of “Quality Parts,Customers Priority,Honest Operation,and Considerate Service”,our business mainly focus on the distribution of electronic components. Line cards we deal with include Microchip,ALPS,ROHM,Xilinx,Pulse,ON,Everlight and Freescale. Main products comprise IC,Modules,Potentiometer,IC Socket,Relay,Connector.Our parts cover such applications as commercial,industrial, and automotives areas.

We are looking forward to setting up business relationship with you and hope to provide you with the best service and solution. Let us make a better world for our industry!



Contact us

Tel: +86-755-8981 8866 Fax: +86-755-8427 6832

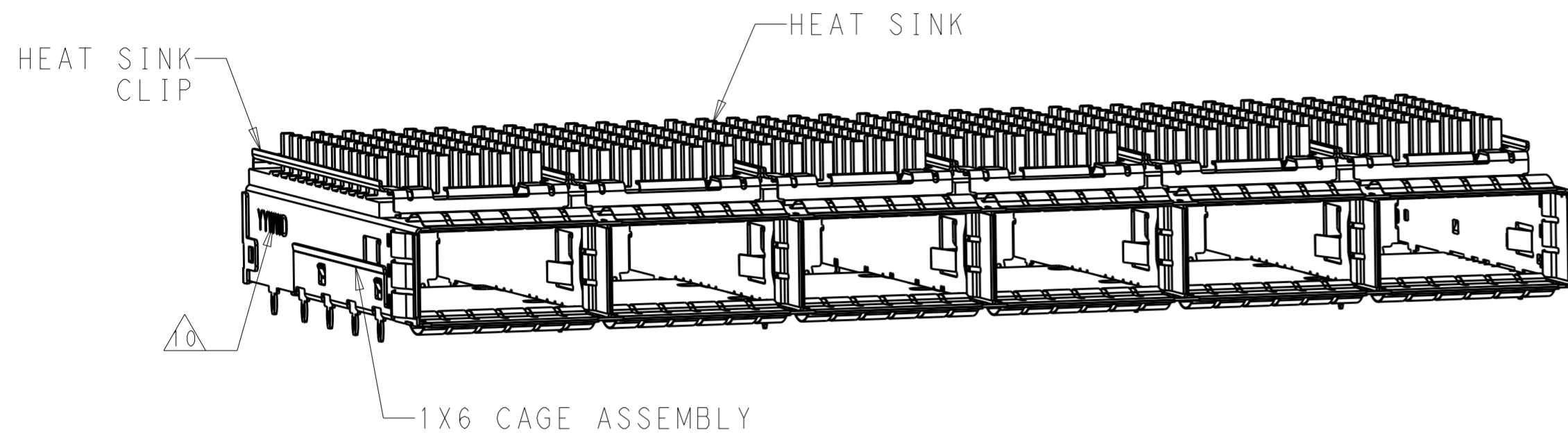
Email & Skype: info@chipsmall.com Web: www.chipsmall.com

Address: A1208, Overseas Decoration Building, #122 Zhenhua RD., Futian, Shenzhen, China

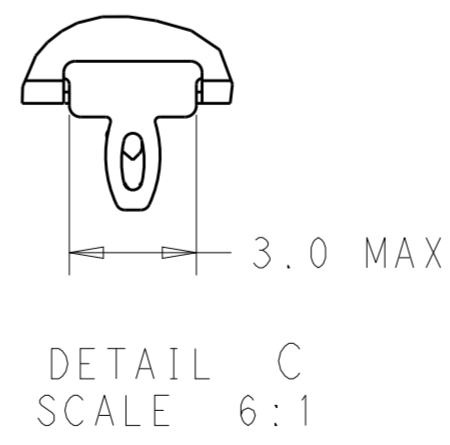
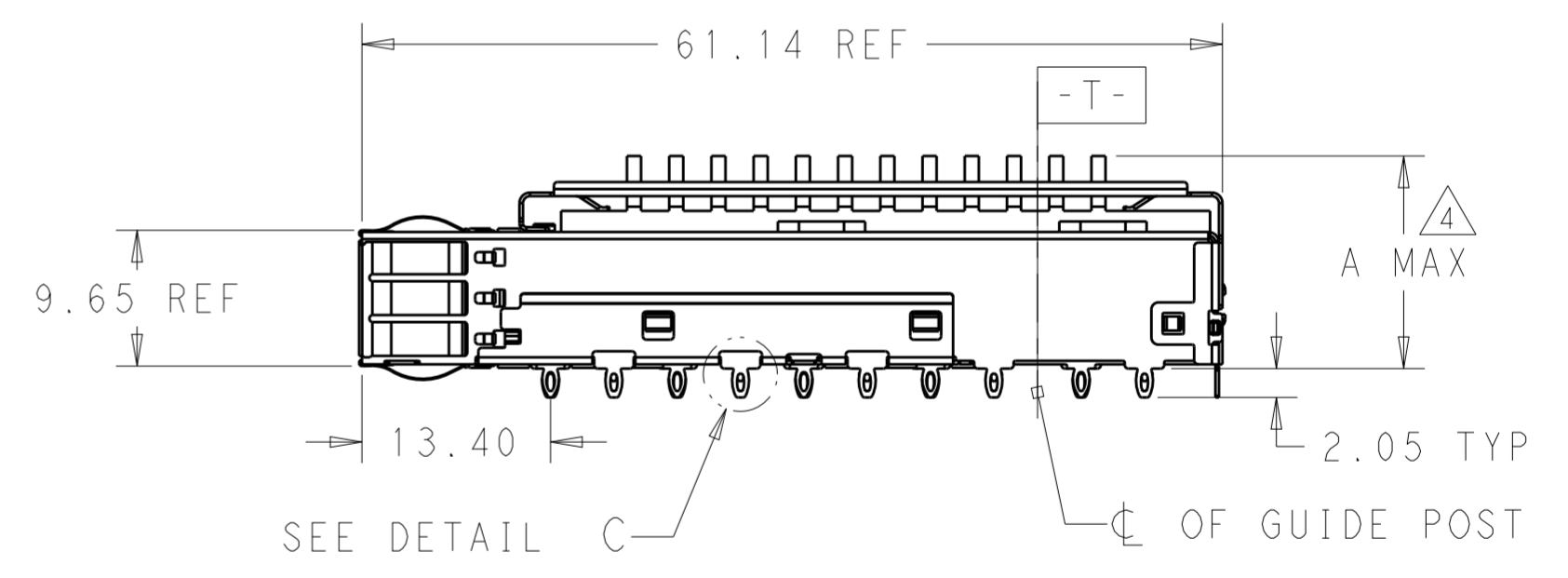
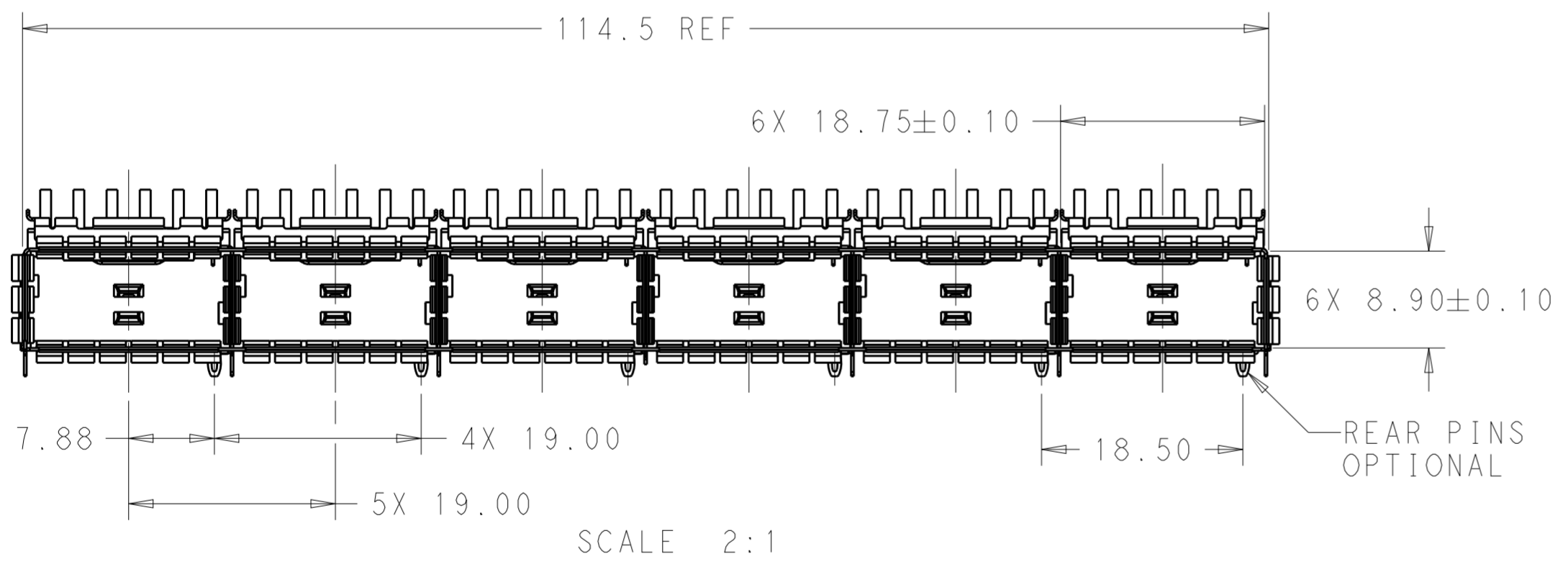


THIS DRAWING IS UNPUBLISHED. RELEASED FOR PUBLICATION 20
 © COPYRIGHT 20 BY - ALL RIGHTS RESERVED.

REVISIONS				
P	LTR	DESCRIPTION	DATE	APVD
A		INITIAL RELEASE	25JAN2016	JY SH



1. COMPONENTS
 CAGE ASSEMBLY: NICKEL-SILVER ALLOY
 HEAT SINK: ALUMINUM/BLACK ANODIZE
 HEAT SINK CLIP: STAINLESS STEEL
 EMI SPRING: COPPER ALLOY/NICKEL PLATE
2. REFERENCE APPLICATION SPECIFICATION 114-32023 FOR RECOMMENDED DRILL HOLE DIAMETER AND PLATING THICKNESS
3. DATUM AND BASIC DIMENSION ESTABLISHED BY CUSTOMER
4. DIMENSION APPLIES WITH MODULE INSERTED IN CAGE
5. HEAT SINKS, HEAT SINK CLIPS AND LIGHT PIPES ARE SHIPPED ASSEMBLED ON CAGE
6. MINIMUM PC BOARD THICKNESS: SINGLE SIDED: 1.57 MIN
 DOUBLE SIDED: 3.00 MIN
7. DATUM -A- IS TOP SURFACE OF THE HOST BOARD.
8. THESE HOLES ARE OPTIONAL WHEN THE REAR PINS ARE REMOVED.
9. MATES WITH QSFP28 MSA COMPATIBLE TRANSCEIVER.
10. DATE CODE (YYWWD) MARKED APPROXIMATELY AS SHOWN.



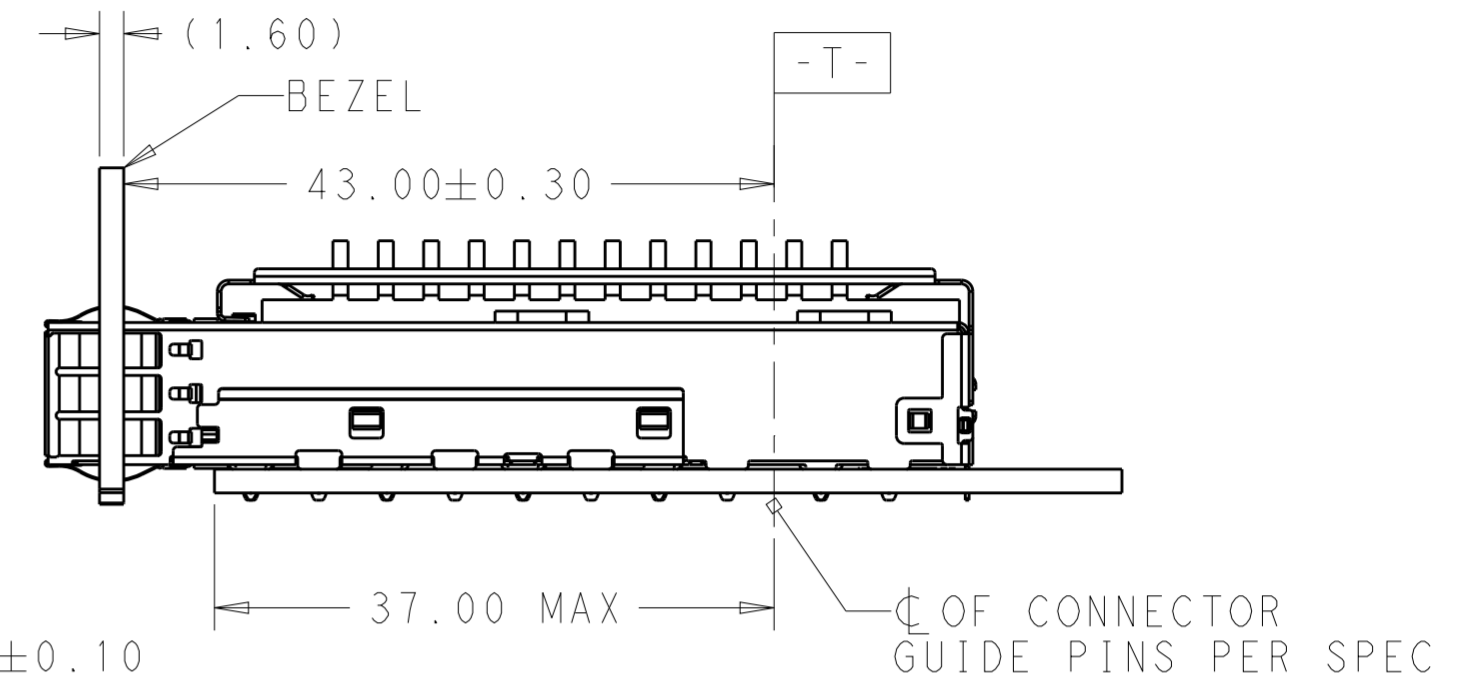
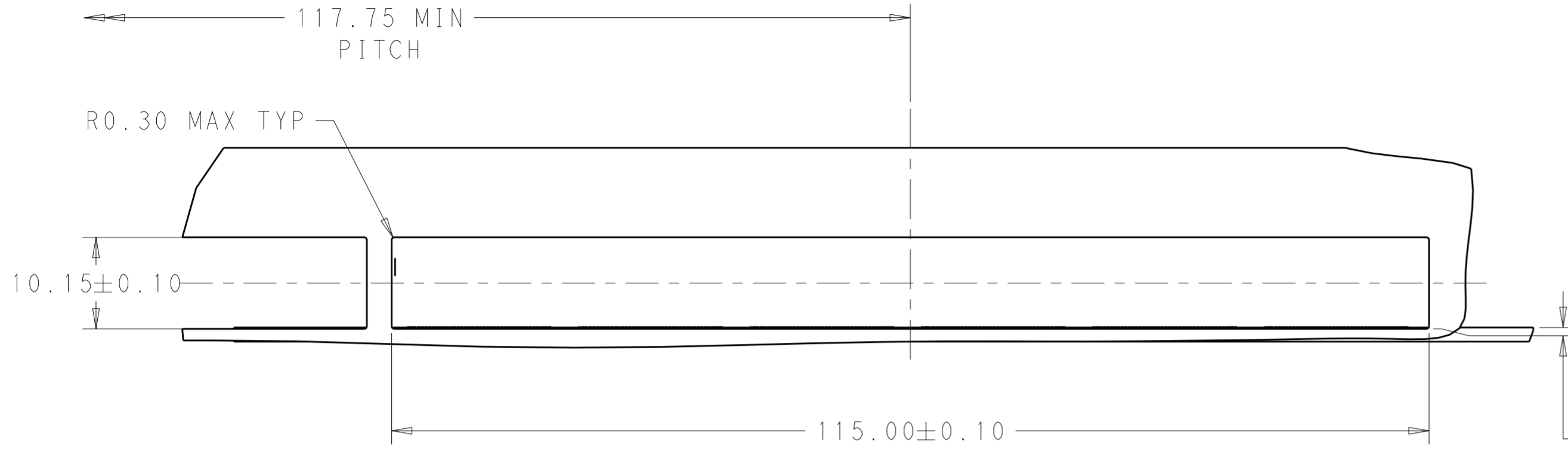
23.0	WITHOUT	NETWORKING	2170707-6
16.0	WITHOUT	SAN	2170707-5
13.7	WITHOUT	PCI	2170707-4
23.0	WITH	NETWORKING	2170707-3
16.0	WITH	SAN	2170707-2
13.7	WITH	PCI	2170707-1
DIM A	REAR PINS OPTIONAL	APPLICATION	PART NUMBER

THIS DRAWING IS A CONTROLLED DOCUMENT.

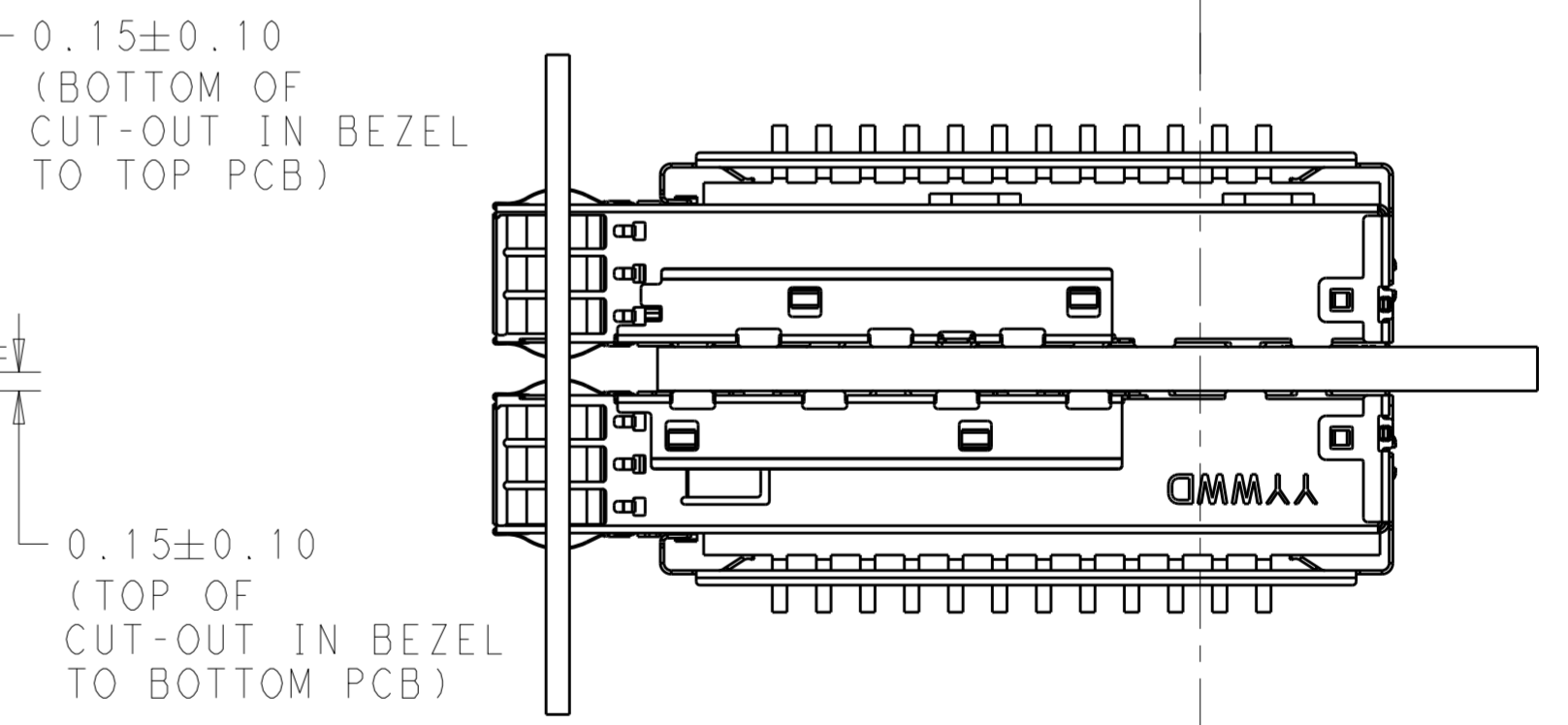
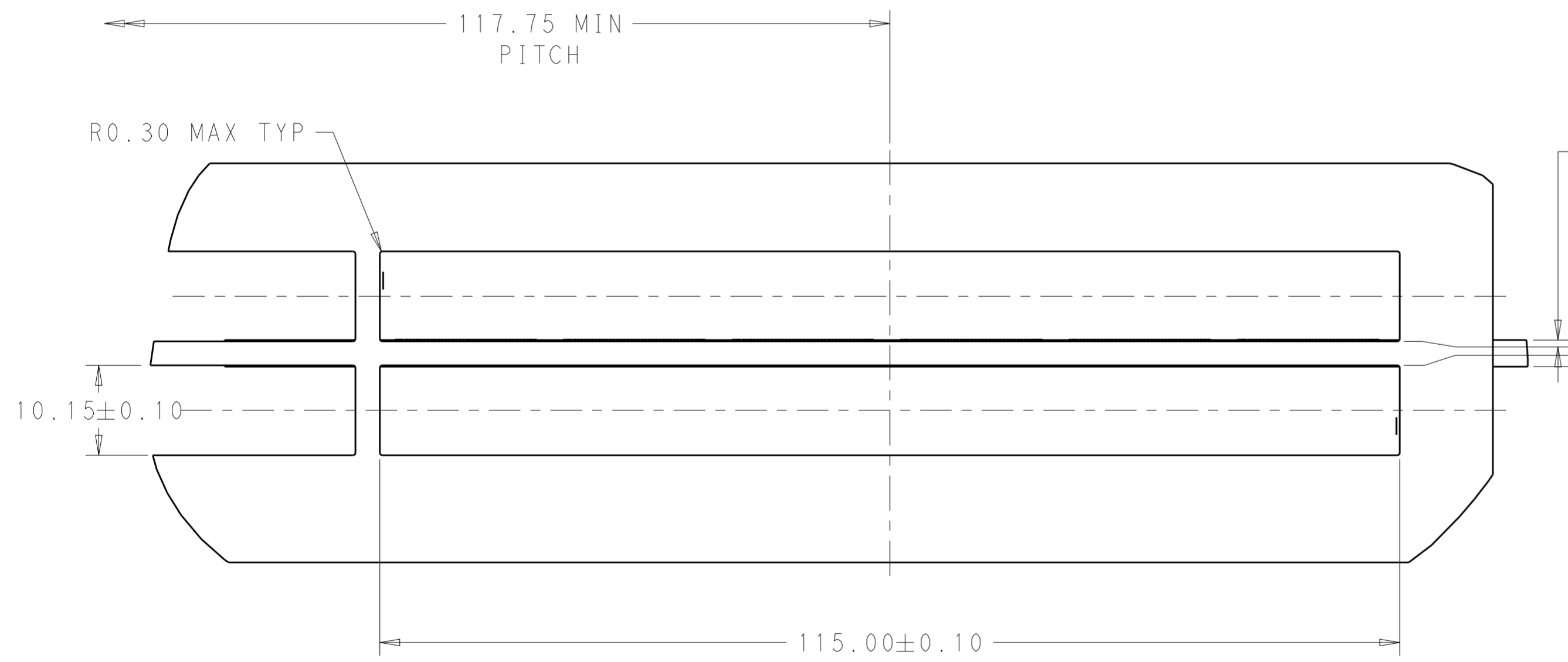
DWN JASON YANG 25FEB2014	TE Connectivity
CHK SEAN HAN 05JAN2016	
APVD -	NAME CAGE ASSEMBLY, 1X6, QSFP28 WITH HEAT SINKS THRU BEZEL, EMI SPRING
DIMENSIONS: mm	PRODUCT SPEC 108-19428
TOLERANCES UNLESS OTHERWISE SPECIFIED:	APPLICATION SPEC 114-32023
0 PLC ±	SIZE A2
1 PLC ±0.25	CAGE CODE 00779
2 PLC ±0.2	DRAWING NO C-2170707
3 PLC ±	RESTRICTED TO -
4 PLC ±	SCALE 3:1
ANGLES ±	SHEET 1 OF 5
FINISH	REV A
MATERIAL SEE NOTES	CUSTOMER DRAWING

THIS DRAWING IS UNPUBLISHED. RELEASED FOR PUBLICATION 20
 © COPYRIGHT 20 BY - ALL RIGHTS RESERVED.

REVISIONS				
P	LTR	DESCRIPTION	DATE	APVD
-		SEE SHEET 1	-	-



SINGLE SIDE MOUNTING
SCALE 2:1

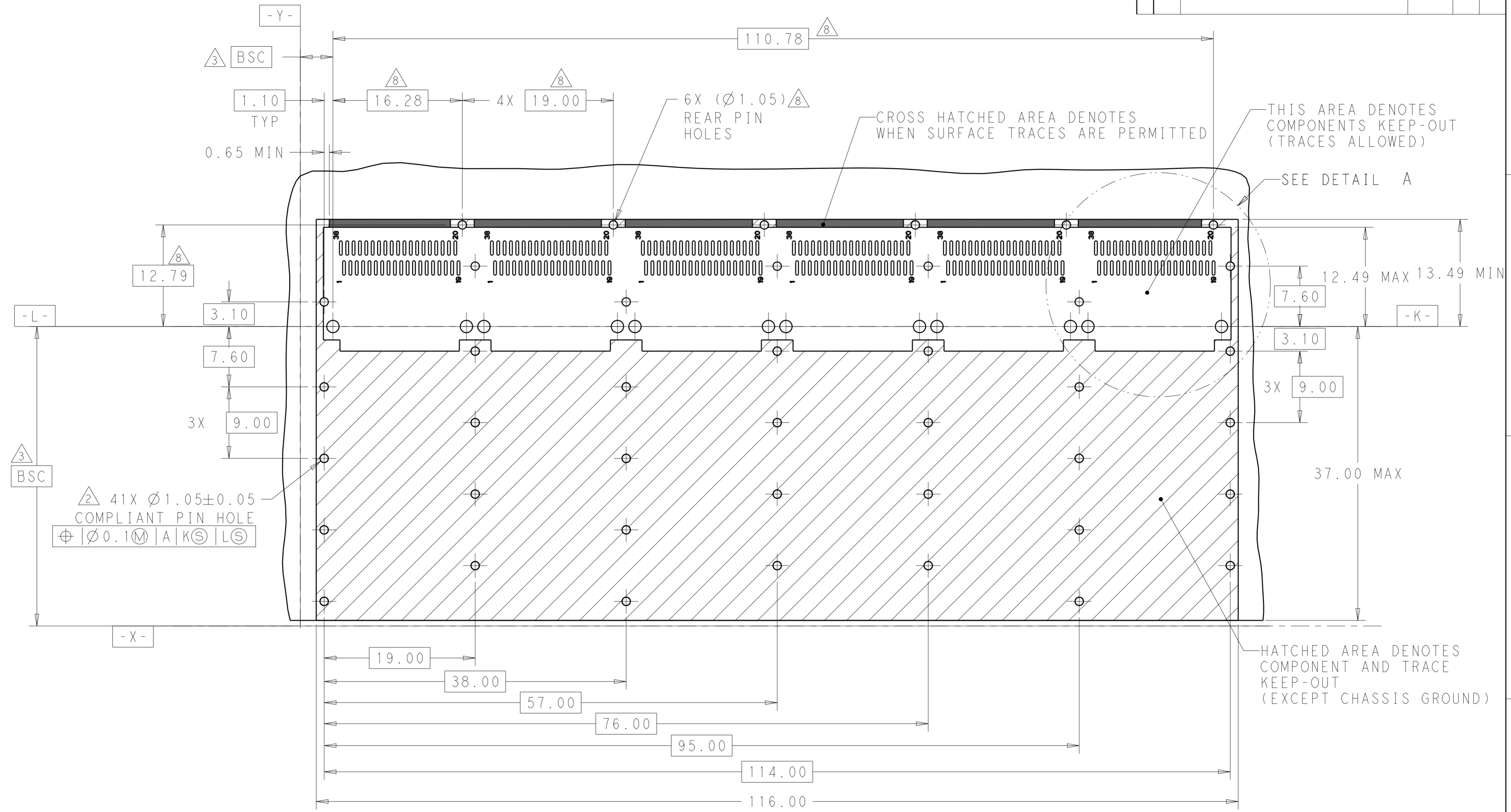


BELLY TO BELLY MOUNTING
SCALE 2:1

THIS DRAWING IS A CONTROLLED DOCUMENT.		DWN 25FEB2014 JASON YANG	TE Connectivity	
		CHK 05JAN2016 SEAN HAN		
DIMENSIONS: mm		APVD -		NAME CAGE ASSEMBLY, 1X6, QSFP28 WITH HEAT SINKS THRU BEZEL, EMI SPRING
TOLERANCES UNLESS OTHERWISE SPECIFIED:		PRODUCT SPEC 108-19428		SIZE CAGE CODE DRAWING NO
0 PLC ±		APPLICATION SPEC 114-32023		A200779 C-2170707
1 PLC ±0.25		WEIGHT -		RESTRICTED TO -
2 PLC ±0.2		CUSTOMER DRAWING		SCALE 3:1 SHEET 1 OF 5 REV A
3 PLC ±				
4 PLC ±				
ANGLES ±				
FINISH				
MATERIAL SEE NOTES				
SEE NOTES				

THIS DRAWING IS UNPUBLISHED. RELEASED FOR PUBLICATION 20
 © COPYRIGHT 20 BY - ALL RIGHTS RESERVED.

REVISIONS				
P	LTR	DESCRIPTION	DATE	APVD
-	-	SEE SHEET 1	-	-

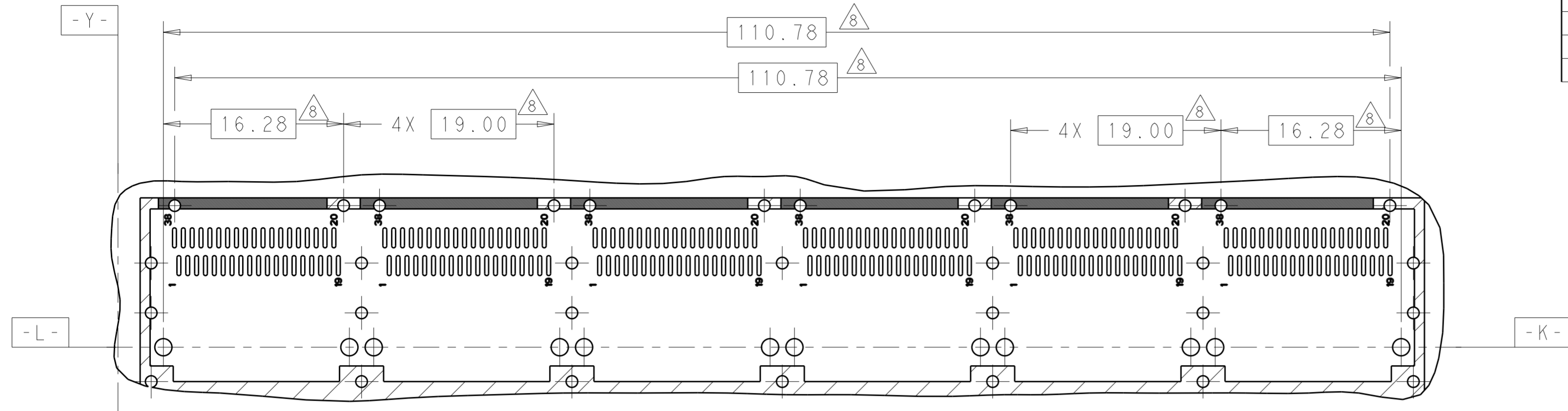


RECOMMENDED PCB LAYOUT
 SINGLE TYPE
 PCB TOLERANCE: ±0.05
 SCALE 3:1

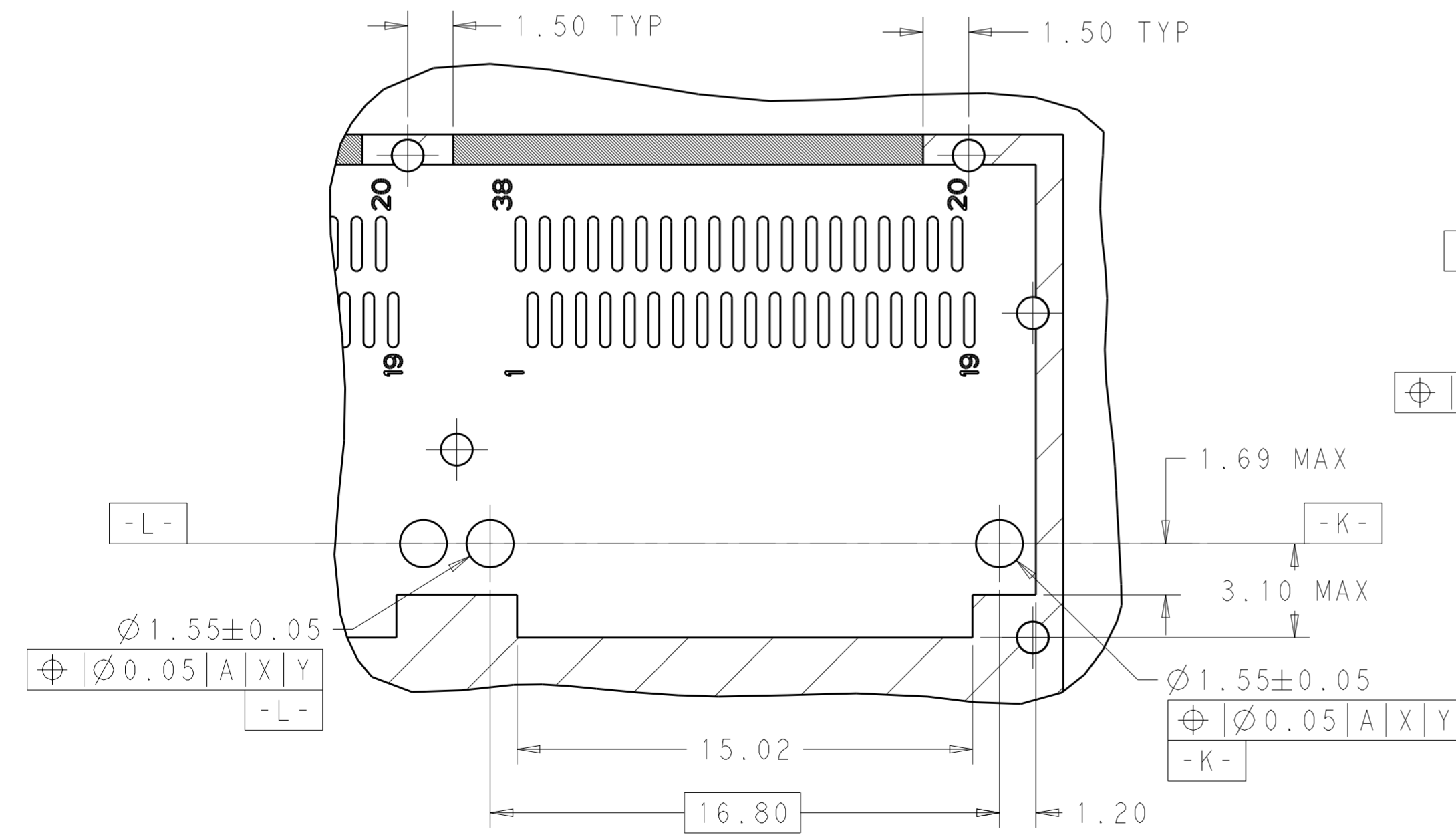
THIS DRAWING IS A CONTROLLED DOCUMENT.		DWN 25FEB2014 JASON YANG	TE Connectivity	
		CHK 05JAN2016 SEAN HAN		
DIMENSIONS: mm		APVD -	NAME CAGE ASSEMBLY, 1X6, QSFP28 WITH HEAT SINKS THRU BEZEL, EMI SPRING	
TOLERANCES UNLESS OTHERWISE SPECIFIED:		PRODUCT SPEC 108-19428	SIZE A2	
0 PLC ±		APPLICATION SPEC 114-32023	CAGE CODE 00779	
1 PLC ±0.25		WEIGHT -	DRAWING NO C-2170707	
2 PLC ±0.2		CUSTOMER DRAWING	RESTRICTED TO -	
3 PLC ±		SCALE 3:1	SHEET 1 OF 5	
4 PLC ±			REV A	
ANGLES ±				
FINISH				
MATERIAL SEE NOTES				
TOLERANCES UNLESS OTHERWISE SPECIFIED:				
0 PLC ±				
1 PLC ±0.25				
2 PLC ±0.2				
3 PLC ±				
4 PLC ±				
ANGLES ±				
FINISH				

THIS DRAWING IS UNPUBLISHED. RELEASED FOR PUBLICATION 20
 © COPYRIGHT 20 BY - ALL RIGHTS RESERVED.

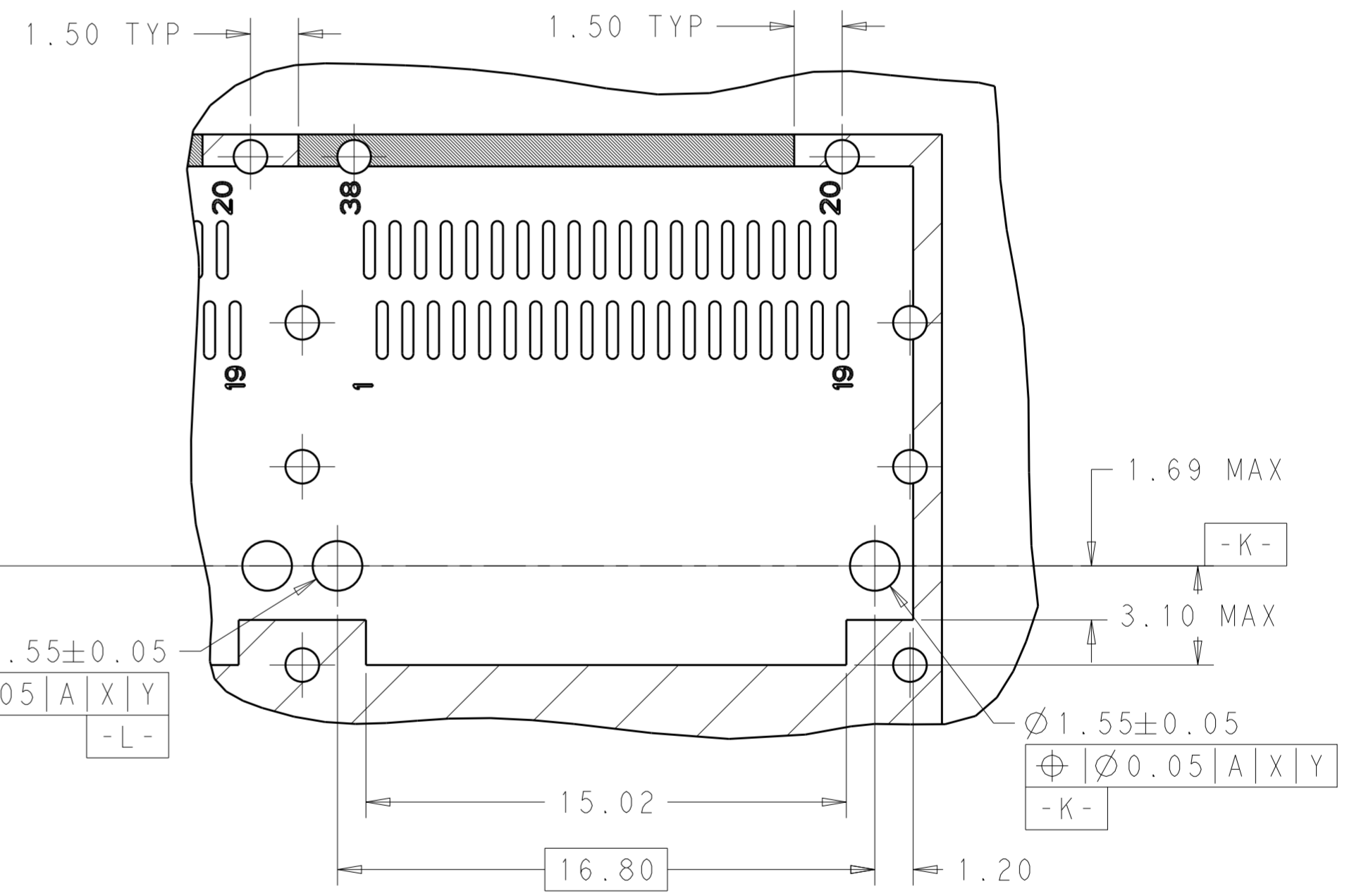
REVISIONS				
P	LTR	DESCRIPTION	DATE	APVD
-	-	SEE SHEET 1	-	-




DETAIL D
SCALE 3:1



DETAIL A
SCALE 6:1



DETAIL B
SCALE 6:1

THIS DRAWING IS A CONTROLLED DOCUMENT.		DWN JASON YANG 25FEB2014	 TE Connectivity
		CHK SEAN HAN 05JAN2016	
DIMENSIONS:	TOLERANCES UNLESS OTHERWISE SPECIFIED:	APVD -	NAME
mm	0 PLC ± 1 PLC ±0.25 2 PLC ±0.2 3 PLC ± 4 PLC ±	PRODUCT SPEC	CAGE ASSEMBLY, 1X6, QSFP28 WITH HEAT SINKS THRU BEZEL, EMI SPRING
	ANGLES ±	APPLICATION SPEC	SIZE CAGE CODE DRAWING NO
MATERIAL	FINISH	114-32023	A200779C-2170707
SEE NOTES	SEE NOTES	WEIGHT -	RESTRICTED TO
		CUSTOMER DRAWING	SCALE 3:1 SHEET 1 OF 5 REV A