



Chipsmall Limited consists of a professional team with an average of over 10 year of expertise in the distribution of electronic components. Based in Hongkong, we have already established firm and mutual-benefit business relationships with customers from,Europe,America and south Asia,supplying obsolete and hard-to-find components to meet their specific needs.

With the principle of “Quality Parts,Customers Priority,Honest Operation,and Considerate Service”,our business mainly focus on the distribution of electronic components. Line cards we deal with include Microchip,ALPS,ROHM,Xilinx,Pulse,ON,Everlight and Freescale. Main products comprise IC,Modules,Potentiometer,IC Socket,Relay,Connector.Our parts cover such applications as commercial,industrial, and automotives areas.

We are looking forward to setting up business relationship with you and hope to provide you with the best service and solution. Let us make a better world for our industry!



Contact us

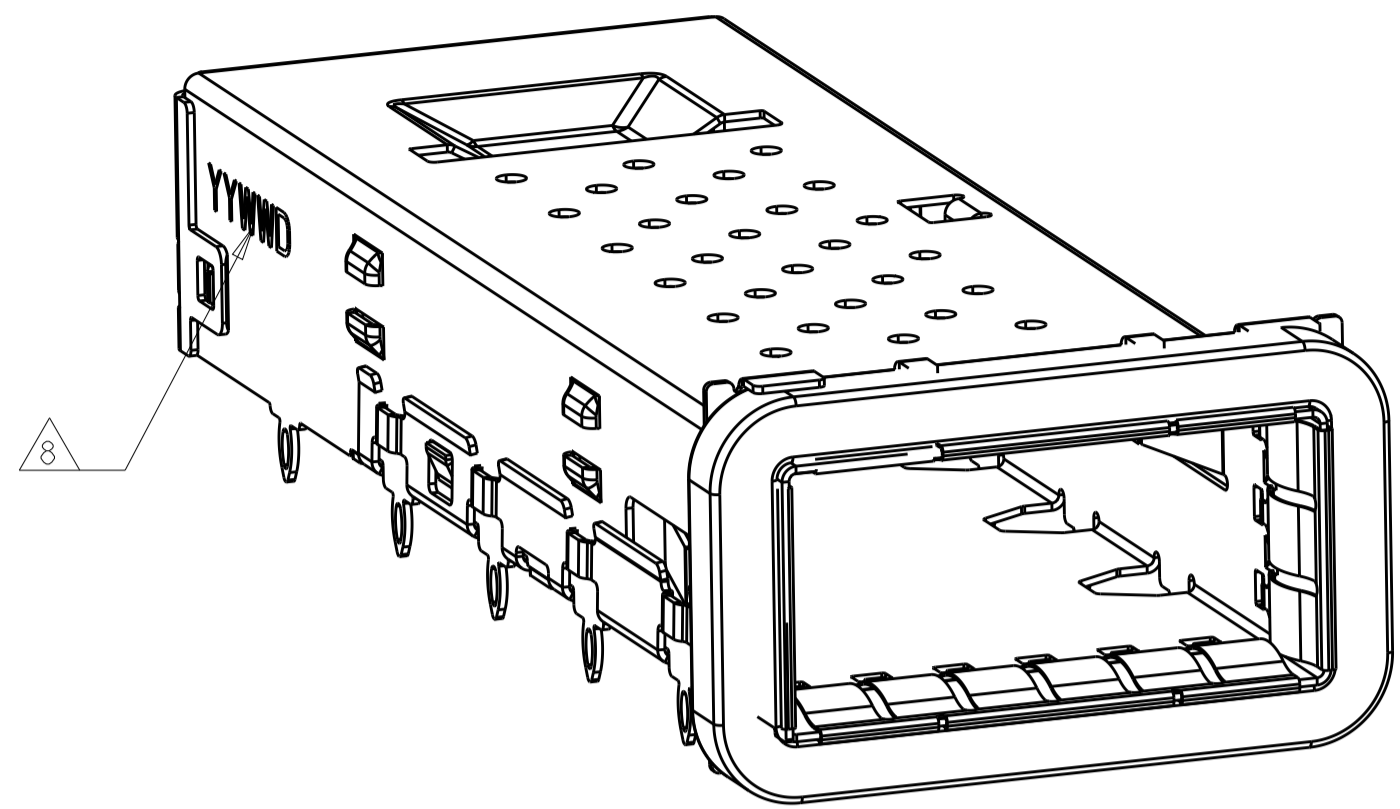
Tel: +86-755-8981 8866 Fax: +86-755-8427 6832

Email & Skype: info@chipsmall.com Web: www.chipsmall.com

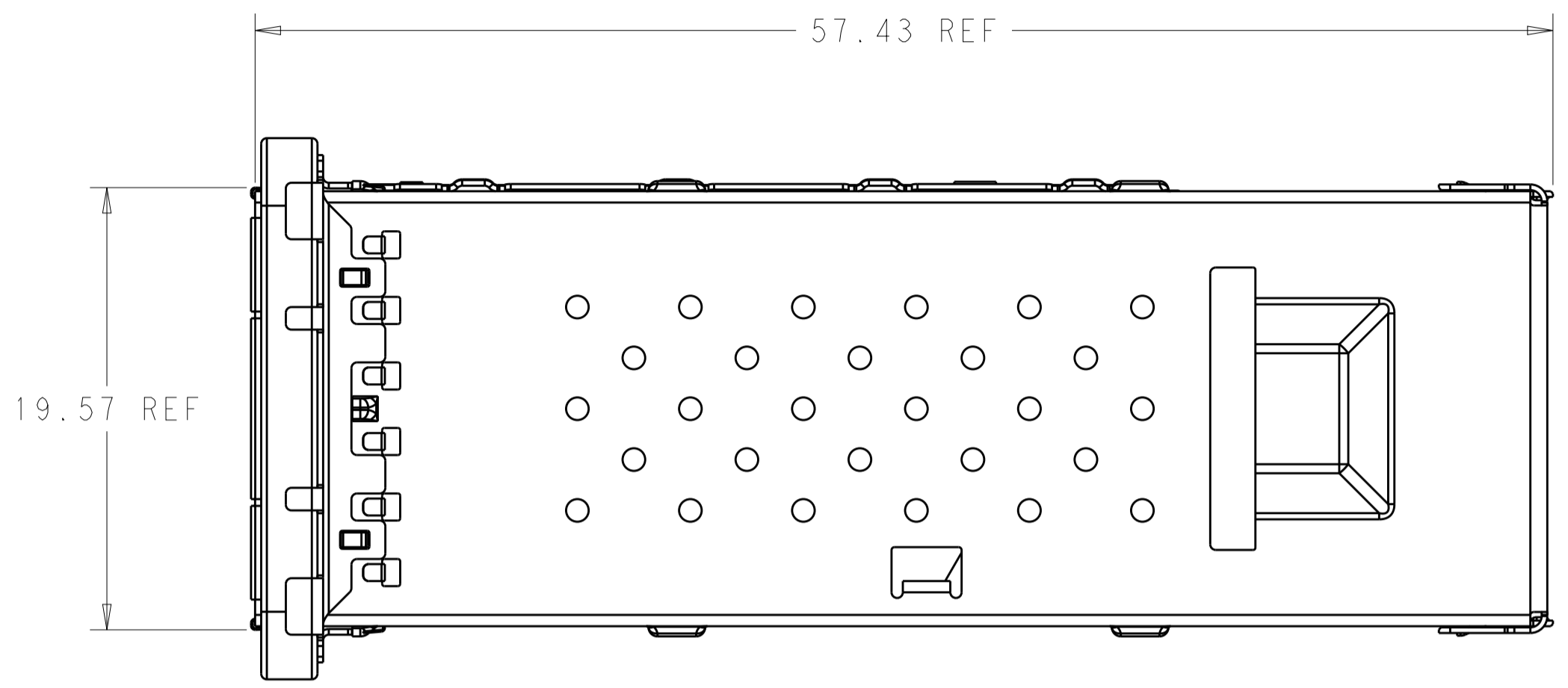
Address: A1208, Overseas Decoration Building, #122 Zhenhua RD., Futian, Shenzhen, China



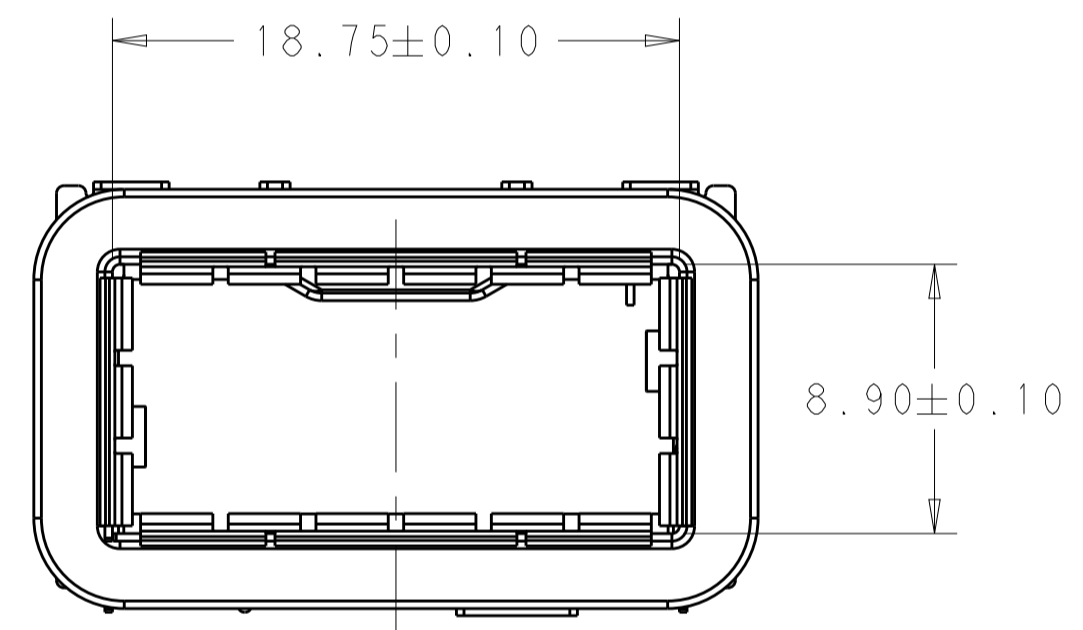
| LOC | | DIST | | REVISIONS | | | |
|-----|-----|-------------|-----------|-----------|------|--|--|
| P | LTN | DESCRIPTION | DATE | DWN | APVD | | |
| A | | RELEASE | 30DEC2015 | JY | SH | | |



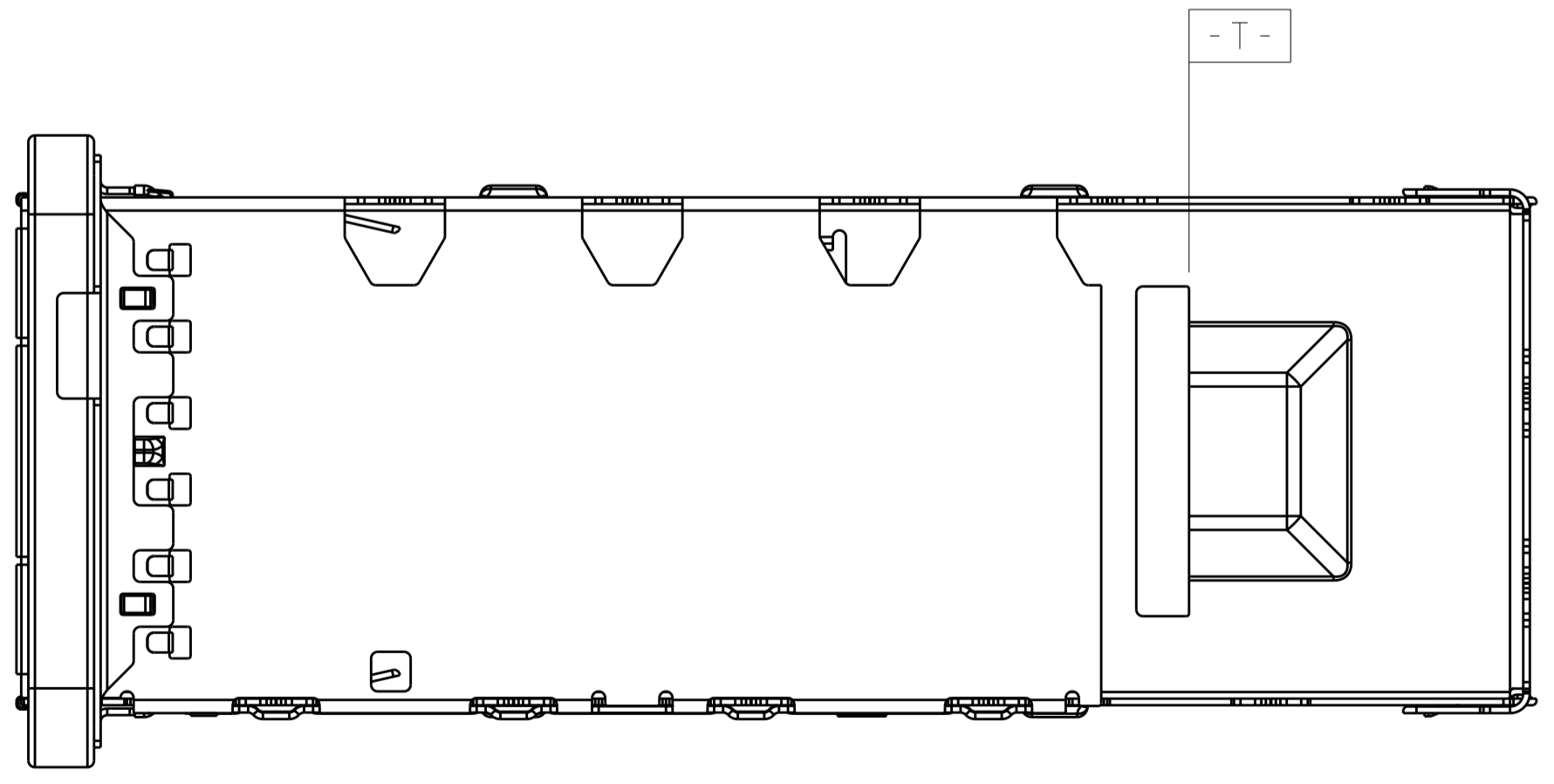
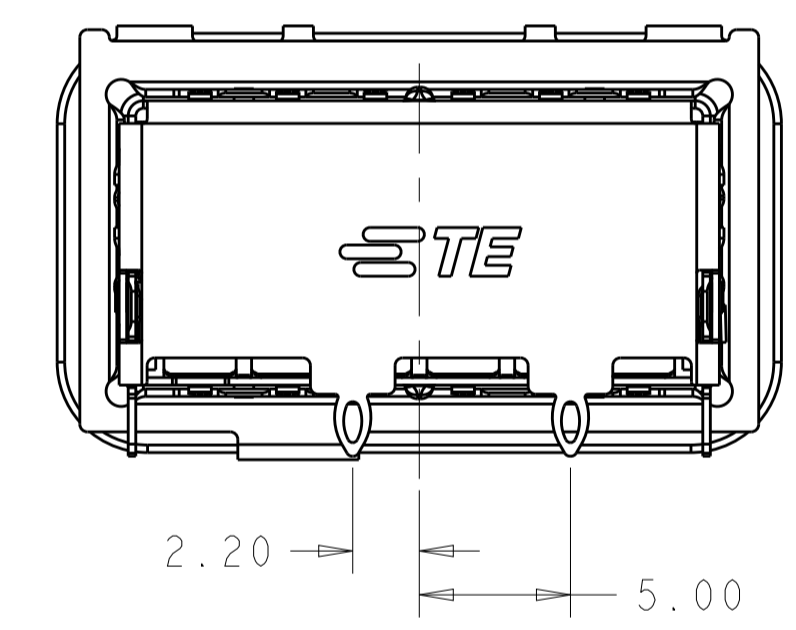
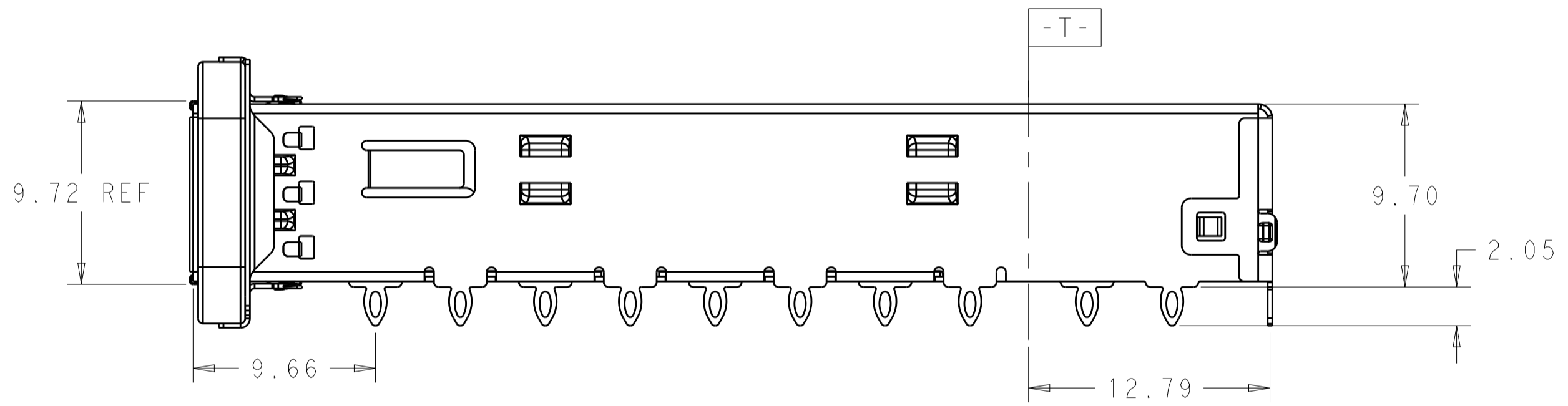
SCALE 4:1



- MATERIAL:
 CAGE MATERIAL : 0.25 THICK NICKEL SILVER.
 SPRING MATERIAL: COPPER ALLOY
 EMI GASKET: PLATED FILLED SILICONE
 - FINISH:
 SPRING: NICKEL PLATING
 - MATES WITH QSFP28 MSA COMPATIBLE TRANSCEIVER.
- ⚠ REFERENCE APPLICATION SPEC 114-32023 FOR RECOMMENDED DRILL HOLE DIAMETER AND PLATING THICKNESS.
 - ⚠ DATUM AND BASIC DIMENSIONS ESTABLISHED BY CUSTOMERS.
- MINIMUM PC BOARD THICKNESS :
 SINGLES SIDED: 1.57 MIN
 DOUBLE SIDED: 3.00 MIN
- ⚠ DATUM **-A-** IS TOP SURFACE OF THE HOST BOARD.
 - ⚠ DATE CODE (YYWW) MARKED APPROXIMATELY AS SHOWN



SCALE 4:1



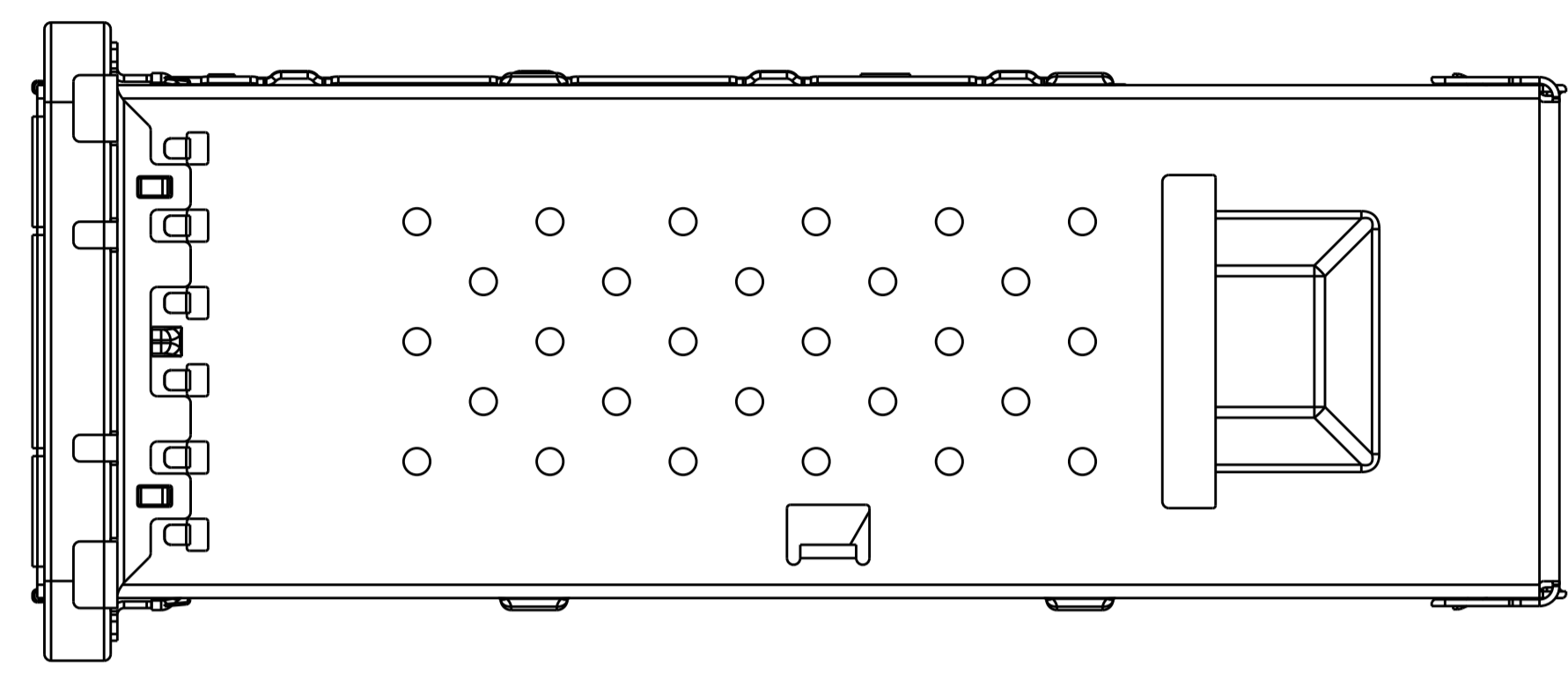
| | | |
|----------------------------|---------|-------------|
| 0 | WITH | 2170752-7 |
| 1 | WITH | 2170752-6 |
| 0 | WITHOUT | 2170752-5 |
| 1 | WITHOUT | 2170752-4 |
| 2 | WITH | 2170752-2 |
| 2 | WITHOUT | 2170752-1 |
| # REAR PINS HEAT SINK OPEN | | PART NUMBER |

2170752-1 AS SHOWN

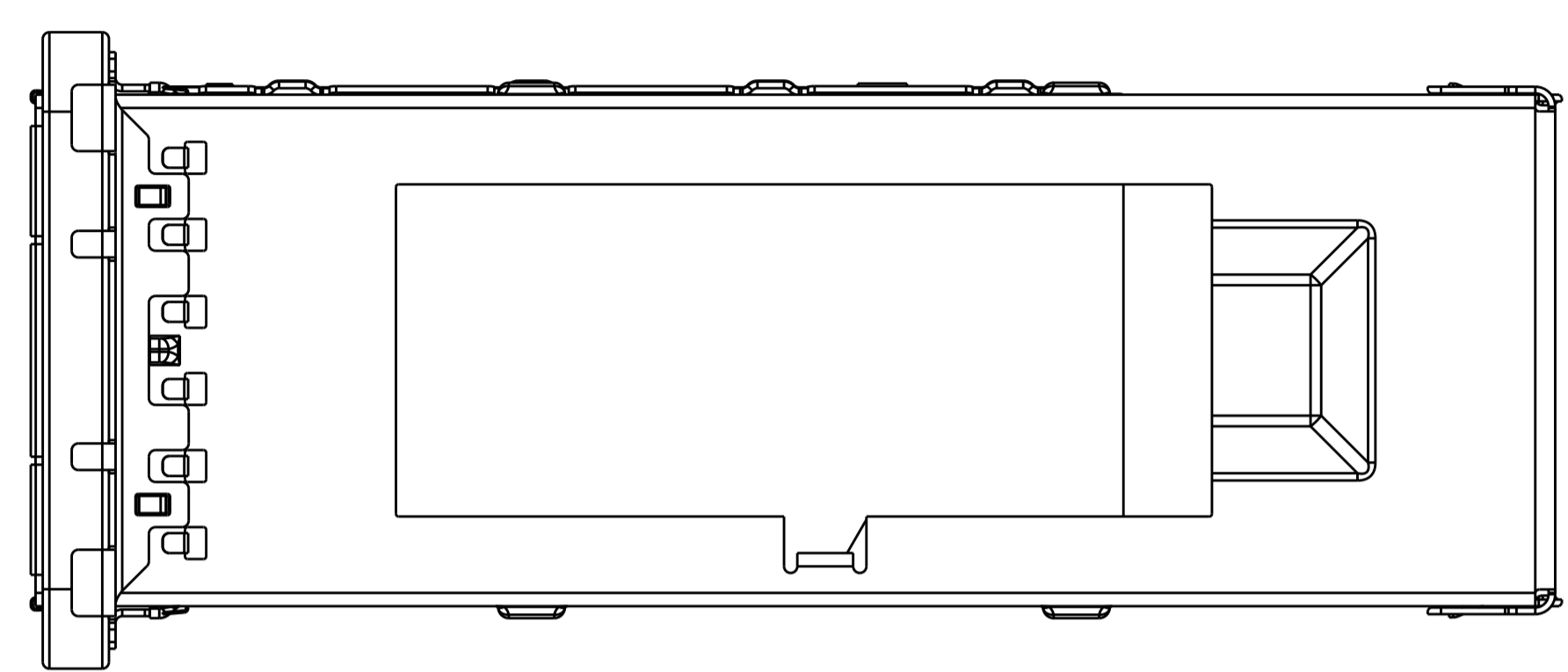
| | | | | |
|--|--|---------------------------|-----------------------------|---|
| THIS DRAWING IS A CONTROLLED DOCUMENT. | | DWN: JASON YANG 01APR2014 | TE Connectivity | |
| | | CHK: SEAN HAN 30DEC2015 | | |
| DIMENSIONS: | TOLERANCES UNLESS OTHERWISE SPECIFIED: | APVD: | NAME: | CAGE ASSEMBLY, QSFP28 1X1, THRU BEZEL WITH EMI GASKET |
| mm | 0 PLC ±0.25 1 PLC ±0.25 2 PLC ±0.25 3 PLC ±0.100 4 PLC ± | PRODUCT SPEC: 108-19428 | APPLICATION SPEC: 114-32023 | |
| MATERIAL: | FINISH: | WEIGHT: | SIZE: A100779 | RESTRICTED TO: C=2170752 |
| CUSTOMER DRAWING | | | SCALE: 4:1 | SHEET 1 OF 5 REV A |

| LOC | DIST | REVISIONS | | | |
|-----|------|-------------|------|-----|------|
| P | LTN | DESCRIPTION | DATE | DMN | APVD |
| - | - | SEE SHEET 1 | - | - | - |
| | | | | | |
| | | | | | |

HEAT SINK OPEN OPTIONS

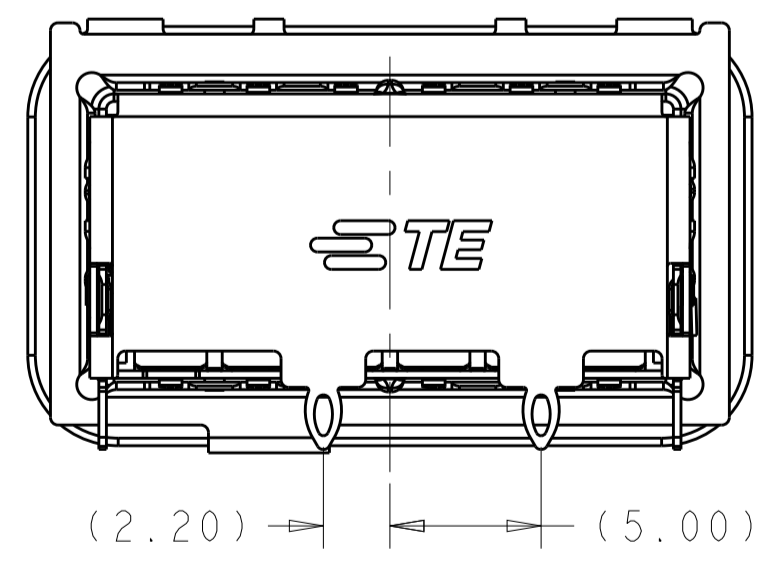


WITHOUT HEAT SINK OPEN
SCALE 4:1

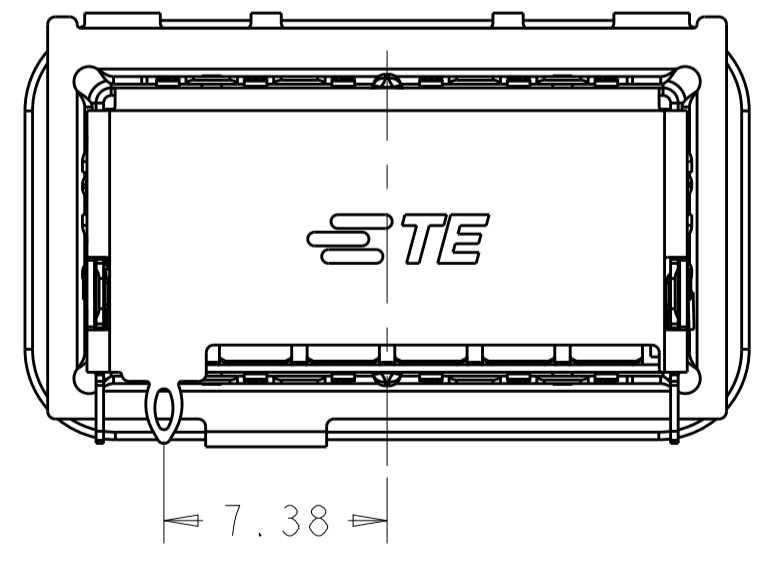


WITH HEAT SINK OPEN
SCALE 4:1

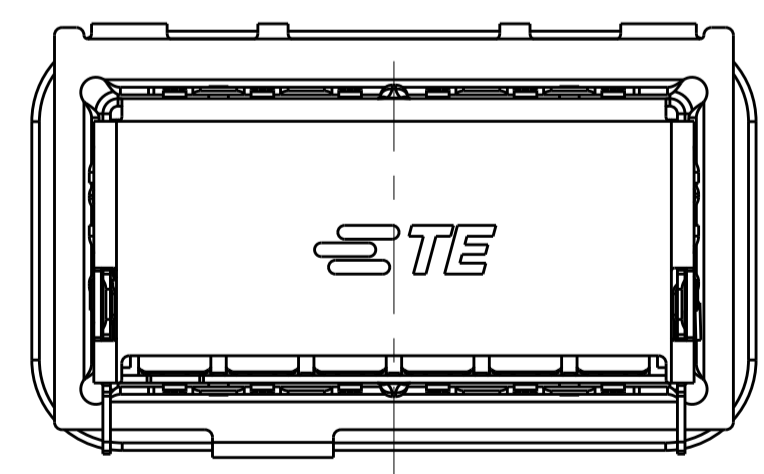
OF REAR LEGS OPTIONS



2 REAR LEGS VERSION
SCALE 4:1



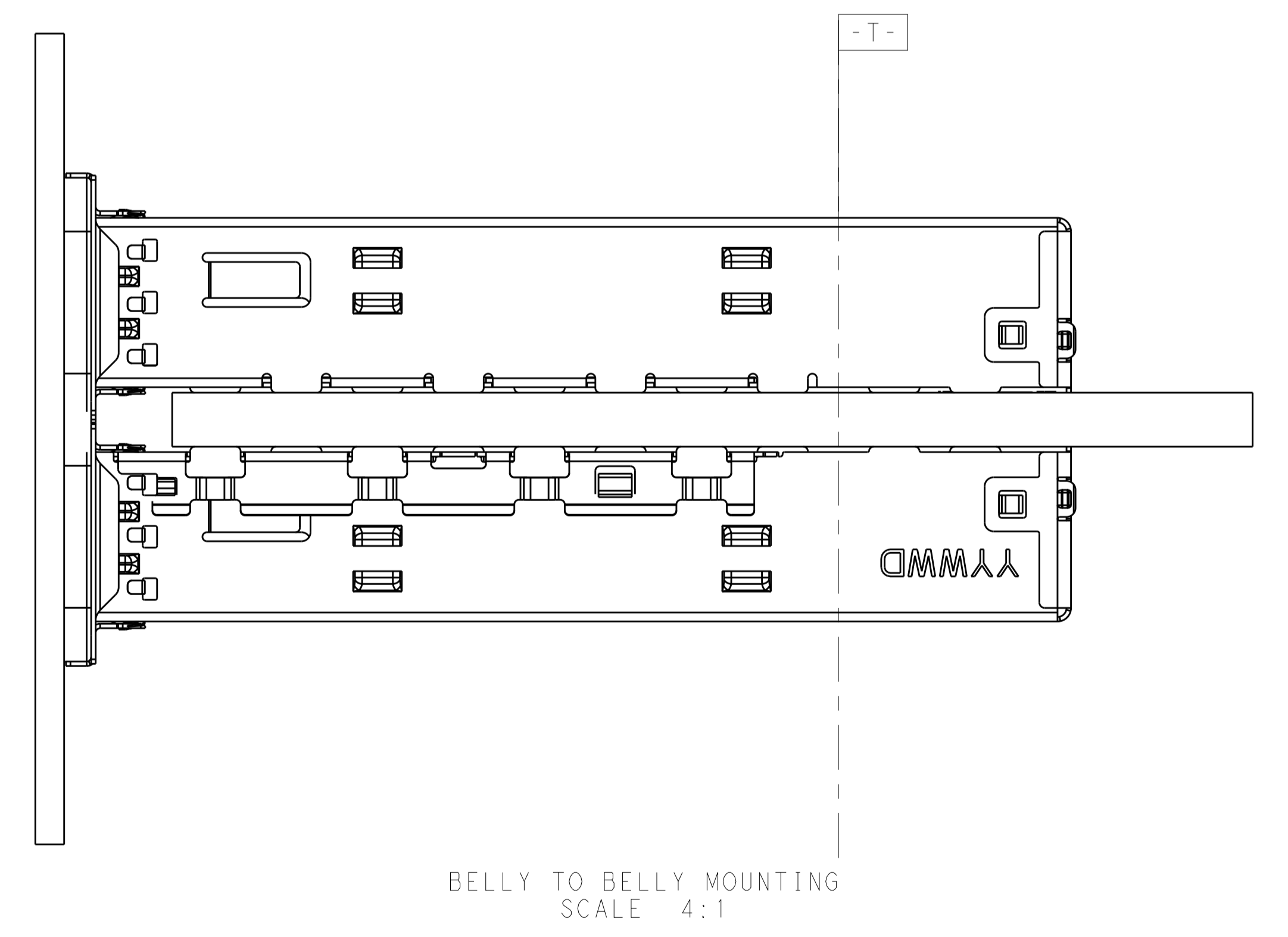
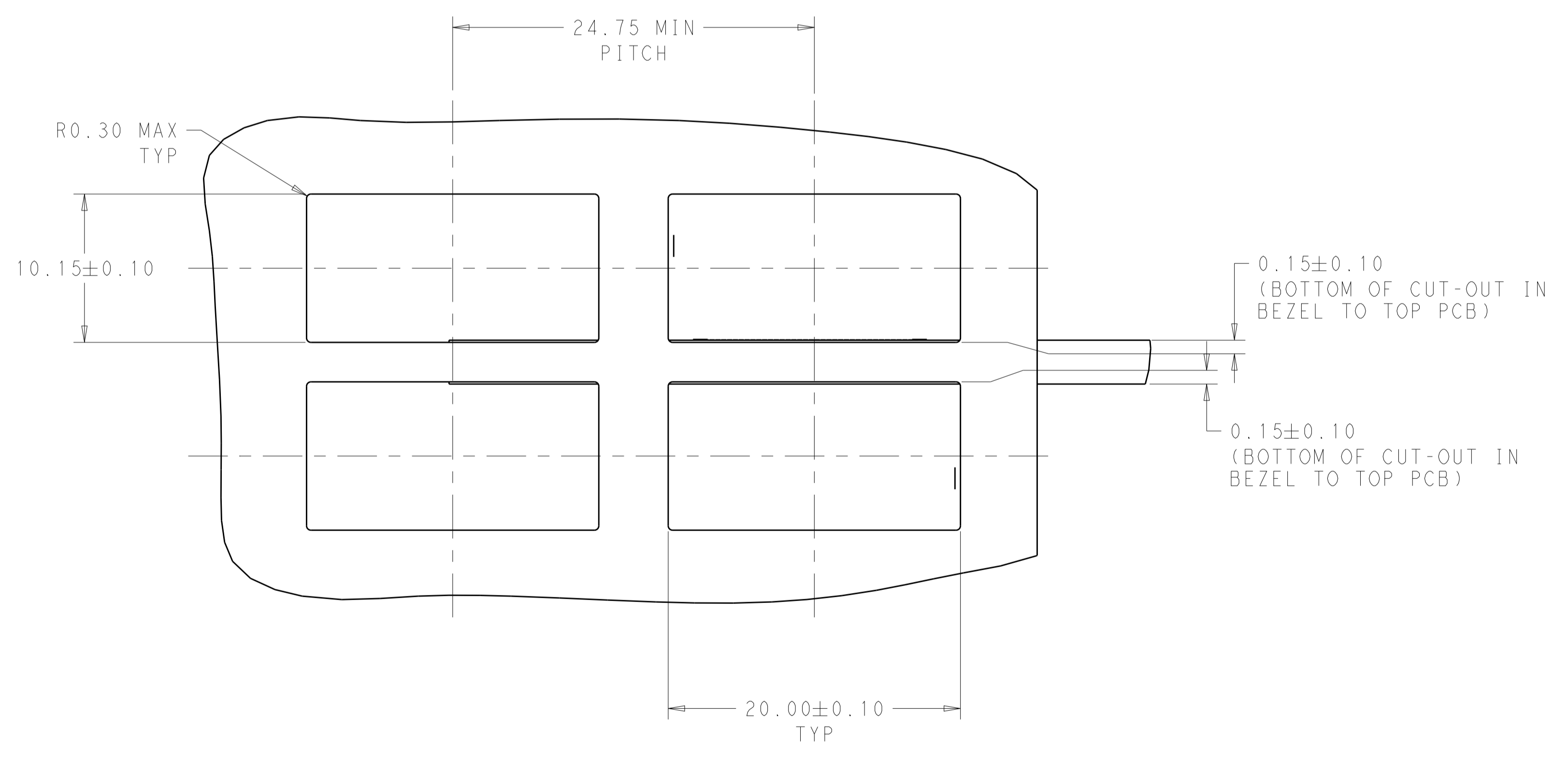
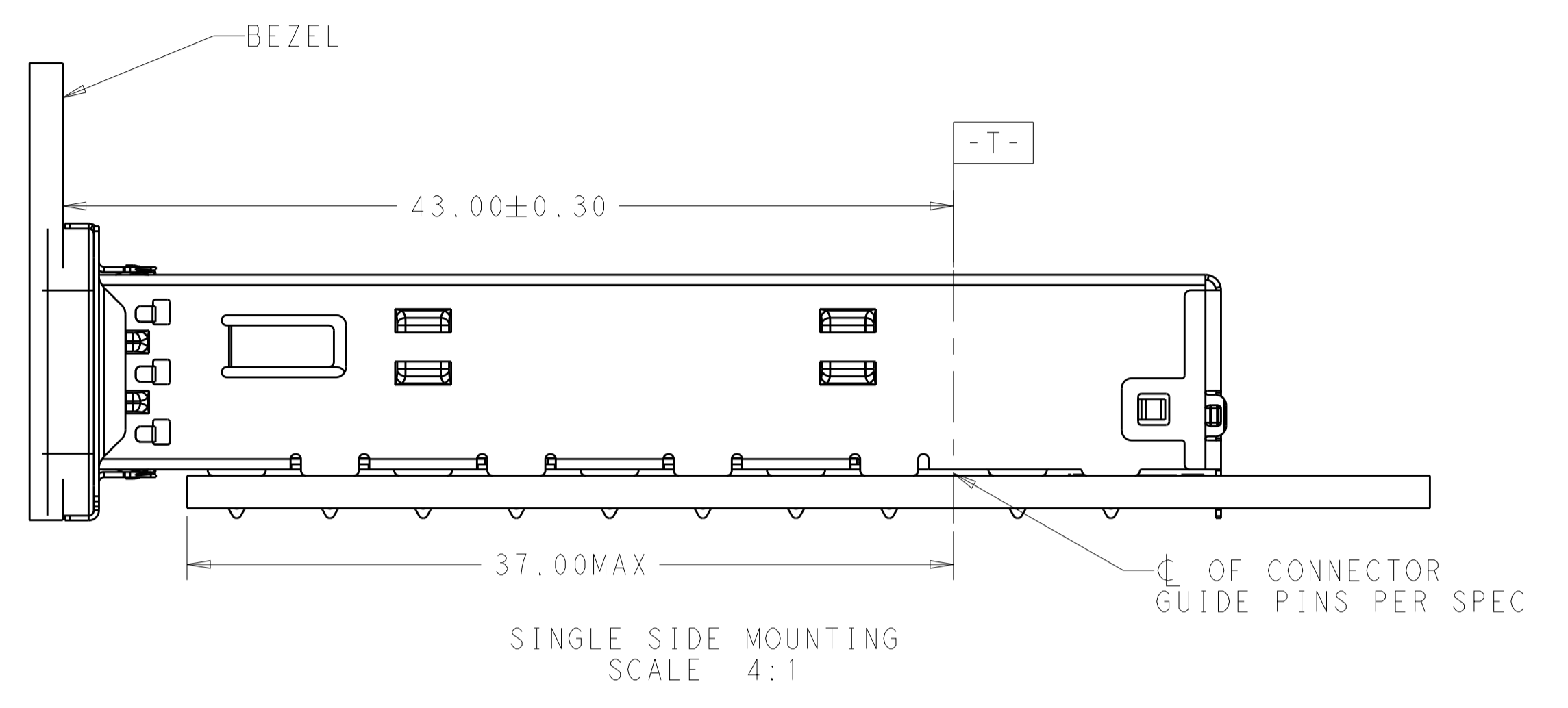
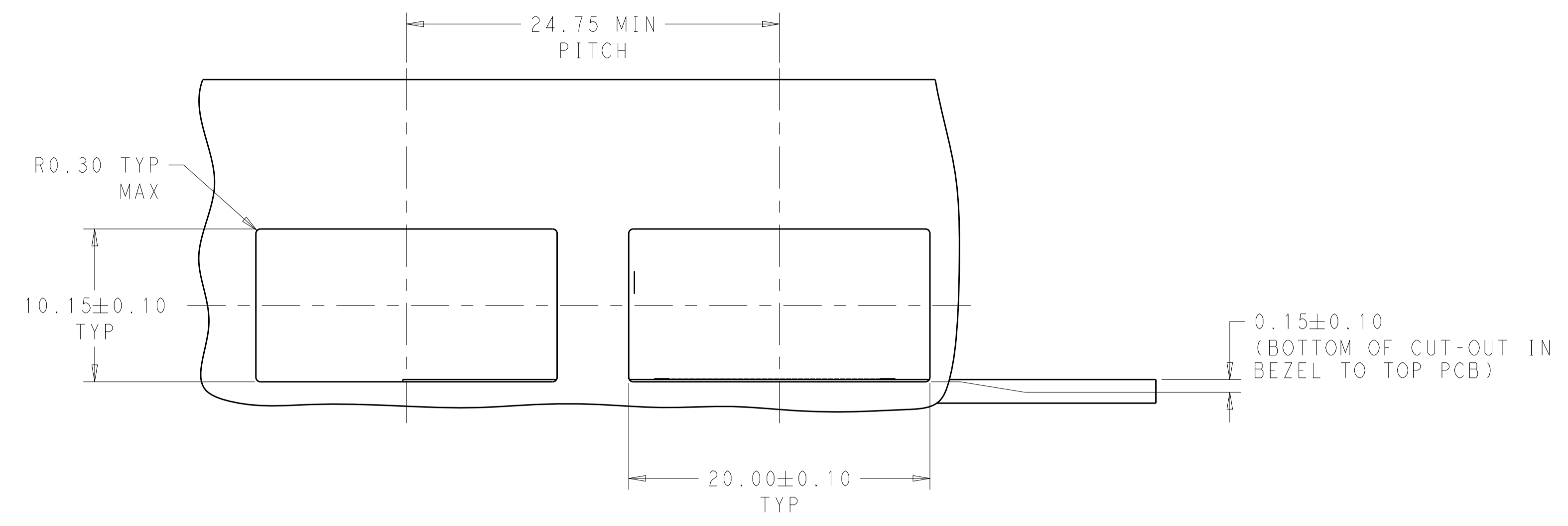
1 REAR LEG VERSION
SCALE 4:1



0 REAR LEG VERSION
SCALE 4:1

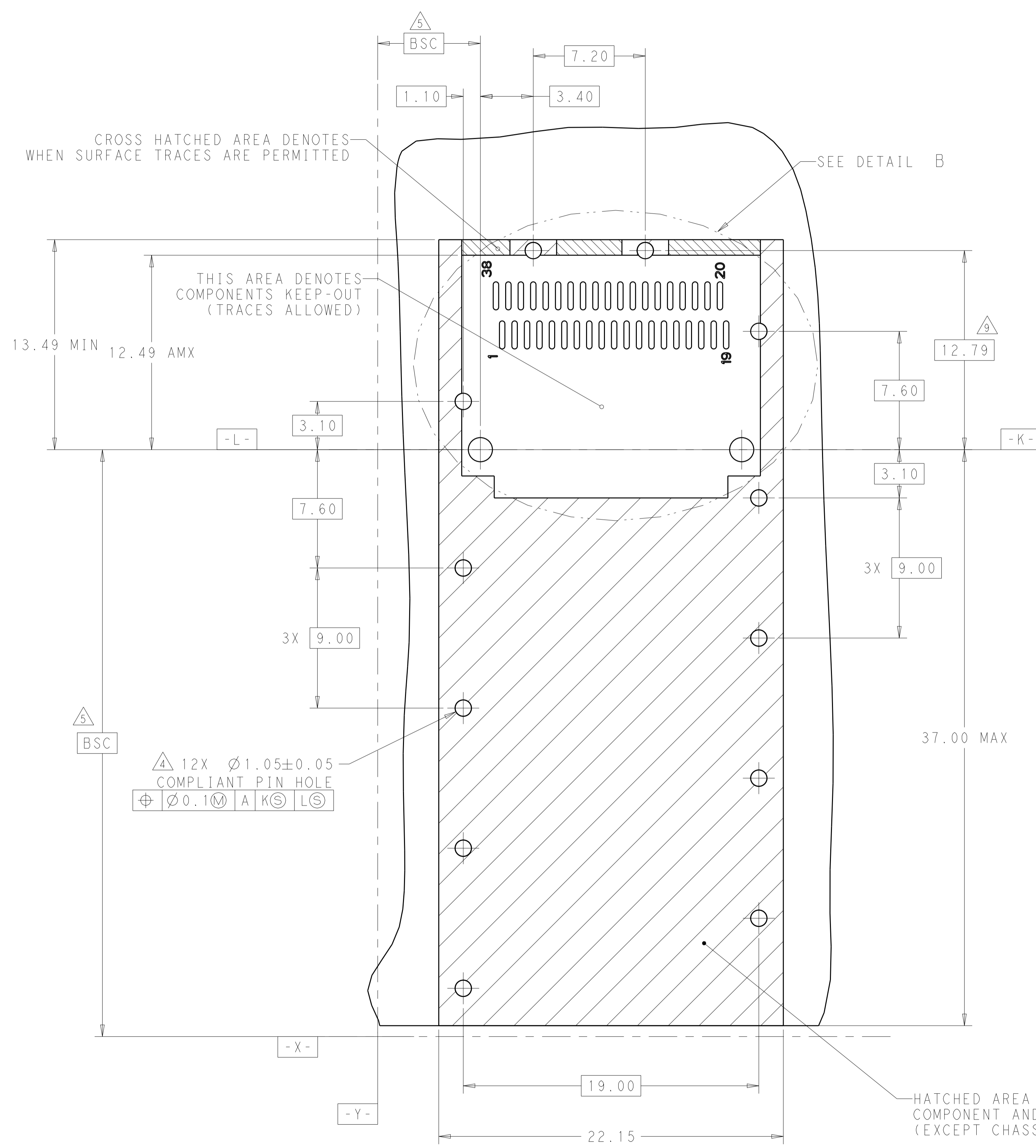
| | | | |
|--|--------|---------------------------|---|
| THIS DRAWING IS A CONTROLLED DOCUMENT. | | DMN: JASON YANG 01APR2014 | STC TE Connectivity |
| TOLERANCES UNLESS OTHERWISE SPECIFIED: | | CHK: SEAN HAN 30DEC2015 | |
| DIMENSIONS: | mm | APVD: - | NAME: CAGE ASSEMBLY, QSFP28 1X1, THRU BEZEL WITH EMI GASKET |
| 0 PLC | ±0.25 | PRODUCT SPEC | 108-19428 |
| 1 PLC | ±0.25 | APPLICATION SPEC | 114-32023 |
| 2 PLC | ±0.25 | SIZE | A100779C=2170752 |
| 3 PLC | ±0.100 | RESTRICTED TO | - |
| 4 PLC | ± | SCALE | 4:1 |
| ANGLES | ± | SHEET | 2 OF 5 |
| FINISH | - | REV | A |
| MATERIAL | - | Customer Drawing | |

| LOC | DIST | REVISIONS | | | |
|-----|------|-------------|------|-----|------|
| P | LTN | DESCRIPTION | DATE | DWN | APVD |
| - | - | SEE SHEET 1 | - | - | - |
| | | | | | |
| | | | | | |

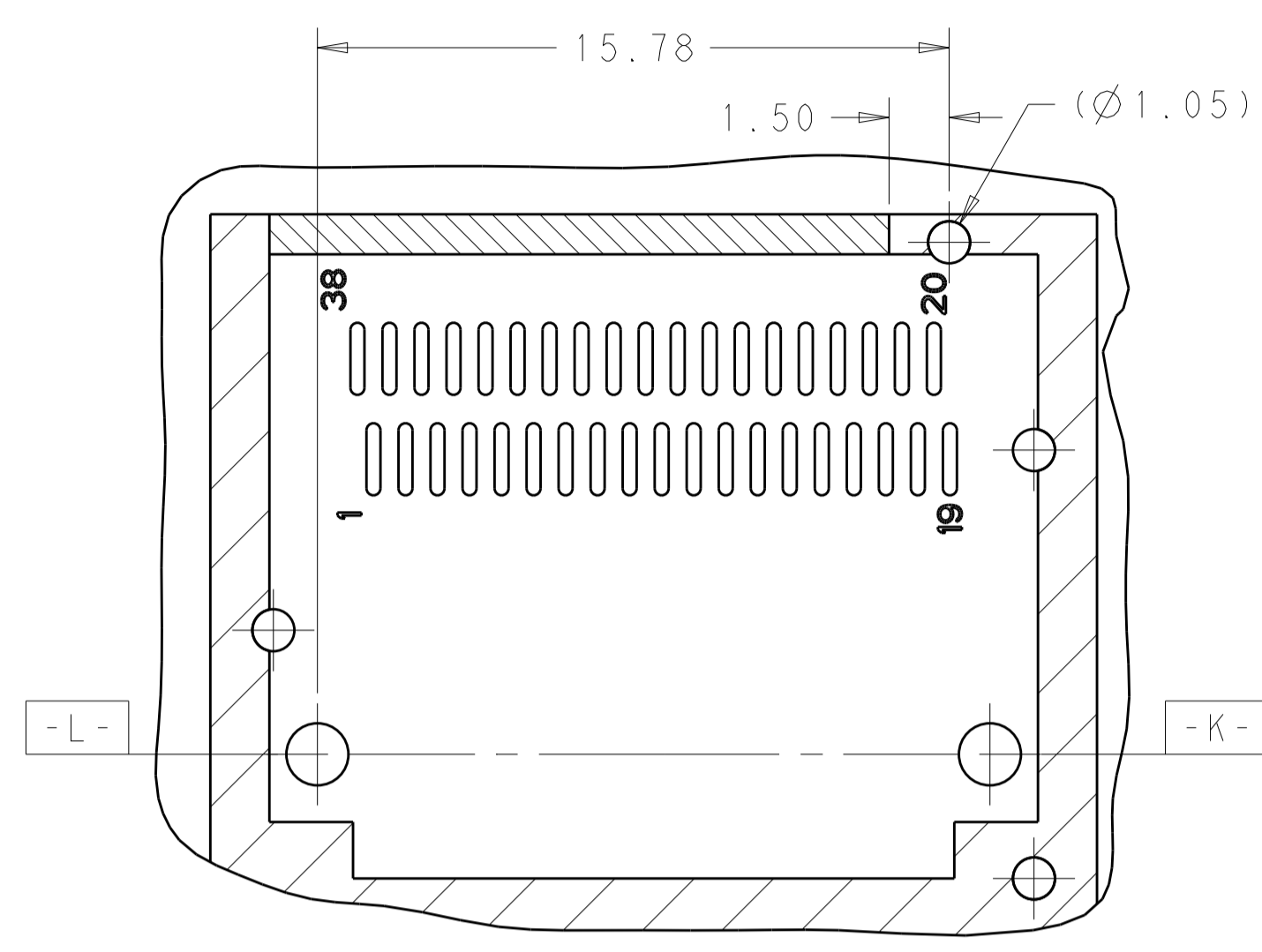


| | | | |
|--|--|----------------------------|---|
| THIS DRAWING IS A CONTROLLED DOCUMENT. | | DWN: JASON YANG 01APR2014 | TE Connectivity |
| DIMENSIONS: | | CHK: SEAN HAN 30DEC2015 | |
| mm | TOLERANCES UNLESS OTHERWISE SPECIFIED: | APVD: | NAME: CAGE ASSEMBLY, QSFP28 1X1, THRU BEZEL WITH EMI GASKET |
| 0 PLC | ±0.25 | PRODUCT SPEC | 108-19428 |
| 1 PLC | ±0.25 | APPLICATION SPEC | 114-32023 |
| 2 PLC | ±0.20 | SIZE: CAGE CODE DRAWING NO | A100779C=2170752 |
| 3 PLC | ±0.100 | RESTRICTED TO | - |
| 4 PLC | ± | WEIGHT | - |
| ANGLES | ± | Customer Drawing | SCALE 4:1 SHEET 3 OF 5 REV A |
| MATERIAL | FINISH | | |

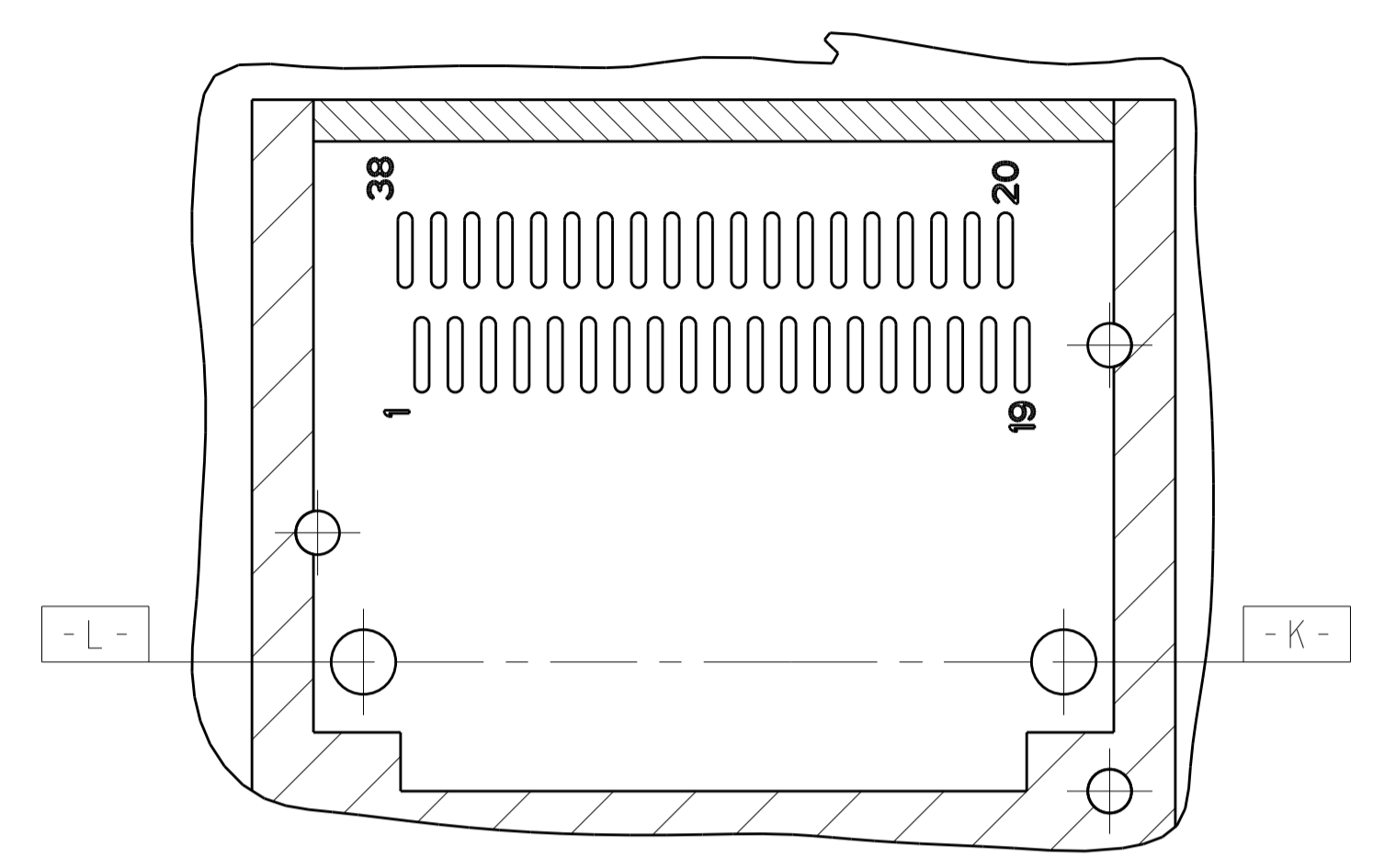
| LOC | DIST | REVISIONS | DATE | DWN | APVD |
|-----|------|-------------|------|-----|------|
| | | DESCRIPTION | | | |
| | | SEE SHEET 1 | | | |



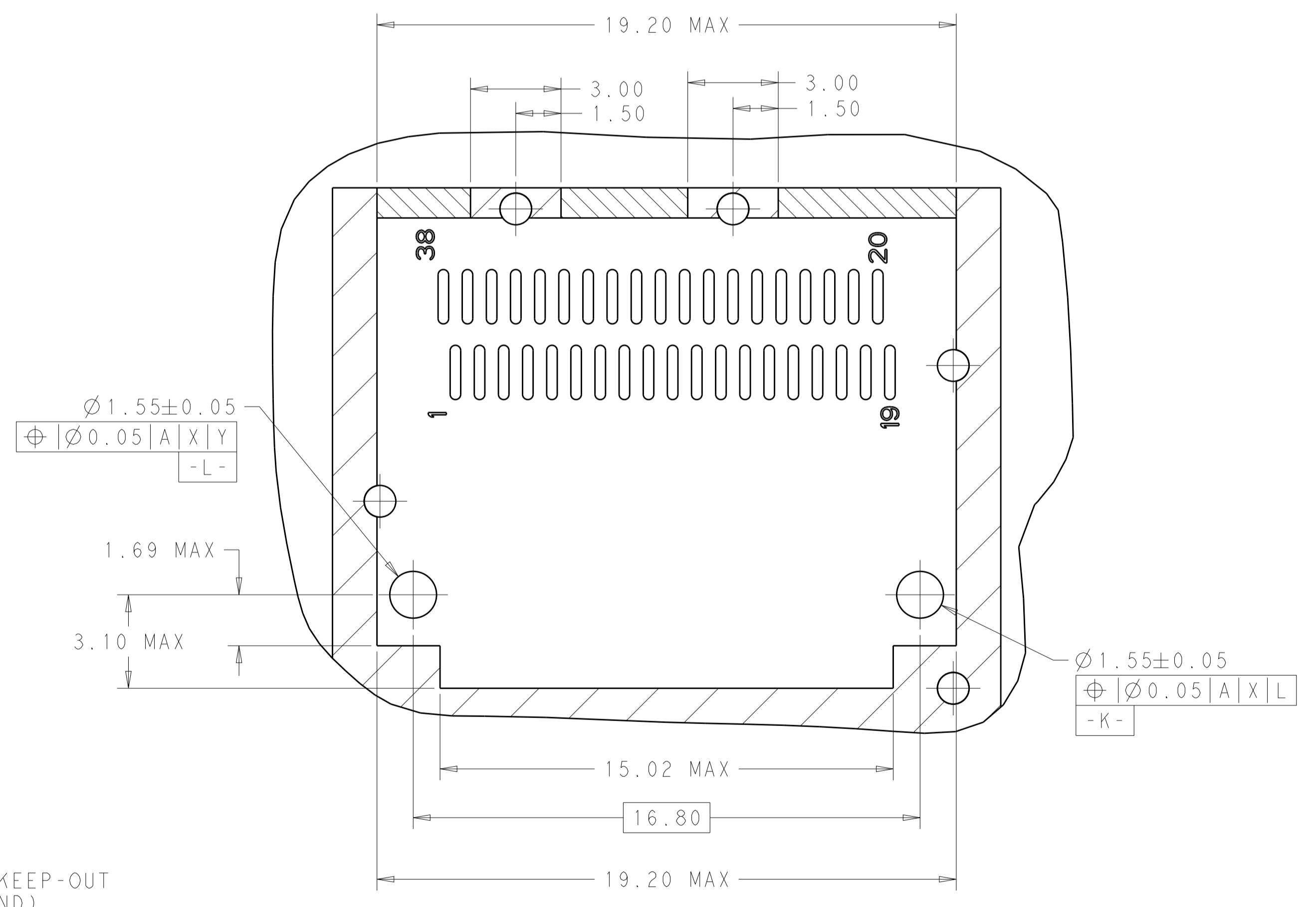
RECOMMENDED PCB LAYOUT
 SINGLE TYPE OF 2 REAR HOLES OF LEGS
 PCB TOLERANCE: ±0.05
 SCALE 6:1



RECOMMENDED PCB LAYOUT
 SINGLE TYPE OF 1 REAR HOLES OF LEGS
 PCB TOLERANCE: ±0.05
 SCALE 6:1



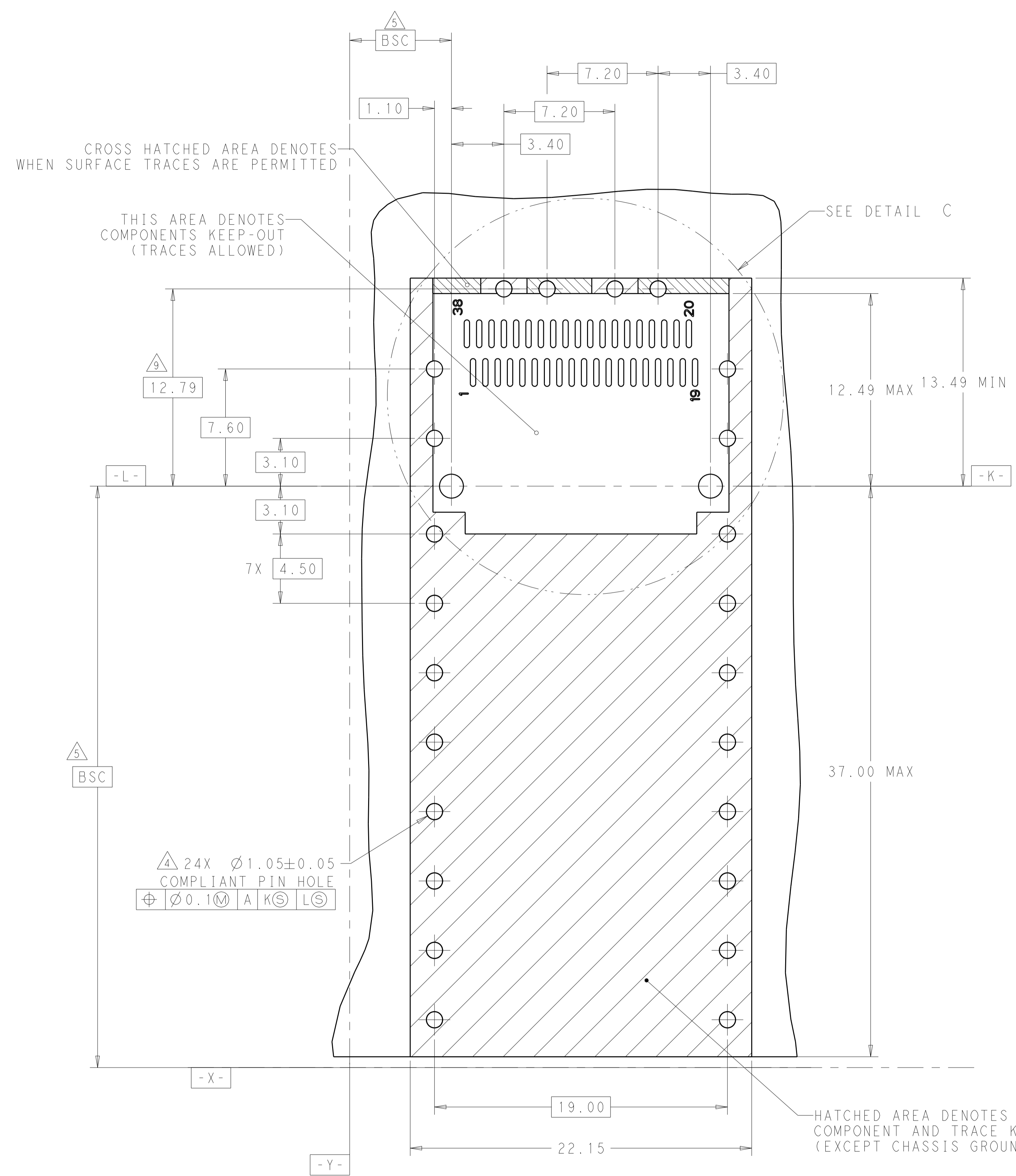
RECOMMENDED PCB LAYOUT
 SINGLE TYPE OF 0 REAR HOLES OF LEGS
 PCB TOLERANCE: ±0.05
 SCALE 6:1



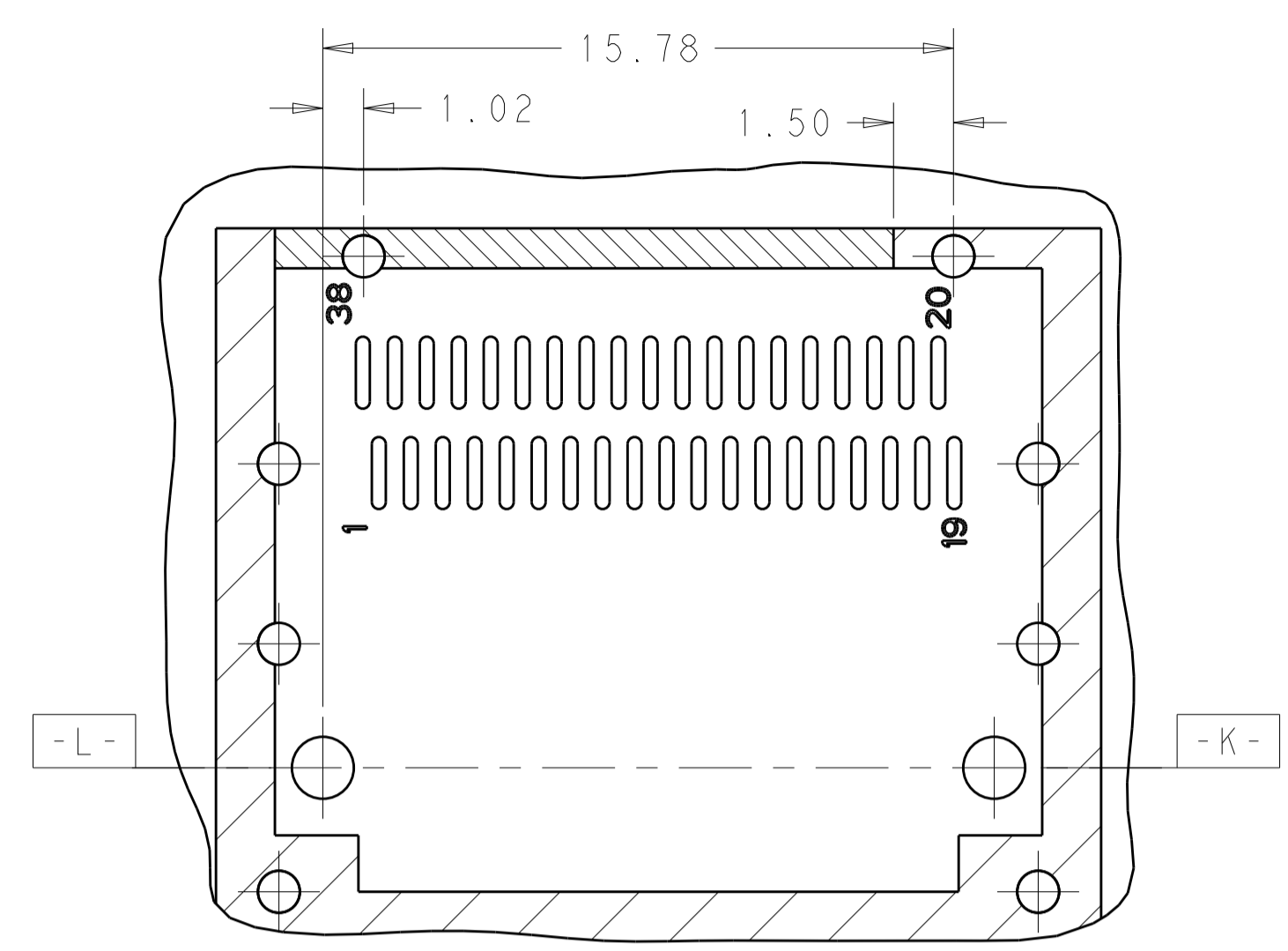
DETAIL B
 SCALE 8:1

| | | | |
|--|--------|---------------------------|---|
| THIS DRAWING IS A CONTROLLED DOCUMENT. | | DWN: JASON YANG 01APR2014 | TE Connectivity |
| DIMENSIONS: mm | | CHK: SEAN HAN 30DEC2015 | |
| TOLERANCES UNLESS OTHERWISE SPECIFIED: | | APVD: | NAME: CAGE ASSEMBLY, QSFP28 1X1, THRU BEZEL WITH EMI GASKET |
| 0 PLC | ±0.25 | PRODUCT SPEC | 108-19428 |
| 1 PLC | ±0.25 | APPLICATION SPEC | 114-32023 |
| 2 PLC | ±0.20 | SIZE | A100779 |
| 3 PLC | ±0.100 | CAGE CODE | C=2170752 |
| 4 PLC | ± | DRAWING NO | 4 of 5 |
| ANGLES | ± | RESTRICTED TO | REV A |
| MATERIAL | | WEIGHT | Customer Drawing |
| FINISH | | SCALE | 4:1 |

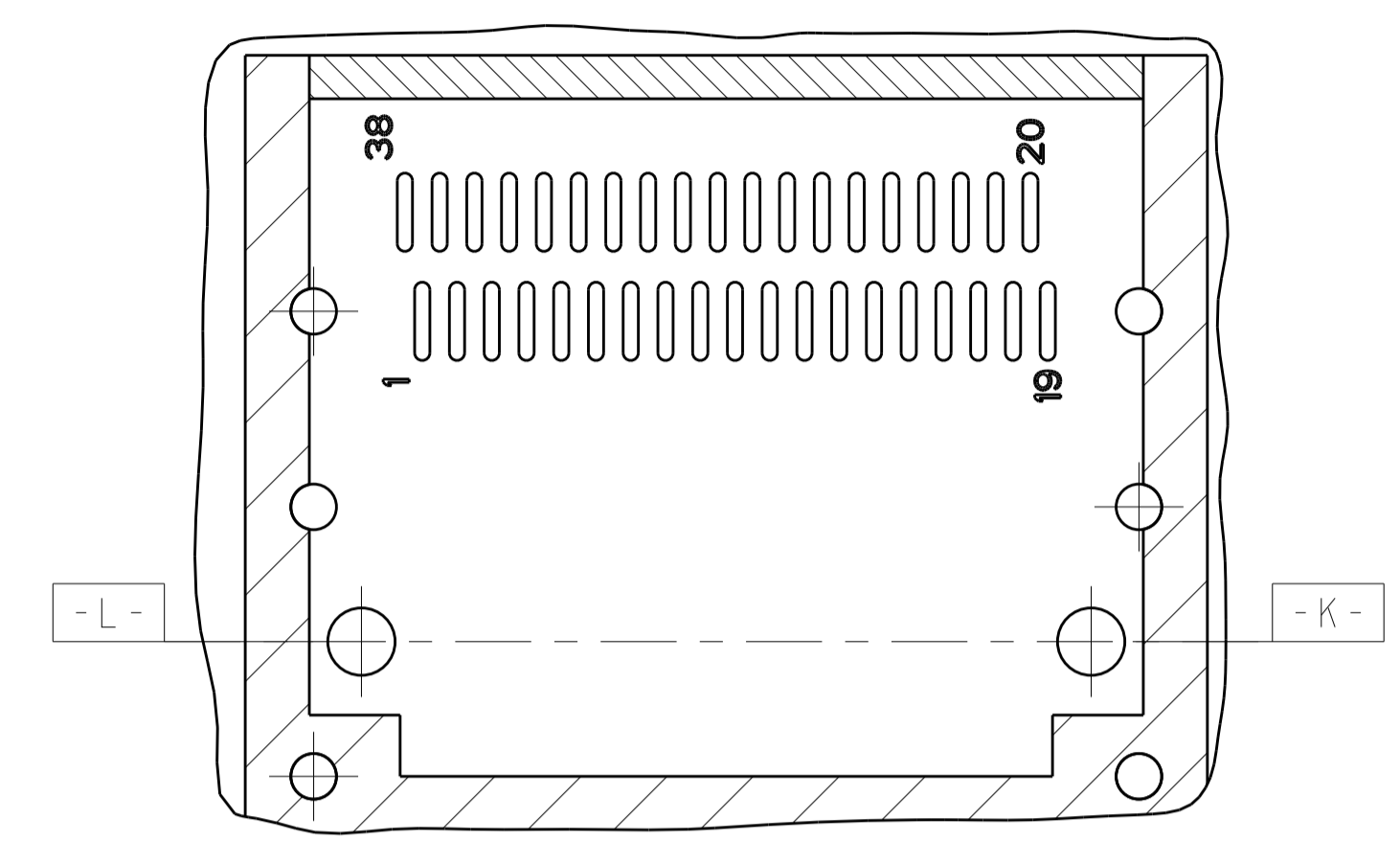
| LOC | | DIST | | REVISIONS | | | |
|-----|-----|-------------|------|-----------|------|---|---|
| P | LTN | DESCRIPTION | DATE | DWN | APVD | | |
| - | - | SEE SHEET 1 | - | - | - | - | - |



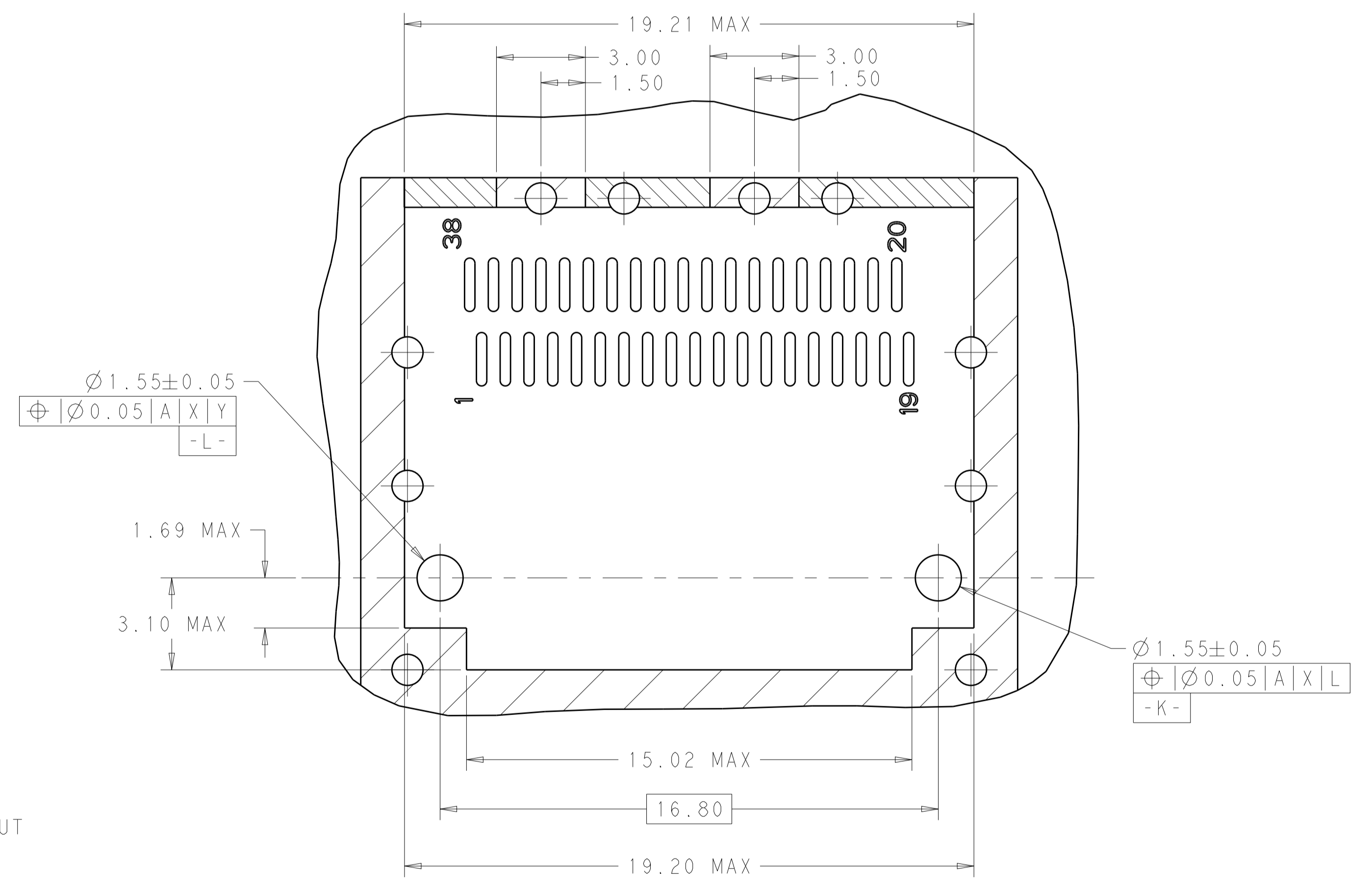
RECOMMENDED PCB LAYOUT
 BELLY TO BELLY TYPE OF 2 REAR HOLES OF LEGS
 PCB TOLERANCE: ±0.05
 SCALE 6:1



RECOMMENDED PCB LAYOUT
 BELLY TO BELLY TYPE OF 1 REAR HOLES OF LEGS
 PCB TOLERANCE: ±0.05
 SCALE 6:1



RECOMMENDED PCB LAYOUT
 BELLY TO BELLY TYPE OF 0 REAR HOLES OF LEGS
 PCB TOLERANCE: ±0.05
 SCALE 6:1



DETAIL C
 SCALE 8:1

| | | | |
|--|--------------|-----------------------------|---|
| THIS DRAWING IS A CONTROLLED DOCUMENT. | | DWN: JASON YANG 01APR2014 | TE Connectivity |
| DIMENSIONS: mm | | CHK: SEAN HAN 30DEC2015 | |
| TOLERANCES UNLESS OTHERWISE SPECIFIED: | | APVD: - | NAME: CAGE ASSEMBLY, QSFP28 1X1, THRU BEZEL WITH EMI GASKET |
| 0 PLC ±0.25 | 1 PLC ±0.25 | PRODUCT SPEC: 108-19428 | SIZE: A100779 |
| 2 PLC ±0.20 | 3 PLC ±0.100 | APPLICATION SPEC: 114-32023 | CAGE CODE: C=2170752 |
| 4 PLC ± | ANGLES ± | WEIGHT: - | RESTRICTED TO: - |
| MATERIAL: - | FINISH: - | Customer Drawing | SCALE: 4:1 SHEET 5 OF 5 REV A |