



Chipsmall Limited consists of a professional team with an average of over 10 year of expertise in the distribution of electronic components. Based in Hongkong, we have already established firm and mutual-benefit business relationships with customers from,Europe,America and south Asia,supplying obsolete and hard-to-find components to meet their specific needs.

With the principle of “Quality Parts,Customers Priority,Honest Operation,and Considerate Service”,our business mainly focus on the distribution of electronic components. Line cards we deal with include Microchip,ALPS,ROHM,Xilinx,Pulse,ON,Everlight and Freescale. Main products comprise IC,Modules,Potentiometer,IC Socket,Relay,Connector.Our parts cover such applications as commercial,industrial, and automotives areas.

We are looking forward to setting up business relationship with you and hope to provide you with the best service and solution. Let us make a better world for our industry!



## Contact us

Tel: +86-755-8981 8866 Fax: +86-755-8427 6832

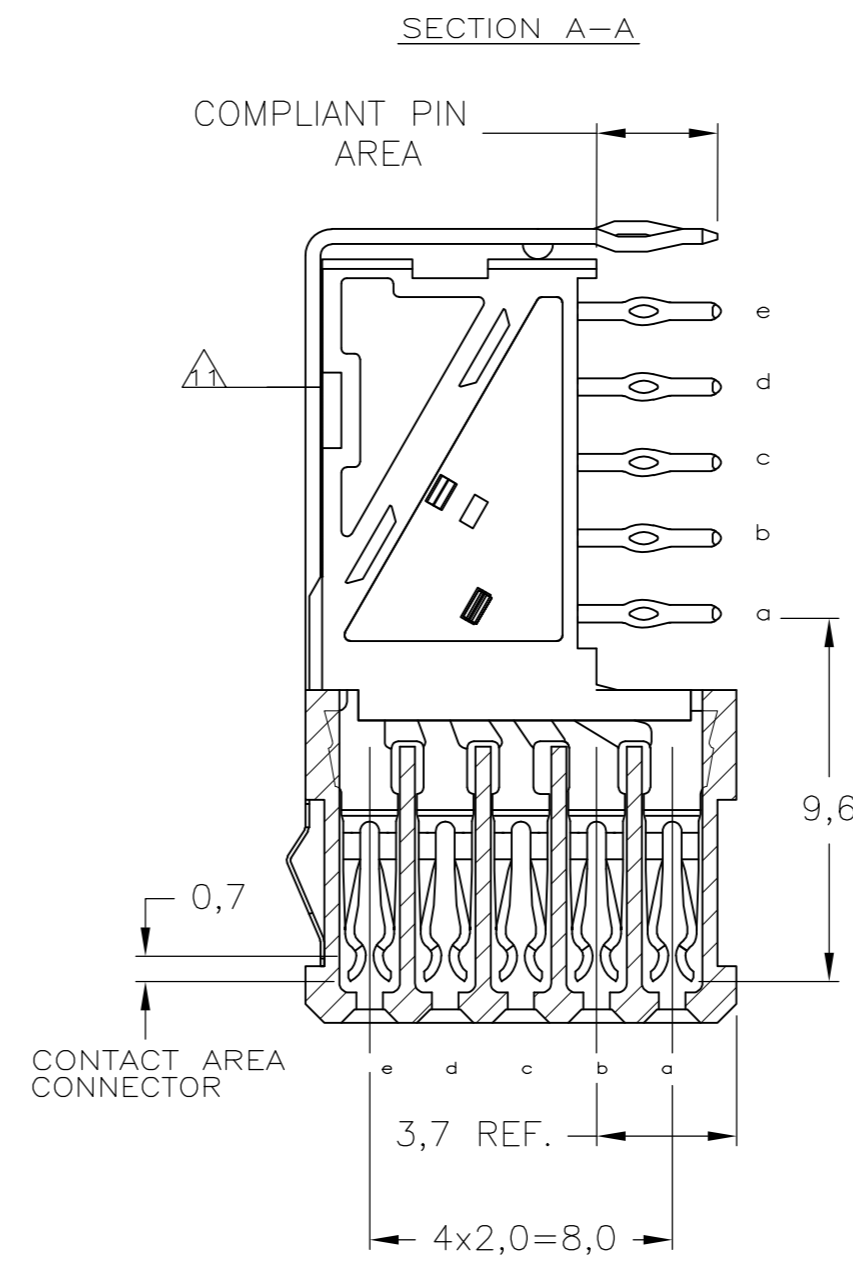
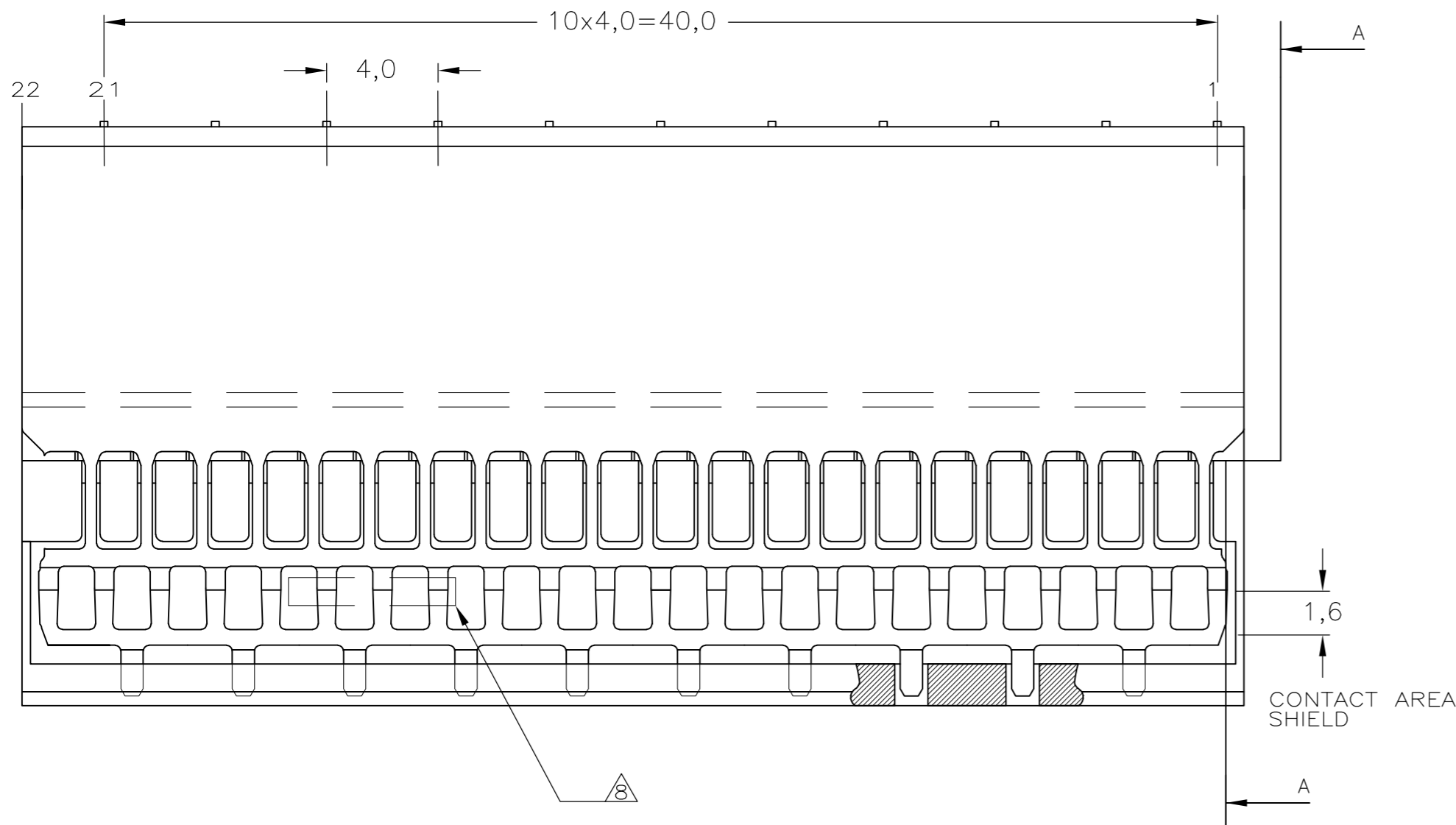
Email & Skype: info@chipsmall.com Web: www.chipsmall.com

Address: A1208, Overseas Decoration Building, #122 Zhenhua RD., Futian, Shenzhen, China

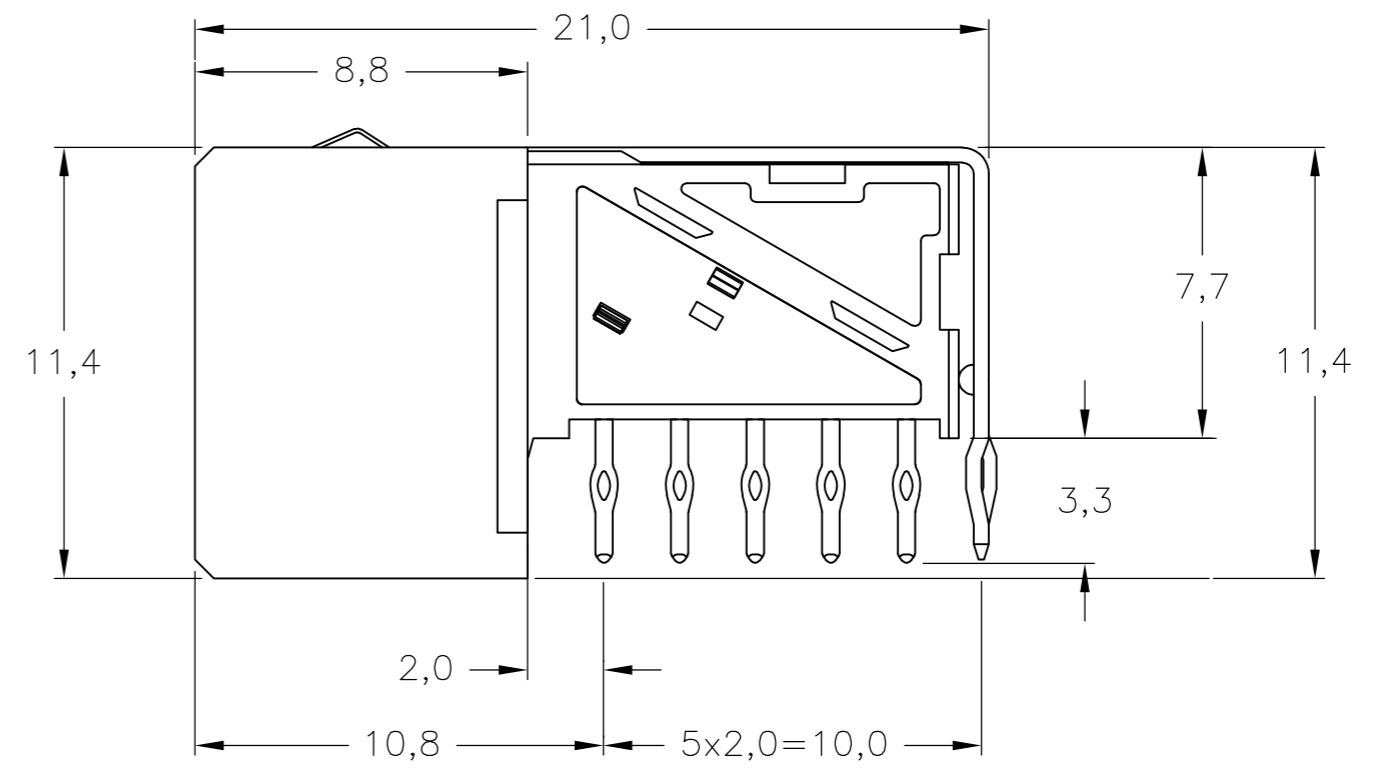
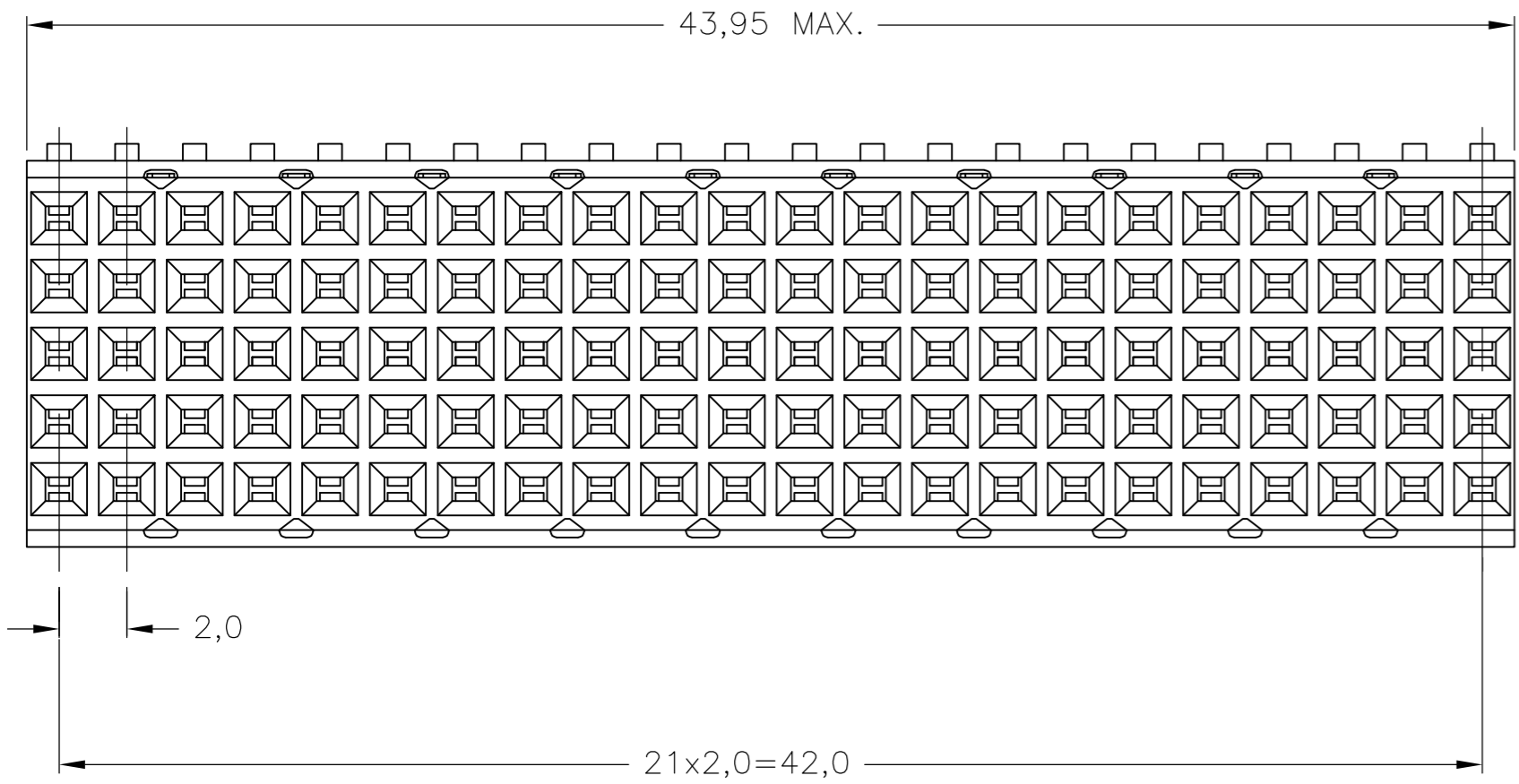


THIS DRAWING IS UNPUBLISHED. RELEASED FOR PUBLICATION  
 © COPYRIGHT - By - ALL RIGHTS RESERVED.

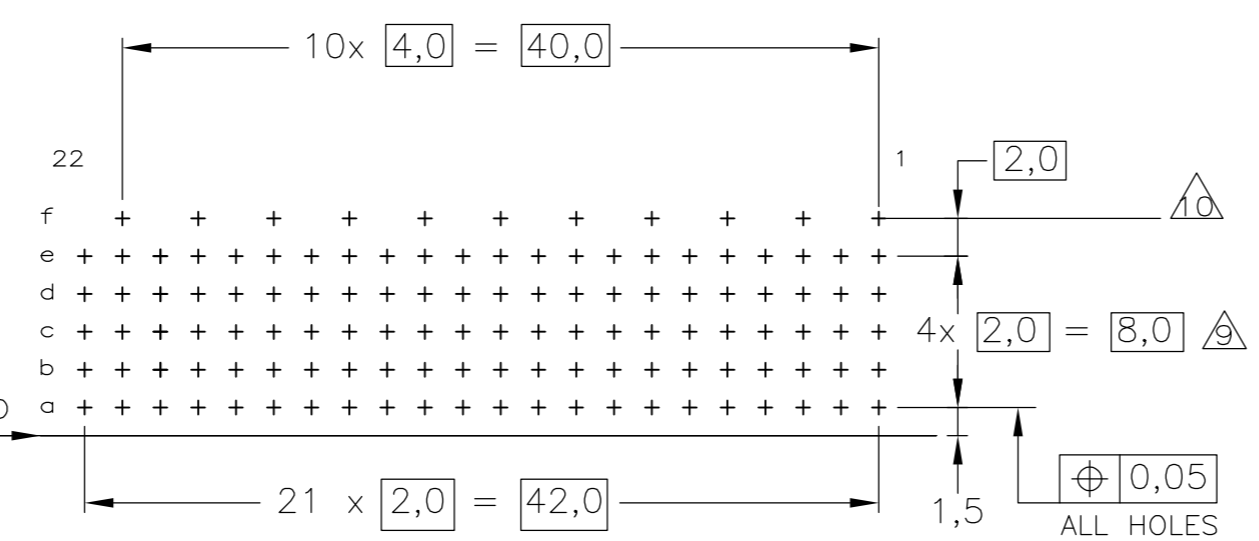
LOC		DIST		REVISIONS			
P	LTR	DESCRIPTION	DATE	DWN	APVD		
B		REVISED PER ECO-14-009607	27JUN2014	SY	FY		



- NOTES:
- △ MATERIAL CONTACTS; PHOSPHORBRONZE
  - △ MATERIAL HOUSING; GLASSFILLED POLYESTER (GRAY)
  - △ GENERAL PLATING SPECIFICATION: UNDERPLATING (ENTIRE CONTACT): 1,27μm NICKEL MIN. AND COMPLIANT PIN SECTION: 0,5μm TIN-LEAD MIN. FOR PLATING OF MATING SURFACES SEE APPLICABLE SPECIFICATION REFERENCE FOR EACH DASH NUMBER.
  - △ CONFORMS TO ALL TESTING ACCORDING IEC 61076-4-101 PERFORMANCE LEVEL 2.
  - △ CONFORMS TO ALL TESTING ACCORDING IEC 61076-4-101 PERFORMANCE LEVEL 1.
  - △ CONNECTOR TESTED AND QUALIFIED AGAINST TELCORDIA GR-1217-CORE QUALITY LEVEL III, CENTRAL OFFICE APPLICATIONS.
  - △ CONNECTOR LUBRICATED WITH TELCORDIA GR-1217-CORE APPROVED LUBRICANT.
  - △ ASSEMBLY PRINTED WITH P/N AND DATECODE
  - △ THE MARKING CAN APPEAR ON THE FRONT SIDE OR BACK SIDE.
  - △ HOLE PATTERN FOR FEMALE CONNECTOR TYPE B-22 COLUMNS 110 PLATED-THROUGH HOLES AT 2x2mm SQUARE GRID
  - △ ROW "f" 11 PLATED THROUGH HOLES FOR UPPERSHIELD SHIELD MOUNTED ON CONNECTOR WITH DOUBLE SIDED ADHESIVE TAPE OR ADHESIVE.
  - 12 BASIC P.N. LOWERSHIELD : 352468 OR 5352468.



COMPONENT SIDE AS SHOWN  
 RECOMMENDED PCB-HOLE LAY-OUT  
 SCALE 2,5:1



P.C.B. HOLE DIM. COMPLIANT PIN  
 FOR DETAILS SEE  
 APPLICATION SPECIFICATION

THIS DRAWING IS A CONTROLLED DOCUMENT.		DWN SANDERS YAN 25NOV2013	FINISH	MATERIAL	2170863-1
DIMENSIONS: mm		CHK -	PARTNUMBER		
TOLERANCES UNLESS OTHERWISE SPECIFIED:		APVD FRANK YANG 25NOV2013	TE Connectivity		
0 PLG ±		NAME	Z-PACK 2mm HM		
1 PLG ±		PRODUCT SPEC	TYPE B - 22 COLUMNS		
2 PLG ± ±0.2		APPLICATION SPEC	PRE-SHIELDED RECEPTACLE		
3 PLG ±		108-19082	SIZE	CAGE CODE	DRAWING NO
4 PLG ±		114-19029	A2	00779	C=2170863
ANGLES ±		WEIGHT	RESTRICTED TO		
FINISH		-	-		
MATERIAL		-	CUSTOMER DRAWING		
		SCALE 5:1	SHEET 1 of 1	REV B	