



Chipsmall Limited consists of a professional team with an average of over 10 year of expertise in the distribution of electronic components. Based in Hongkong, we have already established firm and mutual-benefit business relationships with customers from,Europe,America and south Asia,supplying obsolete and hard-to-find components to meet their specific needs.

With the principle of “Quality Parts,Customers Priority,Honest Operation,and Considerate Service”,our business mainly focus on the distribution of electronic components. Line cards we deal with include Microchip,ALPS,ROHM,Xilinx,Pulse,ON,Everlight and Freescale. Main products comprise IC,Modules,Potentiometer,IC Socket,Relay,Connector.Our parts cover such applications as commercial,industrial, and automotives areas.

We are looking forward to setting up business relationship with you and hope to provide you with the best service and solution. Let us make a better world for our industry!



Contact us

Tel: +86-755-8981 8866 Fax: +86-755-8427 6832

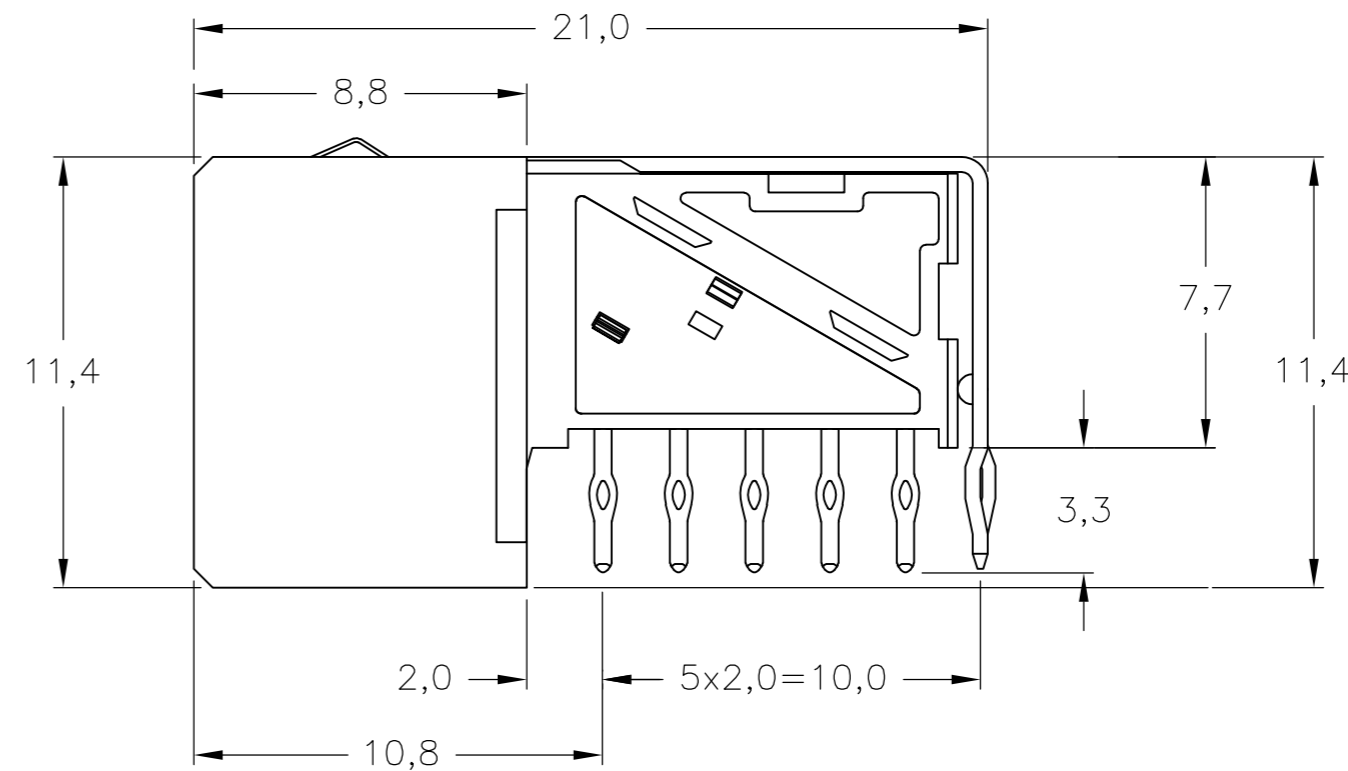
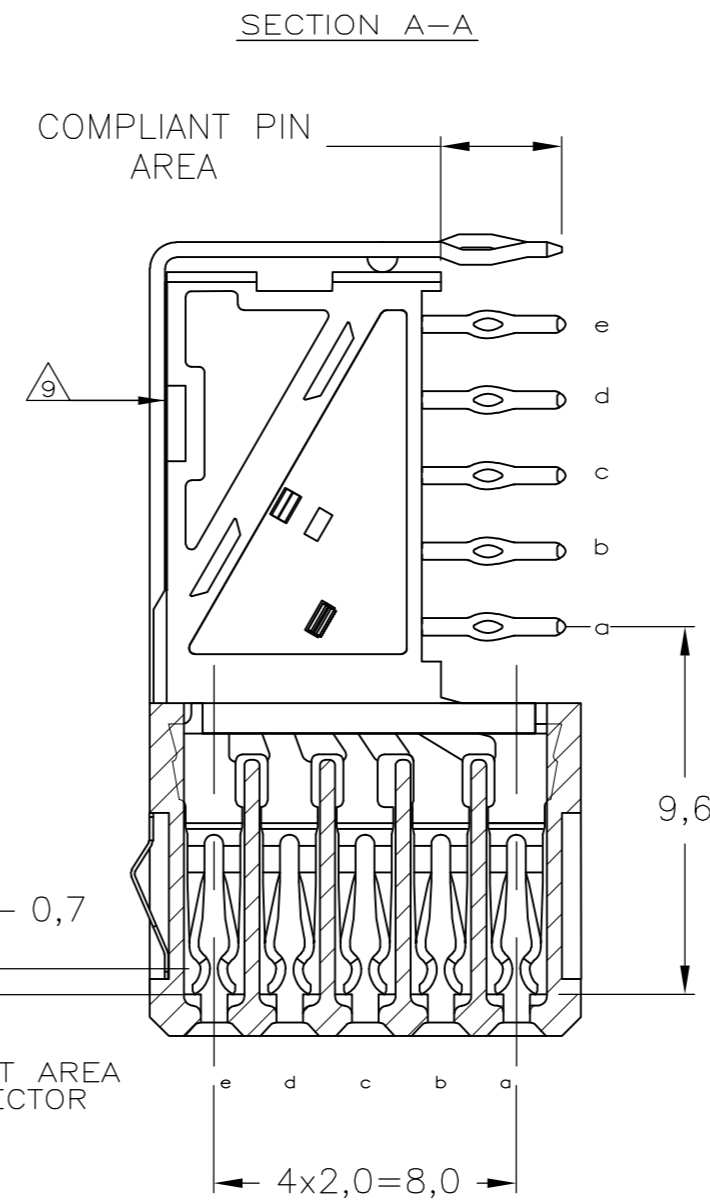
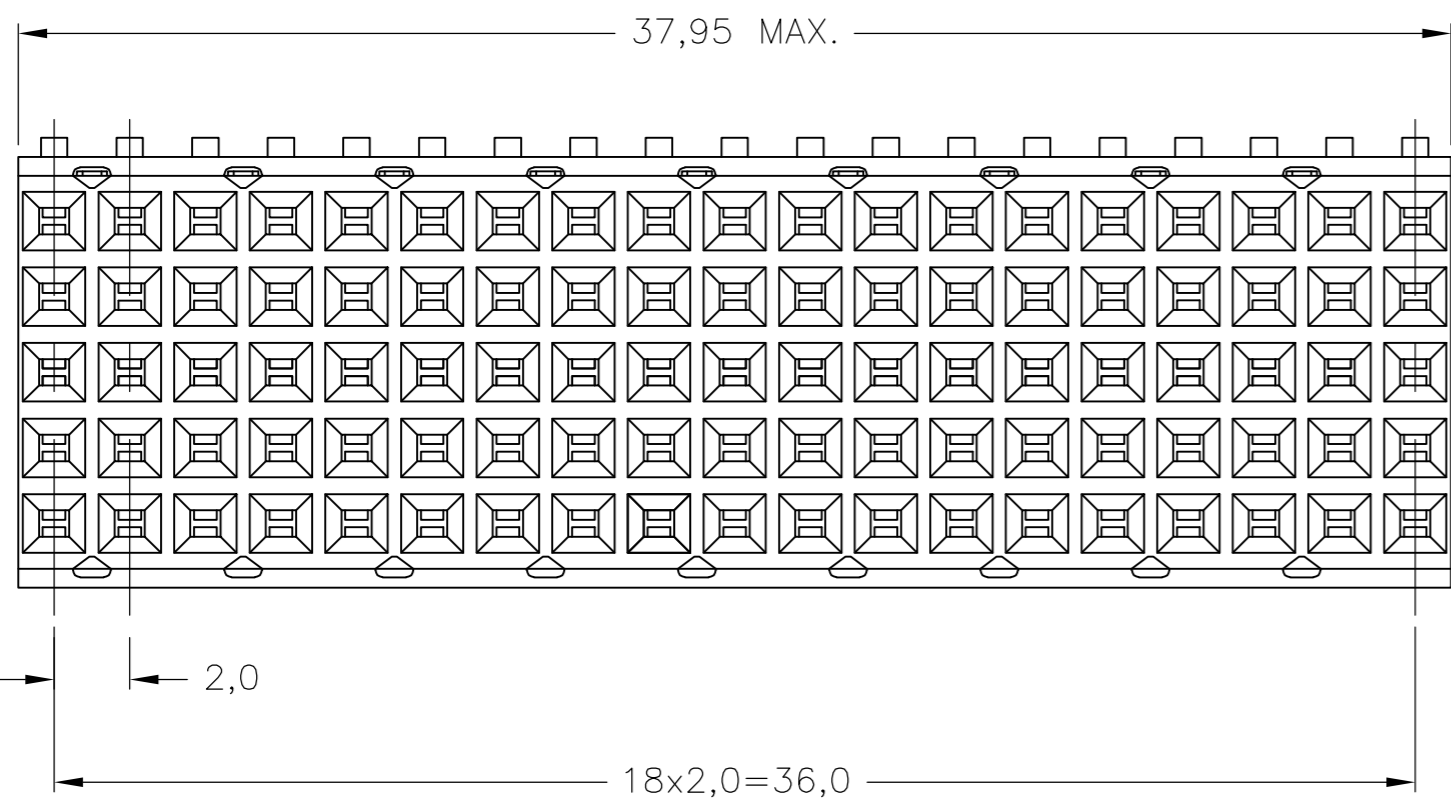
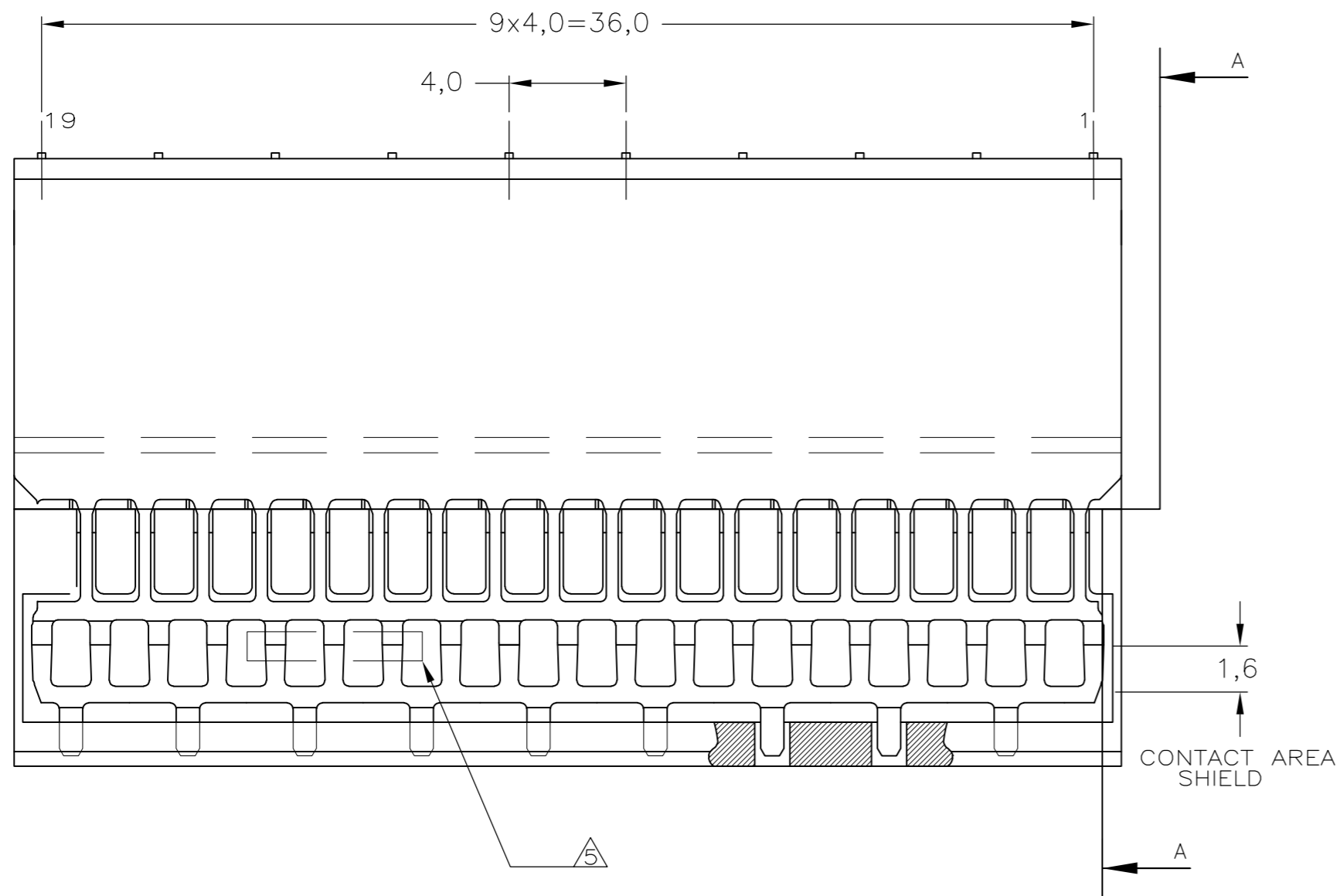
Email & Skype: info@chipsmall.com Web: www.chipsmall.com

Address: A1208, Overseas Decoration Building, #122 Zhenhua RD., Futian, Shenzhen, China



THIS DRAWING IS UNPUBLISHED. RELEASED FOR PUBLICATION
 © COPYRIGHT - By - ALL RIGHTS RESERVED.

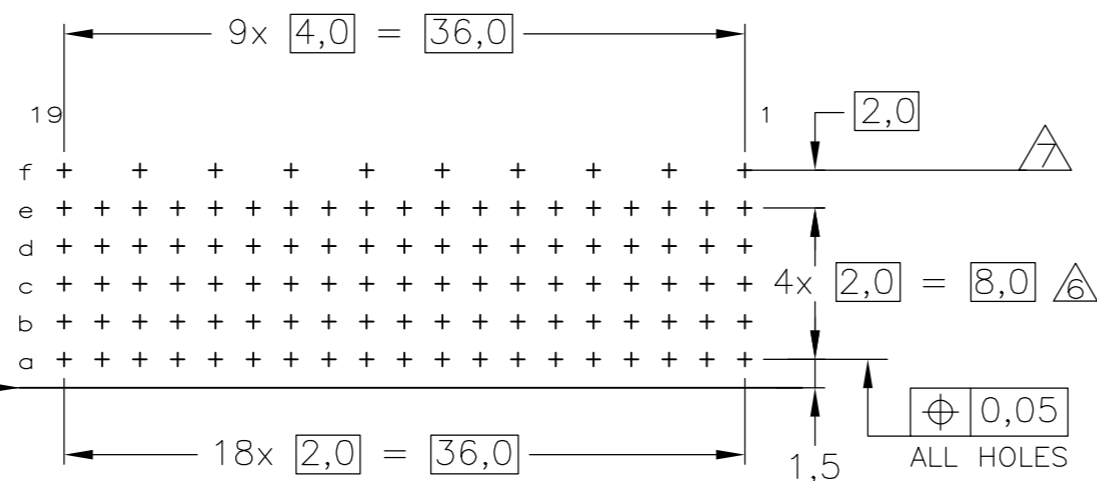
LOC		DIST		REVISIONS			
P	LTR	DESCRIPTION		DATE	DWN	APVD	
B		REVISED PER ECO-14-009607		27JUN2014	SY	FY	



NOTES:

- 1 MATERIAL CONTACTS; PHOSPHORBRONZE
- 2 MATERIAL HOUSING; GLASSFILLED POLYESTER (GRAY)
- 3 GENERAL PLATING SPECIFICATION: UNDERPLATING (ENTIRE CONTACT): 1,27µm NICKEL MIN. AND COMPLIANT PIN SECTION: 0,5µm TIN-LEAD MIN. FOR PLATING OF MATING SURFACES SEE APPLICABLE SPECIFICATION REFERENCE FOR EACH DASH NUMBER.
- 4 CONFORMS TO ALL TESTING ACCORDING IEC 61076-4-101 PERFORMANCE LEVEL 2.
- 5 CONFORMS TO ALL TESTING ACCORDING IEC 61076-4-101 PERFORMANCE LEVEL 1.
- 6 ASSEMBLY PRINTED WITH P/N AND DATECODE THE MARKING CAN APPEAR ON THE FRONT SIDE OR BACK SIDE.
- 7 HOLE PATTERN FOR FEMALE CONNECTOR TYPE B-19 COLUMNS 95 PLATED-THROUGH HOLES AT 2x2mm SQUARE GRID
- 8 ROW "f" 10 PLATED THROUGH HOLES FOR UPERSHIELD CONNECTOR & SHIELD LUBRICATED WITH BELLCORE APPROVED LUBRICANT, TECHNICAL REFERENCE TR-NWT-001217 ISSUE 1, SEPT. 1992. CONNECTOR TESTED AND QUALIFIED AGAINST BELLCORE QUALITY LEVEL III, CENTRAL OFFICE APPLICATIONS
- 9 SHIELD MOUNTED ON CONNECTOR WITH DOUBLE SIDED ADHESIVE TAPE OR ADHESIVE.
- 10 BASIC P.N. LOWERSHIELD: 352029 OR 5352029

COMPONENT SIDE AS SHOWN
 RECOMMENDED PCB-HOLE LAY-OUT
 SCALE 2,5:1



P.C.B. HOLE DIM. COMPLIANT PIN
 FOR DETAILS SEE
 APPLICATION SPECIFICATION

THIS DRAWING IS A CONTROLLED DOCUMENT.		DWN SANDERS YAN 25NOV2013	2170864-1
DIMENSIONS: mm		CHK -	FINISH
TOLERANCES UNLESS OTHERWISE SPECIFIED:		APVD FRANK YANG 25NOV2013	MATERIAL
0-PLG ± 1-PLG ± 2-PLG ± ±0.2 3-PLG ± 4-PLG ± ANGLES ± FINISH		NAME	PARTNUMBER
MATERIAL		108-19082	TE Connectivity
		114-19029	Z-PACK 2mm HM
		WEIGHT -	TYPE B - 19 COLUMNS
		CUSTOMER DRAWING	PRE-SHIELDED RECEPTACLE
		SCALE 5:1	RESTRICTED TO
		SHEET 1 of 1	
		REV B	