



Chipsmall Limited consists of a professional team with an average of over 10 year of expertise in the distribution of electronic components. Based in Hongkong, we have already established firm and mutual-benefit business relationships with customers from,Europe,America and south Asia,supplying obsolete and hard-to-find components to meet their specific needs.

With the principle of “Quality Parts,Customers Priority,Honest Operation,and Considerate Service”,our business mainly focus on the distribution of electronic components. Line cards we deal with include Microchip,ALPS,ROHM,Xilinx,Pulse,ON,Everlight and Freescale. Main products comprise IC,Modules,Potentiometer,IC Socket,Relay,Connector.Our parts cover such applications as commercial,industrial, and automotives areas.

We are looking forward to setting up business relationship with you and hope to provide you with the best service and solution. Let us make a better world for our industry!



Contact us

Tel: +86-755-8981 8866 Fax: +86-755-8427 6832

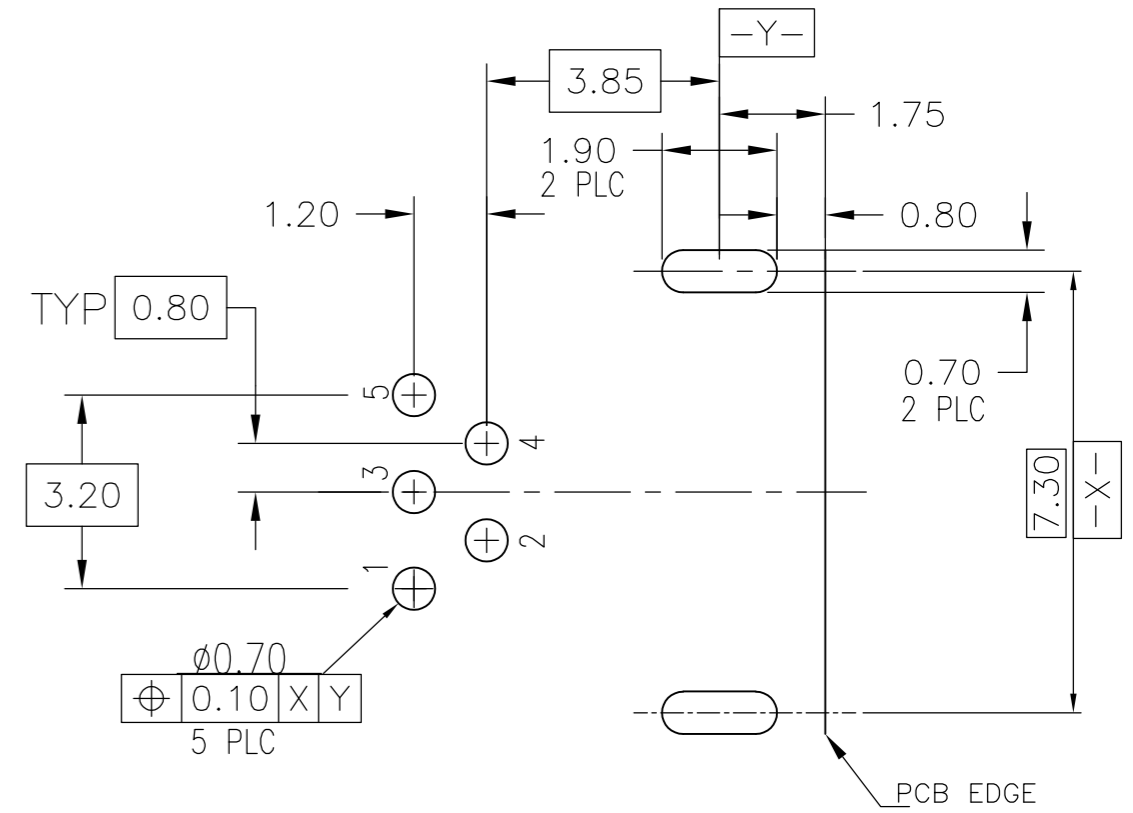
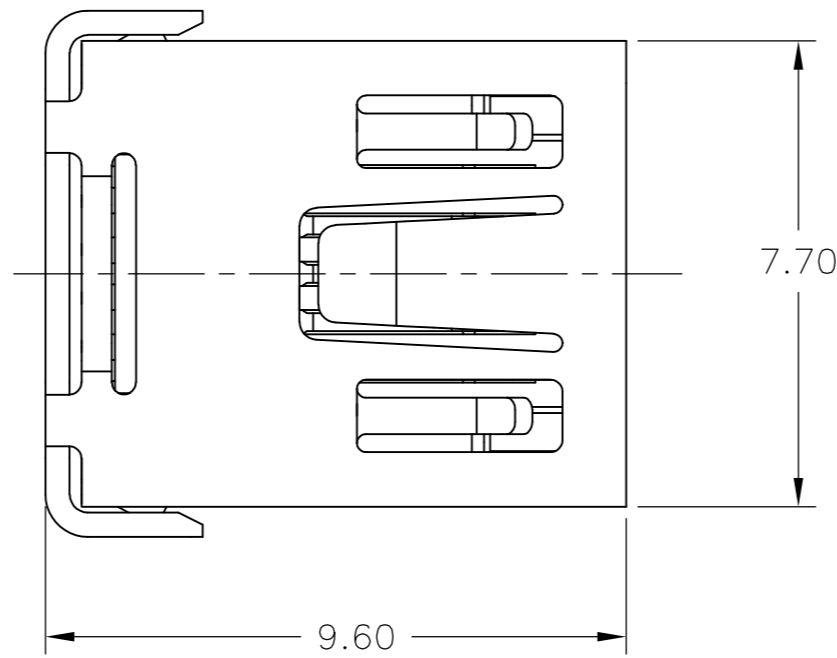
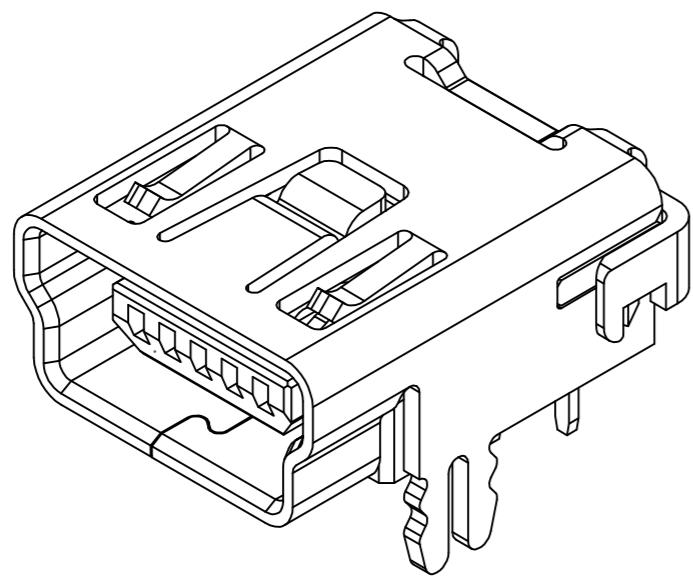
Email & Skype: info@chipsmall.com Web: www.chipsmall.com

Address: A1208, Overseas Decoration Building, #122 Zhenhua RD., Futian, Shenzhen, China

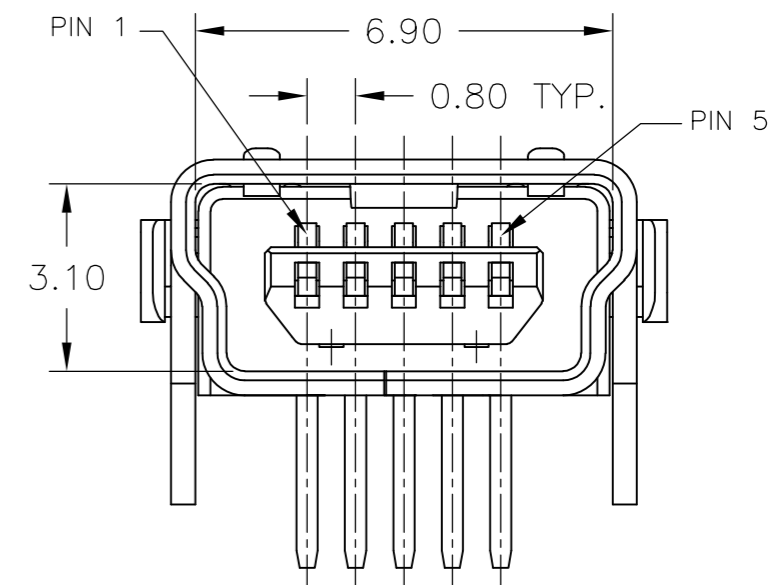
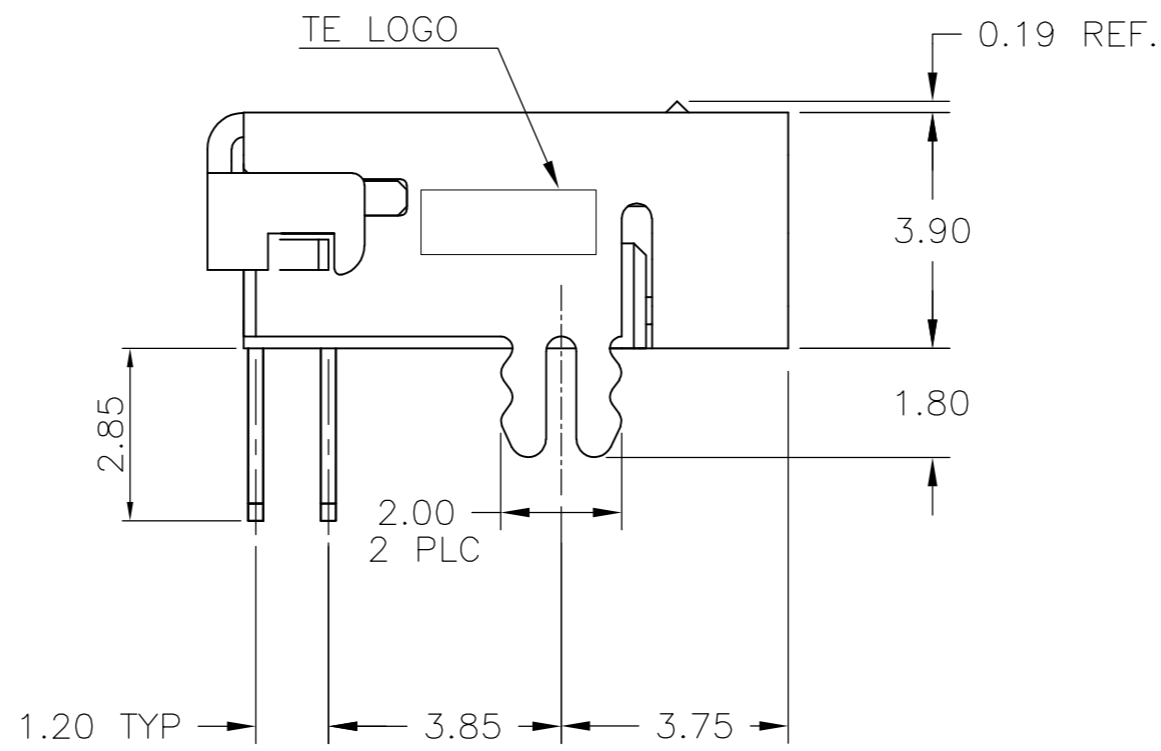
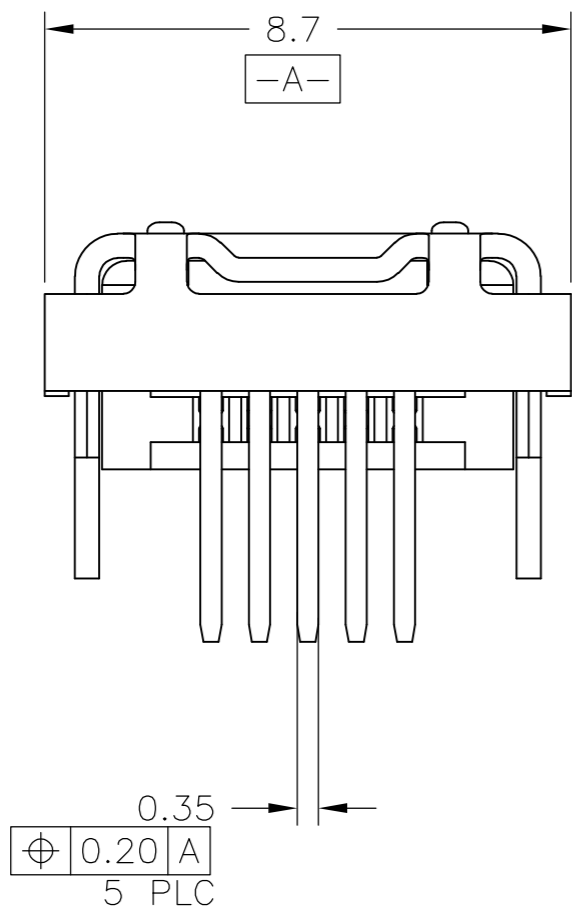


THIS DRAWING IS UNPUBLISHED. RELEASED FOR PUBLICATION
 © COPYRIGHT - By - ALL RIGHTS RESERVED.

LOC		DIST		REVISIONS			
P	LTR	DESCRIPTION		DATE	DWN	APVD	
-	-	A	REVIS	PER ECO-13-005557	29MAR2013	KH	MB



RECOMMENDED P.C.B LAYOUT (TOP VIEW)
 (TOLERANCE:±0.05; THICKNESS IS 1.60mm)



- MATERIAL :
 HOUSING: PBT WITH 30% GLASS FILLED, 15% REGRIND MAX, UL 94V-0,COLOR BLACK.
 CONTACT: PHOSPHOR BRONZE.
 SHIELD: PHOSPHOR BRONZE.
- FINISH :
 CONTACT:GOLD FLASH OVER.
 0.762um (30u") MIN PALLADIUM-NICKEL PLATING ON CONTACT AREA.
 2.54um (100u') MIN MATTE TIN PLATED ON SOLDER TAILS
 1.27um (50u') MIN NICKEL UNDERPLATED ALL OVER.
 SHIELD: 1.27um(50u') MIN NICKEL PLATED ALL OVER.
- RECOMMENDED PCB THICKNESS :1.60mm.
- WAVE SOLDER CAPABLE TO 265 C PER TE SPEC 109-202,CONDITION B.
- PARTS NOT YET QUALIFIED

2172034-1
 PART NUMBER

THIS DRAWING IS A CONTROLLED DOCUMENT.		DWN	22FEB2013		TE Connectivity		
DIMENSIONS: mm		CHK	22FEB2013		NAME		
TOLERANCES UNLESS OTHERWISE SPECIFIED:		APVD	22FEB2013		PRODUCT SPEC		
0 PLC ± 0.38 1 PLC ± 0.30 2 PLC ± 0.20 3 PLC ± 0.10 4 PLC ± - ANGLES ± 30°		APPLICATION SPEC			MINI USB CONN,RCPT,R/A,DIP,B TYPE		
MATERIAL SEE NOTE		FINISH SEE NOTE		WEIGHT	0.665 GRAMS	RESTRICTED TO	
		CUSTOMER DRAWING		SIZE	A2		
				CAGE CODE	00779		
				DRAWING NO	C=2172034		
				SCALE	1:1		
				SHEET	1 of 2		
				REV	A		

THIS DRAWING IS UNPUBLISHED. RELEASED FOR PUBLICATION
 © COPYRIGHT - By - ALL RIGHTS RESERVED.

LOC		DIST		REVISIONS			
P	LTR	DESCRIPTION	DATE	DWN	APVD		
-	-	SEE SHEET 1	-	-	-		

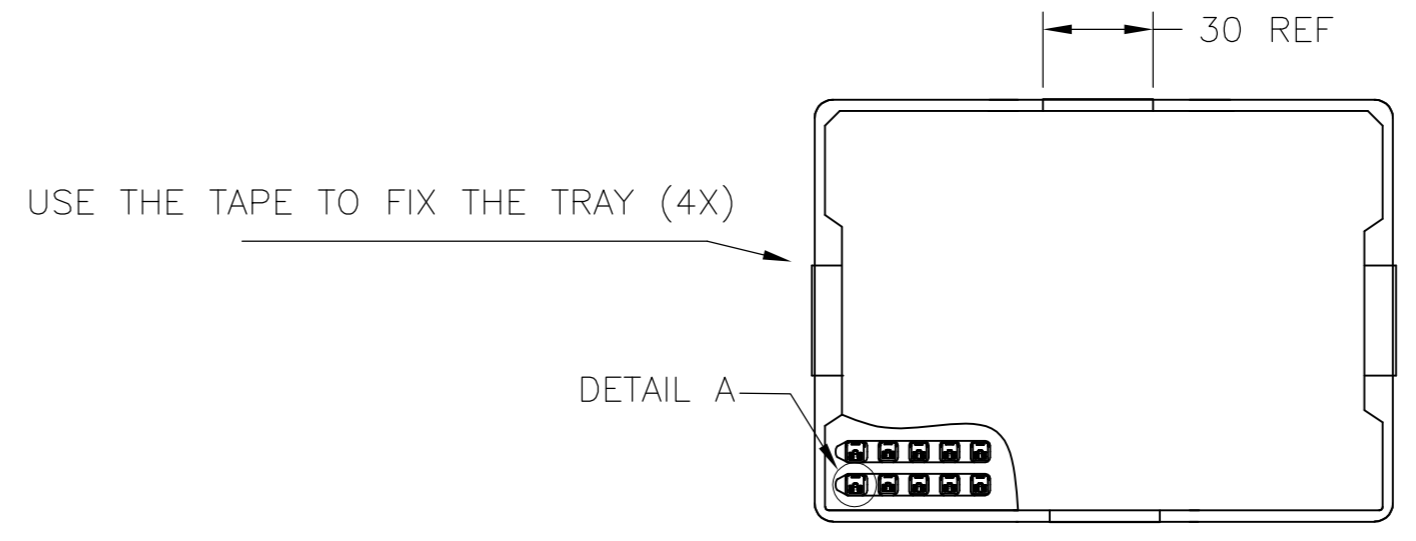
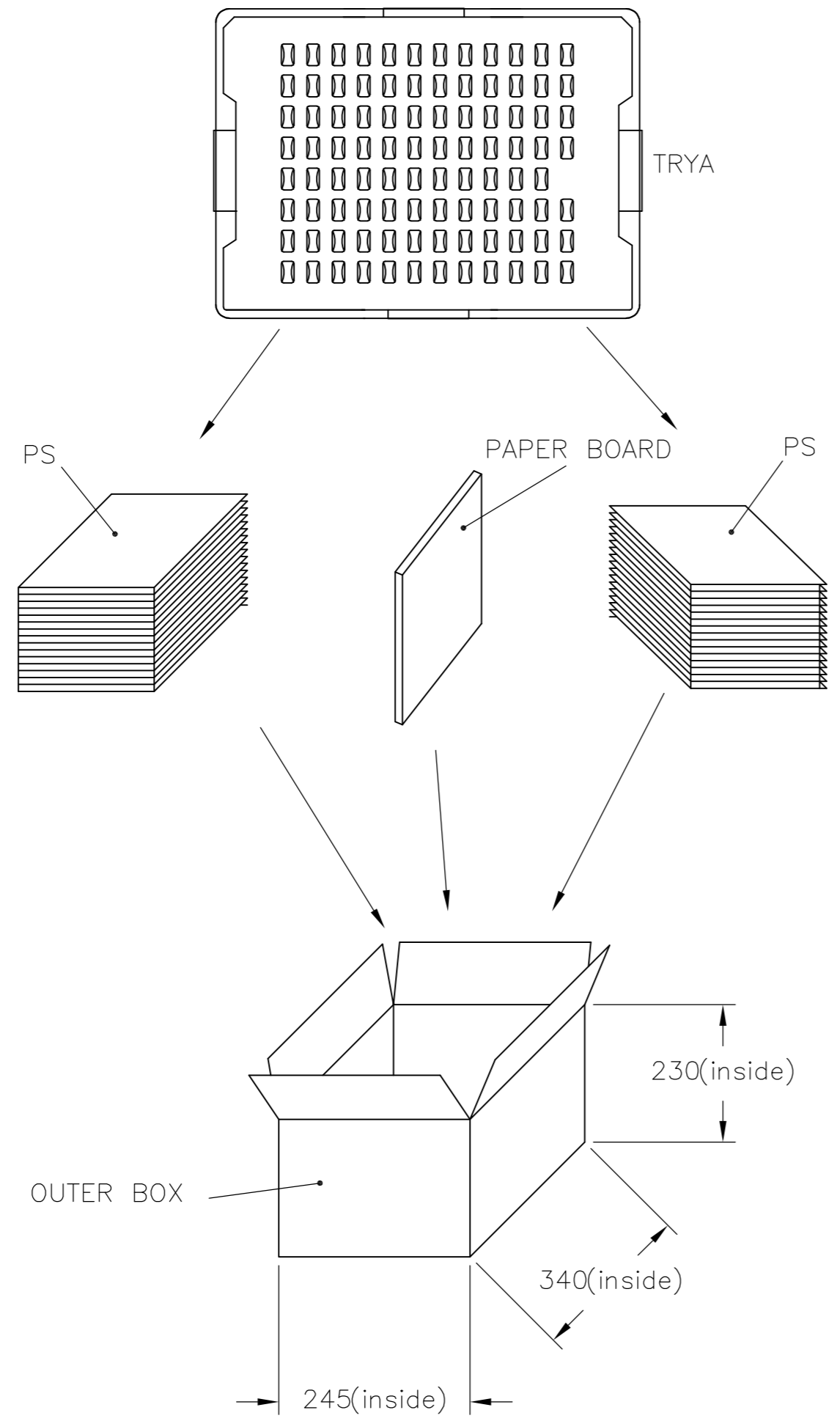
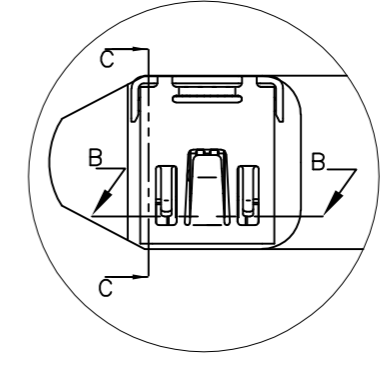


FIGURE E
HEIGHT : 8mm



DETAIL A
(SCALE 8:1)

6.2 Kg	3.5 Kg	95	46	4370 PCS
GROSS WEIGHT	NET WEIGHT	PCS/TRAY	TRAYS /CARTON	QUANTITY

THIS DRAWING IS A CONTROLLED DOCUMENT.		DWN 22FEB2013 KIRAN HOLAL	TE Connectivity															
DIMENSIONS: mm		CHK 22FEB2013 BRUBAKER MARK	NAME MINI USB CONN,RCPT,R/A,DIP,B TYPE															
TOLERANCES UNLESS OTHERWISE SPECIFIED:		APVD 22FEB2013 BRUBAKER MARK																
<table border="0"> <tr><td>0 PLC</td><td>± 0.38</td></tr> <tr><td>1 PLC</td><td>± 0.30</td></tr> <tr><td>2 PLC</td><td>± 0.20</td></tr> <tr><td>3 PLC</td><td>± 0.10</td></tr> <tr><td>4 PLC</td><td>± -</td></tr> <tr><td>ANGLES</td><td>± 30°</td></tr> </table>		0 PLC	± 0.38	1 PLC	± 0.30	2 PLC	± 0.20	3 PLC	± 0.10	4 PLC	± -	ANGLES	± 30°	PRODUCT SPEC	SIZE	CAGE CODE	DRAWING NO	RESTRICTED TO
0 PLC	± 0.38																	
1 PLC	± 0.30																	
2 PLC	± 0.20																	
3 PLC	± 0.10																	
4 PLC	± -																	
ANGLES	± 30°																	
MATERIAL SEE NOTE		FINISH SEE NOTE	WEIGHT 0.665 GRAMS	A2 00779	C=2172034	-												
		CUSTOMER DRAWING		SCALE 1:1	SHEET 2 OF 2	REV A												