



Chipsmall Limited consists of a professional team with an average of over 10 year of expertise in the distribution of electronic components. Based in Hongkong, we have already established firm and mutual-benefit business relationships with customers from,Europe,America and south Asia,supplying obsolete and hard-to-find components to meet their specific needs.

With the principle of “Quality Parts,Customers Priority,Honest Operation,and Considerate Service”,our business mainly focus on the distribution of electronic components. Line cards we deal with include Microchip,ALPS,ROHM,Xilinx,Pulse,ON,Everlight and Freescale. Main products comprise IC,Modules,Potentiometer,IC Socket,Relay,Connector.Our parts cover such applications as commercial,industrial, and automotives areas.

We are looking forward to setting up business relationship with you and hope to provide you with the best service and solution. Let us make a better world for our industry!



Contact us

Tel: +86-755-8981 8866 Fax: +86-755-8427 6832

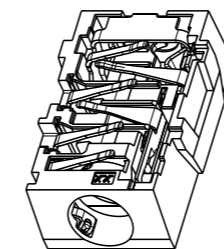
Email & Skype: info@chipsmall.com Web: www.chipsmall.com

Address: A1208, Overseas Decoration Building, #122 Zhenhua RD., Futian, Shenzhen, China



LOC	DIST
H	-

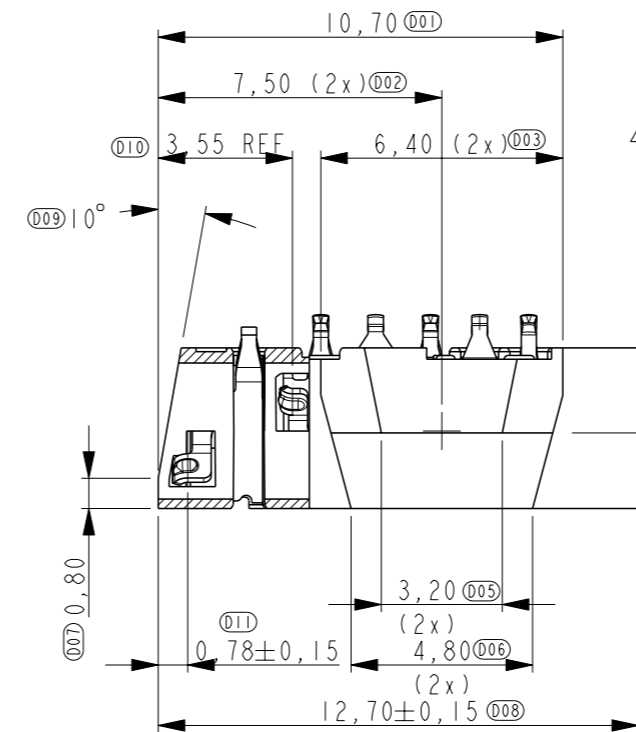
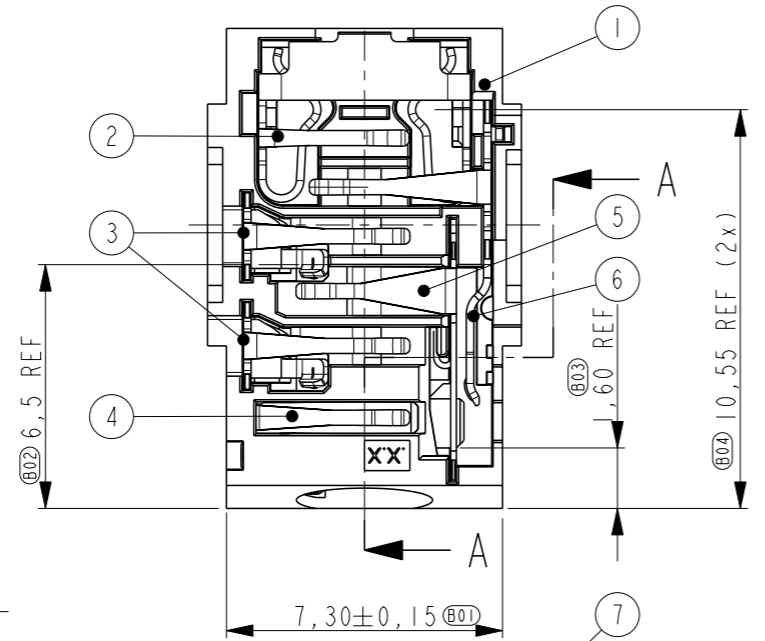
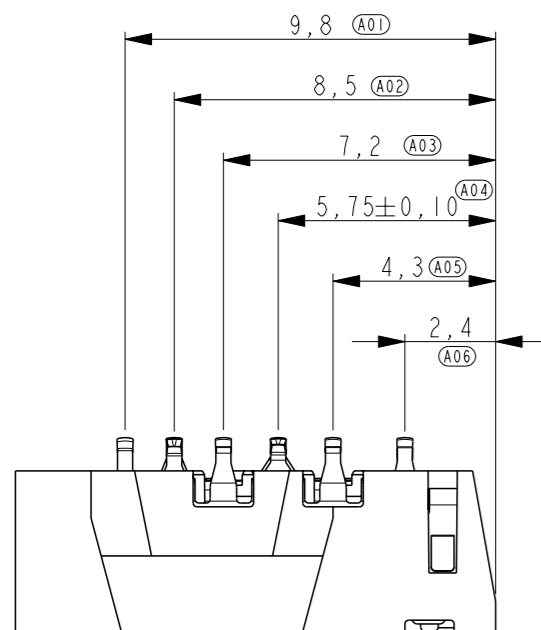
REVISIONS					
P	LTR	DESCRIPTION	DATE	DWN	APVD
	A	ECR-12-004586	19MAR2012	MG	DH



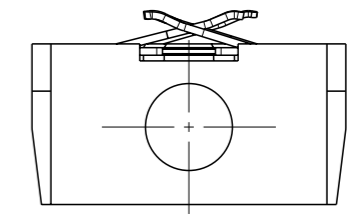
SCALE 5:2

NOTES:

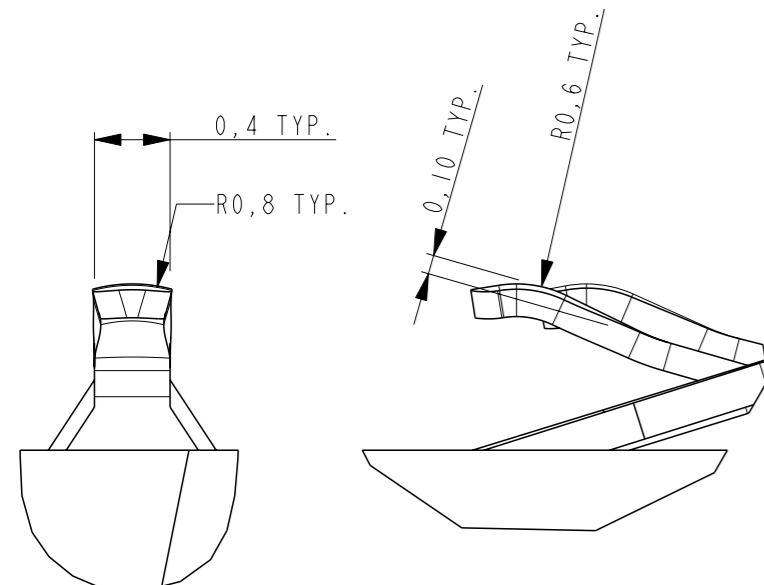
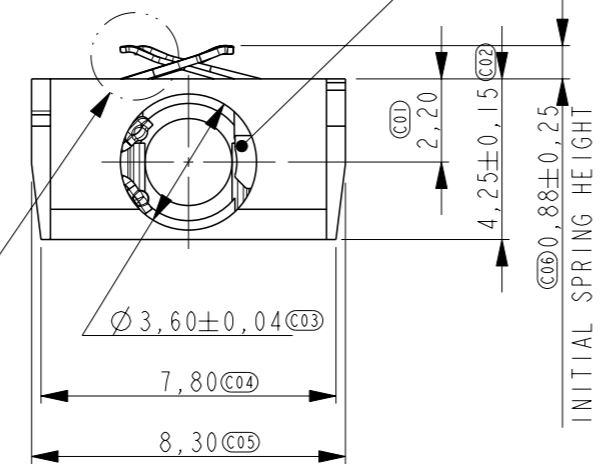
- 1 PN. AS SHOWN 2173014-1.
- 2 MARKING: P=PRODUCTION LOCATION, Y=YEAR, WW=WEEK, D=DAY, LL=PRODUCTION LINE, S=SHIFT
- 3 RECOMMENDED PWB LAYOUT SEE SHEET 2
- 4 PACKAGING IN EIA 481-D SEE SHEET 3
- 5 NUMBER OF PRODUCTS ON REEL/IN BOX SEE SHEET 3
- 6 MAX WORKING RANGE 0.50 MM (SEE ALSO SHEET 2) WITH Fmin=0.20N



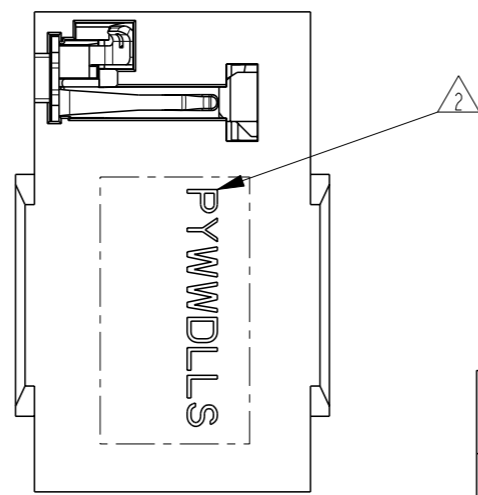
SECTION A-A



SEE DETAIL A



DETAIL A SCALE 25:1



ITEM NO.	DESCRIPTION	MATERIAL	FINISH
7	ACTUATOR	PA, 35% G.F.	
6	PLUGDETECTION CONTACT	Cu Alloy	1.3 µm Ni overall; flashgold over 0.3 µm PdNi selectively on all contacting areas
5	SWITCH CONTACT	Cu Alloy	1.3 µm Ni overall; flashgold over 0.3 µm PdNi selectively on all contacting areas
4	GROUND CONTACT	Cu Alloy	1.3 µm Ni overall; flashgold over 0.3 µm PdNi selectively on all contacting areas
3	RIGHT/MIC CONTACT	Cu Alloy	1.3 µm Ni overall; flashgold over 0.3 µm PdNi selectively on all contacting areas
2	LEFT CONTACT	Cu Alloy	2.0 µm Ni overall; flashgold over 0.3 µm PdNi selectively; compressive springside 0.5 Au only
1	HOUSING	PA, 35% G.F.	

THIS DRAWING IS A CONTROLLED DOCUMENT.		DWN 12nov2010 M.Gosselink
DIMENSIONS: mm		CHK 12nov2010 M.Gosselink
TOLERANCES UNLESS OTHERWISE SPECIFIED:		APVD 12nov2010 D.Halberstadt
0 PLC	±-	PRODUCT SPEC
1 PLC	±0.1	108-19423
2 PLC	±0.05	APPLICATION SPEC
3 PLC	±0.025	-
4 PLC	±0.01	WEIGHT -
ANGLES	±2	
MATERIAL -	FINISH -	

STE TE Connectivity			
NAME 3.5mm AV connector, compressive, chamfered			
SIZE	CAGE CODE	DRAWING NO	RESTRICTED TO
A3	00779	C-2173014	-
CUSTOMER DRAWING		SCALE 5	SHEET 1 OF 3 REV A

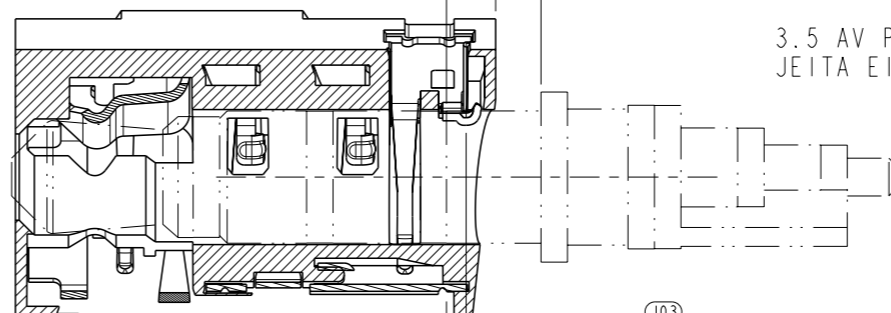
THIS DRAWING IS UNPUBLISHED. RELEASED FOR PUBLICATION

© COPYRIGHT - BY - ALL RIGHTS RESERVED.

LOC	DIST	REVISIONS			
P	LTR	DESCRIPTION	DATE	DWN	APVD
H	-	SEE SHEET 1	-	-	-

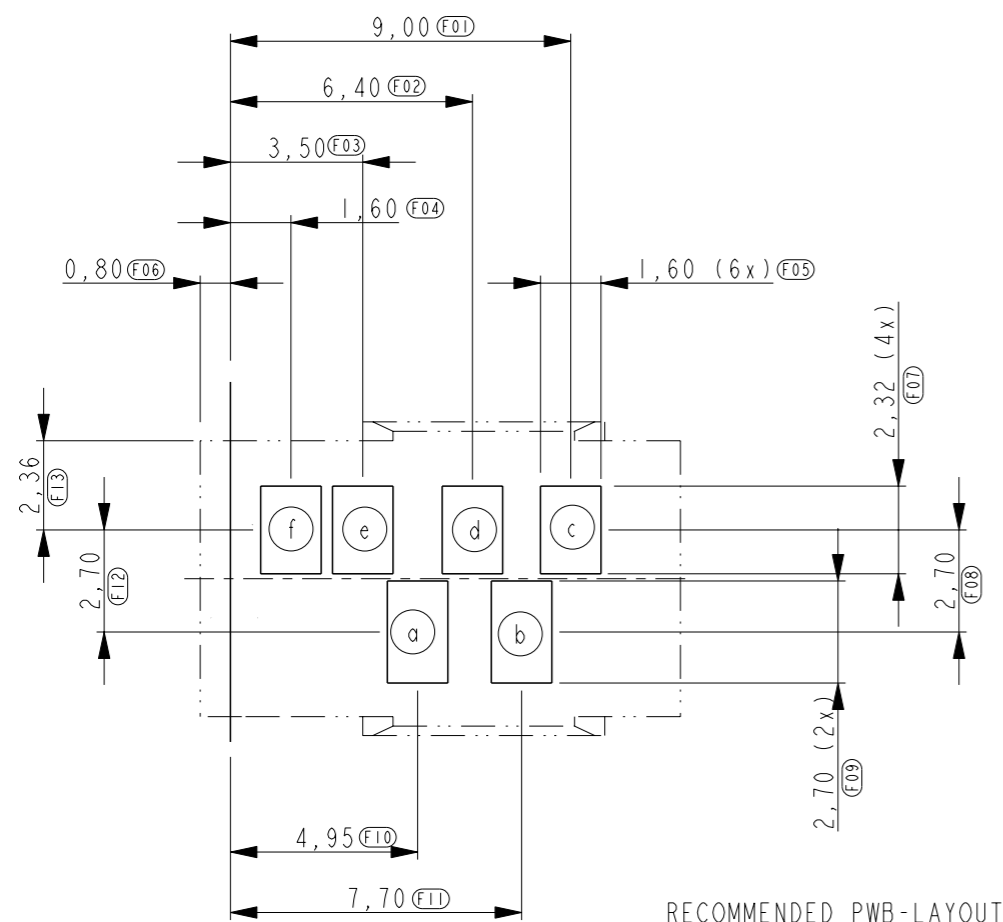
GROUNDING LENGTH 2,5±0,1

COVER THICKNESS 1,2±0,1

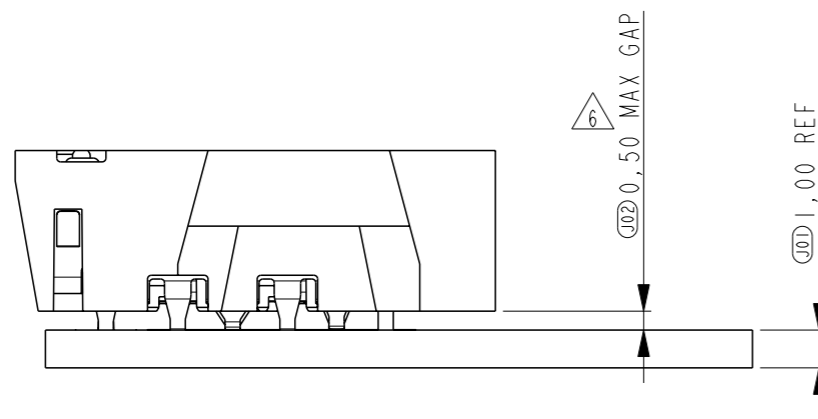
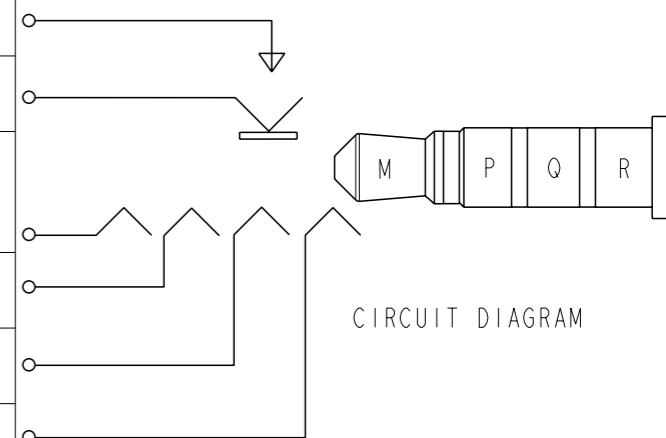


3.5 AV PLUG ACCORDING JEITA EIAJ RC-5325A

0,52±0,20

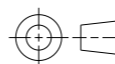


Plug Band	Layout No.	Contact No.
	b	6#
	a	5#
M	c	4#
P	d	3#
Q	e	2#
R	f	1#



THIS DRAWING IS A CONTROLLED DOCUMENT.

DIMENSIONS: mm



TOLERANCES UNLESS OTHERWISE SPECIFIED:

0 PLC	±
1 PLC	±0.1
2 PLC	±0.05
3 PLC	±0.025
4 PLC	±0.01
ANGLES	±2

MATERIAL -

FINISH -

DWN 12nov2010

M.Gosselink

CHK 12nov2010

M.Gosselink

APVD 12nov2010

D.Halberstadt

PRODUCT SPEC

108-19423

APPLICATION SPEC

-

WEIGHT -

-

CUSTOMER DRAWING

STE TE Connectivity

NAME 3.5mm AV connector, compressive, chamfered

SIZE A3 CAGE CODE 00779 DRAWING NO C-2173014 RESTRICTED TO -

SCALE 5 SHEET 2 OF 3 REV A

THIS DRAWING IS UNPUBLISHED.

RELEASED FOR PUBLICATION

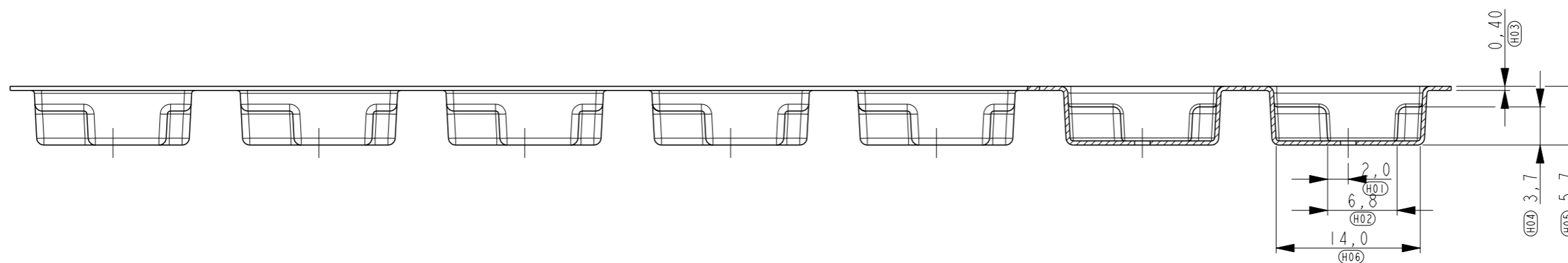
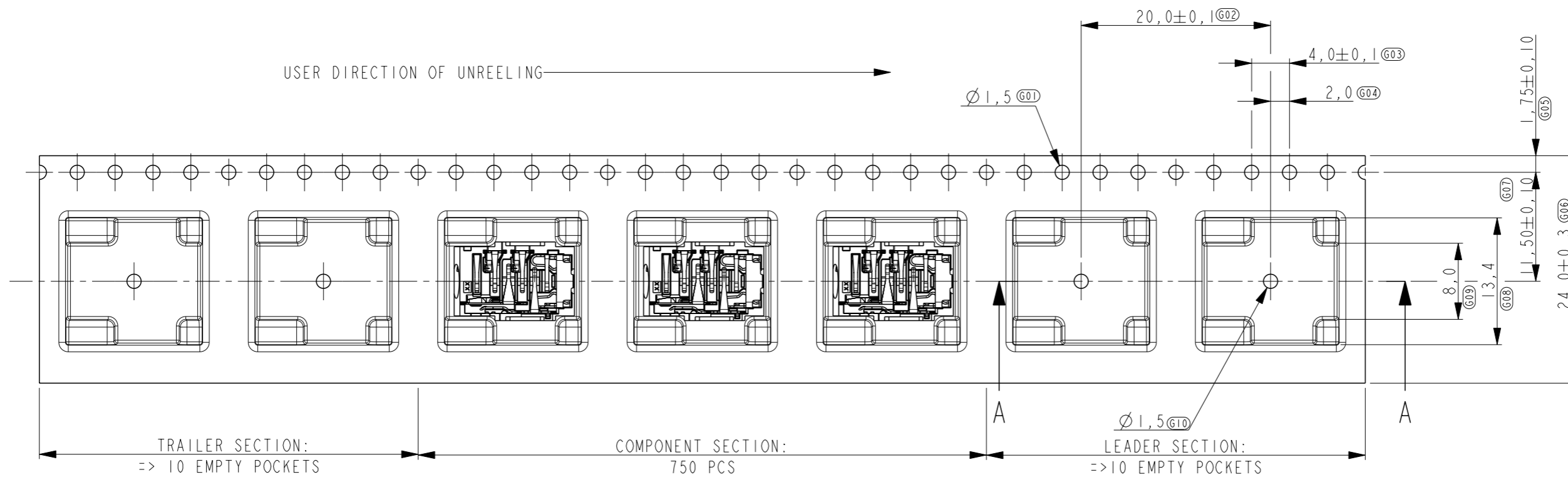
© COPYRIGHT - BY -

ALL RIGHTS RESERVED.

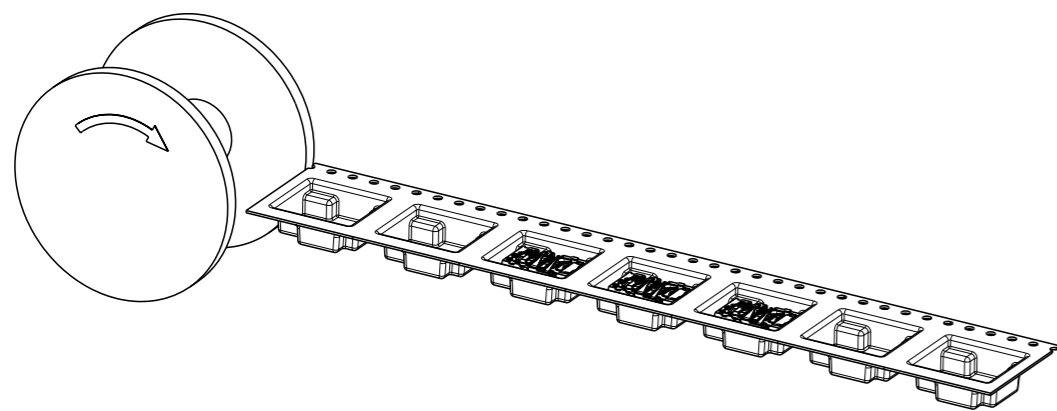
LOC	DIST	REVISIONS			
P	LTR	DESCRIPTION	DATE	DWN	APVD
H	-	SEE SHEET 1	-	-	-


PACKAGING QUANTITY		
PCS/REEL	REEL/BOX	PCS/BOX
750	8	6000

USER DIRECTION OF UNREELING →



SECTION A-A



THIS DRAWING IS A CONTROLLED DOCUMENT.		DWN M. Gosselink 12nov2010	 TE Connectivity		
DIMENSIONS: mm		CHK M. Gosselink 12nov2010			
TOLERANCES UNLESS OTHERWISE SPECIFIED:		APVD D. Halberstadt 12nov2010	NAME 3.5mm AV connector, compressive, chamfered		
0 PLC ±- 1 PLC ±0.1 2 PLC ±0.05 3 PLC ±0.025 4 PLC ±0.01 ANGLES ±2		PRODUCT SPEC 108-19423	RESTRICTED TO -		
MATERIAL -		FINISH -	SIZE A3	CAGE CODE 00779	DRAWING NO C-2173014
		WEIGHT -	SCALE 5		SHEET 3 OF 3
		CUSTOMER DRAWING	REV A		