



Chipsmall Limited consists of a professional team with an average of over 10 year of expertise in the distribution of electronic components. Based in Hongkong, we have already established firm and mutual-benefit business relationships with customers from,Europe,America and south Asia,supplying obsolete and hard-to-find components to meet their specific needs.

With the principle of “Quality Parts,Customers Priority,Honest Operation,and Considerate Service”,our business mainly focus on the distribution of electronic components. Line cards we deal with include Microchip,ALPS,ROHM,Xilinx,Pulse,ON,Everlight and Freescale. Main products comprise IC,Modules,Potentiometer,IC Socket,Relay,Connector.Our parts cover such applications as commercial,industrial, and automotives areas.

We are looking forward to setting up business relationship with you and hope to provide you with the best service and solution. Let us make a better world for our industry!



Contact us

Tel: +86-755-8981 8866 Fax: +86-755-8427 6832

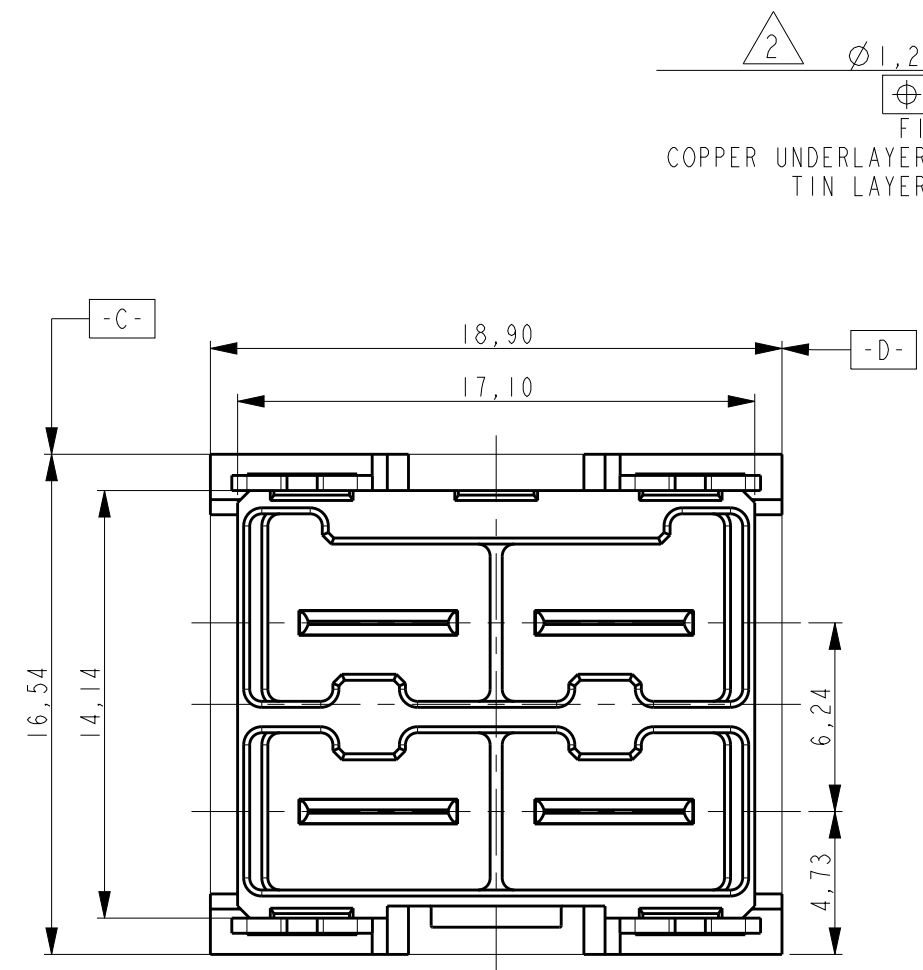
Email & Skype: info@chipsmall.com Web: www.chipsmall.com

Address: A1208, Overseas Decoration Building, #122 Zhenhua RD., Futian, Shenzhen, China

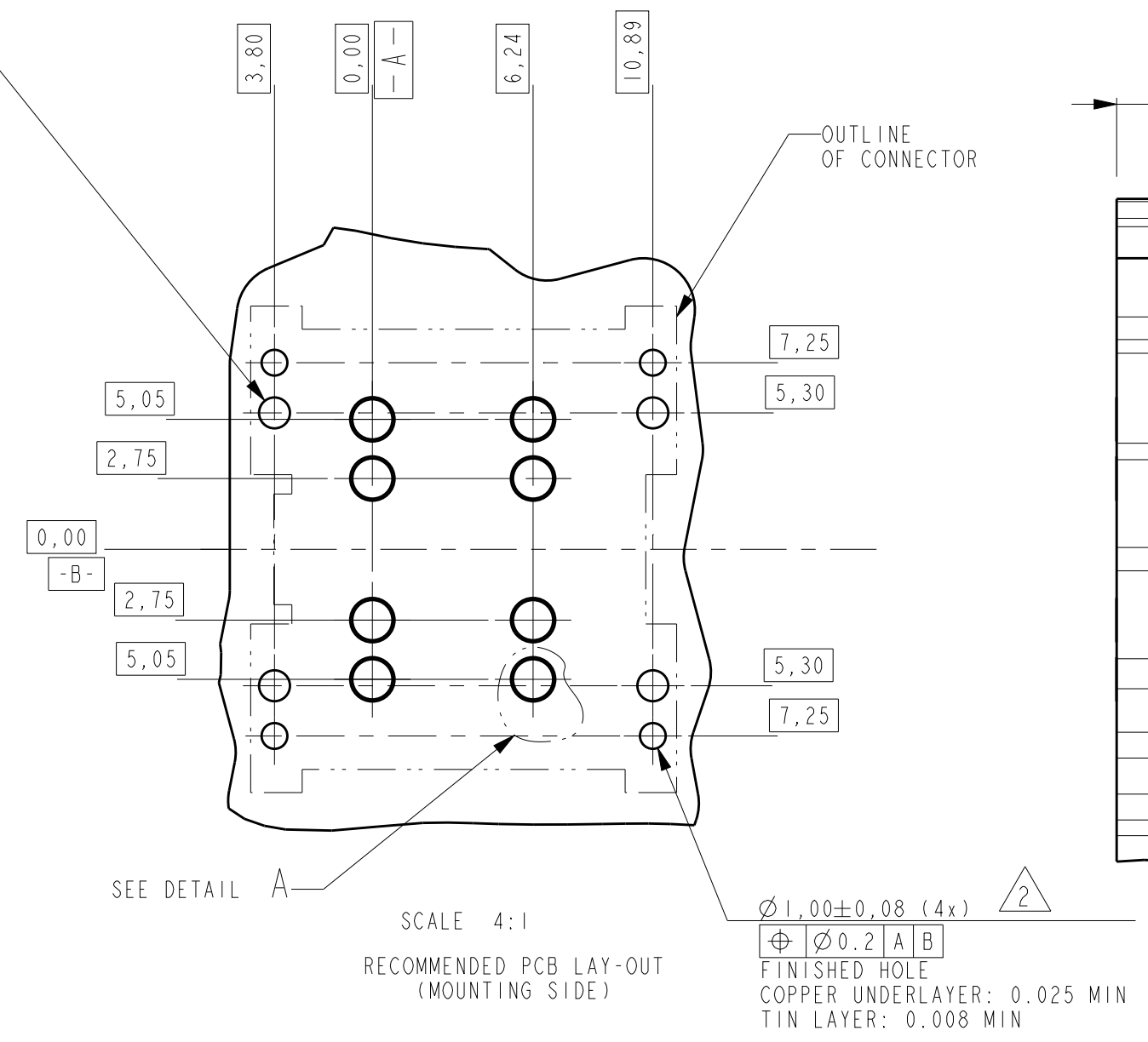


THIS DRAWING IS UNPUBLISHED. RELEASED FOR PUBLICATION
 BY TYCO ELECTRONICS CORPORATION ALL RIGHTS RESERVED.

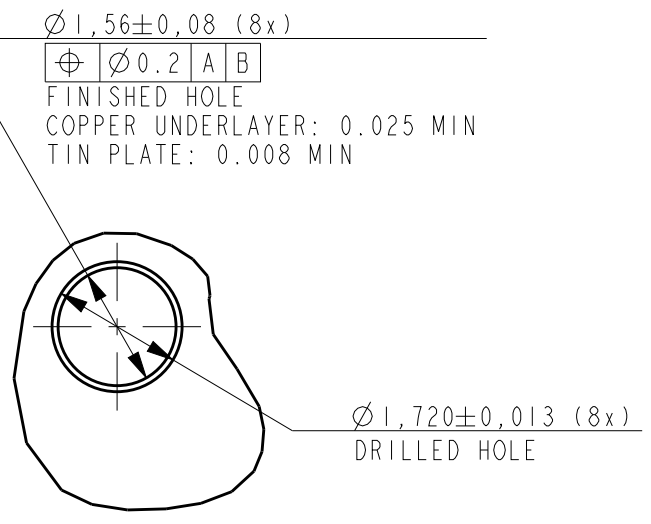
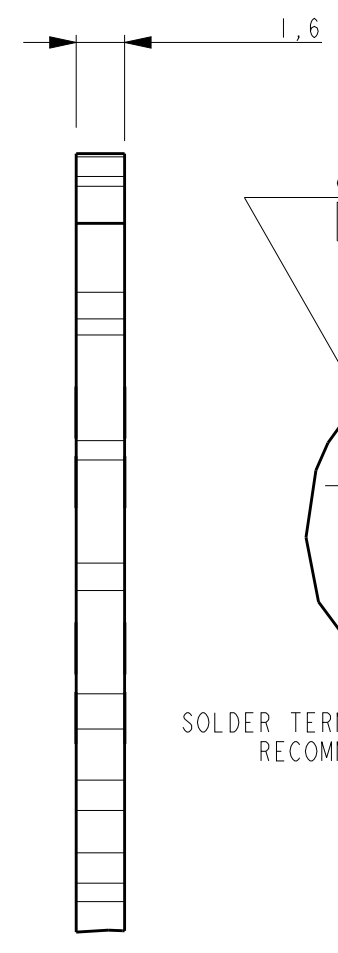
LOC		DIST		REVISIONS			
P	LTR	DESCRIPTION	DATE	DWN	APVD		
A		RELEASED	30 MAR 2013	JS	GV		
B		REV PER ECR-16-008504	15 JUL 2015	OL	SZ		
C		REV PER ECO-16-014060	30 DEC 2016	WY	SZ		



2 $\varnothing 1.20 \pm 0.08$ (4x)
 $\varnothing 0.2$ A | B
 FINISHED HOLE
 COPPER UNDERLAYER: 0.025 MIN
 TIN LAYER: 0.008 MIN



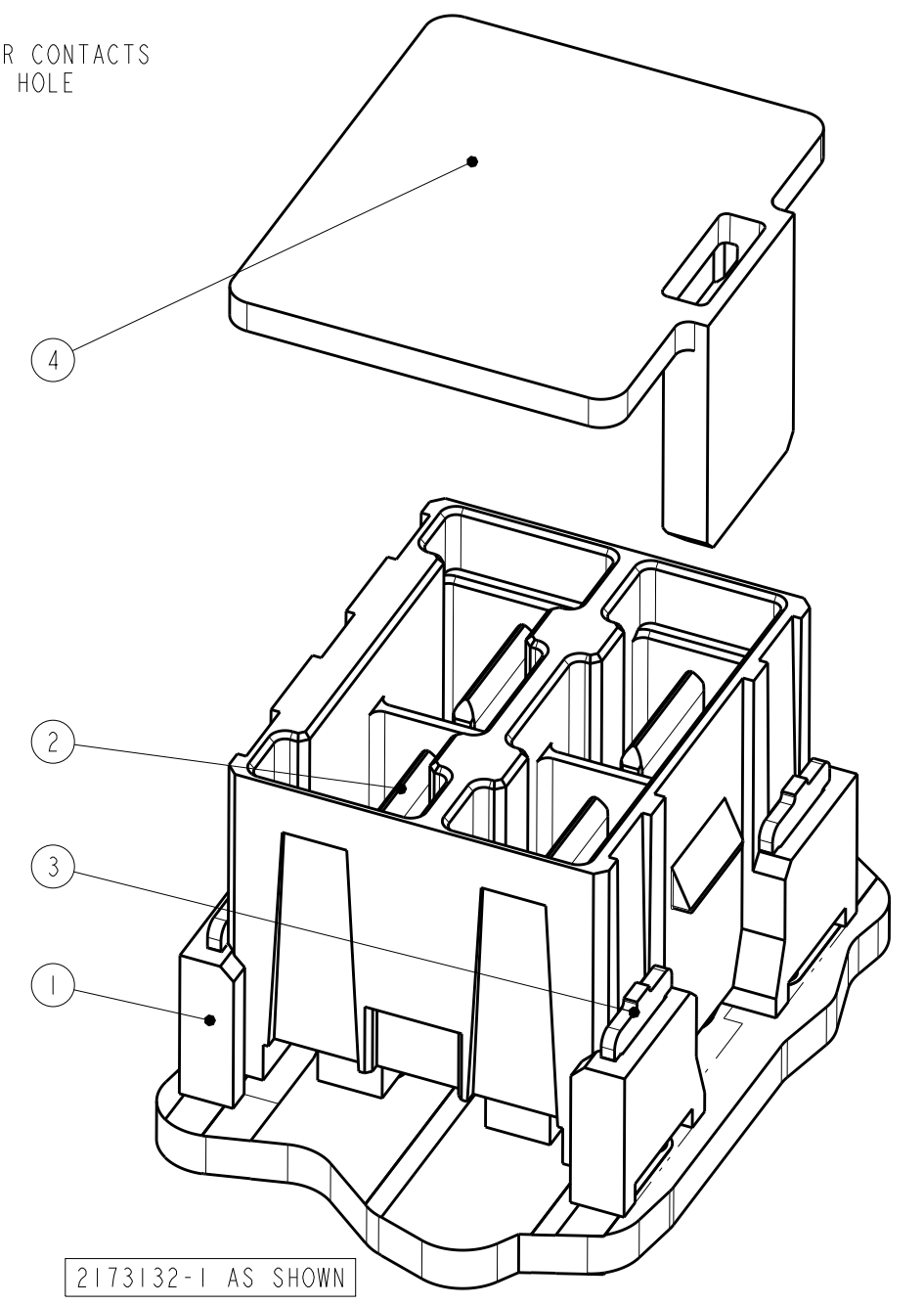
SCALE 4:1
 RECOMMENDED PCB LAY-OUT
 (MOUNTING SIDE)



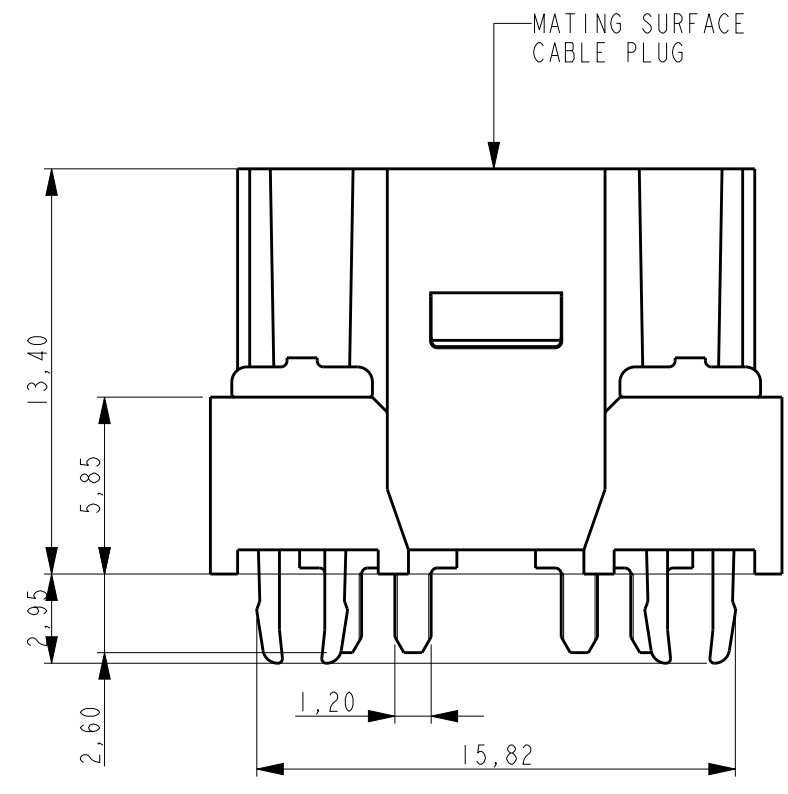
SOLDER TERMINATION AREA FOR POWER CONTACTS
 RECOMMENDED PRINTED CIRCUIT HOLE

DETAIL A
 SCALE 10:1

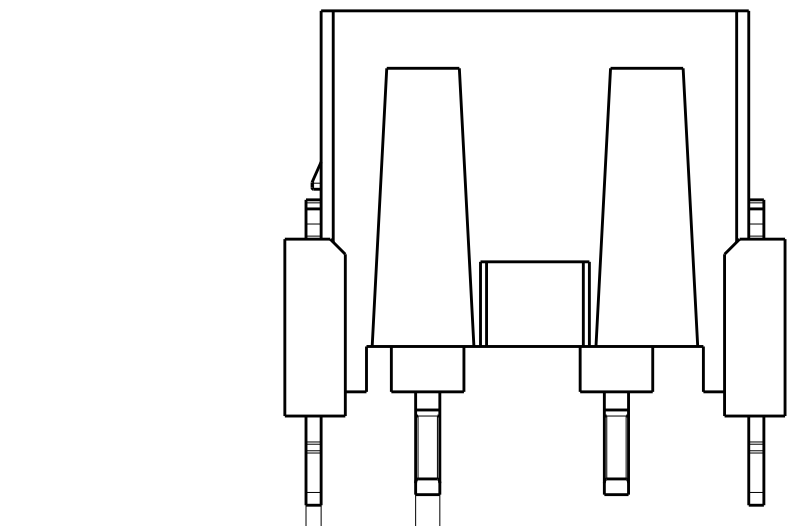
NOTES:
 1 PRINTING PARTNUMBER AND DATE CODE:
 2173132-X(X=1,2,...)
 YYWW
 2 OPTIONAL FOR PRESS FIT CONNECTOR -2



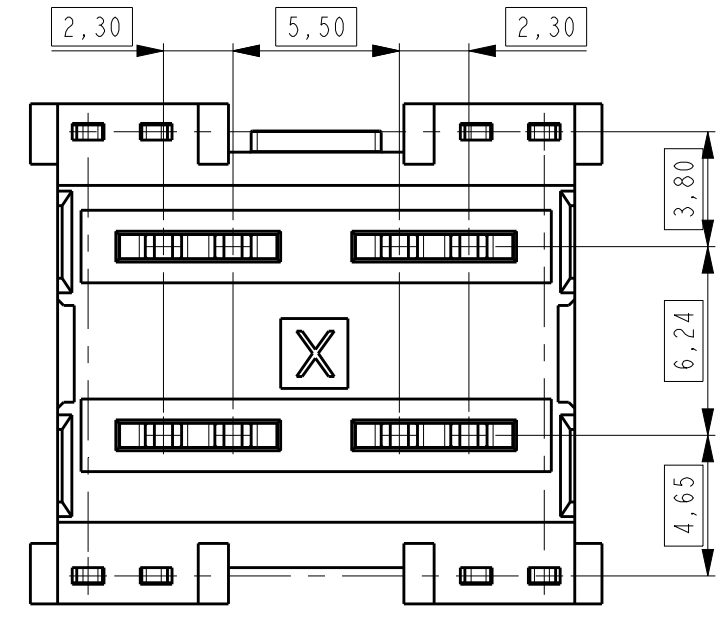
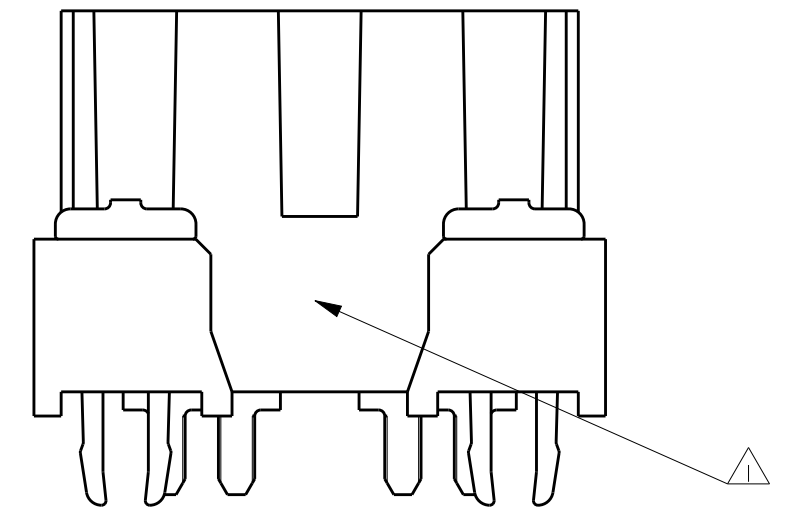
2173132-1 AS SHOWN



MATING SURFACE
 CABLE PLUG



0.50 ± 0.05 (8x)
 $\varnothing 0.2$ C | D
 0.80 ± 0.05 (8x)
 $\varnothing 0.2$ C | D



ITEM NO.	DESCRIPTION	MATERIAL	FINISH
4	PICK&PLACE ADAPTOR	POLYAMIDE	NOT APPLICABLE
3	HOLD DOWN	STEEL	5,0 μ m Sn MIN OVER 2,5 μ m Ni MIN ALL OVER.
2	CONTACT POWER TAB	COPPER ALLOY	3,0 μ m Ag min.
1	HOUSING	LCP GF UL94V-0	NOT APPLICABLE

THIS DRAWING IS A CONTROLLED DOCUMENT.

DWN	J. Smits	9 FEB 2012
CHK	B. Mooij	9 FEB 2012
APVD	I. de Boer	9 FEB 2012

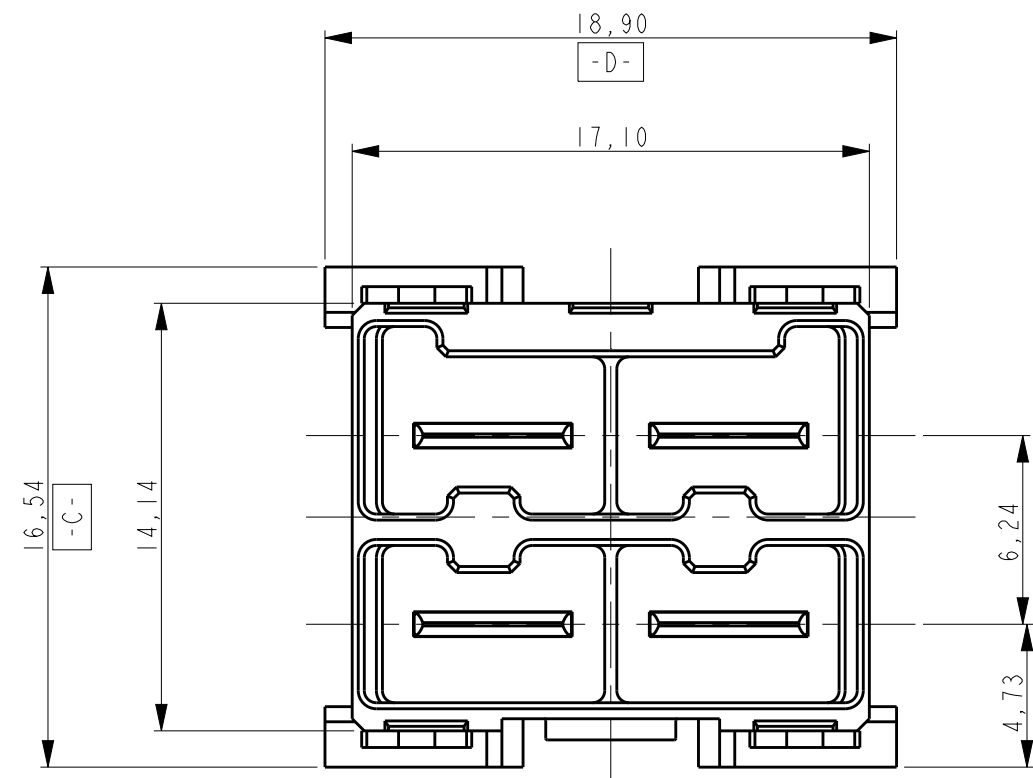
TE Connectivity

4 POS. POWER CONNECTOR STRAIGHT

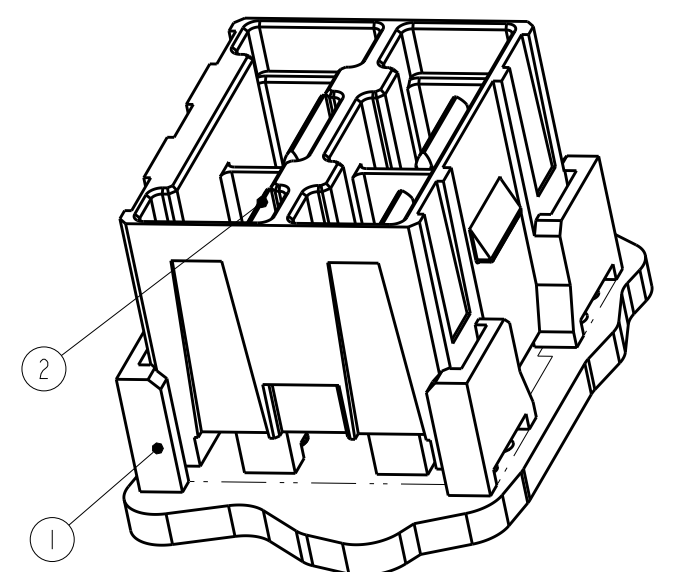
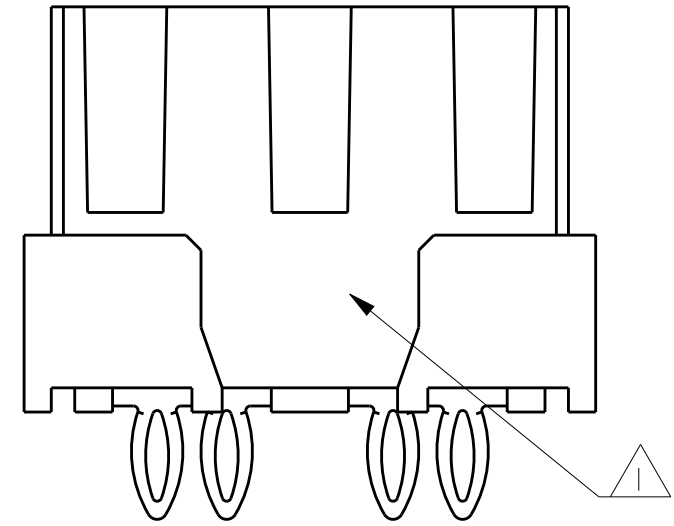
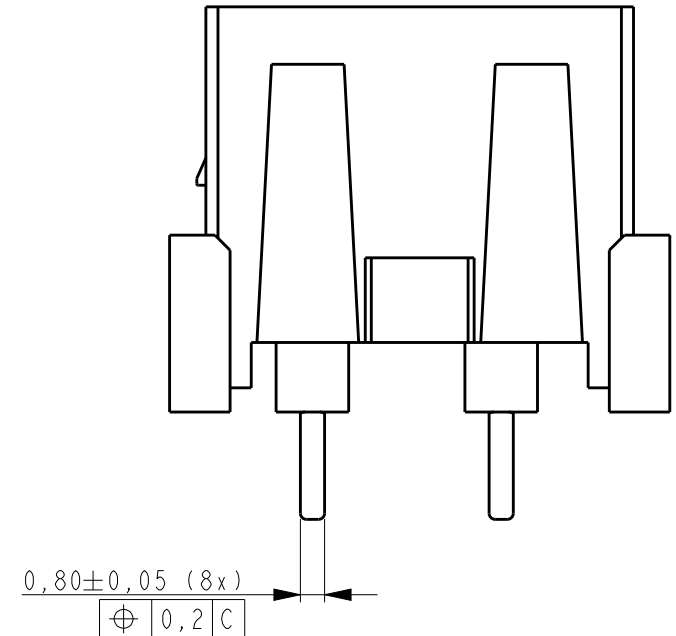
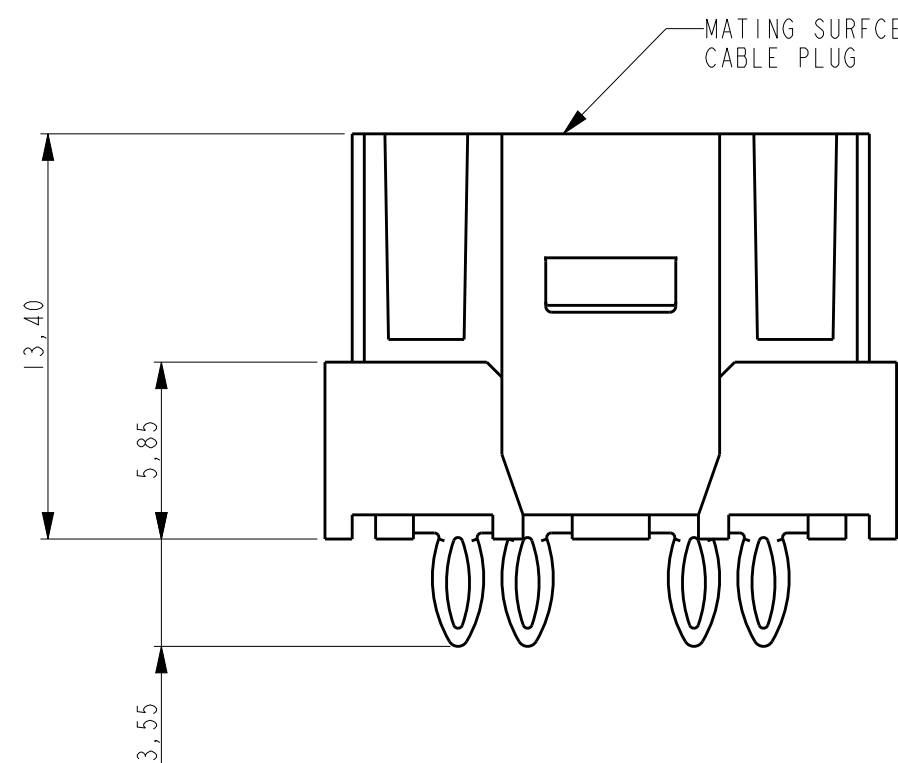
SIZE	A2	CAGE CODE	00779	DRAWING NO	C-2173132	RESTRICTED TO	-
CUSTOMER DRAWING		SCALE	5:1	SHEET	1 OF 2	REV	C

THIS DRAWING IS UNPUBLISHED. RELEASED FOR PUBLICATION
 © COPYRIGHT - BY TYCO ELECTRONICS CORPORATION ALL RIGHTS RESERVED.

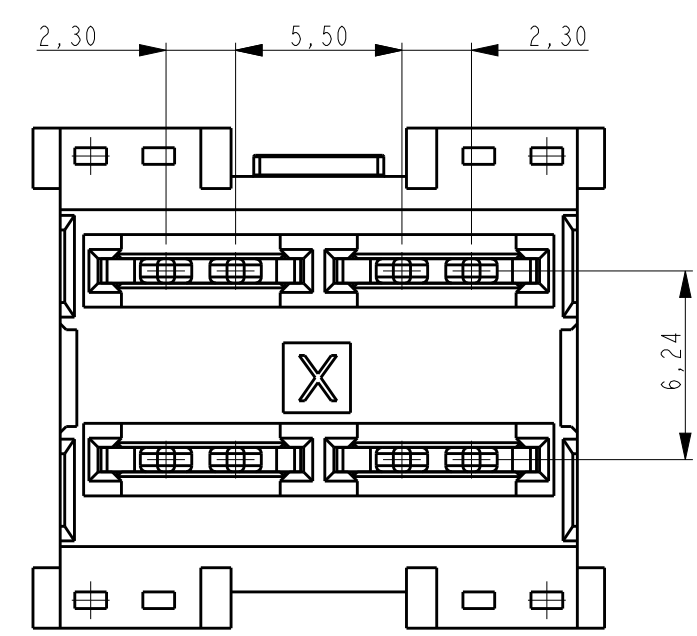
LOC		DIST		REVISIONS			
P	LTR	DESCRIPTION	DATE	DWN	APVD		



PCB LAYOUT, PLEASE REFER TO SHEET 1 AND NOTE 2 IS APPLIED TO THIS PART OF -2



2173132-2 AS SHOWN



2	CONTACT POWER TAB	COPPER ALLOY	3,0µm Ag min.
1	HOUSING	LCP GF UL94V-0	NOT APPLICABLE
ITEM NO.	DESCRIPTION	MATERIAL	FINISH

THIS DRAWING IS A CONTROLLED DOCUMENT.

DWN	J. Smits	9 FEB 2012
CHK	B. Mooij	9 FEB 2012
APVD	I. de Boer	9 FEB 2012

STE TE Connectivity

NAME: 4 POS. POWER CONNECTOR STRAIGHT

SIZE	CAGE CODE	DRAWING NO	RESTRICTED TO
A2	00779	C-2173132	-

MATERIAL: material_2 FINISH: finish_spec_2 WEIGHT: - SCALE: 5:1 SHEET: 2 OF 2 REV: C