



Chipsmall Limited consists of a professional team with an average of over 10 year of expertise in the distribution of electronic components. Based in Hongkong, we have already established firm and mutual-benefit business relationships with customers from,Europe,America and south Asia,supplying obsolete and hard-to-find components to meet their specific needs.

With the principle of "Quality Parts,Customers Priority,Honest Operation,and Considerate Service",our business mainly focus on the distribution of electronic components. Line cards we deal with include Microchip,ALPS,ROHM,Xilinx,Pulse,ON,Everlight and Freescale. Main products comprise IC,Modules,Potentiometer,IC Socket,Relay,Connector.Our parts cover such applications as commercial,industrial, and automotives areas.

We are looking forward to setting up business relationship with you and hope to provide you with the best service and solution. Let us make a better world for our industry!



Contact us

Tel: +86-755-8981 8866 Fax: +86-755-8427 6832

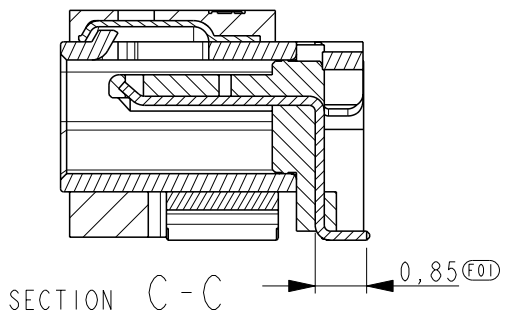
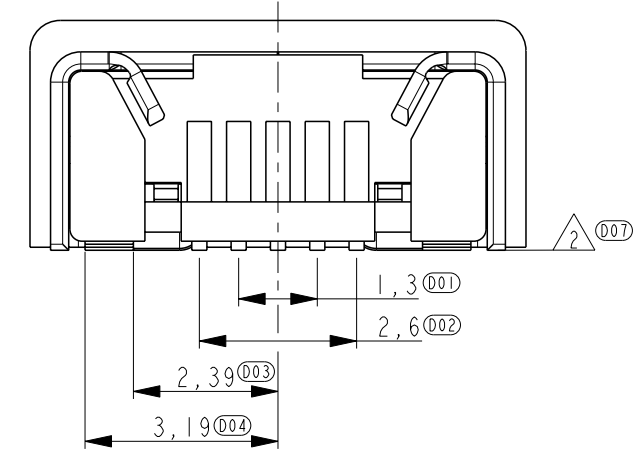
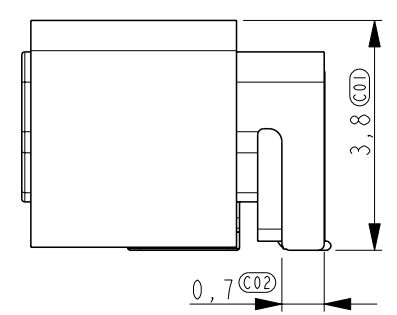
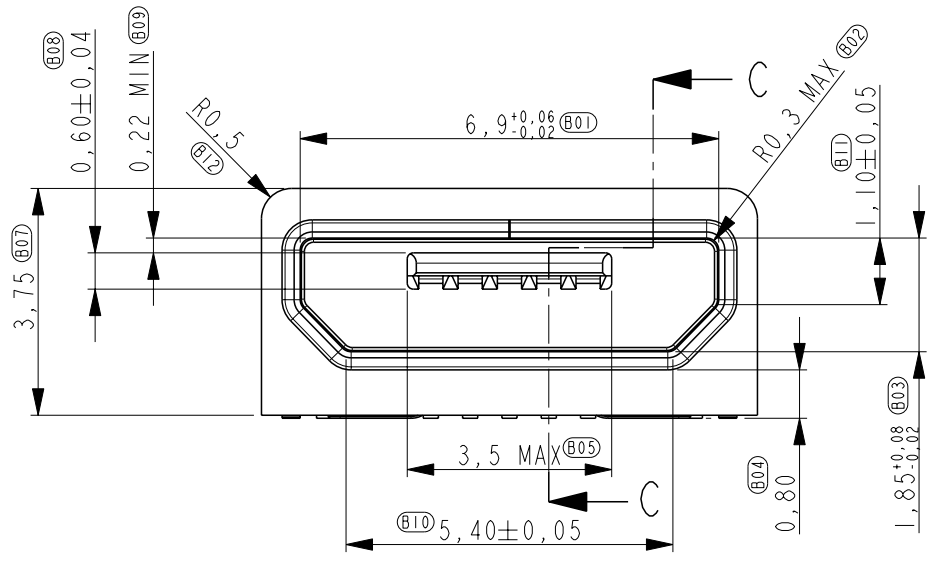
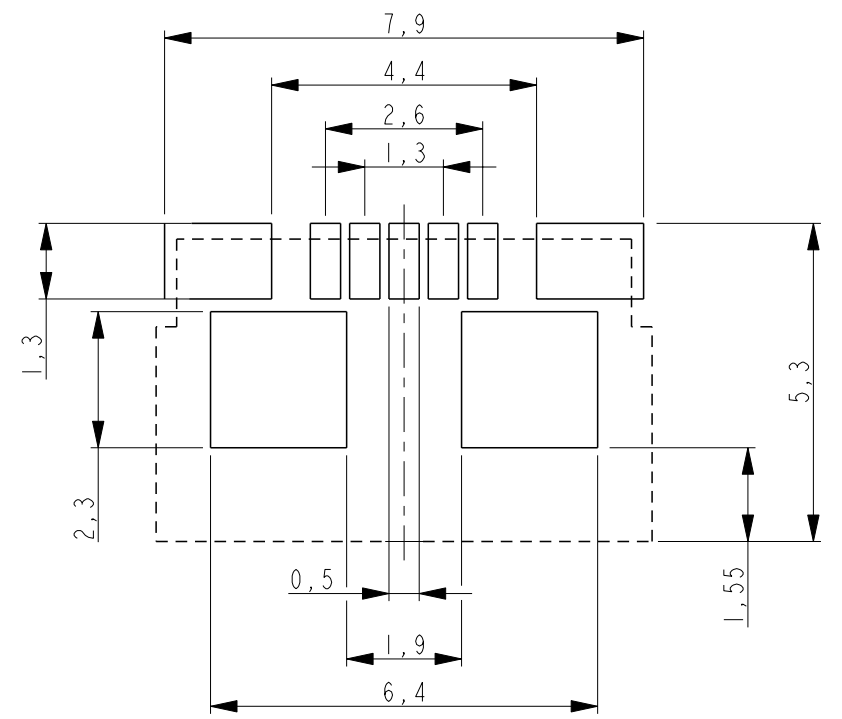
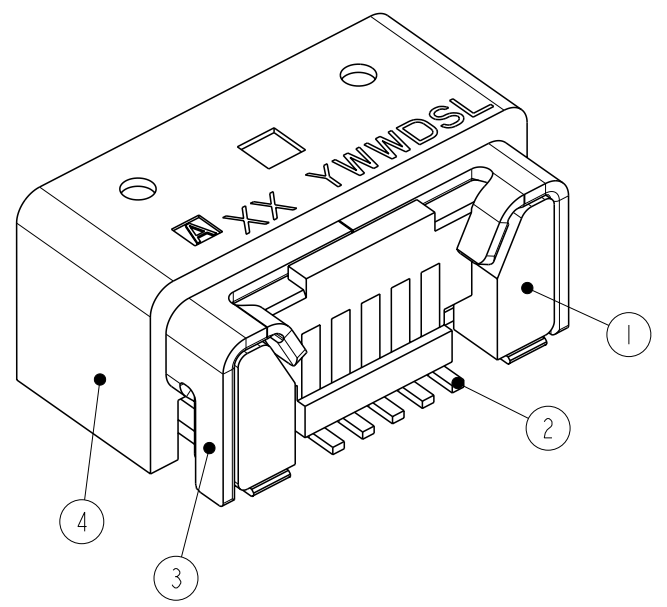
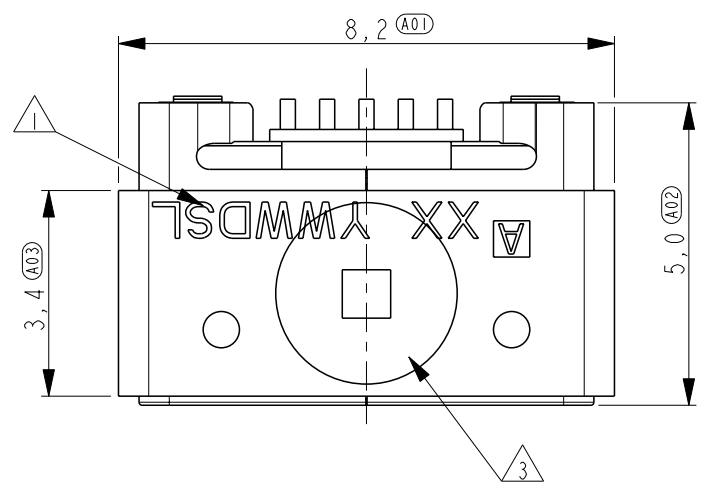
Email & Skype: info@chipsmall.com Web: www.chipsmall.com

Address: A1208, Overseas Decoration Building, #122 Zhenhua RD., Futian, Shenzhen, China



THIS DRAWING IS UNPUBLISHED. RELEASED FOR PUBLICATION 20
 © COPYRIGHT 20 ALL RIGHTS RESERVED.

LOC		DIST		REVISIONS			
P	LTR	DESCRIPTION	DATE	DWN	APVD		
-	-	-	-	-	-		
	A	ECR-13-009111	04JUN2013	WJ	DH		
	AI	ECR-13-013822	02SEP2013	JvH	DH		



TE PN: 2173157-2

TE PN FOR LOW MOQ: 2173157-3


NOTES:

- △ VERSION: XX, PRODUCTION DATE: YWWD, SHIFT CODE: S, PRODUCTION LINE NO: L.
- △ COPLANARITY OF 11 SOLDER SURFACES 0,08 MAX.
- △ PICK AND PLACE AREA Ø3

ITEM NO.	DESCRIPTION	MATERIAL	FINISH
4	SLEEVE	LCP	
3	SHELL	STAINLESS STEEL	Tin over Nickel plating
2	CONTACT	COPPER ALLOY	Gold over Nickel plating
1	HOUSING	LCP	

THIS DRAWING IS A CONTROLLED DOCUMENT.

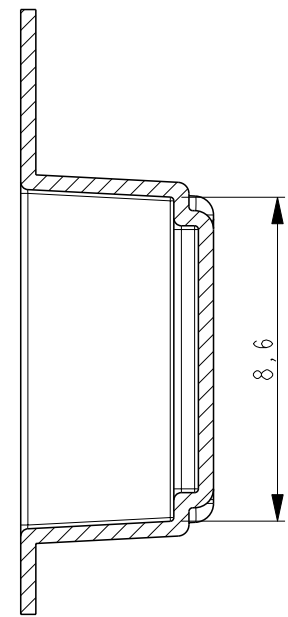
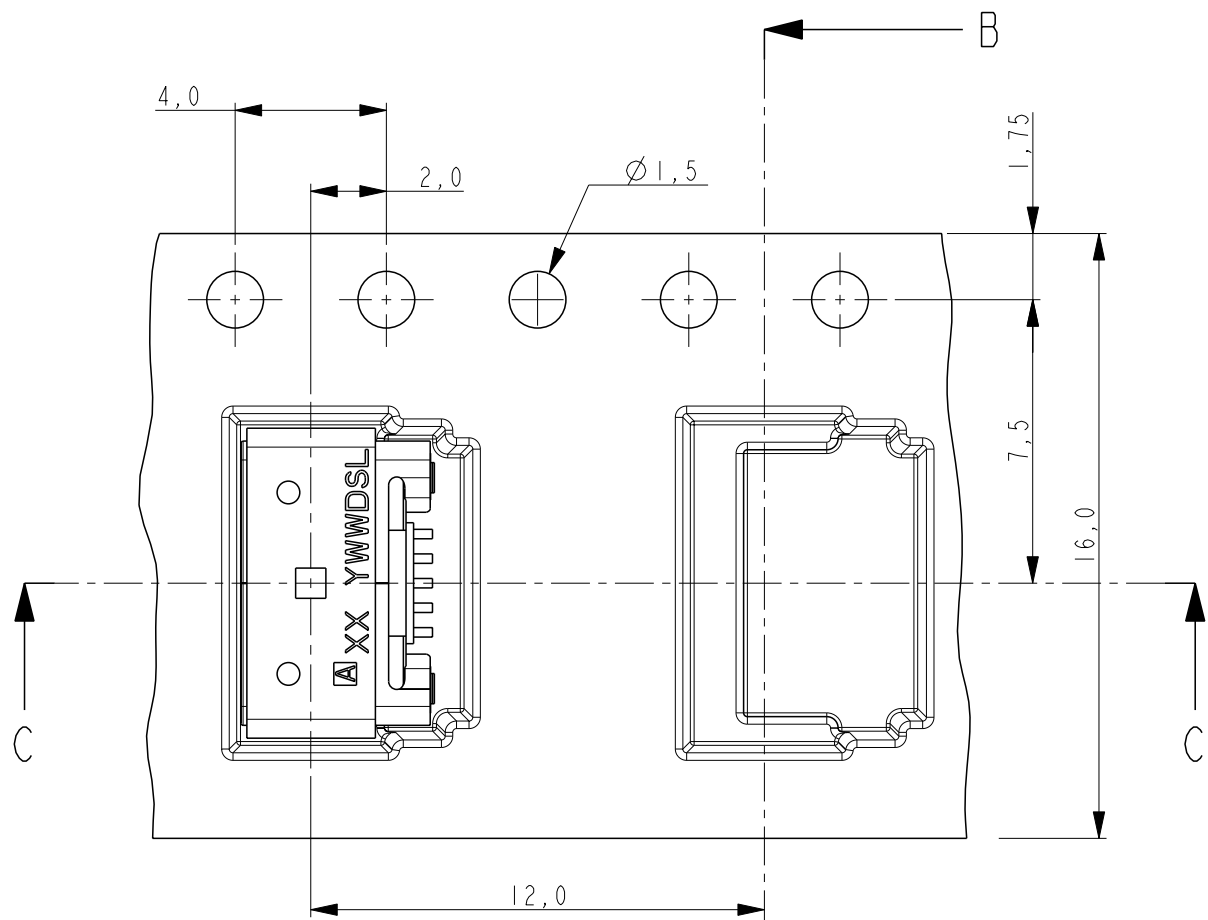
DIMENSIONS:	TOLERANCES UNLESS OTHERWISE SPECIFIED:
mm	
	0 PLC ±0,2
	1 PLC ±0,1
	2 PLC ±0,1
	3 PLC ±0,025
	4 PLC ±0,001
	ANGLES ±2°
MATERIAL	FINISH

DWN W. Jansen 17MAY2011	 TE Connectivity	NAME SPLASH-PROOF MICRO USB B-TYPE 0,8 mm OFFSET		
CHK W. Jansen 17MAY2011				
APVD D. Halberstadt 17MAY2011				
PRODUCT SPEC 108-19460				
APPLICATION SPEC -	SIZE A3	CAGE CODE 00779	DRAWING NO C-2173157	RESTRICTED TO -
WEIGHT 0,33	SCALE 8:1	SHEET 1	OF 3	REV A1

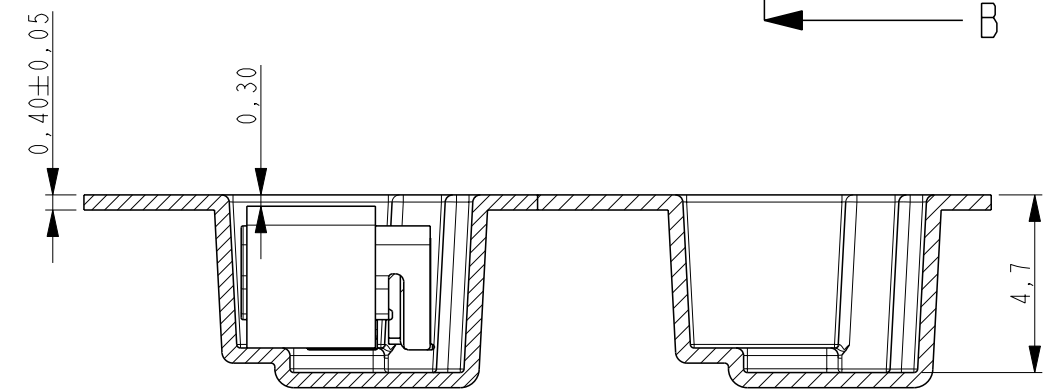
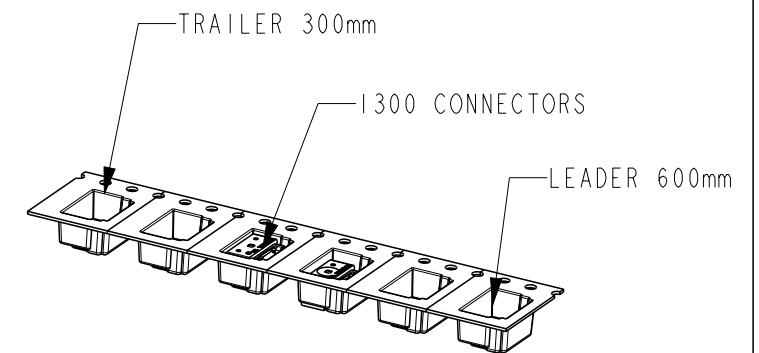
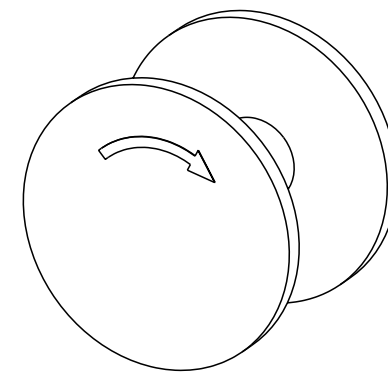
0,10 REF (E06)

0,25 (E05)

LOC	DIST	REVISIONS			
P	LTR	DESCRIPTION	DATE	DWN	APVD
-	-	SEE SHEET 1	-	-	-


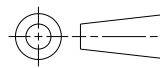


SECTION B-B

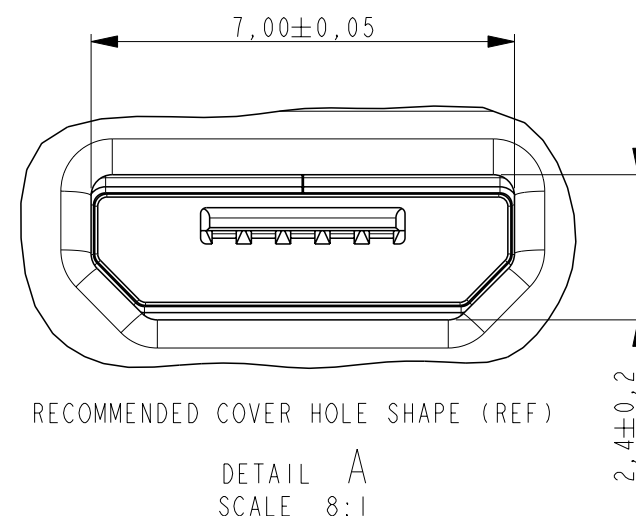
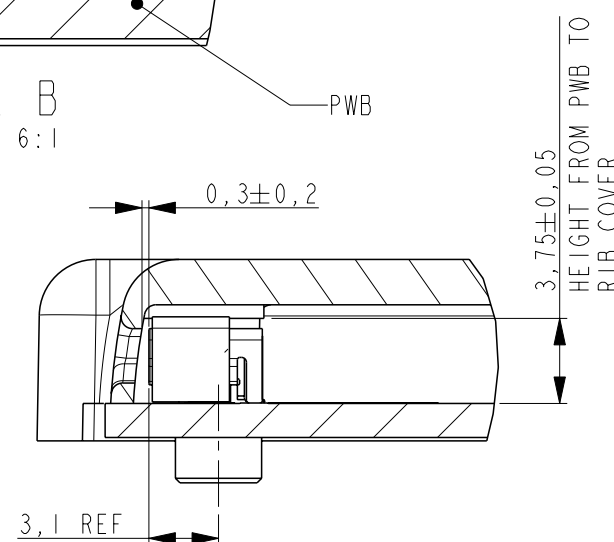
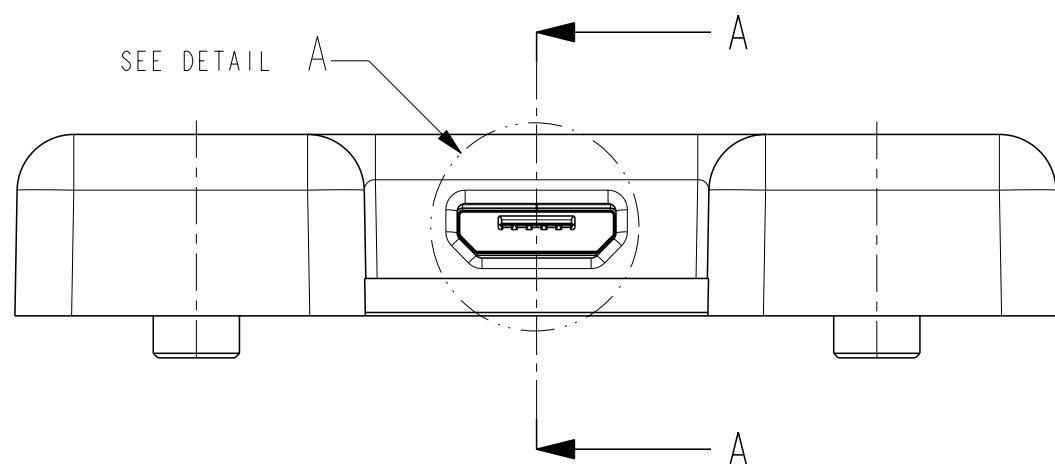
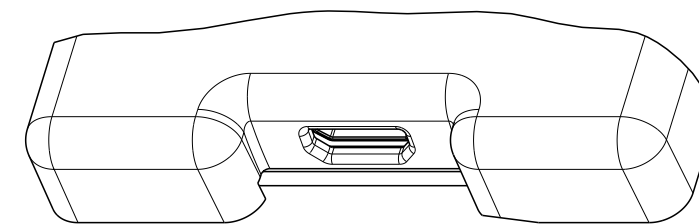
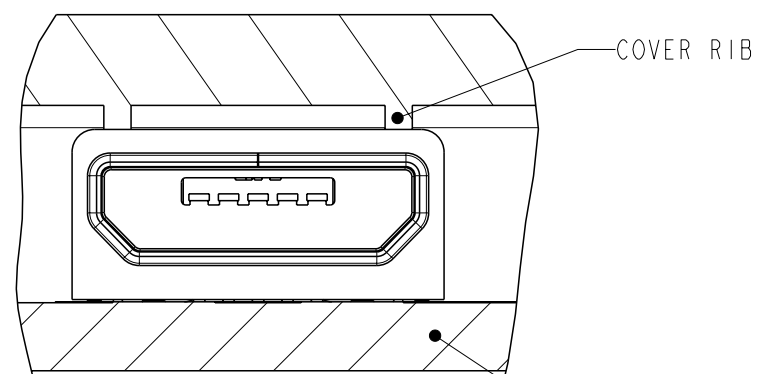
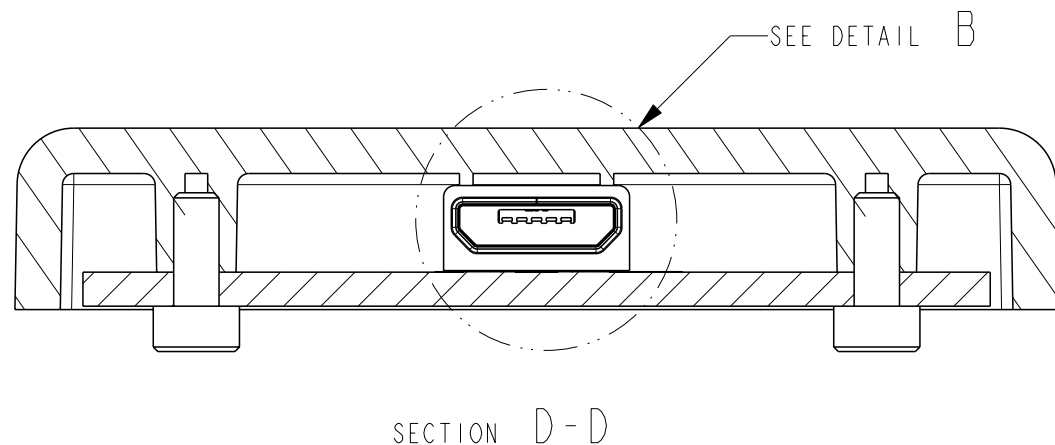


SECTION C-C

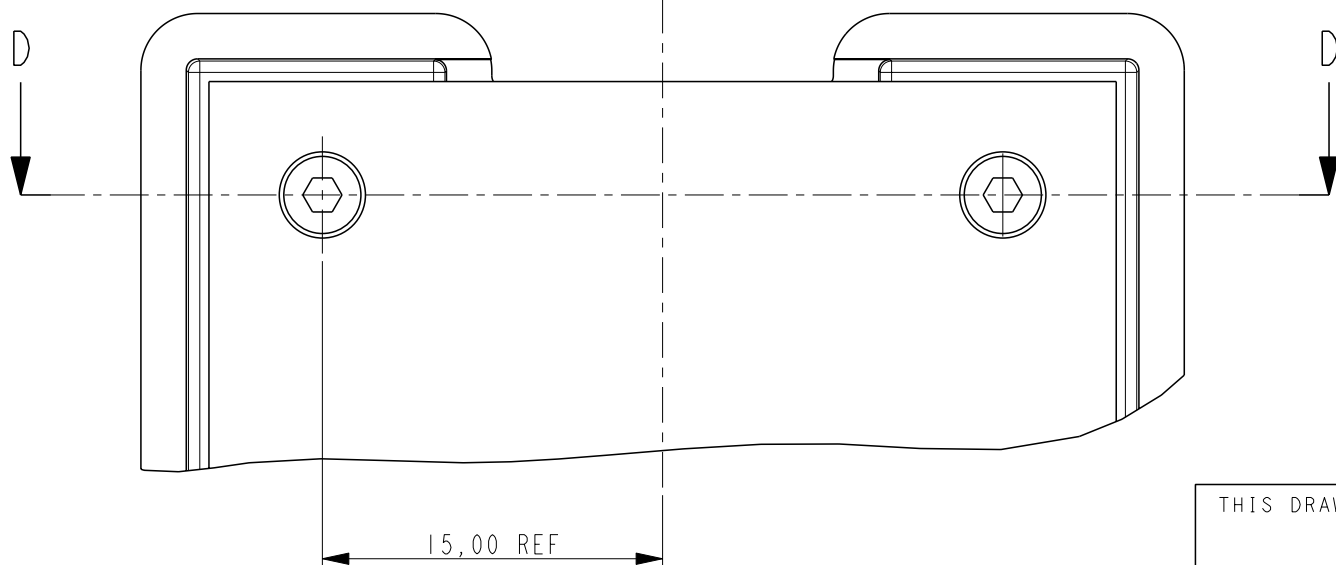
NOTES:
COVER, EMBOSS TAPE AND REEL ACCODING EIA STANDARD 481-D

THIS DRAWING IS A CONTROLLED DOCUMENT.		DWN W. Jansen 17MAY2011	 TE Connectivity					
DIMENSIONS: mm		CHK W. Jansen 17MAY2011				NAME SPLASH-PROOF MICRO USB B-TYPE 0,8 mm OFFSET		
		APVD D. Halberstadt 17MAY2011				PRODUCT SPEC 108-19460		
TOLERANCES UNLESS OTHERWISE SPECIFIED:		PRODUCT SPEC -				APPLICATION SPEC -		
MATERIAL -		FINISH -	WEIGHT 0,33	SIZE A3	CAGE CODE 00779	DRAWING NO C-2173157	RESTRICTED TO -	
Customer Drawing			SCALE 8:1	SHEET 2	OF 3	REV A1		

P	LTR	DESCRIPTION	DATE	DWN	APVD
-	-	SEE SHEET 1	-	-	-



RECOMMENDED PWB AND COVER ASSEMBLY (REF)



THIS DRAWING IS A CONTROLLED DOCUMENT.

DIMENSIONS: mm	
MATERIAL -	

TOLERANCES UNLESS OTHERWISE SPECIFIED:	
0 PLC	±0,2
1 PLC	±0,1
2 PLC	±0,1
3 PLC	±0,025
4 PLC	±0,001
ANGLES	±2°
FINISH	-

DWN	W. Jansen	17MAY2011
CHK	W. Jansen	17MAY2011
APVD	D. Halberstadt	17MAY2011
PRODUCT SPEC	108-19460	
APPLICATION SPEC	-	
WEIGHT	0,33	
Customer Drawing		

		TE Connectivity	
NAME SPLASH-PROOF MICRO USB B-TYPE 0,8 mm OFFSET			
SIZE	CAGE CODE	DRAWING NO	RESTRICTED TO
A3	00779	C-2173157	-
SCALE 8:1		SHEET 3 OF 3	REV A1