



Chipsmall Limited consists of a professional team with an average of over 10 year of expertise in the distribution of electronic components. Based in Hongkong, we have already established firm and mutual-benefit business relationships with customers from,Europe,America and south Asia,supplying obsolete and hard-to-find components to meet their specific needs.

With the principle of “Quality Parts,Customers Priority,Honest Operation,and Considerate Service”,our business mainly focus on the distribution of electronic components. Line cards we deal with include Microchip,ALPS,ROHM,Xilinx,Pulse,ON,Everlight and Freescale. Main products comprise IC,Modules,Potentiometer,IC Socket,Relay,Connector.Our parts cover such applications as commercial,industrial, and automotives areas.

We are looking forward to setting up business relationship with you and hope to provide you with the best service and solution. Let us make a better world for our industry!



## Contact us

Tel: +86-755-8981 8866 Fax: +86-755-8427 6832

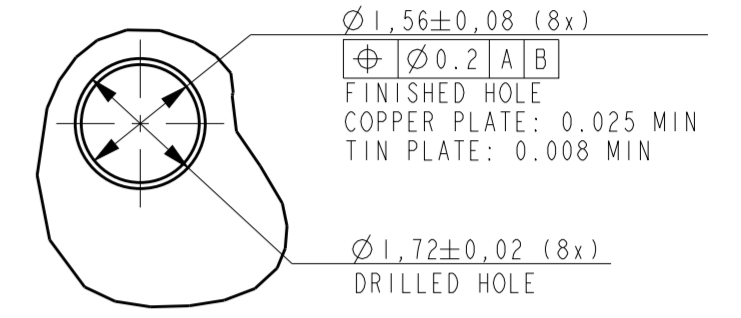
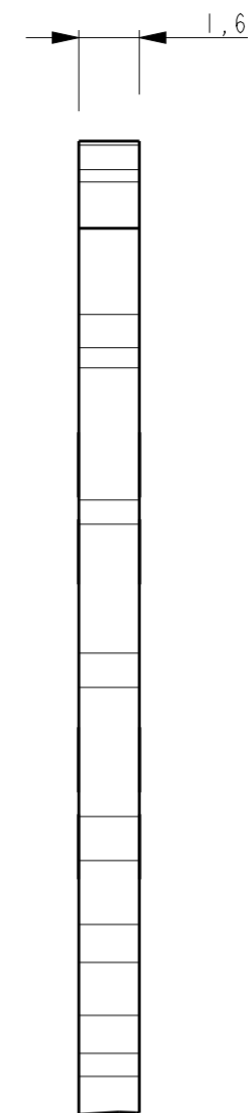
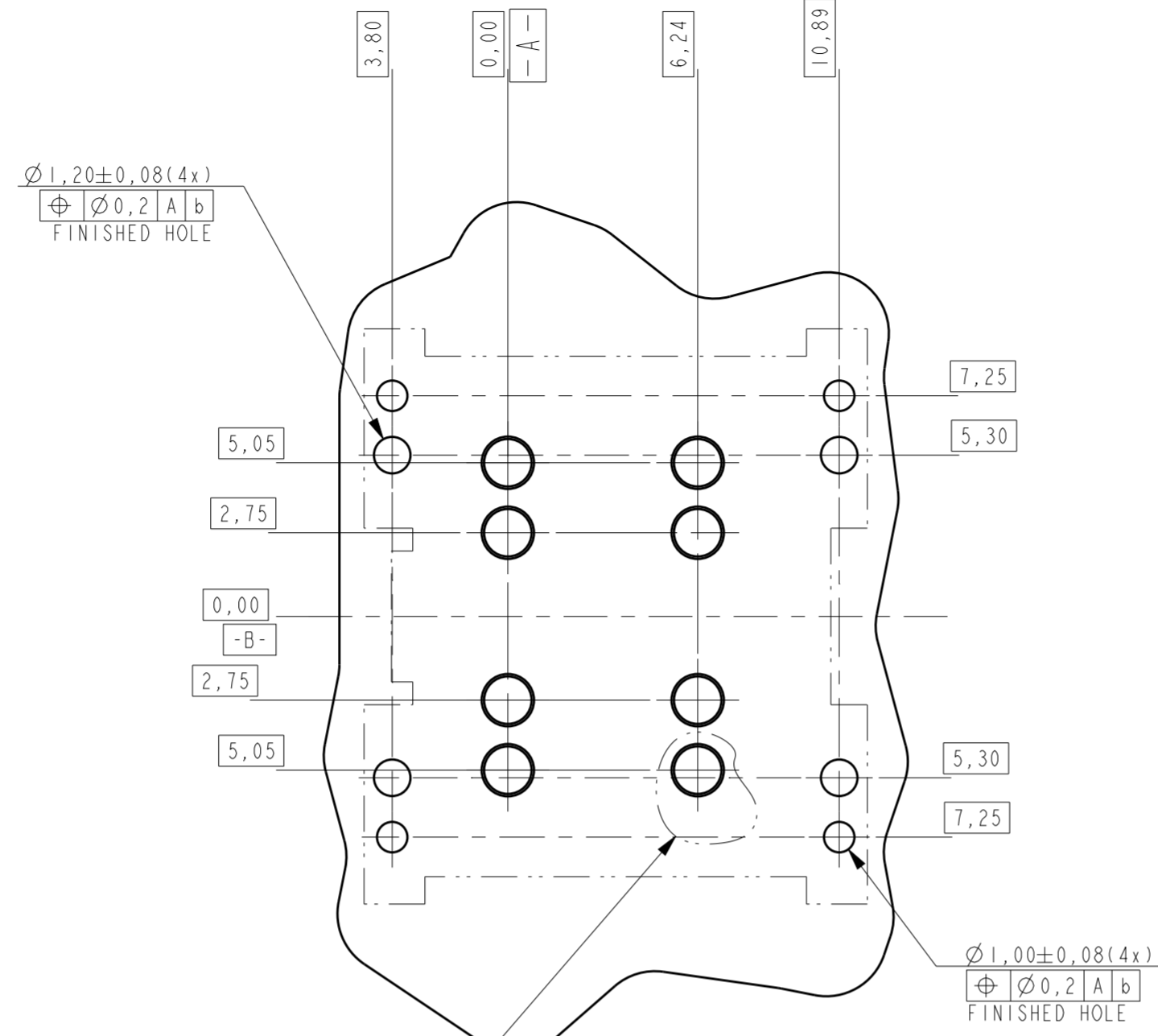
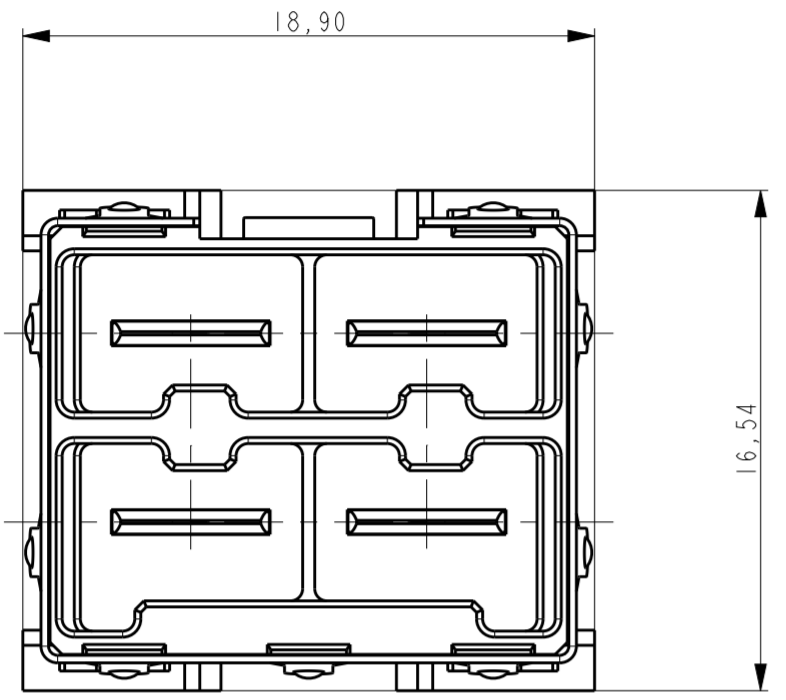
Email & Skype: info@chipsmall.com Web: www.chipsmall.com

Address: A1208, Overseas Decoration Building, #122 Zhenhua RD., Futian, Shenzhen, China



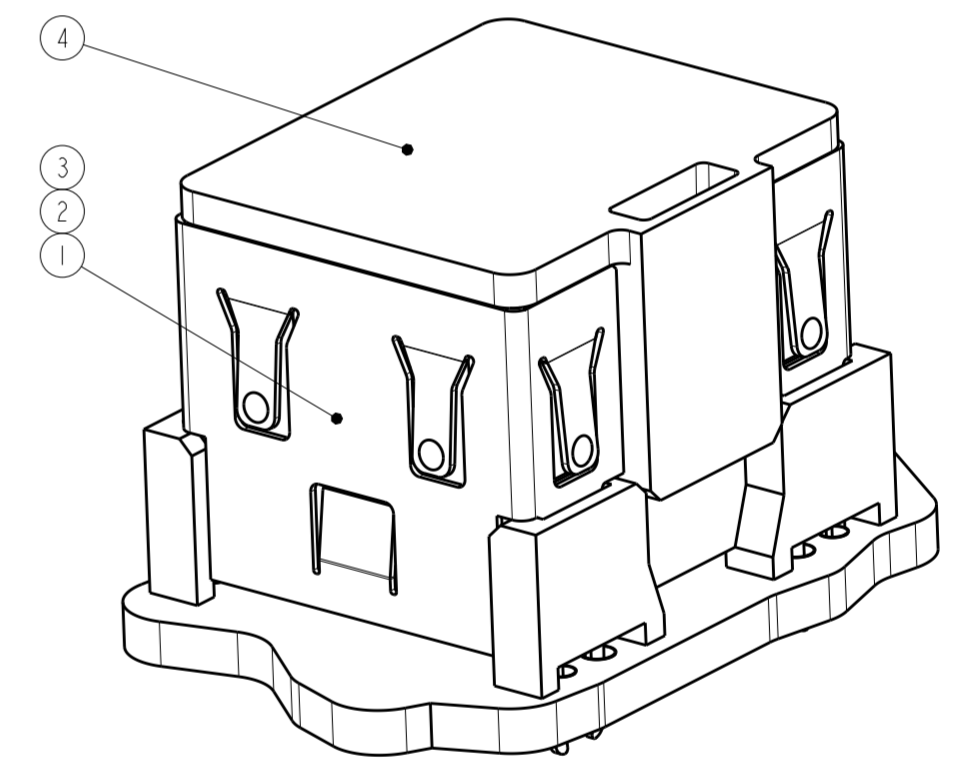
THIS DRAWING IS UNPUBLISHED. RELEASED FOR PUBLICATION  
 © COPYRIGHT - BY TYCO ELECTRONICS CORPORATION ALL RIGHTS RESERVED.

| LOC | DIST | REVISIONS                  |           |      |      |
|-----|------|----------------------------|-----------|------|------|
| P   | LTR  | DESCRIPTION                | DATE      | DWN  | APVD |
| A   |      | RELEASED PER ECR-12-015155 | 31OCT2012 | JvdH | TdB  |
| AI  |      | REV PER ECR-16-010984      | 01AUG2016 | OL   | SZ   |
| B   |      | REV PER ECO-16-014060      | 30DEC2016 | WY   | SZ   |

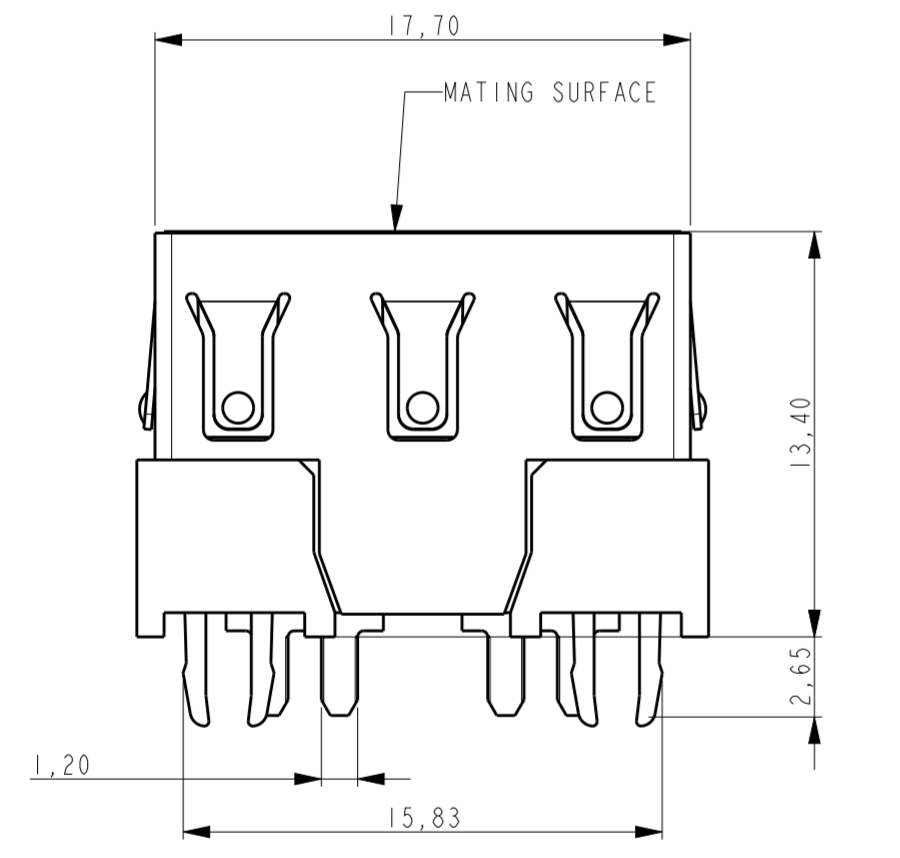


SOLDER TERMINATION AREA FOR POWER AND SHIELDING CONTACTS RECOMMENDED PRINTED CIRCUIT HOLE  
 DETAIL A  
 SCALE 10:1

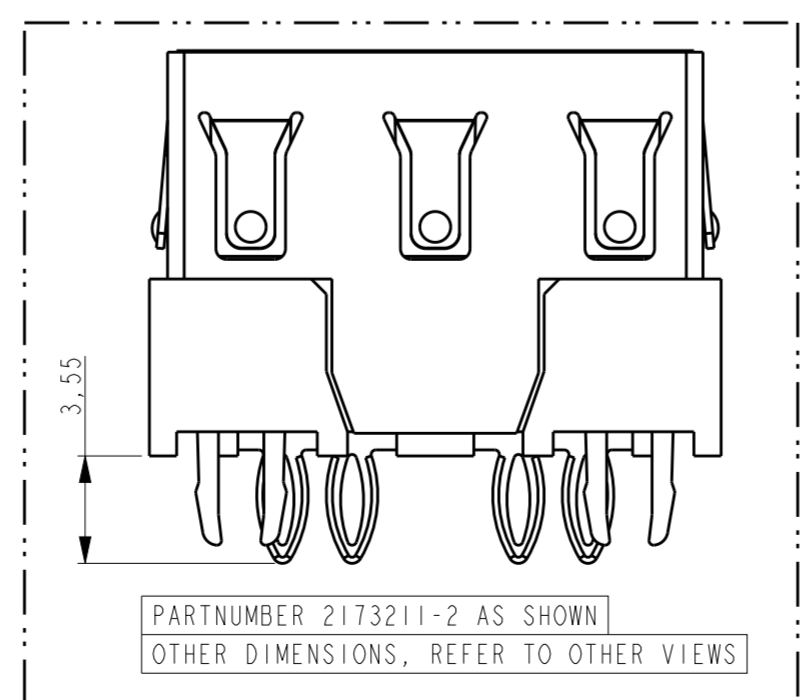
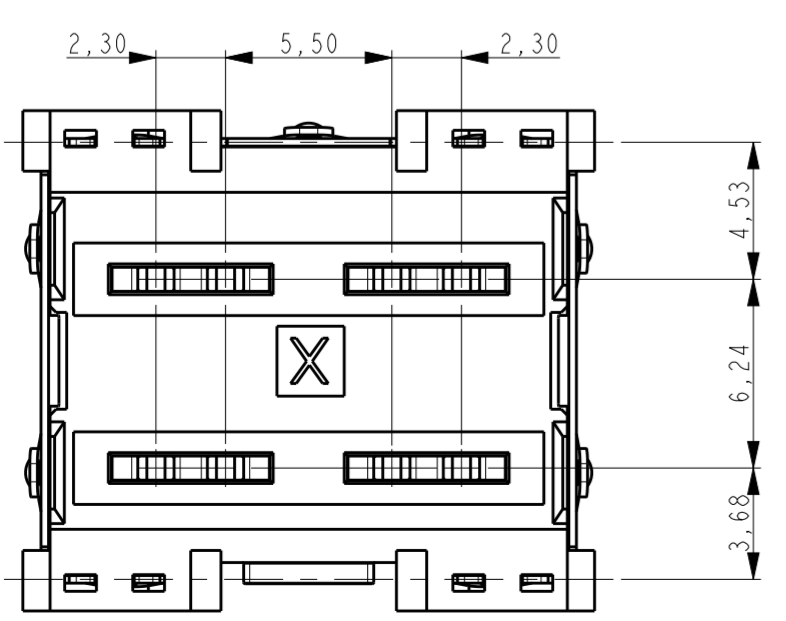
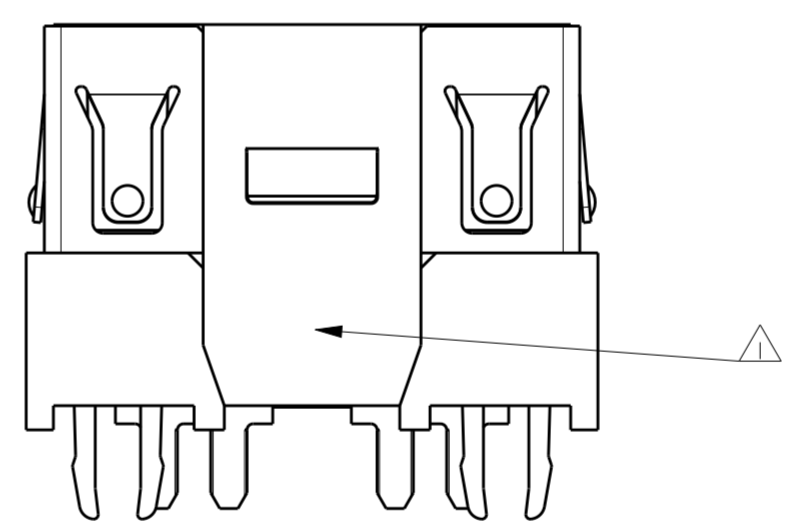
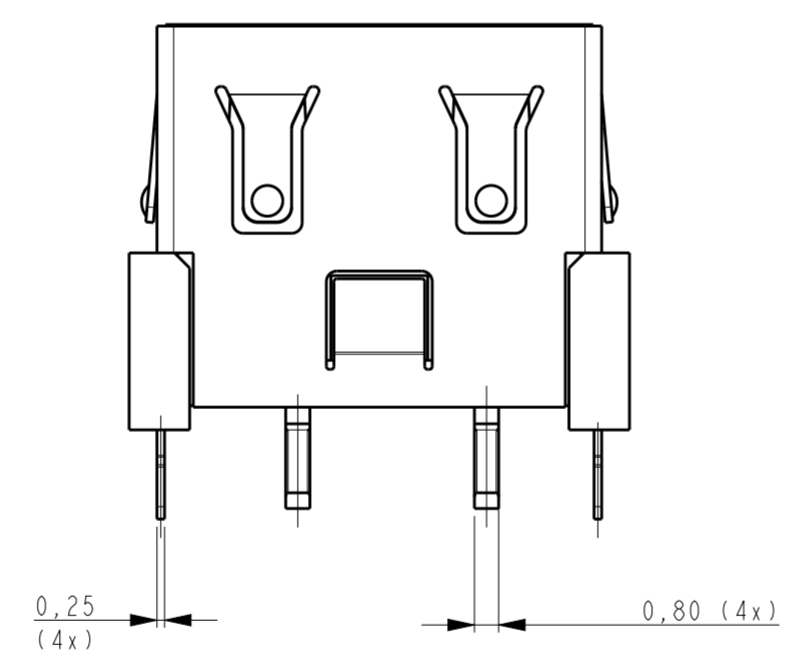
NOTES:  
 △ PRINTING PARTNUMBER AND DATE CODE:  
 2173211-x(x=1,2,3...)  
 YYWW



SCALE 4:1  
 PARTNUMBER 2173211-1 AS SHOWN



SEE DETAIL A RECOMMENDED PCB LAY-OUT (MOUNTING SIDE)



| QTY | DESCRIPTION                           | MATERIAL       | FINISH                       | ITEM NO. |
|-----|---------------------------------------|----------------|------------------------------|----------|
| -   | 1 PICK&PLACE ADAPTOR / PROTECTION CAP | POLYAMIDE      | NOT APPLICABLE               | 4        |
| 1   | 1 SHIELD                              | COPPER ALLOY   | PLATING: Sn OVER Ni          | 3        |
| 4   | - CONTACT POWER TAB, PRESS FIT        | COPPER ALLOY   | 3,0 $\mu$ m Ag MIN ALL OVER. | 2        |
| -   | 4 CONTACT POWER TAB, SOLDER           | COPPER ALLOY   | 3,0 $\mu$ m Ag MIN ALL OVER. | 2        |
| 1   | 1 HOUSING                             | LCP GF UL94V-0 | NOT APPLICABLE               | 1        |
| -2  | -1                                    |                |                              |          |

THIS DRAWING IS A CONTROLLED DOCUMENT.

|             |  |                  |            |
|-------------|--|------------------|------------|
| DIMENSIONS: | TOLERANCES UNLESS OTHERWISE SPECIFIED: | DWN              | 2 FEB 2012 |
| mm          | 0 PLC $\pm 0,2$                        | CHK              | J. Smits   |
|             | 1 PLC $\pm 0,1$                        | CHK              | B. Mooij   |
|             | 2 PLC $\pm 0,1$                        | APVD             | T. D. BOER |
|             | 3 PLC $\pm 0,1$                        | PRODUCT SPEC     | 108-19429  |
|             | 4 PLC $\pm$                            | APPLICATION SPEC | 114-32039  |
| MATERIAL    | FINISH                                 | WEIGHT           |            |

CUSTOMER DRAWING

SCALE 3:1 SHEET 1 OF 1 REV B

STE TE Connectivity  
 ELCON Mini, 4-position vertical header, unshielded