



Chipsmall Limited consists of a professional team with an average of over 10 year of expertise in the distribution of electronic components. Based in Hongkong, we have already established firm and mutual-benefit business relationships with customers from,Europe,America and south Asia,supplying obsolete and hard-to-find components to meet their specific needs.

With the principle of “Quality Parts,Customers Priority,Honest Operation,and Considerate Service”,our business mainly focus on the distribution of electronic components. Line cards we deal with include Microchip,ALPS,ROHM,Xilinx,Pulse,ON,Everlight and Freescale. Main products comprise IC,Modules,Potentiometer,IC Socket,Relay,Connector.Our parts cover such applications as commercial,industrial, and automotives areas.

We are looking forward to setting up business relationship with you and hope to provide you with the best service and solution. Let us make a better world for our industry!



Contact us

Tel: +86-755-8981 8866 Fax: +86-755-8427 6832

Email & Skype: info@chipsmall.com Web: www.chipsmall.com

Address: A1208, Overseas Decoration Building, #122 Zhenhua RD., Futian, Shenzhen, China



4

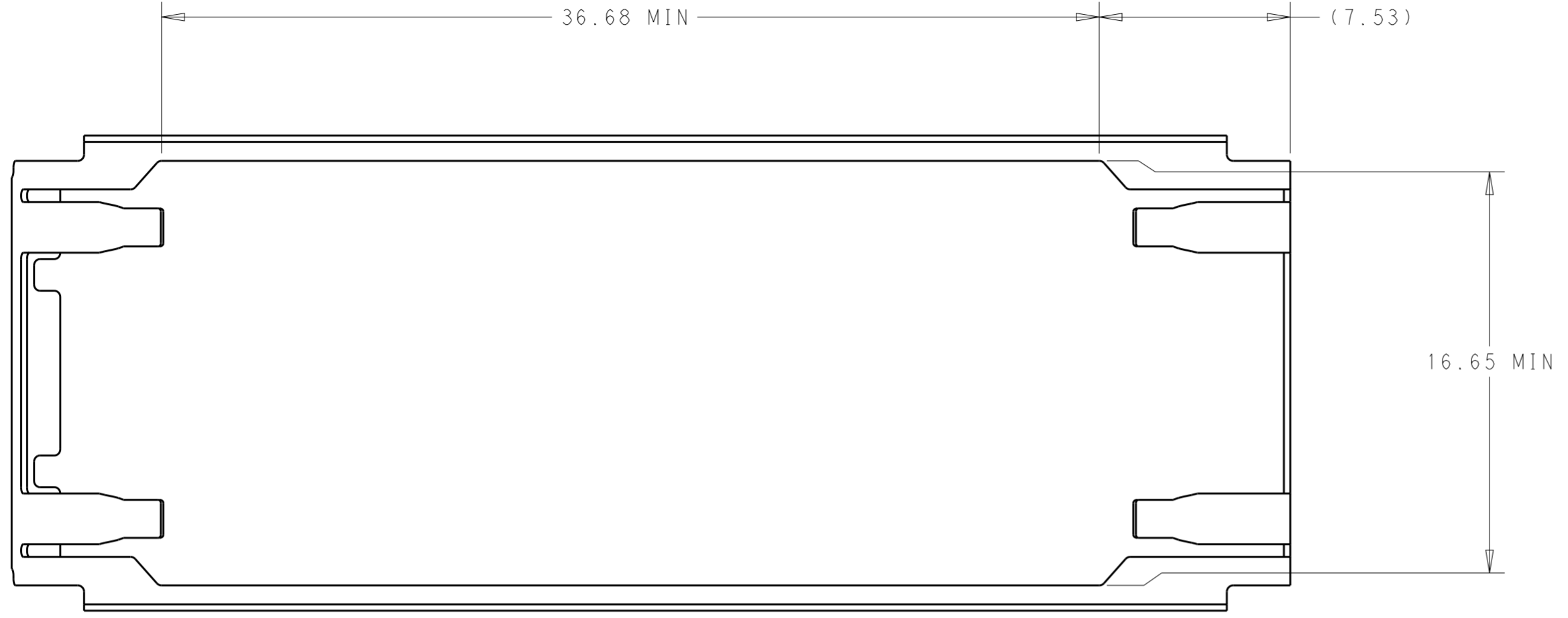
3

2

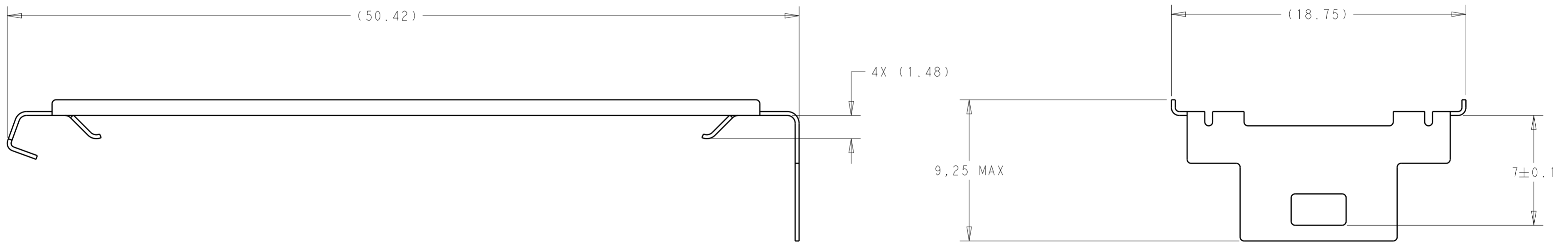
1

THIS DRAWING IS UNPUBLISHED. RELEASED FOR PUBLICATION
 © COPYRIGHT - BY TYCO ELECTRONICS CORPORATION ALL RIGHTS RESERVED.

LOC	DIST	REVISIONS					
GP	00	P	LTR	DESCRIPTION	DATE	DWN	APVD
		A		RELEASED PER ECO-13-000076	17JAN2013	CJV	EDB



△ MATERIAL: 0.25±0.1 THICK PASSIVATED STAINLESS STEEL.



2173234-1
PART NUMBER

THIS DRAWING IS A CONTROLLED DOCUMENT. DIMENSIONING AND TOLERANCING PER ASME Y14.5M-2009		DWN J. V. D. HEIJDEN 12AUG2011	STE TE Connectivity	
DIMENSIONS: mm		CHK R. VERBEET 12AUG2011		
TOLERANCES UNLESS OTHERWISE SPECIFIED:		APVD I. D. BOER 15AUG2011	NAME HEAT SINK CLIP, zQSFP+	
0 PLC ±	1 PLC ±	PRODUCT SPEC 108- - - -	SIZE CAGE CODE DRAWING NO RESTRICTED TO	
2 PLC ±	3 PLC ±	APPLICATION SPEC 114- - - -	A200779 C-2173234	
4 PLC ±	ANGLES ±	WEIGHT -	SCALE 5:1 SHEET 1 OF 1 REV A	
MATERIAL △ 1 -	FINISH -	CUSTOMER DRAWING		